

eF Series® Turbo Ultra High Efficiency Commercial Gas Water Heater

Features

- **ENERGY STAR® Certified.**
 - **Thermal Efficiency up to 97%**—Ultra High Efficiency results in less fuel consumption and greater hot water recovery.
- **Modulating Down-Fired Premix Power Burner**—A self compensating negative regulation system automatically increases or decreases fuel flow when a change in combustion air is detected. This provides the range for optimum combustion and efficiency with up to 6:1 Turn Down Ratio.
 - **High Altitude SKUs Available**—For installs between 2000-7800 ft. (610-2,377m) above sea level.
- **Three-Pass Fire Tube Heat Exchanger System**—Keeps the hot combustion gases moving at a high velocity. Turbo flues within the heat exchanger create superior conduction paths for heat transfer and turbulate the combustion gases to heat water faster and more efficiently.
- **Advanced Control**—Intelligent proven design combines temperature control, diagnostic codes, and system ignition functions with a digital LCD display.
 - **BMS Integration**—Modbus & BACnet® compatible via gateway kit.
- **Vitraglas® Lining with Microban®**—An exclusively engineered enamel formula that provides superior tank protection from the corrosive effects of water; and with Microban® antimicrobial product protection to help prevent the growth of bacteria, mold and mildew on the surface of the tank lining.
- **Protective Powered Anodes**—Two anode rods provide added protection against corrosion for long-term, trouble-free service.
- **Venting Versatility**—The eF Series® can vent vertically or horizontally with 4" or 6" (102mm or 152mm) PVC, CPVC, Polypropylene, Stainless Steel, or ABS vent pipe, and is approved for direct vent closed combustion applications, or those applications that require inside air for combustion. The eF Series® Turbo is also approved for unbalanced venting, which means the air intake pipe doesn't have to be vented the same distance as the exhaust. Common vent kits available.



Photo is of CGT120T4003NA



3 or 5-Year Limited Tank Warranties / 1-Year Limited Warranty on Component Parts.

For more information on warranty, please visit www.bradfordwhite.com

For products installed in USA, Canada, and Puerto Rico. See complete copy of the warranty included with the heater for limitations.

Microban® antimicrobial product protection helps prevent the growth of bacteria, mold and mildew that may affect the product. The built-in antimicrobial properties do not protect users or others from disease-causing organisms. Microban® is a registered trademark of Microban Products Company.

eF Series® Turbo Ultra High Efficiency Commercial Gas Water Heater



Additional Details

- **Ultra Quiet Operation.**
- **Complies with the latest ultra-low NOx requirement (14 ng/J NOx limit for natural gas and 77ppm NOx limit for liquid propane).**
- **ASME Construction Standard on All Models.**
- **Zero Inch Clearance.**
- **Hand Hole Cleanout.**
- **T&P Relief Valve—Installed.**
- **1" (25mm) NPT Side Connection for Space Heating.**
- **Low Restrictive Brass Drain Valve—Durable tamper proof design.**
- **Hot Surface Ignition—For improved operational dependability and durability.**
- **Sanitizing Capability—Temperature setting up to 181°F (83°C).**
- **E.C.O.—A manual reset Energy Cut Off (E.C.O) shuts off all gas in the event of an overheat condition.**
- **Submerged Combustion Chamber—Minimizes radiant heat loss for better efficiency.**

eF Series® Optional Equipment Features:

BACnet®/Modbus Gateway Kit:	415-56278-00
Optional Condensate Neutralizer Kit:	A2123609
Common Vent Exhaust Kit - Polypropylene, 2 units:.....	415-56703-01
Common Vent Exhaust Kit - Polypropylene, 3 units:.....	415-56703-02

eF Series® Turbo Models

NATURAL AND LIQUID PROPANE GAS

These water heaters meet or exceed all or portions of (where applicable) the minimum efficiency requirements of ASHRAE Standard 90.1 (latest edition).

Model Number	Rated Nominal Volume		Input		Therm. Eff.	Model Number	Rated Nominal Volume		Input		Therm. Eff.
	U.S. Gal.	Imp. Gal.	BTU/Hr. Input		%		Liters	kW/Hr. Input		%	
★ CGT120T4003NA	125	104	399,999		97.0	★ CGT120T4003NA	473	117.2		97.0	
★ CGT120T5003NA	125	104	500,000		96.0	★ CGT120T5003NA	473	146.5		96.0	

Model Number	A Floor to Top of Heater in.	B Jacket Dia. in.	C Floor to Hot Water Conn. in.	D Floor to Cold Water Conn. in.	E Floor to Gas Conn. in.	F Floor to Top of Exhaust Conn. in.	G Floor to T&P Conn. in.	H Floor to Air Intake Conn. in.	J Floor to Return Conn. in.	K Depth in.	Water Conn. Dia. in.	Air Intake/Exhaust Conn. Dia. in.	Gas Conn. Dia. in.	Relief Valve Conn. in.	Approx. Shipping Weight lbs.
★ CGT120T4003NA	78½	32	62¾	117/16	74 1/8	12	61 11/16	74 3/8	36 5/16	37	2	4	1½	1	1,100
★ CGT120T5003NA	78½	32	62¾	117/16	74 1/8	12	61 11/16	74 3/8	36 5/16	37	2	4	1½	1	1,100

Model Number	A Floor to Top of Heater mm.	B Jacket Dia. mm.	C Floor to Hot Water Conn. mm.	D Floor to Cold Water Conn. mm.	E Floor to Gas Conn. mm.	F Floor to Top of Exhaust Conn. mm.	G Floor to T&P Conn. mm.	H Floor to Air Intake Conn. mm.	J Floor to Return Conn. mm.	K Depth mm.	Water Conn. Dia. mm.	Air Intake/Exhaust Conn. Dia. mm.	Gas Conn. Dia. mm.	Relief Valve Conn. mm.	Approx. Shipping Weight kgs.
★ CGT120T4003NA	1994	813	1595	291	1890	305	1567	1890	922	940	51	102	38	25	500
★ CGT120T5003NA	1994	813	1595	291	1890	305	1567	1890	922	940	51	102	38	25	500

For propane gas models change suffix "N" to "X". **Example:** CGT-120T-400-3XA

A ASME - All models are available with ASME construction. **Example:** CGT-120T-500-3NA

For 5 year warranty models, change suffix "3" to "5" **Example:** CGT-120T-500-5NA

For high altitude models, add "-807" to the end of the model number. **Example:** CGT-120T-500-3NA-807

All models comply with the latest ultra-low NOx requirements of 14 ng/J or less for natural gas and 77ppm NOx or less for liquid propane.

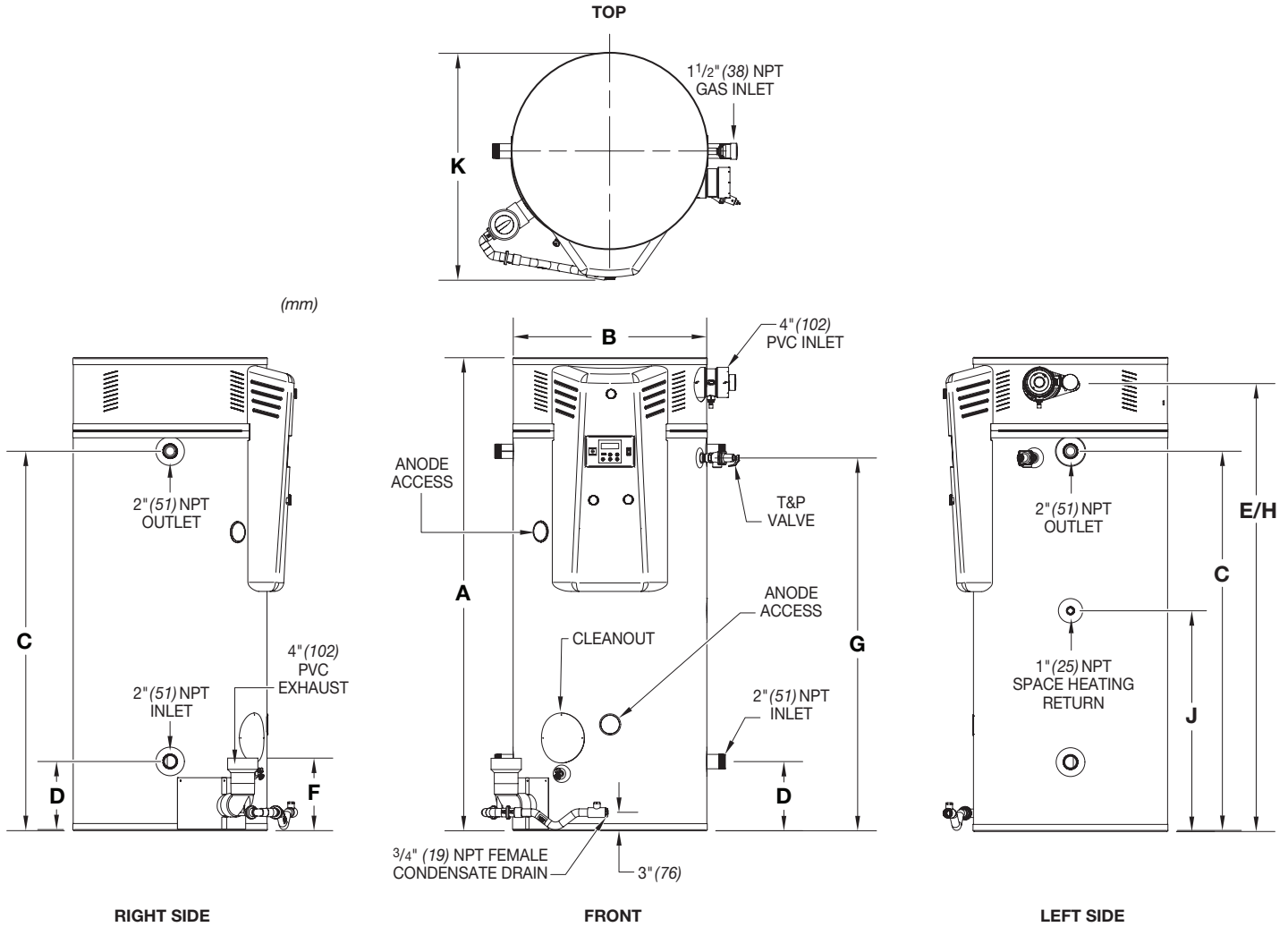
14.0" (356mm) w.c. maximum static, 3.5" (89mm) w.c. minimum running (NG) & 8" (203mm) w.c. minimum running (LP).

The water heater must be wired to 120VAC, 60Hz, 15A power supply.

★ = ENERGY STAR® Qualified.



eF Series® Turbo Ultra High Efficiency Commercial Gas Water Heater

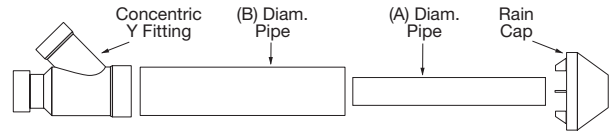
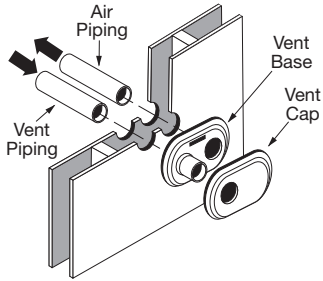


	CGT-120T-400-3NA 399,999 BTU/Hr.		CGT-120T-500-3NA 500,000 BTU/Hr.	
4 in. (102mm.) Vent Pipe	Power Vent	Power Direct Vent	Power Vent	Power Direct Vent
Max. Intake Length	N/A	50 ft. (15.24m.)	N/A	50 ft. (15.24m.)
Max. Exhaust Length	100 ft. (30.5m.)	50 ft. (15.24m.)	100 ft. (30.5m.)	50 ft. (15.24m.)
	CGT-120T-400-3NA 399,999 BTU/Hr.		CGT-120T-500-3NA 500,000 BTU/Hr.	
6 in. (152mm.) Vent Pipe	Power Vent	Power Direct Vent	Power Vent	Power Direct Vent
Max. Intake Length	N/A	120 ft. (36.6m.)	N/A	120 ft. (36.6m.)
Max. Exhaust Length	240 ft. (73.15m.)	120 ft. (36.6m.)	240 ft. (73.15m.)	120 ft. (36.6m.)

Recovery Data																								
Model Number	GPH Recovery at Degree Rise*													LPH Recovery at Degree Rise*										
	30°F	40°F	50°F	60°F	70°F	80°F	90°F	100°F	110°F	120°F	130°F	140°F	17°C	22°C	28°C	33°C	39°C	44°C	50°C	56°C	61°C	67°C	72°C	78°C
CGT-120T-400-3NA	1568	1176	941	784	672	588	523	470	428	392	362	336	5934	4451	3561	2967	2543	2225	1978	1780	1618	1484	1369	1272
CGT-120T-500-3NA	1939	1455	1164	970	831	727	646	582	529	485	448	416	7341	5506	4405	3671	3146	2753	2447	2202	2002	1835	1694	1573

* Based on manufacturer's rated recovery efficiency.

eF Series® Turbo Ultra High Efficiency Commercial Gas Water Heater



4" Concentric Vent Kits Part Identification		
Concentric Vent Size	(A)	(B)
4 in. (102mm)	4.5 in. (114mm)	6.6 in. (168mm)

Low Profile Termination Kit Model Numbers				
Description	Pipe O.D.	Hole Spacing (ctr to ctr)	IPEX System (1738 or 636)	IPEX Part Number
4" (102mm) Low Profile	4.5" (114mm) Low Profile	5.6" (142mm)	636	196986
4" (102mm) Low Profile	4.5" (114mm) Low Profile	5.6" (142mm)	1738	397086

Appliance Numbers Approved for Concentric Termination Kits				
Model	Description	Part Number	IPEX System (1738 or 636)	IPEX Part Number
CGT120T(400,500)	4" (102mm) Concentric Termination	—	636	196021 (PVC), 197021 (CPVC)
CGT120T(400,500)	4" (102mm) Concentric Termination	—	1738	397021

Sample Specification

The water heater shall be a Bradford White model CGT-_____ with a rated storage capacity of not less than _____ gallons/ liters, a minimum gas input of _____ BTU/Hr., a minimum recovery of _____ GPH/LPH at 100°F (56°C) temperature rise, and a Thermal Efficiency Rating of ____%. It shall be design certified by UL for 181°F (83°C) application, either with or without a separate storage tank. The tank shall be lined with Vitraglas® vitreous enamel with Microban® antimicrobial technology and shall have a bolted hand hole cleanout. The tank shall have two powered anode rods. The heater shall be insulated with Non-CFC foam. This water heater shall be equipped with an electronic ignition system and an ASME rated T&P relief valve. This water heater shall have a premix closed combustion system for venting 4" (102mm), or 6" (152mm) PVC, CPVC, Polypropylene, Stainless Steel, or ABS vent pipe. Common venting options with approved kits. This water heater shall be equipped with BMS integration capabilities with appropriate kit. The water heater shall be factory assembled and tested. The water heater shall be approved for zero inch clearance to combustibles. A digital LCD display shall be integrated into the front and be an adjustable electronic thermostat to any temperature up to 181°F. A recycling Energy Cut Off (E.C.O.) shuts off all gas in the event of an overheat condition. The entire installation shall be made in compliance with state and local codes and ordinances.

GENERAL:

All gas water heaters are certified at 300 PSI test pressure (2068 kPa) and 150 PSI working pressure (1034 kPa). All models design-certified by UL to ANSI standard Z21.10.3, for up to 181°F (83°C) application as an Automatic Storage Heater. As an Automatic Storage Heater, all models are complete, self-contained water heating systems. It needs no separate storage tank, pump, wiring or elaborate piping network. When equipped with a mixing valve, all models can be stored at a sanitizing temperature of 181°F (83°C) and supply lower temperature general purpose hot water simultaneously.

Dimensions and specifications subject to change without notice in accordance with our policy of continuous product improvement.



Customer Service / Sales: 1-866-690-0961 / 905-203-0600
24/7 Technical Support: 800-334-3393 • Email: TechServ@bradfordwhite.com

©2026, Bradford White Corporation, USA. All rights reserved.

C802-0326 CANADA