

Ultra Low NOx Power Direct Vent Residential Gas Water Heater

Features

- **Eco-Defender Safety System®**—Designed to be the safest & most reliable flammable vapor ignition resistant system in the industry. Featuring a primary and secondary air distribution that reduces NOx generated by combustion.
- **Bradford White ICON System®**—Intelligent gas control that eliminates constant burning pilot, saving gas during standby periods (120 VAC). Proprietary algorithms provide tighter temperature differential and consistent water temperature levels up to 160°F (70°C). LED light indicates pilot function or operation status/service required.
- **Vitraglas® Lining with Microban®**—An exclusively engineered enamel formula that provides superior tank protection from the corrosive effects of water; and with Microban® antimicrobial product protection to help prevent the growth of bacteria, mold and mildew on the surface of the tank lining.
- **Hydrojet® Total Performance System**—Sediment reducing device that also increases first hour rating of hot water while minimizing temperature build-up in tank.

Additional Details

- **Closed Combustion Venting System**—Uses external air for combustion and exhausts through a separate two-pipe system.*
- **Cast Aluminum Air Intake Boot**—Provides exceptional durability during installation and operation.
- **Optional Concentric Vent Kit Termination**—Concentric termination fitting provides for only one exit opening through a wall or roof. (Subtract 10ft. (3m) for intake pipe and 10ft. (3m) for exhaust pipe when calculating total vent length.)
- **Horizontal and Vertical Venting**—PVC, ABS, CPVC, or Polypropylene.
- **Insulation System**—Non-CFC foam covers the tank, reducing heat loss, energy consumption, and improves efficiency and jacket rigidity.
- **Water Connections**—3/4" (19mm) NPT factory-installed true dielectric fittings extend water heater life and simplify water line connections.
- **3/4" (19mm) NPT Side Connections**—(URG2PDV50H6N only).
- **Factory-Installed Heat Traps**—Incorporates a flexible disk that reduces heat loss in piping and prevents noise.
- **Protective Anode Rod**—Provides added protection against corrosion for long-term, trouble-free service.
- **T&P Relief Valve**—Installed.
- **Low Restrictive Brass Drain Valve**—Durable tamper proof design.
- **Complies with the latest Ultra Low NOx requirement (10 ng/J NOx limit).**

*Intake venting length cannot exceed exhaust venting length.



Photo is of URG2PDV50H6N



6 or 10-Year Limited Tank Warranties / 6-Year Limited Warranty on Component Parts.

For more information on warranty, please visit www.bradfordwhite.com

For products installed in USA, Canada, and Puerto Rico. See complete copy of the warranty included with the heater for limitations.

Microban® antimicrobial product protection helps prevent the growth of bacteria, mold and mildew that may affect the product. The built-in antimicrobial properties do not protect users or others from disease-causing organisms. Microban® is a registered trademark of Microban Products Company.

Ultra Low NOx Power Direct Vent Residential Gas Water Heater

SPECIFICATIONS

Natural Gas

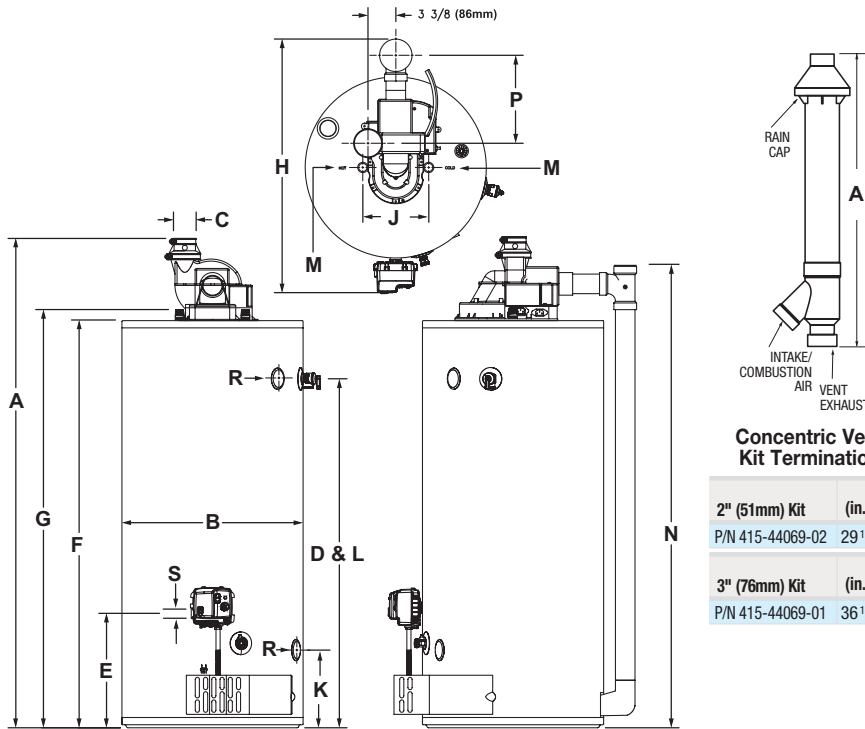
These water heaters meet or exceed all or portions of (where applicable) the minimum efficiency requirements of ASHRAE Standard 90.1 (latest edition). C.E.C. Listed. Recovery efficiency ranging up to 78%.

Model Number	Rated Nominal Volume		DOE Rated Storage Volume Gal.	First Hour Rating Gal.	Uniform Energy Factor	Recovery at 90°F Rise*		Model Number	Rated Nominal Volume		DOE Rated Storage Volume Liters	First Hour Rating Liters	Uniform Energy Factor	Recovery at 50°C Rise*	
	U.S. Gal.	Imp. Gal.				U.S. GPH	Imp. GPH		Liters	Liters				Input kW	Liters/ Hour
URG2PDV40S6N	40	33	38	40,000	75	0.70	43	36	URG2PDV40S6N	151	144	11.7	284	0.70	163
URG2PDV50S6N	50	42	48	40,000	80	0.68	43	36	URG2PDV50S6N	189	182	11.7	303	0.68	163
URG2PDV50H6N	48	40	46	50,000	82	0.68	64	45	URG2PDV50H6N	182	174	14.7	311	0.68	242

Model Number	A Floor to Exhaust Conn. in.	B Jacket Dia. in.	C Vent Size in.	D Floor to T&P Conn. in.	E Floor to Gas Conn. in.	F Floor to Top of Heater in.	G Floor to Water Conn. in.	H Depth in.	J C/L of Water Conn. in.	K Floor to Space Heating Inlet in.	L Floor to Space Heating Outlet in.	M Water Conn. NPT in.	N Floor to Air Intake in.	P C/L Distance from Intake to Exhaust in.	R Space Heating Conn. Size in.	S Gas Conn. Size in.	Approx. Shipping Weight lbs.
URG2PDV40S6N	59 7/8	22	2 or 3	42 9/16	13 15/16	49 9/16	50 15/16	32 5/16	8	N/A	N/A	3/4	59 7/16	10 1/2	3/4	1/2	170
URG2PDV50S6N	60 7/8	24	2 or 3	43 1/16	13 15/16	50 9/16	52	34 5/16	8	N/A	N/A	3/4	60 7/16	11 1/2	3/4	1/2	196
URG2PDV50H6N	69 1/16	22	3 or 4	52 5/16	13 15/16	59 9/16	50 9/16	30 7/16	11	13 13/16	52 5/16	3/4	69 3/16	8 7/8	3/4	1/2	208

Model Number	A Floor to Exhaust Conn. mm.	B Jacket Dia. mm.	C Vent Size mm.	D Floor to T&P Conn. mm.	E Floor to Gas Conn. mm.	F Floor to Top of Heater mm.	G Floor to Water Conn. mm.	H Depth mm.	J C/L of Water Conn. mm.	K Floor to Space Heating Inlet mm.	L Floor to Space Heating Outlet mm.	M Water Conn. NPT mm.	N Floor to Air Intake mm.	P C/L Distance from Intake to Exhaust mm.	R Space Heating Conn. Size mm.	S Gas Conn. Size mm.	Approx. Shipping Weight kg.
URG2PDV40S6N	1521	559	51 or 76	1081	354	1259	1294	821	203	N/A	N/A	19	1510	267	19	13	77
URG2PDV50S6N	1546	610	51 or 76	1094	354	1284	1321	872	203	N/A	N/A	19	1535	292	19	13	89
URG2PDV50H6N	1754	559	76 or 102	1329	354	1513	1275	773	279	351	1329	19	1757	225	19	13	94

Available in Natural Gas only. For 10 year model, change suffix "6" to "10". *Based on manufacturer's rated recovery efficiency. 110 VAC Required for Power Venting / 110 VAC, 60Hz., 3.1 Amperes. Uniform Energy Factor and First Hour Rating is based on the latest AHRI directory listings.



Concentric Vent Kit Termination

2" (51mm) Kit	A (in.) (mm)
P/N 415-44069-02	29 1/4 743
3" (76mm) Kit	A (in.) (mm)
P/N 415-44069-01	36 1/4 921

2" (51mm) Vent Pipe	URG2PDV40S6N URG2PDV50S6N
Max. Intake Length	35 ft. 10.7m
Max. Exhaust Length	35 ft. 10.7m
Min. Vent Length	7 ft. 2.1m
Number of 90° Elbows	1 30 ft. 9.1m 2 25 ft. 7.6m 3 20 ft. 6.1m

3" (76mm) Vent Pipe	URG2PDV40S6N URG2PDV50S6N	URG2PDV50H6N
Max. Intake Length	85 ft. 26.0m	60 ft. 18.3m
Max. Exhaust Length	85 ft. 26.0m	60 ft. 18.3m
Min. Vent Length	7 ft. 2.1m	7 ft. 2.1m
Number of 90° Elbows	1 80 ft. 24.4m 2 75 ft. 23.0m 3 70 ft. 21.3m	55 ft. 16.8m 50 ft. 15.2m 45 ft. 13.7m

4" (102mm) Vent Pipe	URG2PDV50H6N
Max. Intake Length	100 ft. 30.5m
Max. Exhaust Length	100 ft. 30.5m
Min. Vent Length	7 ft. 2.1m
Number of 90° Elbows	1 95 ft. 29.0m 2 90 ft. 27.4m 3 85 ft. 26.0m

Subtract 5ft. (1.5m) for each additional 90° elbow.

GENERAL:

All gas water heaters are certified at 300 PSI test pressure (2068 kPa) and 150 PSI working pressure (1034 kPa). All water connections are 3/4" NPT (19mm). All gas connections are 1/2" (13mm). All models design-certified by CSA International (formerly AGA/CGA) to ANSI standard Z21.10.1.

Suitable for Water (Potable) Heating and Space Heating. Toxic chemicals, such as those used for boiler treatment, shall NEVER be introduced into this system. This unit may NEVER be connected to any existing heating system or component(s) previously used with a non-potable water heating appliance.

Dimensions and specifications subject to change without notice in accordance with our policy of continuous product improvement.



Sales: 800-523-2931

24/7 Technical Support: 800-334-3393 • Email TechServ@bradfordwhite.com

Products made by Bradford White are manufactured in America using the finest materials and components from around the world. ©2024, Bradford White Corporation, USA. All rights reserved.

