

Atmospheric Vent Fan Assist Residential Gas Water Heater

Features

- **Defender Safety System**®—Designed to be the safest & most reliable flammable vapor ignition resistant system in the industry with a proven track record since 2003. Featuring an advanced ScreenLok® technology flame arrestor design, flammable vapor sensor, sight window, and designed to be maintenance-free.
- **Bradford White ICON System**®—Intelligent gas control that eliminates constant burning pilot, saving gas during standby periods (120 VAC). Proprietary algorithms provide tighter temperature differential and consistent water temperature levels up to 160°F (70°C). LED light indicates pilot function or operation status/service required.
- **Vitraglas**® Lining with **Microban**®—An exclusively engineered enamel formula that provides superior tank protection from the corrosive effects of water; and with Microban® antimicrobial product protection to help prevent the growth of bacteria, mold and mildew on the surface of the tank lining.
- **Hydrojet**® Total Performance System—Sediment reducing device that also increases first hour rating of hot water while minimizing temperature build-up in tank.

Additional Details

- **Insulation System**—Non-CFC foam covers the tank, reducing heat loss, energy consumption, and improves efficiency and jacket rigidity.
- **High Efficiency Blower**—Pulls air through a tightly restricted baffle system resulting in increased water heater efficiency ratings.
- **Pedestal Base**—Rugged and durable base allows easy transport and positioning while providing corrosion-resistant contact with floor.
- **Water Connections**—3/4" (19mm) NPT factory-installed true dielectric fittings extend water heater life and simplify water line connections.
- **Factory-Installed Heat Traps**—Design incorporates a flexible disk that reduces heat loss in piping and eliminates the potential for noise generation.
- **Protective Anode Rod**—Provides added protection against corrosion for long-term, trouble-free service.
- **3x4 "Snap Lock" Draft Diverter**—Allows 3" (76mm) or 4" (102mm) vent connections.
- **T&P Relief Valve**—Installed.
- **Low Restrictive Brass Drain Valve**—Durable tamper proof design.
- **NOx Emissions**—Less than 40 ng/J.



Photo is of RG2F40S6N

Bradford White
DEFENDER
Safety System

BRADFORD WHITE
ICON
System

VITRAGLAS
SUPERIOR PROTECTION SINCE 1981
+
MICROBAN

Hydrojet



6 or 10-Year Limited Tank Warranties / 6-Year Limited Warranty on Component Parts.

For more information on warranty, please visit www.bradfordwhite.com

For products installed in USA, Canada, and Puerto Rico. See complete copy of the warranty included with the heater for limitations.

Microban® antimicrobial product protection helps prevent the growth of bacteria, mold and mildew that may affect the product. The built-in antimicrobial properties do not protect users or others from disease-causing organisms. Microban® is a registered trademark of Microban Products Company.

Atmospheric Vent Fan Assist Residential Gas Water Heater

SPECIFICATIONS

Natural Gas and Liquid Propane Gas

These water heaters meet or exceed all or portions of (where applicable) the minimum efficiency requirements of ASHRAE Standard 90.1 (latest edition), C.E.C. Listed, 78% Recovery Efficiency.

Model Number	Nominal Gal. Capacity		DOE Rated Storage Volume Gal.	BTU/Hr. Input	LP BTU/Hr. Input	First Hour Rating Gal.	Uniform Energy Factor	Recovery at 90°F Rise*				Model Number	Nominal Liter Capacity		DOE Rated Storage Volume Liters	kW Input	LP kW Input	First Hour Rating Liters	Uniform Energy Factor	Recovery at 50°C Rise*	
	U.S. Gal.	Imp. Gal.						U.S. GPH	Imp. GPH	U.S. GPH	LP GPH		U.S. GPH	Imp. GPH						U.S. GPH	Imp. GPH
RG2F40S6N	40	33	38	38,000	38,000	75	0.70	41	33	40	33	RG2F40S6N	151	144	11.1	11.1	284	0.70	155	151	
RG2F50S6N	50	42	48	38,000	38,000	76	0.68	41	33	40	33	RG2F50S6N	189	182	11.1	11.1	288	0.68	155	151	

Model Number	A Floor to Exhaust Conn. in.	B Jacket Dia. in.	C Vent Size in.	D Floor to T&P Conn. in.	E Floor to Gas Conn. in.	F Floor to Top of Heater in.	G Floor to Water Conn. in.	H Depth in.	J C/L of Water Conn. in.	M Water Conn. NPT in.	S Gas Conn. Size in.	Approx. Shipping Weight lbs.
RG2F40S6N	54 1/4	22	3 or 4	40	13	47	47 7/8	25 7/8	8	3/4	1/2	150
RG2F50S6N	55 1/4	24	3 or 4	40 5/8	13	48	48 7/8	27 7/8	8	3/4	1/2	176

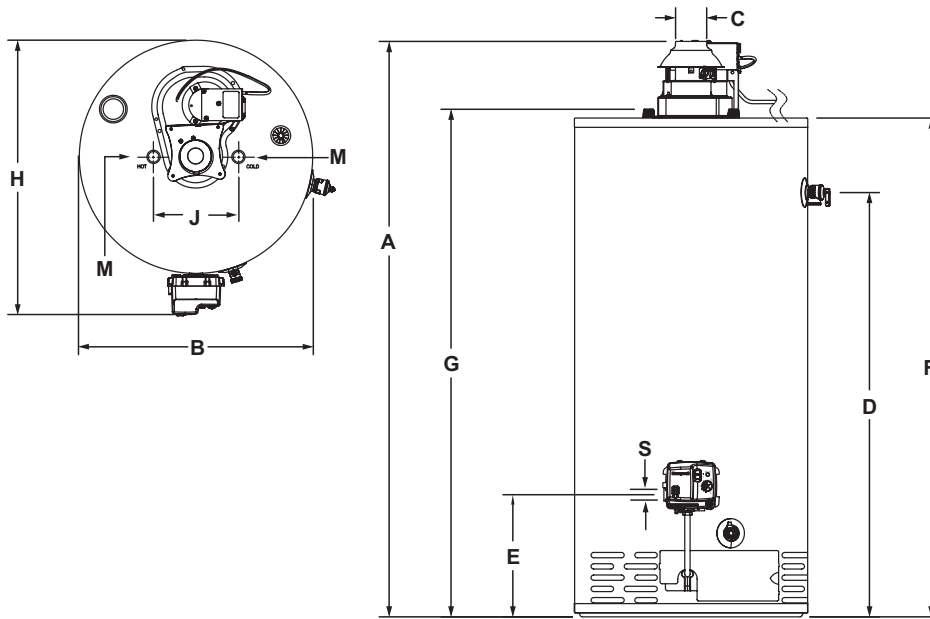
Model Number	A Floor to Exhaust Conn. mm.	B Jacket Dia. mm.	C Vent Size mm.	D Floor to T&P Conn. mm.	E Floor to Gas Conn. mm.	F Floor to Top of Heater mm.	G Floor to Water Conn. mm.	H Depth mm.	J C/L of Water Conn. mm.	M Water Conn. NPT mm.	S Gas Conn. Size mm.	Approx. Shipping Weight kg.
RG2F40S6N	1378	559	76 or 102	1016	330	1194	1216	657	203	19	13	68
RG2F50S6N	1403	610	76 or 102	1032	330	1219	1241	708	203	19	13	80

Propane models feature a Titanium Stainless Steel propane burner. For Propane (LP) models change suffix "N" to "X".

For 10 year models, change suffix from "6" to "10".

* Based on manufacturer's rated recovery efficiency. 120V, 60Hz., 1 Amp.

Uniform Energy Factor and First Hour Rating is based on the latest AHRI directory listings.



GENERAL:

Meets NAECA Requirements. All gas water heaters are certified at 300 PSI test pressure (2068 kPa) and 150 PSI working pressure (1034 kPa). All potable water connections are 3/4" NPT (19mm) on 8" (203mm) centers. All models design-certified by CSA International (formerly AGA/CGA), ANSI Z21.10.1 and peak performance rated.

Suitable for Water (Potable) Heating and Space Heating. Toxic chemicals, such as those used for boiler treatment, shall NEVER be introduced into this system. This unit may NEVER be connected to any existing heating system or component(s) previously used with a non-potable water heating appliance.

Dimensions and specifications subject to change without notice in accordance with our policy of continuous product improvement.



Sales: 800-523-2931

24/7 Technical Support: 800-334-3393 • Email TechServ@bradfordwhite.com

Products made by Bradford White are manufactured in America using the finest materials and components from around the world. ©2024, Bradford White Corporation, USA. All rights reserved.



1124-1224