

Ultra Low NOx High Input Residential Gas Water Heater

Features

- **Eco-Defender Safety System^{®*}**—Designed to be the safest & most reliable flammable vapor ignition resistant system in the industry. Featuring an advanced ScreenLok[®] technology flame arrestor design, primary and secondary air distribution that reduces NOx generated by combustion, resettable thermal switch, sight window, and designed to be maintenance-free.
- **Bradford White ICON System[®]**—Intelligent gas control with no need for external electricity. Proprietary algorithms provide tighter temperature differential and consistent water temperature levels up to 160°F (70°C). LED light indicates operation status/service required.
- **Vitraglas[®] Lining with Microban[®]**—An exclusively engineered enamel formula that provides superior tank protection from the corrosive effects of water; and with Microban[®] antimicrobial product protection to help prevent the growth of bacteria, mold and mildew on the surface of the tank lining.
- **Hydrojet[®] Total Performance System**—Sediment reducing device that also increases first hour rating of hot water while minimizing temperature build-up in tank.

Additional Details

- **Insulation System**—Non-CFC foam covers the tank, reducing heat loss, energy consumption, and improves efficiency and jacket rigidity.
- **Water Connections**—Factory-installed true dielectric waterways extend water heater life and simplify water line connections.
- **Pedestal Base**—Rugged and durable base allows easy transport and positioning while providing corrosion-resistant contact with floor (URG250H6N / URG275H6N only).
- **Factory-Installed Heat Traps**—Incorporates a flexible disk that reduces heat loss in piping and prevents noise.
- **Protective Anode Rod**—Provides added protection against corrosion for long-term, trouble-free service.
- **4" (107mm) "Snap Lock" Draft Diverter.**
- **T&P Relief Valve**—Installed.
- **Low Restrictive Brass Drain Valve**—Durable tamper proof design.
- **Design Certified by CSA International (formerly AGA/CGA).**
- **URG250H6N complies with the latest Ultra Low NOx requirement (10 ng/J NOx limit). URG275H6N / URG2100H6N comply with (14 ng/J NOx limit).**

*URG250H6N only.



Photo is of URG250H6N



6 or 10-Year Limited Tank Warranties / 6-Year Limited Warranty on Component Parts.

For more information on warranty, please visit www.bradfordwhite.com

For products installed in USA, Canada, and Puerto Rico. See complete copy of the warranty included with the heater for limitations.

Microban[®] antimicrobial product protection helps prevent the growth of bacteria, mold and mildew that may affect the product. The built-in antimicrobial properties do not protect users or others from disease-causing organisms. Microban[®] is a registered trademark of Microban Products Company.

Ultra Low NOx High Input Residential Gas Water Heater

SPECIFICATIONS HIGH INPUT MODELS

Natural Gas

These water heaters meet or exceed all or portions of (where applicable) the minimum efficiency requirements of ASHRAE Standard 90.1 (latest edition). C.E.C. Listed. Recovery efficiency ranging up to 79%.

Model Number	Nominal Gal. Capacity		DOE Rated Storage Volume (Gal.)	Input BTU/Hr.	First Hour Rating (Gal.)	Uniform Energy Factor	Recovery at 90°F Rise*		Model Number	Nominal Liter Capacity	DOE Rated Storage Volume (Liters)	Input kW	First Hour Rating (Liters)	Uniform Energy Factor	Recovery at 50°C Rise*
	U.S. Gal.	Imp. Gal.					U.S. GPH	Imp. GPH							
URG250H6N	48	40	46	55,000	110	0.64	59	49	URG250H6N	182	174	16.1	417	0.64	223
URG275H6N	75	62	72	76,000	135	0.59	82	68	URG275H6N	284	273	22.3	512	0.59	310
URG2100H6N	100	83	95	80,000	157	0.57	85	71	URG2100H6N	379	360	23.4	595	0.57	322

Model Number	A	B	C	D	E	F	G	H	J	K	L	M	R	S	Approx. Shipping Weight
	Floor to Flue Conn. in.	Jacket Dia. in.	Vent Size in.	Floor to T&P Conn. in.	Floor to Gas Conn. in.	Floor to Top of Heater in.	Floor to Water Conn. in.	Depth in.	C/L of Water Conn. in.	Floor to Space Heating Inlet in.	Floor to Space Heating Outlet in.	Water Conn. NPT in.	Space Heating Conn. Size in.	Gas Conn. Size in.	
URG250H6N	60 ³ / ₈	22	4	49 ⁷ / ₈	11 ⁷ / ₁₆	56 ³ / ₄	58 ¹ / ₁₆	25 ³ / ₈	11	13 ³ / ₈	49 ⁷ / ₈	3/4	3/4	1/2	194
URG275H6N	64 ¹ / ₄	26	4	53 ³ / ₈	15 ¹ / ₈	60 ⁵ / ₁₆	61 ³ / ₄	29 ³ / ₈	11	16 ¹¹ / ₁₆	53 ³ / ₈	1	3/4	1/2	286
URG2100H6N	69 ³ / ₈	28 ¹ / ₄	4	60 ³ / ₈	16 ¹ / ₂	66 ¹ / ₂	68 ⁵ / ₈	31 ³ / ₄	16	18 ³ / ₄	51 ¹¹ / ₁₆	1 ¹ / ₄	3/4	1/2	416

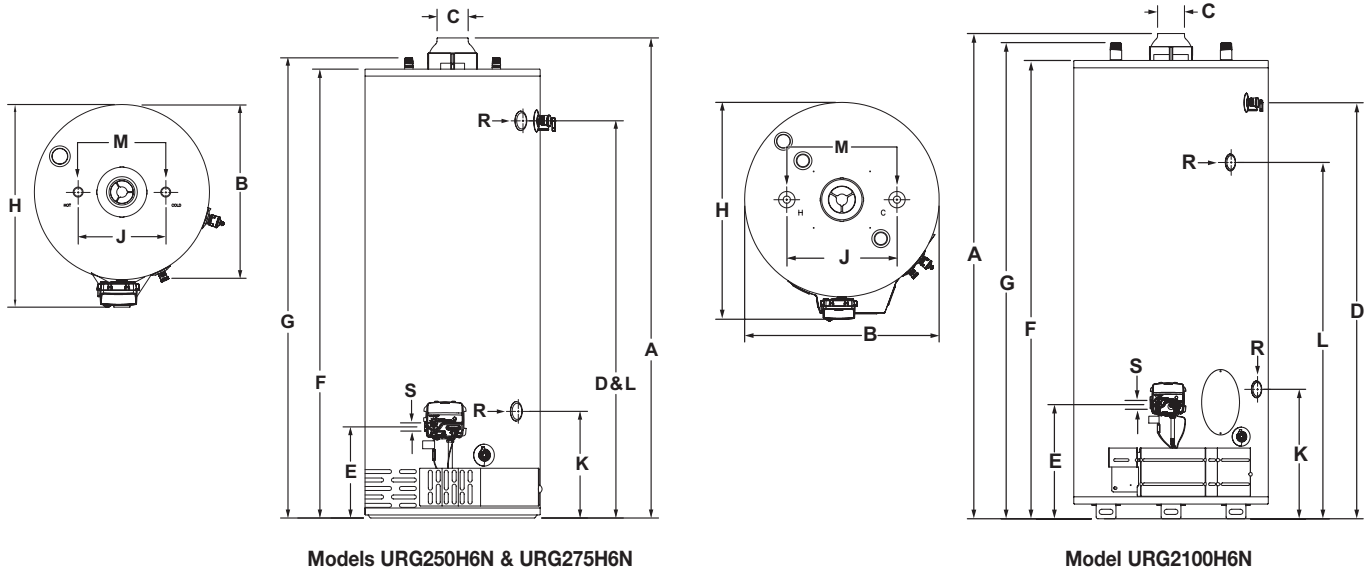
Model Number	A	B	C	D	E	F	G	H	J	K	L	M	R	S	Approx. Shipping Weight
	Floor to Flue Conn. mm.	Jacket Dia. mm.	Vent Size mm.	Floor to T&P Conn. mm.	Floor to Gas Conn. mm.	Floor to Top of Heater mm.	Floor to Water Conn. mm.	Depth mm.	C/L of Water Conn. mm.	Floor to Space Heating Inlet mm.	Floor to Space Heating Outlet mm.	Water Conn. NPT mm.	Space Heating Conn. Size mm.	Gas Conn. Size mm.	
URG250H6N	1540	559	102	1267	291	1441	1475	645	279	340	1267	19	19	13	88
URG275H6N	1638	660	102	1356	384	1532	1568	746	279	424	1356	25	19	13	130
URG2100H6N	1762	718	102	1534	419	1689	1743	806	406	476	1313	32	19	13	189

Available in Natural Gas only.

For 10 year models, change suffix from "6" to "10".

* Based on manufacturer's rated recovery efficiency.

Uniform Energy Factor and First Hour Rating is based on the latest AHRI directory listings.



GENERAL:

Meets NAECA Requirements, as applicable. All gas water heaters are certified at 300 PSI test pressure (2068 kPa) and 150 PSI working pressure (1034 kPa). All Gas Connections are 1/2" (13mm). All models design-certified by CSA International (formerly AGA/CGA), to meet ANSI standard Z21.10.3 (Z21.10.1 for 48-gallon) and peak performance rated.

Suitable for Water (Potable) Heating and Space Heating. Toxic chemicals, such as those used for boiler treatment, shall NEVER be introduced into this system. This unit may NEVER be connected to any existing heating system or component(s) previously used with a non-potable water heating appliance.

Dimensions and specifications subject to change without notice in accordance with our policy of continuous product improvement.



Sales: 800-523-2931

24/7 Technical Support: 800-334-3393 • Email TechServ@bradfordwhite.com

Products made by Bradford White are manufactured in America using the finest materials and components from around the world. ©2024, Bradford White Corporation, USA. All rights reserved.

