

# Ultra Low NOx Atmospheric Vent Residential Gas Water Heater

## Features

- **Eco-Defender Safety System®**—Designed to be the safest & most reliable flammable vapor ignition resistant system in the industry. Featuring an advanced ScreenLok® technology flame arrestor design, primary and secondary air distribution that reduces NOx generated by combustion, resettable thermal switch, sight window, and designed to be maintenance-free.
- **Bradford White ICON System®**—Intelligent gas control with no need for external electricity. Proprietary algorithms provide tighter temperature differential and consistent water temperature levels up to 160°F (70°C). LED light indicates operation status/service required.
- **Vitraglas® Lining with Microban®**—An exclusively engineered enamel formula that provides superior tank protection from the corrosive effects of water; and with Microban® antimicrobial product protection to help prevent the growth of bacteria, mold and mildew on the surface of the tank lining.
- **Hydrojet® Total Performance System**—Sediment reducing device that also increases first hour rating of hot water while minimizing temperature build-up in tank.

## Additional Details

- **Insulation System**—Non-CFC foam covers the tank, reducing heat loss, energy consumption, and improves efficiency and jacket rigidity.
- **Small Diameter Models Available**—For limited space installations.
- **Water Connections**—3/4" (19mm) NPT factory-installed true dielectric fittings extend water heater life and simplify water line connections.
- **Pedestal Base**—Rugged and durable base allows easy transport and positioning and corrosion-resistant contact with floor.
- **Factory-Installed Heat Traps**—Incorporates a flexible disk that reduces heat loss in piping and prevents noise.
- **Protective Anode Rod**—Provides added protection against corrosion for long-term, trouble-free service.
- **3x4 "Snap Lock" Draft Diverter**—Allows 3" (76mm) or 4" (102mm) vent connections with inputs of 40,000 BTU/Hr. or less. Over 40,000 BTU/Hr. has a 4" (102mm) "Snap Lock" Draft Diverter.
- **T&P Relief Valve**—Installed.
- **Low Restrictive Brass Drain Valve**—Durable tamper proof design.
- **Design Certified by CSA International (formerly AGA/CGA).**
- **Complies with the latest Ultra Low NOx requirement (10 ng/J NOx limit).**



Photo is of URG250T6N



**6 or 10-Year Limited Tank Warranties / 6-Year Limited Warranty on Component Parts.**

For more information on warranty, please visit [www.bradfordwhite.com](http://www.bradfordwhite.com)

For products installed in USA, Canada, and Puerto Rico. See complete copy of the warranty included with the heater for limitations.

Microban® antimicrobial product protection helps prevent the growth of bacteria, mold and mildew that may affect the product. The built-in antimicrobial properties do not protect users or others from disease-causing organisms. Microban® is a registered trademark of Microban Products Company.

# Ultra Low NOx Atmospheric Vent Residential Gas Water Heater

## SPECIFICATIONS

Natural Gas

These water heaters meet or exceed all or portions of (where applicable) the minimum efficiency requirements of ASHRAE Standard 90.1 (latest edition). C.E.C. Listed. Recovery efficiency ranging up to 80%.

Model Number	Nominal Gal. Capacity		DOE Rated Storage Volume (Gal.)	BTU/Hr. Input	First Hour Rating (Gal.)	Uniform Energy Factor	Recovery at 90°F Rise*		Model Number	Nominal Liter Capacity	DOE Rated Storage Volume (Liters)	kW Input	First Hour Rating (Liters)	Uniform Energy Factor	Recovery at 50°C Rise*	
	U.S. Gal.	Imp. Gal.					U.S. GPH	Imp. GPH							U.S. Gal.	Liters/ Hour
• URG130T6N	30	25	29	27,000	46	0.54	29	24	• URG130T6N	114	110	7.9	174	0.54	110	
• URG230T6N	30	25	29	32,000	60	0.60	34	28	• URG230T6N	114	110	9.4	227	0.60	129	
• URG140T6N	40	33	38	34,000	64	0.59	37	31	• URG140T6N	151	144	10.0	243	0.59	139	
• URG240T6N	40	33	38	40,000	75	0.64	43	36	• URG240T6N	151	144	11.7	284	0.64	163	
• URG240S6N	40	33	38	40,000	69	0.58	43	36	• URG240S6N	151	144	11.7	262	0.58	163	
• URG150T6N	50	42	47	34,000	75	0.63	37	31	• URG150T6N	189	178	10.0	284	0.63	139	
• URG250T6N	50	42	48	40,000	81	0.63	43	36	• URG250T6N	189	182	11.7	307	0.63	163	
URG250L6N	48	40	47	40,000	77	0.63	43	36	URG250L6N	182	178	11.7	292	0.63	163	
• URG250S6N	50	42	47	50,000	75	0.63	54	45	• URG250S6N	189	178	14.7	284	0.63	204	

Model Number	A Floor to Flue Conn. in.	B Jacket Dia. in.	C Vent Size in.	D Floor to T&P Conn. in.	E Floor to Gas Conn. in.	F Floor to Top of Heater in.	G Floor to Water Conn. in.	H Depth in.	J C/L of Water Conn. in.	M Water Conn. NPT in.	S Gas Conn. Size in.	Approx. Shipping Weight lbs.
• URG130T6N	59 <sup>31/32</sup>	16	3 or 4	50 <sup>9/32</sup>	11 <sup>7/16</sup>	56 <sup>1/3</sup>	57 <sup>1/16</sup>	20 <sup>1/16</sup>	8	3/4	1/2	112
• URG230T6N	59 <sup>27/32</sup>	18	3 or 4	49 <sup>21/32</sup>	11 <sup>7/16</sup>	56 <sup>2/9</sup>	57 <sup>1/16</sup>	21 <sup>3/16</sup>	8	3/4	1/2	119
• URG140T6N	61 <sup>1/2</sup>	18	3 or 4	59 <sup>1/2</sup>	11 <sup>7/16</sup>	57 <sup>15/16</sup>	59 <sup>1/2</sup>	22 <sup>3/16</sup>	8	3/4	1/2	130
• URG240T6N	60 <sup>9/16</sup>	20	3 or 4	56 <sup>5/8</sup>	11 <sup>7/16</sup>	56 <sup>3/4</sup>	57 <sup>3/4</sup>	23 <sup>3/16</sup>	8	3/4	1/2	137
• URG240S6N	51 <sup>3/4</sup>	22	3 or 4	47 <sup>1/4</sup>	11 <sup>7/16</sup>	48 <sup>3/16</sup>	49 <sup>7/16</sup>	25 <sup>3/16</sup>	8	3/4	1/2	149
• URG150T6N	60 <sup>9/16</sup>	20	3 or 4	56 <sup>3/8</sup>	11 <sup>7/16</sup>	56 <sup>3/4</sup>	57 <sup>7/8</sup>	24 <sup>3/16</sup>	8	3/4	1/2	153
• URG250T6N	60 <sup>9/16</sup>	22	3 or 4	57	11 <sup>7/16</sup>	56 <sup>11/16</sup>	58 <sup>1/16</sup>	25 <sup>3/8</sup>	8	3/4	1/2	160
URG250L6N	51 <sup>13/16</sup>	24	3 or 4	40 <sup>5/8</sup>	11 <sup>7/16</sup>	48 <sup>3/16</sup>	49 <sup>9/16</sup>	27 <sup>3/16</sup>	8	3/4	1/2	174
• URG250S6N	60 <sup>9/8</sup>	22	4	57	11 <sup>7/16</sup>	56 <sup>3/4</sup>	57 <sup>15/16</sup>	25 <sup>3/16</sup>	8	3/4	1/2	169

Model Number	A Floor to Flue Conn. mm.	B Jacket Dia. mm.	C Vent Size mm.	D Floor to T&P Conn. mm.	E Floor to Gas Conn. mm.	F Floor to Top of Heater mm.	G Floor to Water Conn. mm.	H Depth mm.	J C/L of Water Conn. mm.	M Water Conn. NPT mm.	S Gas Conn. Size mm.	Approx. Shipping Weight kg.
• URG130T6N	1523	406	76 or 102	1274	291	1431	1449	510	203	19	13	51
• URG230T6N	1520	457	76 or 102	1261	291	1428	1449	538	203	19	13	54
• URG140T6N	1562	457	76 or 102	1511	291	1472	1511	564	203	19	13	59
• URG240T6N	1532	508	76 or 102	1438	291	1441	1467	589	203	19	13	62
• URG240S6N	1314	559	76 or 102	1200	291	1224	1256	640	203	19	13	68
• URG150T6N	1532	508	76 or 102	1432	291	1441	1470	614	203	19	13	69
• URG250T6N	1532	559	76 or 102	1448	291	1440	1475	645	203	19	13	73
URG250L6N	1316	610	76 or 102	1032	291	1224	1259	691	203	19	13	79
• URG250S6N	1540	559	102	1448	291	1441	1471	640	203	19	13	77

Available in Natural Gas only.

For 10 year models, change suffix from "6" to "10".

\* Based on manufacturers rated recovery efficiency.

• Models feature optional top T&P location and must be specified when ordering.

Note: URG250L6N does not have top T&P option.

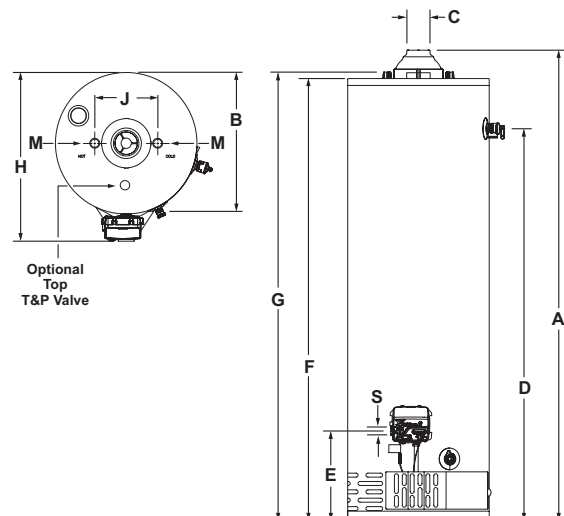
Uniform Energy Factor and First Hour Rating is based on the latest AHRI directory listings.

## GENERAL:

Meets NAECA Requirements. All gas water heaters are certified at 300 PSI test pressure (2068 kPa) and 150 PSI working pressure (1034 kPa). All water connections are 3/4" NPT (19mm) on 8" (203mm) centers. All gas connections are 1/2" (13mm). All models design-certified by CSA International (formerly AGA/CGA), to meet ANSI standard Z21.10.1 and peak performance rated.

**Dimensions and specifications subject to change without notice in accordance with our policy of continuous product improvement.**

**Suitable for Water (Potable) Heating and Space Heating.** Toxic chemicals, such as those used for boiler treatment, shall NEVER be introduced into this system. This unit may NEVER be connected to any existing heating system or component(s) previously used with a non-potable water heating appliance.



Sales: 800-523-2931

24/7 Technical Support: 800-334-3393 • Email TechServ@bradfordwhite.com

Products made by Bradford White are manufactured in America using the finest materials and components from around the world. ©2024, Bradford White Corporation, USA. All rights reserved.



1113-1224