



INTERNATIONAL ELECTRIC REPLACEMENT PARTS LIST

IEC Compliant Compact Upright/Lowboy, Utility & Wall Hung Storage Water Heaters

Models Covered:
BW45 (L, WH, U)
BW75 (L, WH, U)
BW115 (R, WH, U)

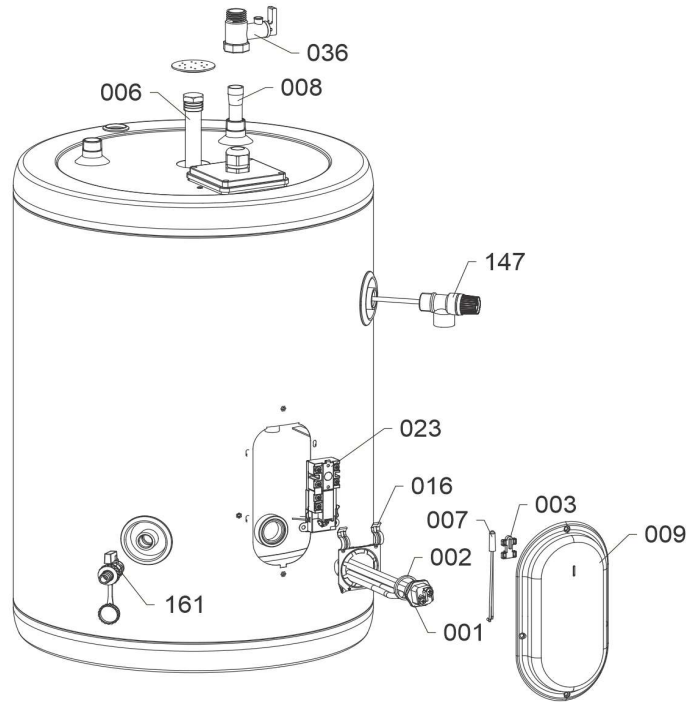


Effective: March, 2026
ECO 9017

**NOTE: BOTH MODEL AND SERIAL
NUMBERS ARE REQUIRED FOR
ORDERING REPLACEMENT PARTS**

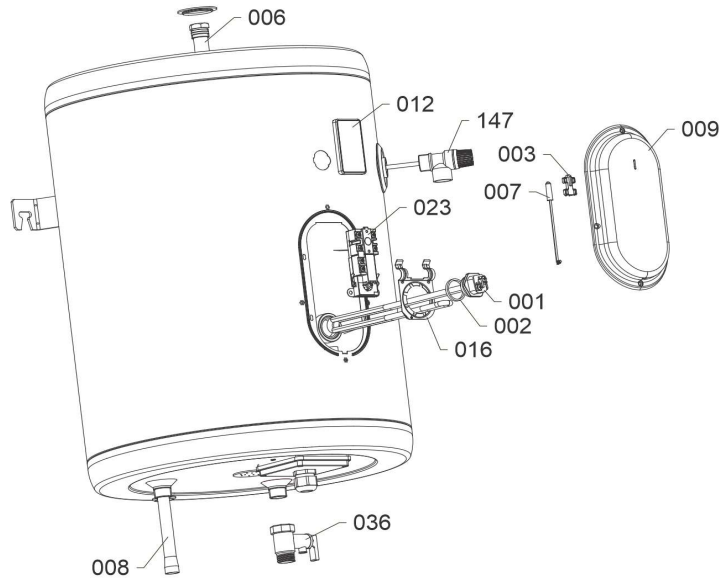
Dimensions and specifications
subject to change without notice.

Upright / Lowboy Top-Connection Models



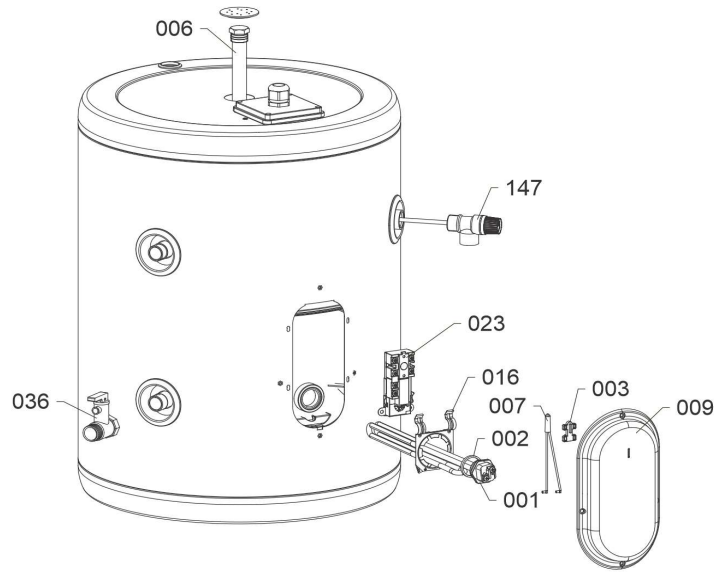
	Part Description	BW45L	BW75L	BW115R
1	HEATING ELEMENT	SEE TABLE BELOW		
2	ELEMENT GASKET	684831		
3	ELEMENT COVER LENS	845585		
6	ANODE ROD (MAGNESIUM) (mm)	102591 (G3/4 x 120LG)	102592 (G3/4 x 170LG)	102592 (G3/4 x 170LG)
7	PILOT INDICATOR LIGHT	100246		
8	HOT WATER OUTLET TUBE (mm)	471042 (18Ø x 440 LG)	418856 (18Ø x 640 LG)	321315 (18Ø x 865 LG)
9	ELEMENT COVER	102571		
16	THERMOSTAT MOUNTING BRACKET	661872		
23	THERMOSTAT W/SAFETY CUTOFF 59T/66T	100816		
36	COMBINATION PRESSURE & CHECK VALVE* (3/4-14 NPT-10 bar)	101464		
147	TEMPERATURE-PRESSURE RELIEF VALVE	103367		
161	DRAIN VALVE (G 1/2)	514178		
*-KSA & GCC models are supplied with combo P&C valve (9 bar/131 psi), not included with -EXP models. Units are not field convertible; heating elements are not interchangeable.				
		1500W	3000W	4500W
1	HEATING ELEMENT	100895	100848	100849

Wall Hung Bottom-Connection Models



	Parts Description	BW45WH	BW75WH	BW115WH
1	HEATING ELEMENT	SEE TABLE BELOW		
2	ELEMENT GASKET	684831		
3	ELEMENT COVER LENS	845585		
6	ANODE ROD (MAGNESIUM) (mm)	102591 (G3/4 x 120LG)	102592 (G3/4 x 170LG)	102592 (G3/4 x 170LG)
7	PILOT INDICATOR LIGHT	100246		
8	HOT WATER OUTLET TUBE (mm)	471042 (18Ø x 440 LG)	418856 (18Ø x 640 LG)	321315 (18Ø x 865 LG)
9	ELEMENT COVER	102571		
12	THERMOMETER	564745		
16	THERMOSTAT MOUNTING BRACKET	661872		
23	THERMOSTAT W/SAFETY CUTOUT 59T/66T	100816		
36	COMBINATION PRESSURE & CHECK VALVE* (3/4-14 NPT-10 bar)	101464		
147	TEMPERATURE-PRESSURE RELIEF VALVE	103367		
*-KSA & GCC models are supplied with combo P&C valve (9 bar/131 psi), not included with -EXP models. Units are not field convertible; heating elements are not interchangeable.				
		1500W	3000W	4500W
1	HEATING ELEMENT	100895	100848	100849

Utility Side-Connection Models



	Parts Description	BW45U	BW75U	BW115U
1	HEATING ELEMENT	SEE TABLE BELOW		
2	ELEMENT GASKET	684831		
3	ELEMENT COVER LENS	845585		
6	ANODE ROD (MAGNESIUM) (mm)	102591 (G3/4 x 120LG)	102592 (G3/4 x 170LG)	102592 (G3/4 x 170LG)
7	PILOT INDICATOR LIGHT	100246		
9	ELEMENT COVER	102571		
16	THERMOSTAT MOUNTING BRACKET	661872		
23	THERMOSTAT W/SAFETY CUTOUT 59T/66T	100816		
36	COMBINATION PRESSURE & CHECK VALVE* (3/4-14 NPT-10 bar)	101464		
147	TEMPERATURE-PRESSURE RELIEF VALVE	103367		
*-KSA & GCC models are supplied with combo P&C valve (9 bar/131 psi), not included with -EXP models. Units are not field convertible; heating elements are not interchangeable.				
		1500W	3000W	4500W
1	HEATING ELEMENT	100895	100848	100849



International

General Contact	<i>international@bradfordwhite.com</i>
Technical Support	1-888-443-4394
Email	<i>export.techsupport@bradfordwhite.com</i>
Warranty	1-800-531-2111
Email	<i>export.warranty@bradfordwhite.com</i>
Part Identification	<i>export.techsupport@bradfordwhite.com</i>
Part Orders	<i>export.po@bradfordwhite.com</i>