



## COMMERCIAL GAS REPLACEMENT PARTS LIST

### High Efficiency Commercial Gas Models



**Models Covered:**  
CGT120T400(N,X)(A)  
CGT120T500(N,X)(A)

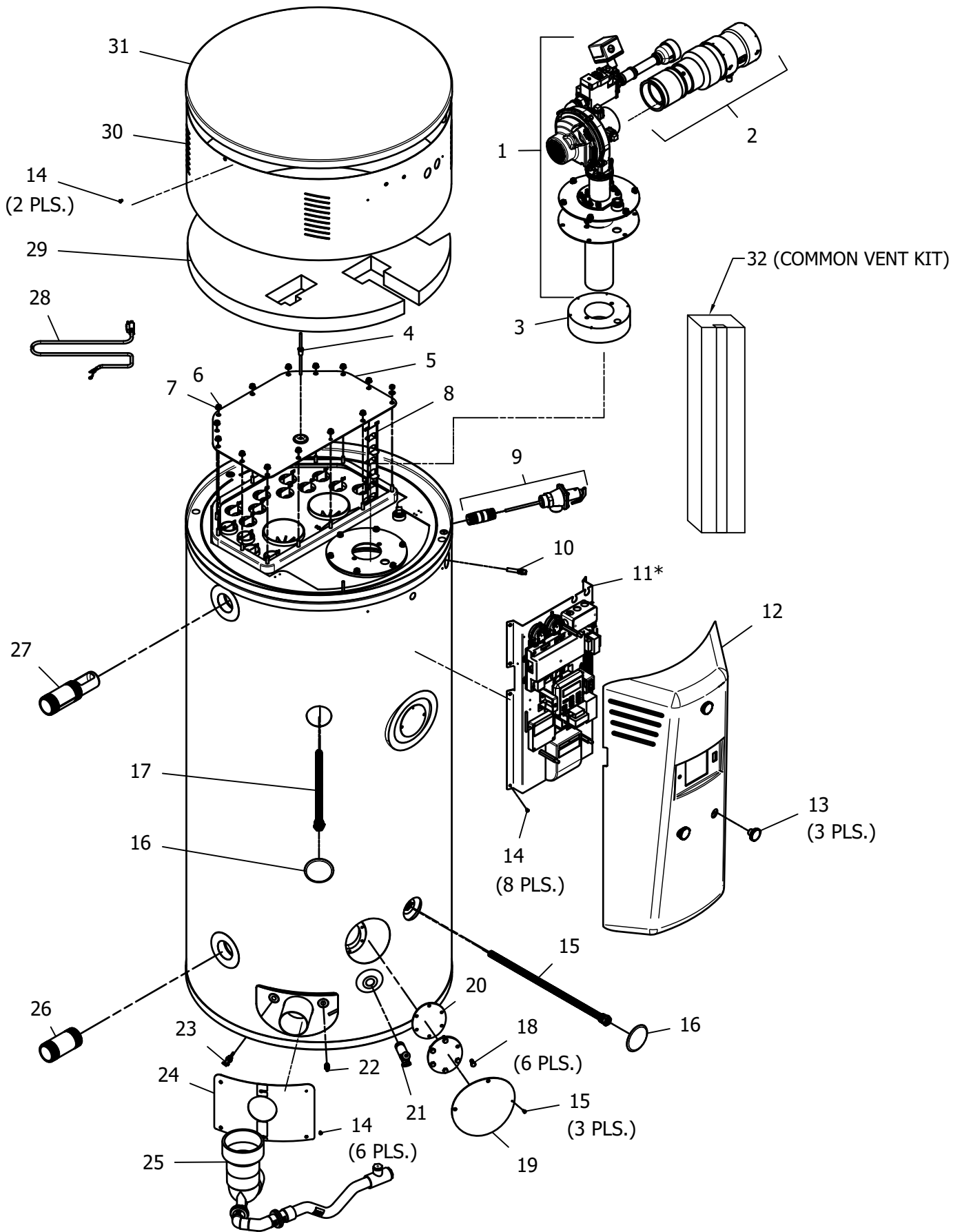
**Effective: January, 2026**  
**ECO 8971**

**NOTE: BOTH MODEL AND SERIAL  
NUMBERS ARE REQUIRED FOR  
ORDERING REPLACEMENT PARTS**

Dimensions and specifications  
subject to change without notice.



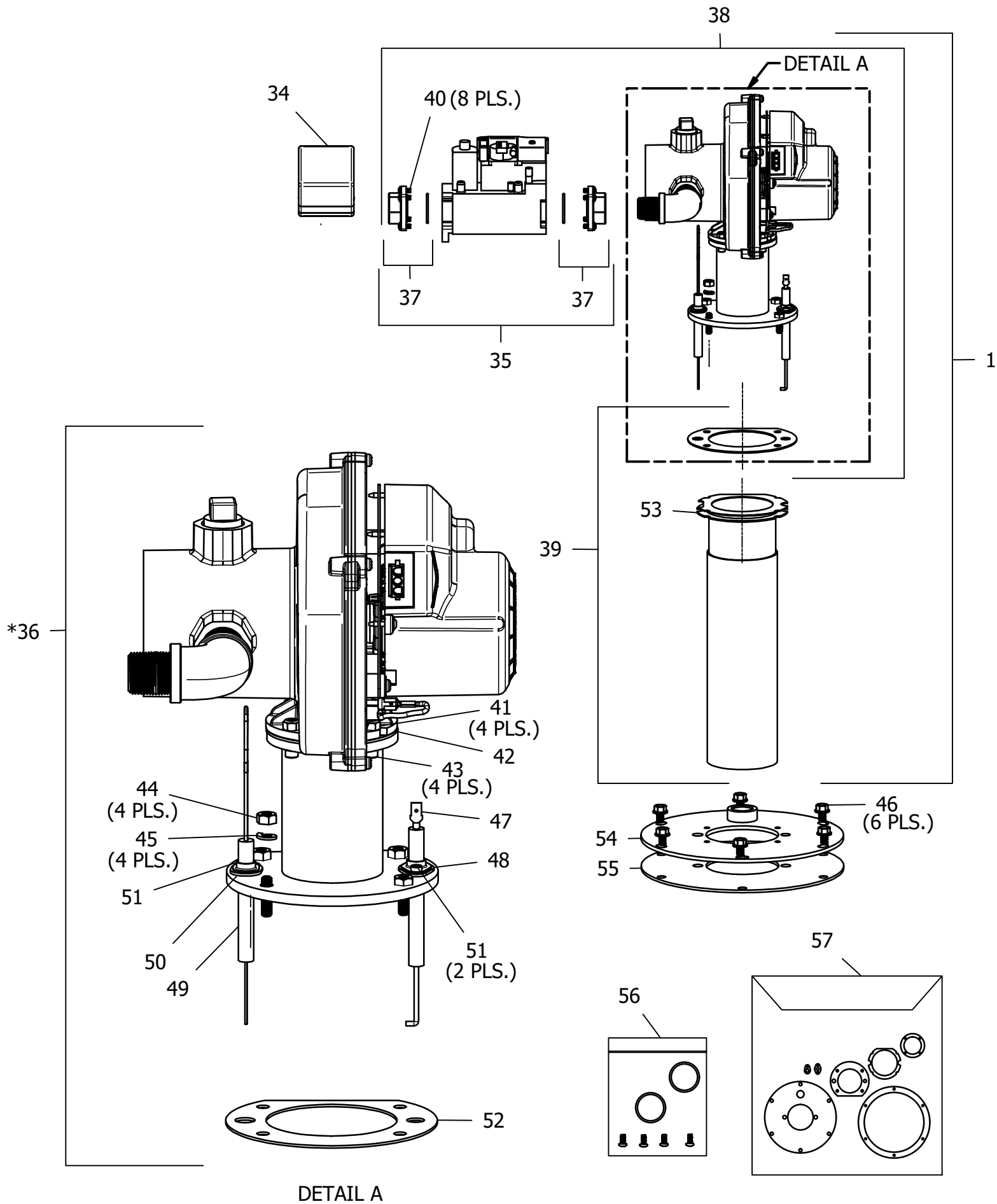
As required by the state of California Proposition 65.



\*Control Panel assembly comes with wire harnesses. Harnesses not shown for clarity.

Item Description	Model	Model
	CGT120T400(N,X)	CGT120T500(N,X)
1 Complete Combustion Assembly, (NAT)*	415-56220-01	415-56220-01
Complete Combustion Assembly, (LP)*	415-56220-02	415-56220-02
2 Intake Assembly	415-56246-00	415-56246-00
3 Refractory Disk	415-56240-00	415-56240-00
4 Second Pass Flue Sensor	415-56239-00	415-56239-00
5 Cover Plate (includes items 6 & 7)	415-56227-00	415-56227-00
6 5/16 X 18 Nut	239-16049-00	239-16049-00
7 5/16 Flat Washer	239-43570-00	239-43570-00
8 Baffle 2" (12 req'd)	415-56226-00	415-56226-00
9 T&P Valve w/ Nipple	415-56229-00	415-56229-00
10 Tank Temperature Sensor	415-56230-00	415-56230-00
11 Control Panel Assembly w/ Wire Harnesses	See Page 7	See Page 7
12 Control Enclosure Cover w/ Knobs	415-56236-00	415-56236-00
13 Knob	415-56237-00	415-56237-00
14 #8-18 X 1/2 Screw	239-32761-00	239-32761-00
15 Powered Anode (500mm)	415-56232-00	415-56232-00
16 Escutcheon	415-56544-00	415-56544-00
17 Powered Anode (350mm)	415-56225-00	415-56225-00
18 5/16-18 X 3/4 Hex Screw	239-56647-00	239-56646-00
19 Cleanout Cover (includes item 14)	415-56235-00	415-56235-00
20 Cleanout Gasket	415-56233-00	415-56233-00
21 Drain Valve	415-56247-00	415-56247-00
22 Exhaust Pressure Barb	415-56223-00	415-56223-00
23 Exhaust Temperature Sensor	415-56222-00	415-56222-00
24 Exhaust Cover Plate (includes item 14)	415-56542-00	415-56542-00
25 Condensate Drain Assembly	415-56234-00	415-56234-00
26 Inlet Nipple	415-56231-00	415-56231-00
27 Outlet Nipple	415-56228-00	415-56228-00
28 Power Cord, 12 ft	415-56221-00	415-56221-00
29 Tank Top Insulation	415-56224-00	415-56224-00
30 Surround Jacket w/ screws #8-18 X 1/2 (2 fasteners req'd)	415-56552-00	415-56552-00
31 Jacket Head	415-56551-00	415-56551-00
32 Common Vent Kit, 2 Heaters	415-56703-01	415-56703-01
Common Vent Kit, 3 Heaters	415-56703-02	415-56703-02

\*Ordering a complete assembly may increase delivery time. Please order the specific components required for the quickest delivery.



DETAIL A

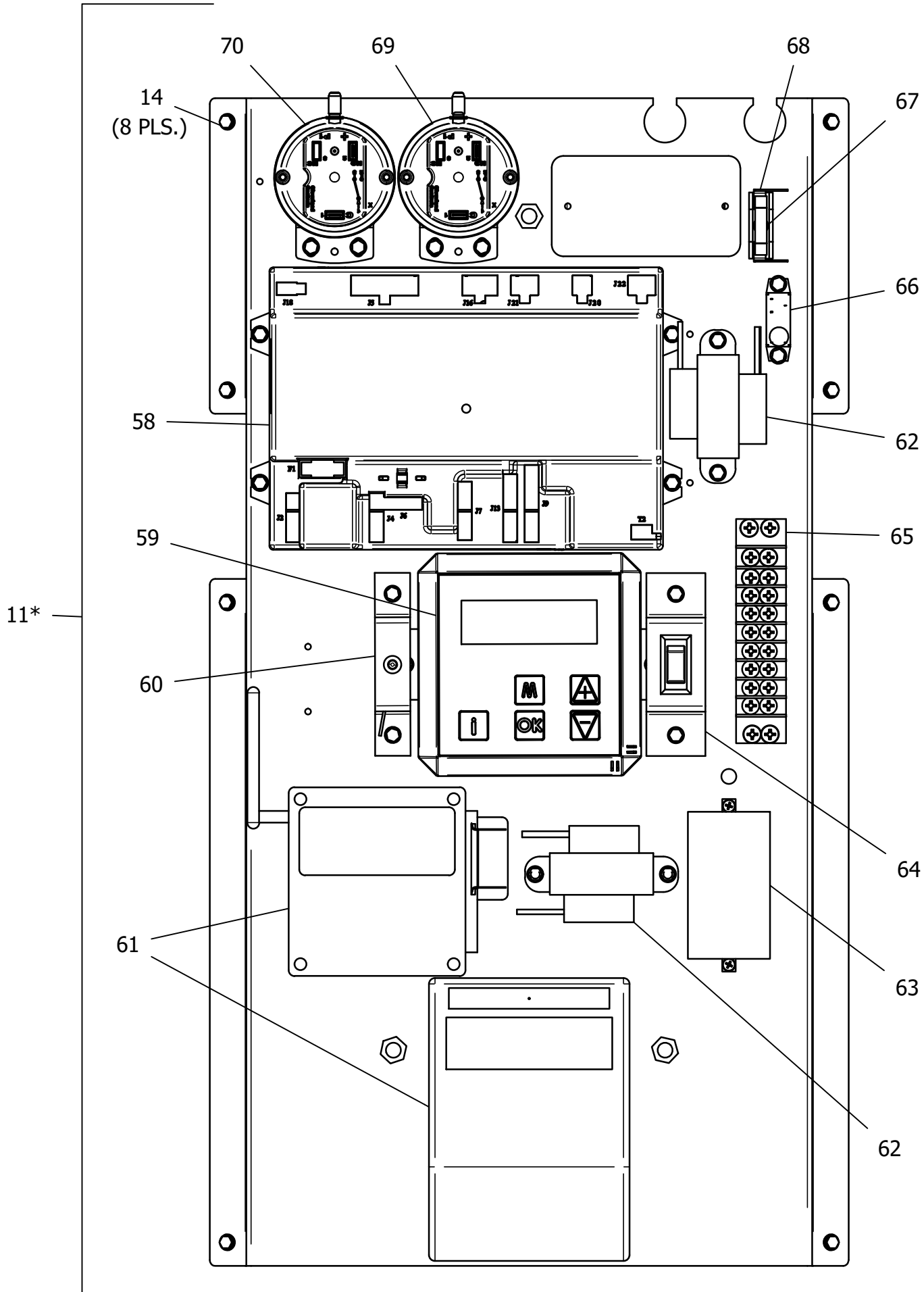
\* Hot Surface Igniter (Item 49) and Flame Rod (Item 47) are not included in Item 36.

Item Description	Model	Model
	CGT120T400(N,X)	CGT120T500(N,X)
1 Complete Combustion Assembly, (NAT)*	415-56220-01	415-56220-01
Complete Combustion Assembly, (LP)*	415-56220-02	415-56220-02
34 Gas Pressure Switch	415-56248-00	415-56248-00
35 Gas Valve (NAT GAS) ^	415-56250-01	415-56250-01
Gas Valve (LP GAS) ^	415-56250-02	415-56250-02
36 Blower Assembly Kit (NAT) #**^	415-56260-01	415-56260-01
Blower Assembly Kit (LP) #**^	415-56260-02	415-56260-02
37 Gas Valve Flange includes O-ring and item 40	415-56249-00	415-56249-00
38 Kit-Blower and Gas Valve Assembly (NAT) **^	415-56545-01	415-56545-01
Kit-Blower and Gas Valve Assembly (LP) **^	415-56545-02	415-56545-02
39 Kit-Burner Assembly*#	415-56546-00	415-56546-00
40 #10-32 X 7/16 Phillips Pan Screw	239-56648-00	239-56648-00
41 #10-32 Nylon Insert Lock Nut	239-56650-00	239-56650-00
42 Gasket (burner to transition tube)	415-56254-00	415-56254-00
43 #10-32 X 3/4 Socket Head Cap Screw	239-43273-00	239-43273-00
44 1/4-20 Grade 8 Hex Nut	239-56649-00	239-56649-00
45 1/4 Lock Washer	239-81434-00	239-81434-00
46 5/16-18 X 1/2 Serrated Flange Hex Head Screw	239-56651-00	239-56651-00
47 Flame Rod w/Gasket	415-56241-00	415-56241-00
48 Flame Rod Gasket	415-56242-00	415-56242-00
49 Hot Surface Ignitor w/Gasket	415-56244-00	415-56244-00
50 Ignitor Gasket	415-56245-00	415-46245-00
51 #8-32 X 1/4" Socket head cap screw	239-56663-00	239-56663-00
52 Gasket (blower to transition tube)	415-56255-00	415-56255-00
53 Gasket (burner to mounting flange)	415-56257-00	415-56257-00
54 Mounting Flange	415-56258-00	415-56258-00
55 Gasket (mounting flange to tank bracket)	415-56261-00	415-56261-00
56 O-Rings (qty 2) and Screws (qty 4)	415-56656-00	415-56656-00
57 Complete Gasket Kit	415-56646-00	415-56646-00

\* Ordering a complete assembly may increase delivery time. Please order the specific components required for the quickest delivery.

# Assembly does not include Flame Rod or Hot Surface ignitor.

^ Kit includes item 56



\*Control Panel assembly comes with wire harnesses. Harnesses not shown for clarity.

Item Description	Model	Model
	CGT120T400(N,X)	CGT120T500(N,X)
11 Control Panel Assembly, 400T NAT* ##	415-56238-01	---
Control Panel Assembly, 400T NAT, High Alt.* ##	415-56238-02	---
Control Panel Assembly, 400T LP * ##	415-56238-03	---
Control Panel Assembly, 400T LP, High Alt.* ##	415-56238-04	---
Control Panel Assembly, 500T NAT* ##	---	415-56238-05
Control Panel Assembly, 500T NAT, High Alt.* ##	---	415-56238-06
Control Panel Assembly, 500T LP * ##	---	415-56238-07
Control Panel Assembly, 500T LP, High Alt.* ##	---	415-56238-08
14 #8-18 X 1/2 Screw	239-32761-00	239-32761-00
58 Control Board Module, 400 NAT	415-56264-01	---
Control Board Module , 400 NAT, High Alt.	415-56264-02	---
Control Board Module , 400 LP	415-56264-03	---
Control Board Module , 400 LP, High Alt.	415-56264-04	---
Control Board Module , 500 NAT	---	415-56264-05
Control Board Module , 500 NAT, High Alt.	---	415-56264-06
Control Board Module , 500 LP	---	415-56264-07
Control Board Module , 500 LP, High Alt.	---	415-56264-08
59 Control Display, 400 NAT	415-56262-01	---
Control Display , 400 NAT, High Alt.	415-56262-02	---
Control Display , 400 LP	415-56262-03	---
Control Display , 400 LP, High Alt.	415-56262-04	---
Control Display , 500 NAT	---	415-56262-05
Control Display , 500 NAT, High Alt.	---	415-56262-06
Control Display , 500 LP	---	415-56262-07
Control Display , 500 LP, High Alt.	---	415-56262-08
60 Powered Anode Status LED w/ Bracket	415-56271-00	415-56271-00
61 Modbus with BACnet (optional)	415-56278-00	415-56278-00
62 Transformer (120 VAC / 24 VAC)	415-56270-00	415-56270-00
63 Powered Anode Power Supply	415-56272-00	415-56272-00
64 Power Switch (for main control) w/Bracket	415-56275-00	415-56275-00
65 Terminal Block	415-56265-00	415-56265-00
66 Relay	415-56266-00	415-56266-00
67 Fuse, 5A (delay)	415-56269-00	415-56269-00
68 Fuse Block	415-56268-00	415-56268-00
69 Intake Pressure Switch	415-56280-00	415-56280-00
70 Exhaust Pressure Switch	415-56279-00	415-56279-00
71 Wire harnesses (Low voltage)	415-56655-01	415-56655-01
Wire harnesses (High voltage)	415-56655-02	415-56655-02

\* Ordering a complete assembly may increase delivery time. Please order the specific components required for the quickest delivery.

## Assembly comes with wire harnesses.



## United States

---

**Sales** 1-800-523-2931  
**Technical Support** 1-888-443-4394  
**Email** [techsupport@bradfordwhite.com](mailto:techsupport@bradfordwhite.com)  
**Warranty** 1-800-531-2111  
**Email** [warranty@bradfordwhite.com](mailto:warranty@bradfordwhite.com)  
**Service Parts** 1-800-538-2020  
**Email** [parts@bradfordwhite.com](mailto:parts@bradfordwhite.com)

## Canada

---

**Sales** 1-866-690-0961 1-905-203-0600  
**Fax** 905-636-0666  
**Warranty** 1-800-531-2111  
**Email** [warranty@bradfordwhite.com](mailto:warranty@bradfordwhite.com)  
**Technical Support** 1-888-443-4394  
**Email** [techsupport@bradfordwhite.com](mailto:techsupport@bradfordwhite.com)  
**Service Parts and Orders** [ca.orders@bradfordwhite.com](mailto:ca.orders@bradfordwhite.com)

For U.S. and Canada field service, contact your professional installer or local Bradford White sales representative.

## International

---

**General Contact** [international@bradfordwhite.com](mailto:international@bradfordwhite.com)