



Light Duty Commercial Electric Replacement Parts List

Light Duty Energy Saver Upright and Lowboy Models



Models Covered:
LE3(30,40,50)S*
LE1(20)L*
LE2(30,40,50)LN*
LE2(55,65,80)T*
LE2120T*

*Denotes warranty year

Includes Hydrojet®
Total Performance System

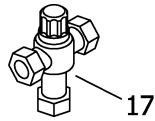
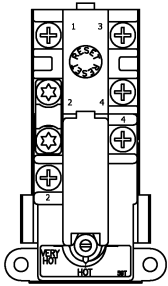
Effective: October, 2024
ECO 8780

**NOTE: BOTH MODEL AND SERIAL
NUMBERS ARE REQUIRED FOR
ORDERING REPLACEMENT PARTS**

Dimensions and specifications
subject to change without notice.

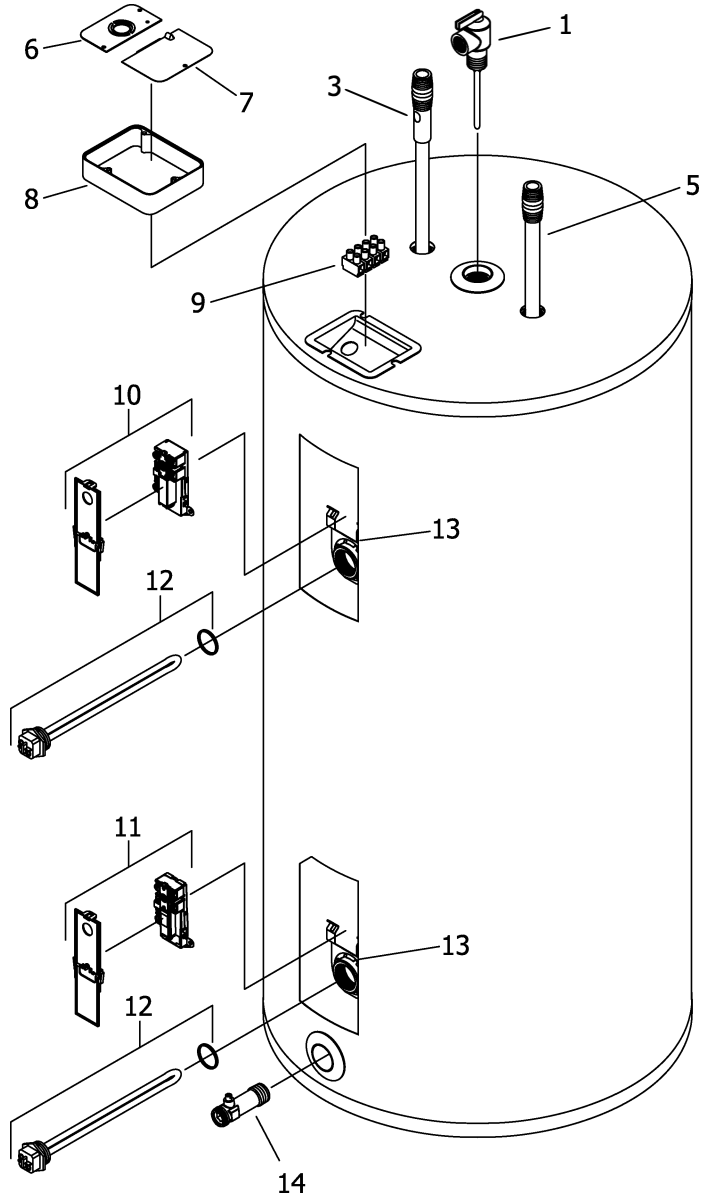
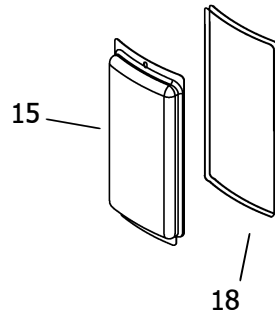
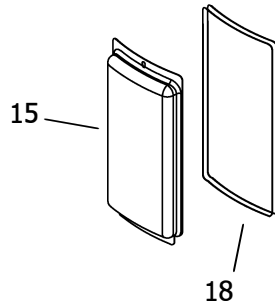
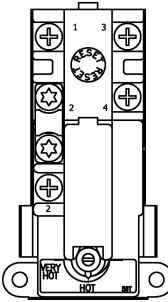
TOP LOCATION

- Double element water heater.



BOTTOM LOCATION

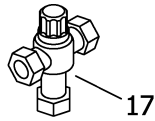
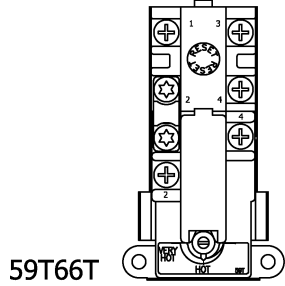
- Single element water heater.
- Double element water heater.



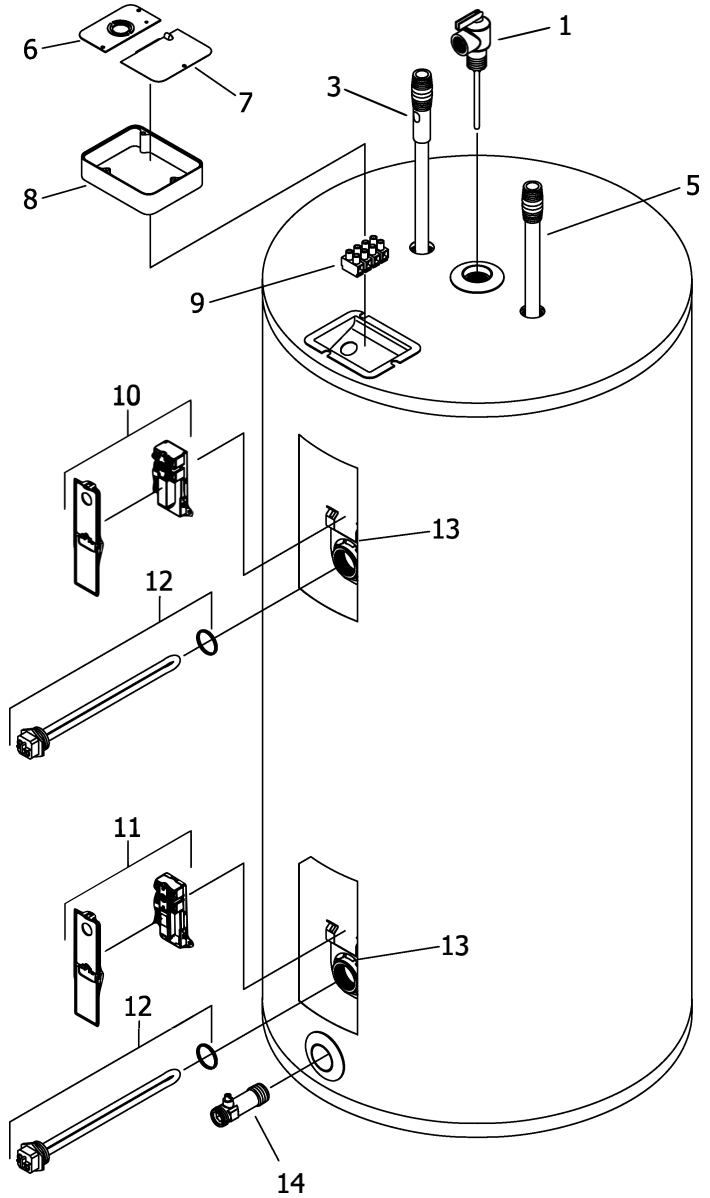
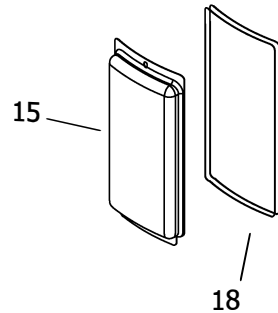
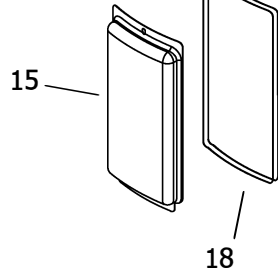
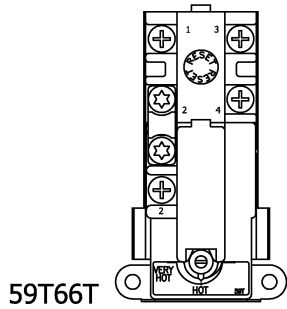
Item	Description	Model	Model	Model
		LE230S	LE240S	LE250S
1	T&P Relief Valve	415-40594-02	415-40594-02	415-40594-02
3	Hot Water Outlet Anode Magnesium #	415-55482-00	415-55482-00	415-55482-00
	Aluminum #	415-55484-00	415-55484-00	415-55484-00
	A420 (Aluminum) #	415-55486-00	415-55486-00	415-55486-00
5	Cold Water Inlet Tube Pex	415-51230-21	415-51230-21	415-51230-21
6	Cover Conduit/Ground	243-39451-00	243-39451-00	243-39451-00
7	Cover Junction box	243-39452-00	243-39452-00	243-39452-00
8	Junction Box Extender	239-40587-00	239-40587-00	239-40587-00
9	Terminal Block (4 pole)	243-49908-00	243-49908-00	243-49908-00
10	Upper Thermostat with High Limit (59T66T) & Protector ▲▲ ∩	415-51046-00	415-51046-00	415-51046-00
	Upper and Lower Thermostat (59T66T) & Protector ▲ Φ ∩∩	415-54615-00	415-54615-00	415-54615-00
11	Lower Thermostat (59T66T) & Protector ▲▲ ∩	415-50691-00	415-50691-00	415-50691-00
	Lower Thermostat (59T66T) & Protector ▲ Φ ∩∩	415-54452-00	415-54452-00	415-54452-00
12	Heating Element 240V 4500W	220-51867-11	220-51867-11	220-51867-11
	Element Gasket	223-34019-00	223-34019-00	223-34019-00
13	Thermostat Mounting Bracket	415-50689-00	415-50689-00	415-50689-00
14	Brass Drain Valve	415-42351-02	415-42351-02	415-42351-02
15	Access Cover	243-36618-02	243-36618-02	243-36618-02
17	ASSE Approved Mixing Valve	239-51778-00	239-51778-00	239-51778-00
18	Access Cover Gasket	239-39434-00	239-39434-00	239-39434-00

- ▲ Thermostat protector provided in kit with thermostat.
- ▲▲ Thermostat protector and mounting bracket (Item# 13) provided in kit with thermostat.
- Φ Mounting bracket (Item #13) not provided in kit with thermostat.
- * For other voltage and wattage combinations, refer to voltage & wattage conversion kits on page 14.
- # Anode may need to be cut to length, please see page 15 for reference chart of anode length by model.
- ∩ Design certified for products with serial numbers PRIOR to TD43243484.
- ∩∩ Design certified for products with serial numbers AFTER and including TD43243484.

- TOP LOCATION**
- Double element water heater.



- BOTTOM LOCATION**
- Single element water heater.
 - Double element water heater.

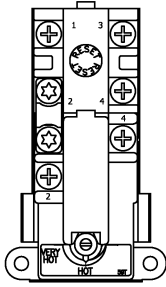


Item	Description	Model	Model	Model
		LE330S	LE340S	LE350S
1	T&P Relief Valve	415-40594-02	415-40594-02	415-40594-02
3	Hot Water Outlet Anode Magnesium #	415-55482-00	415-55482-00	415-55482-00
	Aluminum #	415-55484-00	415-55484-00	415-55484-00
	A420 (Aluminum) #	415-55486-00	415-55486-00	415-55486-00
5	Cold Water Inlet Tube Pex	415-51230-21	415-51230-21	415-51230-21
6	Cover Conduit/Ground	243-39451-00	243-39451-00	243-39451-00
7	Cover Junction box	243-39452-00	243-39452-00	243-39452-00
8	Junction Box Extender	239-40587-00	239-40587-00	239-40587-00
9	Terminal Block (4 pole)	243-49908-00	243-49908-00	243-49908-00
10	Upper and Lower Thermostat (59T66T) & Protector ▲ Φ	415-54615-00	415-54615-00	415-54615-00
11	Lower Thermostat (59T66T) & Protector ▲ Φ	415-54452-00	415-54452-00	415-54452-00
12	Heating Element 240V 4500W	220-51867-11	220-51867-11	220-51867-11
	Element Gasket	223-34019-00	223-34019-00	223-34019-00
13	Thermostat Mounting Bracket	415-50689-00	415-50689-00	415-50689-00
14	Brass Drain Valve	415-42351-04	415-42351-04	415-42351-04
15	Access Cover	243-36618-02	243-36618-02	243-36618-02
17	ASSE Approved Mixing Valve	239-51778-00	239-51778-00	239-51778-00
18	Access Cover Gasket	239-39434-00	239-39434-00	239-39434-00

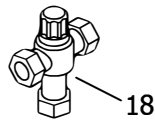
- ▲ Thermostat protector provided in kit with thermostat.
- ▲▲ Thermostat protector and mounting bracket (Item# 13) provided in kit with thermostat.
- Φ Mounting bracket (Item #13) not provided in kit with thermostat.
- * For other voltage and wattage combinations, refer to voltage & wattage conversion kits on page 14.
- # Anode may need to be cut to length, please see page 15 for reference chart of anode length by model.

TOP LOCATION

- Double element water heater.

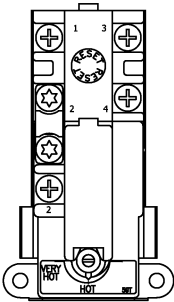


59T66T

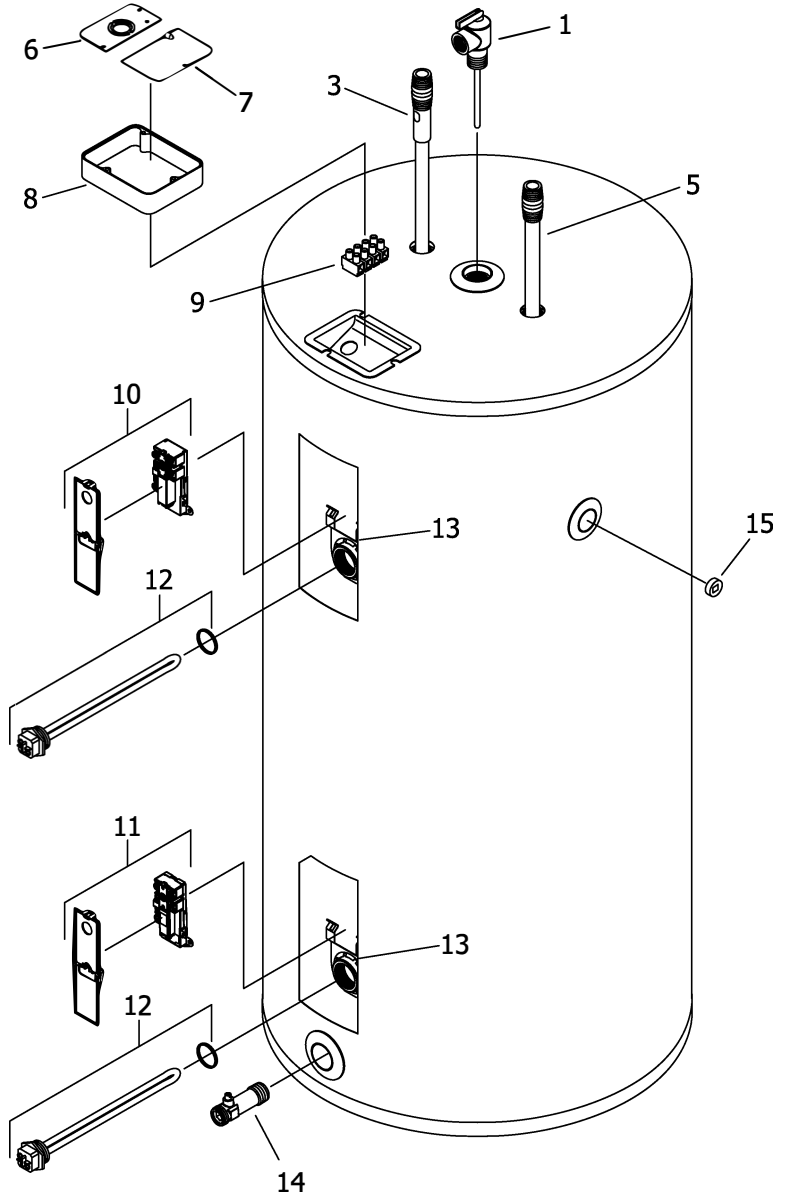
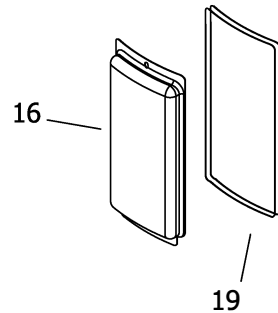
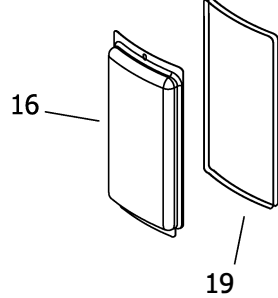


BOTTOM LOCATION

- Single element water heater.
- Double element water heater.



59T66T

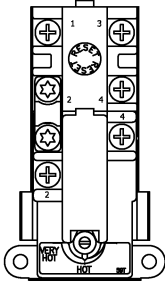


Item	Description	Model LE120L	Model LE130L	Model LE140L	Model LE150L
1	T&P Relief Valve	415-40594-02	415-40594-02	415-40594-02	415-40594-02
3	Hot Water Outlet Anode Magnesium # Aluminum # A420(Aluminum) #	415-55482-00 415-55484-00 415-55486-00	415-55482-00 415-55484-00 415-55486-00	415-55482-00 415-55484-00 415-55486-00	415-55482-00 415-55484-00 415-55486-00
5	Cold Water Inlet Tube PEX	415-51230-01	229-51718-04	415-51230-27	415-51230-27
6	Cover Conduit/Ground	243-39451-00	243-39451-00	243-39451-00	243-39451-00
7	Cover Junction box	243-39452-00	243-39452-00	243-39452-00	243-39452-00
8	Junction Box Extender	239-40587-00	239-40587-00	239-40587-00	239-40587-00
9	Terminal Block (4 pole)	243-49908-00	243-49908-00	243-49908-00	243-49908-00
10	Upper Thermostat with High Limit (59T66T) & Protector ▲▲ ∩ Upper and Lower Thermostat (59T66T) & Protector ▲ Φ ∩∩	415-51046-00 415-54615-00	415-51046-00 415-54615-00	415-51046-00 415-54615-00	415-51046-00 415-54615-00
11	Lower Thermostat (59T66T) & Protector ▲▲ ∩ Lower Thermostat (59T66T) & Protector ▲ Φ ∩∩	415-50691-00 415-54452-00	415-50691-00 415-54452-00	415-50691-00 415-54452-00	415-50691-00 415-54452-00
12	Heating Element 240V 4500W Element Gasket	220-51867-11 223-34019-00	220-51867-11 223-34019-00	220-51867-11 223-34019-00	220-51867-11 223-34019-00
13	Thermostat Mounting Bracket	415-50689-00	415-50689-00	415-50689-00	415-50689-00
14	Brass Drain Valve	415-42351-02	415-42351-02	415-42351-02	415-42351-02
15	Plug-3/4" NPT	239-11638-00	239-11638-00	239-11638-00	239-11638-00
16	Access Cover	243-36618-02	243-36618-02	243-36618-02	243-36618-02
18	ASSE Approved Mixing Valve	239-51778-00	239-51778-00	239-51778-00	239-51778-00
19	Access Cover Gasket	239-39434-00	239-39434-00	239-39434-00	239-39434-00

- ▲ Thermostat protector provided in kit with thermostat.
- ▲▲ Thermostat protector and mounting bracket (Item# 13) provided in kit with thermostat.
- Φ Mounting bracket (Item #13) not provided in kit with thermostat.
- * For other voltage and wattage combinations, refer to voltage & wattage conversion kits on page 14.
- # Anode may need to be cut to length, please see page 15 for reference chart of anode length by model.
- ∩ Design certified for products with serial numbers PRIOR to TD43243484.
- ∩∩ Design certified for products with serial numbers AFTER and including TD43243484.

TOP LOCATION

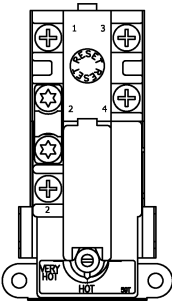
- Double element water heater.



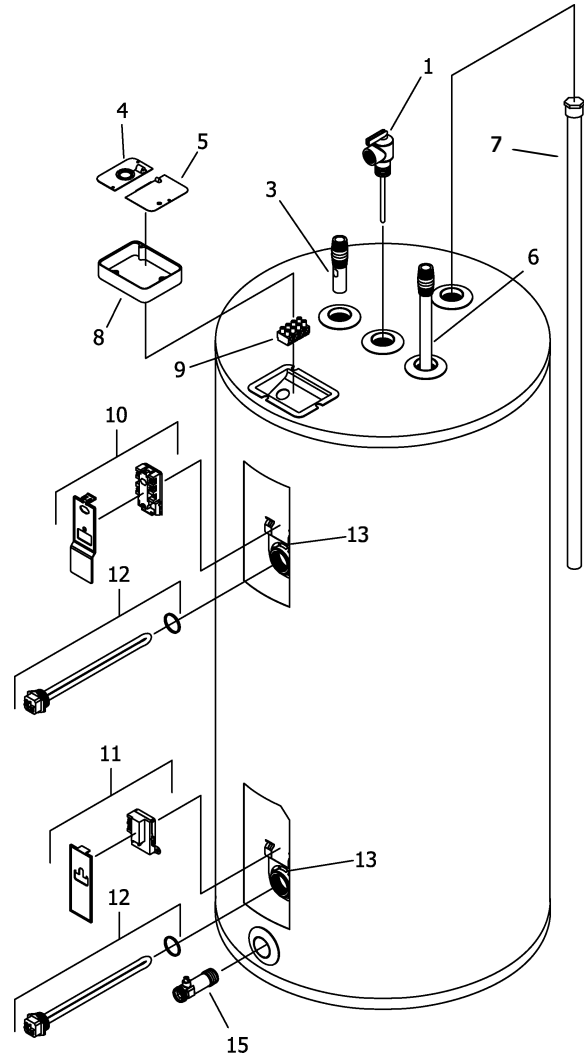
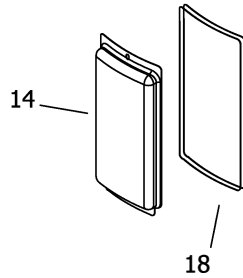
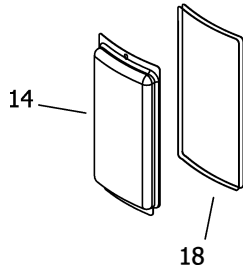
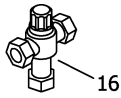
59T66T

BOTTOM LOCATION

- Single element water heater.
- Double element water heater.



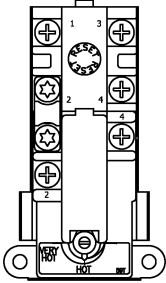
59T66T



Item	Description	Model	Model	Model
		LE230LN	LE240LN	LE250LN
1	T&P Relief Valve	415-40594-04	415-40594-04	415-40594-04
3	Hot Water Outlet Device	229-51995-00	229-51858-00	229-51858-00
4	Cover Conduit/Ground	243-39451-00	243-39451-00	243-39451-00
5	Cover Junction Box	243-39452-00	243-39452-00	243-39452-00
6	Cold Water Inlet Tube PEX	229-51718-03	229-52007-01	229-51718-02
7	Hex Head Anode Magnesium #	415-55483-00	415-55483-00	415-55483-00
	Aluminum #	415-55485-00	415-55485-00	415-55485-00
	A420 (Aluminum)#	415-55487-00	415-55487-00	415-55487-00
8	Junction Box Extender	239-40587-00	239-40587-00	239-40587-00
9	Terminal Block (4 pole)	243-49908-00	243-49908-00	243-49908-00
10	Upper Thermostat with High Limit (59T66T) & Protector ▲▲ ∩	415-51046-00	415-51046-00	415-51046-00
	Upper and Lower Thermostat (59T66T) & Protector ▲ Φ ∩∩	415-54615-00	415-54615-00	415-54615-00
11	Lower Thermostat (59T66T) & Protector ▲▲ ∩	415-50691-00	415-50691-00	415-50691-00
	Lower Thermostat (59T66T) & Protector ▲ Φ ∩∩	415-54452-00	415-54452-00	415-54452-00
12	Heating Element 240V 4500W	220-51867-11	220-51867-11	220-51867-11
	Element Gasket	223-34019-00	223-34019-00	223-34019-00
13	Thermostat Mounting Bracket	415-50689-00	415-50689-00	415-50689-00
14	Access Cover	243-36618-02	243-36618-02	243-36618-02
15	Brass Drain Valve	415-42351-04	415-42351-04	415-42351-02
16	ASSE Approved Mixing Valve	239-51778-00	239-51778-00	239-51778-00
18	Access Cover Gasket	239-39434-00	239-39434-00	239-39434-00

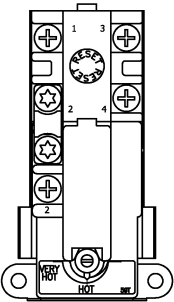
- ▲ Thermostat protector provided in kit with thermostat.
- ▲▲ Thermostat protector and mounting bracket (Item# 13) provided in kit with thermostat.
- Φ Mounting bracket (Item #13) not provided in kit with thermostat.
- * For other voltage and wattage combinations, refer to voltage & wattage conversion kits on page 14.
- # Anode may need to be cut to length, please see page 15 for reference chart of anode length by model.
- ∩ Design certified for products with serial numbers PRIOR to TD43243484.
- ∩∩ Design certified for products with serial numbers AFTER and including TD43243484.

TOP LOCATION
 ● Double element water heater.

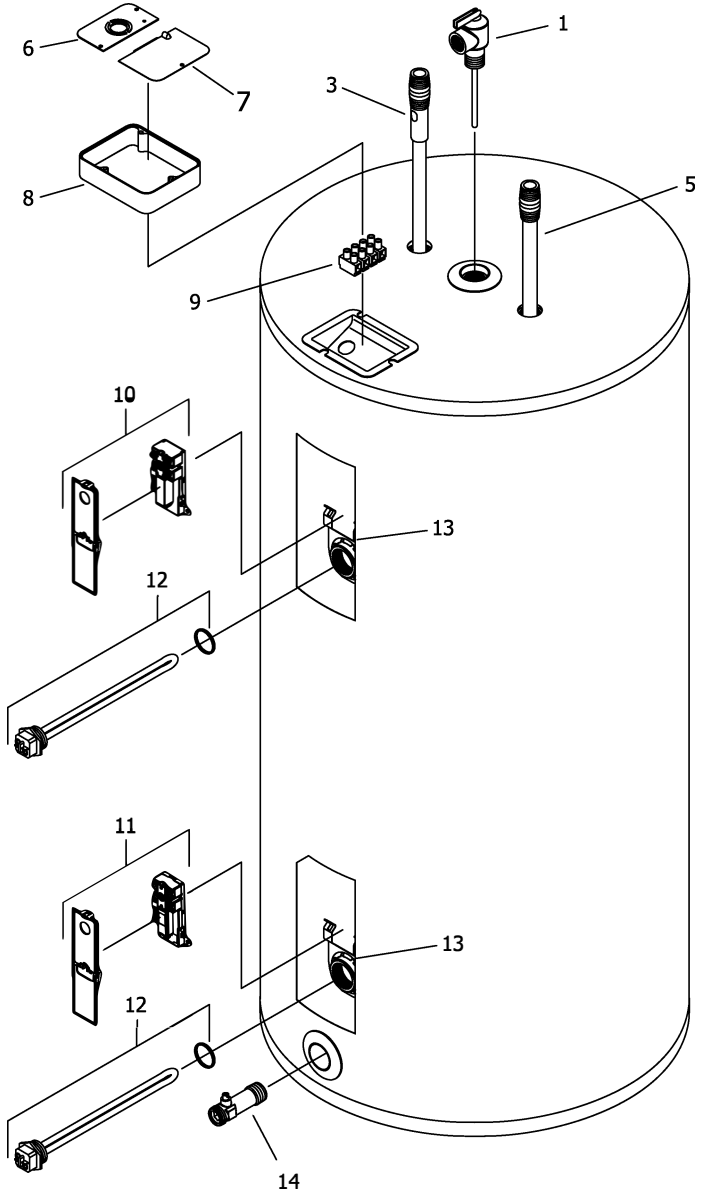
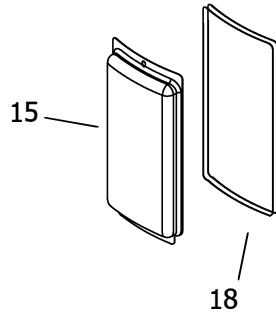
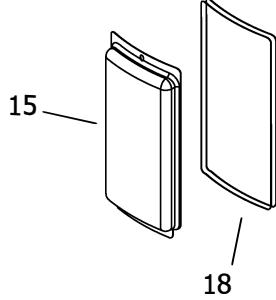
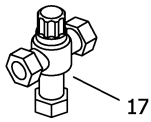


59T66T

BOTTOM LOCATION
 ● Single element water heater.
 ● Double element water heater.



59T66T

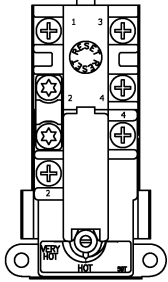


Item	Description	Model	Model	Model
		LE265T	LE280T	LE2120T
1	T&P Relief Valve	415-40594-02	415-40594-02	415-40594-02
3	Hot Water Outlet Anode Magnesium #	415-55482-00	415-55482-00	415-47780-01
	Aluminum #	415-55484-00	415-55484-00	415-45036-01
	A420 (Aluminum)#	415-55486-00	415-55486-00	---
5	Cold Water Inlet Tube PEX	415-51230-22	229-51230-33	---
	Cold Water Inlet Tube Polysulfone	---	---	229-45032-01
6	Cover Conduit/Ground	243-39451-00	243-39451-00	243-39451-00
7	Cover Junction Box	243-39452-00	243-39452-00	243-39452-00
8	Junction Box Extender	239-40587-00	239-40587-00	239-40587-00
9	Terminal Block (4 pole)	243-49908-00	243-49908-00	243-49908-00
10	Upper Thermostat with High Limit (59T66T) & Protector ▲▲ ∩	415-51046-00	415-51046-00	415-51046-00
	Upper and Lower Thermostat (59T66T) & Protector ▲ Φ ∩∩	415-54615-00	415-54615-00	415-54615-00
11	Lower Thermostat (59T66T) & Protector ▲▲ ∩	415-50691-00	415-50691-00	415-50691-00
	Lower Thermostat (59T66T) & Protector ▲ Φ ∩∩	415-54452-00	415-54452-00	415-54452-00
12	Heating Element 240V 4500W	220-51867-11	220-51867-11	220-51867-11
	Element Gasket	223-34019-00	223-34019-00	223-34019-00
13	Thermostat Mounting Bracket	415-50689-00	415-50689-00	415-50689-00
14	Brass Drain Valve	415-42351-02	415-42351-02	415-42351-02
15	Access Cover	243-36618-02	243-36618-02	243-36618-02
17	ASSE Approved Mixing Valve	239-51778-00	239-51778-00	239-51778-00
18	Access Cover Gasket	239-39434-00	239-39434-00	239-39434-00

- ▲ Thermostat protector provided in kit with thermostat.
- ▲▲ Thermostat protector and mounting bracket (Item #13) provided in kit with thermostat.
- Φ Mounting bracket (Item #13) not provided in kit with thermostat.
- * For other voltage and wattage combinations, refer to voltage & wattage conversion kits on page 14.
- # Anode may need to be cut to length, please see page 15 for reference chart of anode length by model.
- ∩ Design certified for products with serial numbers PRIOR to TD43243484.
- ∩∩ Design certified for products with serial numbers AFTER and including TD43243484.

TOP LOCATION

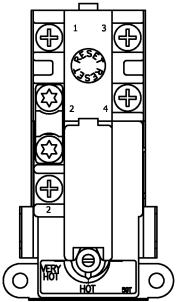
- Double element water heater.



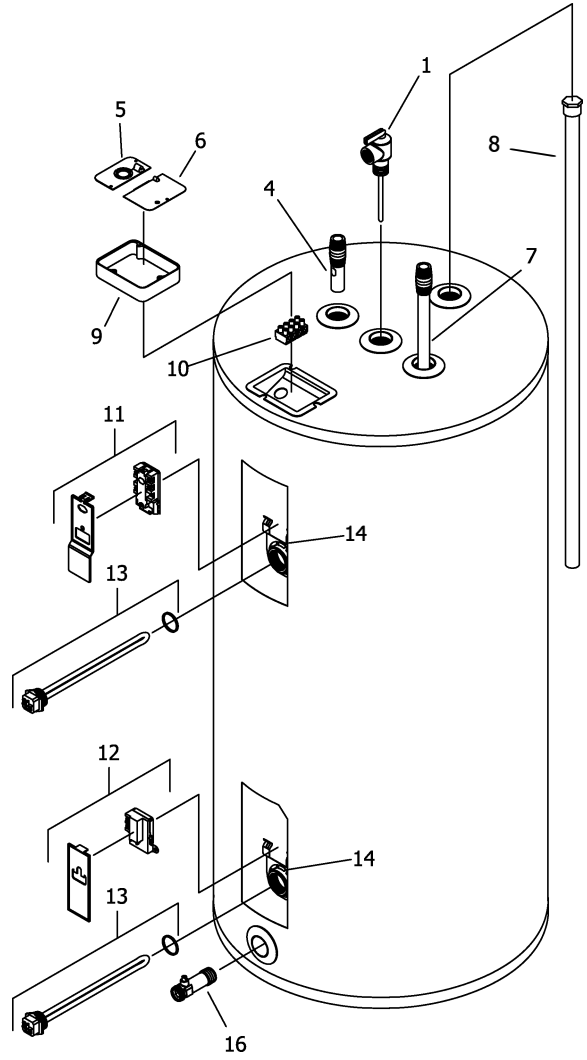
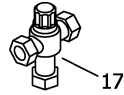
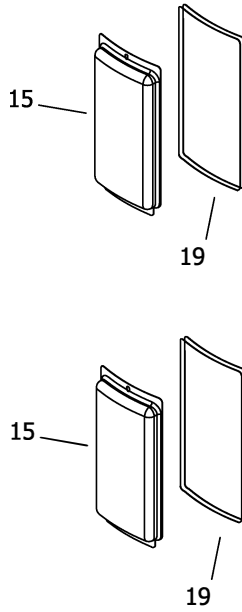
59T66T

BOTTOM LOCATION

- Single element water heater.
- Double element water heater.



59T66T



Item	Description	Model
		LE255T
1	T&P Relief Valve	415-40594-04
4	Hot Water Outlet Device	229-50053-06
5	Cover Conduit/Ground	243-39451-00
6	Cover Junction Box	243-39452-00
7	Cold Water Inlet Tube PEX	229-51718-05
8	Hex Head Anode Magnesium #	415-55483-00
	Aluminum #	415-55485-00
	A420 (Aluminum)#	415-55487-00
9	Junction Box Extender	239-40587-00
10	Terminal Block (4 pole)	243-49908-00
11	Upper and Lower Thermostat (59T66T) & Protector ▲	415-54615-00
12	Lower Thermostat (59T66T) & Protector ▲	415-54452-00
13	Heating Element 240V 4500W	220-51867-11
	Element Gasket	223-34019-00
14	Thermostat Mounting Bracket	415-50689-00
15	Access Cover	243-36618-02
16	Brass Drain Valve	415-42351-04
17	ASSE Approved Mixing Valve	239-51778-00
18	Access Cover Gasket	239-39434-00

▲ Thermostat protector provided in kit with thermostat.

* For other voltage and wattage combinations, refer to voltage & wattage conversion kits on page 14.

Anode may need to be cut to length, please see page 15 for reference chart of anode length by model.

Voltage & Wattage Conversion Kits

ELEMENT-STANDARD EXPORT						
WATTAGE	COPPER			INCOLOY		
	120v	208v	240v	380v	415v	480v
1000w	N/A	220-51867-05	N/A	N/A	N/A	N/A
1500w	220-51867-01	220-51867-06	220-51867-05	220-51868-19	220-51868-18	220-51868-27
2000w	220-51867-02	220-51867-07	220-51867-06	220-51868-15	220-51868-19	220-51868-28
2500w	220-51867-03	220-51867-09	220-51867-07	220-51868-20	220-51868-15	220-51868-29
3000w	220-51867-04	220-51867-10	220-51867-08	220-51868-21	220-51868-20	220-51868-30
3500w	N/A	220-51867-11	220-51867-09	220-51868-22	220-51868-21	220-51868-31
4000w	N/A	220-51867-13	220-51867-10	220-51868-24	220-51868-22	220-51868-32
4500w	N/A	220-51867-14	220-51867-11	220-51868-25	220-51868-23	220-51868-33
5000w	N/A	N/A	220-51867-12	220-51868-26	220-51868-24	220-51868-34
5500w	N/A	N/A	220-51867-13	220-51868-16	220-51868-25	220-51868-35
6000w	N/A	N/A	220-51867-14	220-51868-17	220-51868-26	220-51868-36

ELEMENT-INCOLOY -284 MODELS			
WATTAGE	120v	208v	240v
1000w	N/A	220-51868-05	N/A
1500w	220-51868-01	220-51868-06	220-51868-05
2000w	220-51868-02	220-51868-07	220-51868-06
2500w	220-51868-03	220-51868-09	220-51868-07
3000w	220-51868-04	220-51868-10	220-51868-08
3500w	N/A	220-51868-11	220-51868-09
4000w	N/A	220-51868-13	220-51868-10
4500w	N/A	220-51868-14	220-51868-11
5000w	N/A	N/A	220-51868-12
5500w	N/A	N/A	220-51868-13
6000w	N/A	N/A	220-51868-14



United States

Sales 1-800-523-2931
Technical Support 1-800-334-3393
Email techsupport@bradfordwhite.com
Warranty 1-800-531-2111
Email warranty@bradfordwhite.com
Service Parts 1-800-538-2020
Email parts@bradfordwhite.com

Canada

Sales 1-866-690-0961 1-905-203-0600
Fax 905-636-0666
Warranty 1-800-531-2111
Email warranty@bradfordwhite.com
Technical Support 1-800-334-3393
Email techsupport@bradfordwhite.com
Service Parts and Orders ca.orders@bradfordwhite.com

For U.S. and Canada field service, contact your professional installer or local Bradford White sales representative.

International

General Contact international@bradfordwhite.com