



RESIDENTIAL GAS REPLACEMENT PARTS LIST

Combi2™ Aquavent Models



Models Covered:
(CSW2TW, CDW2TW)19

Includes Hydrojet®
Total Performance System

Effective: October, 2024
ECO 8780

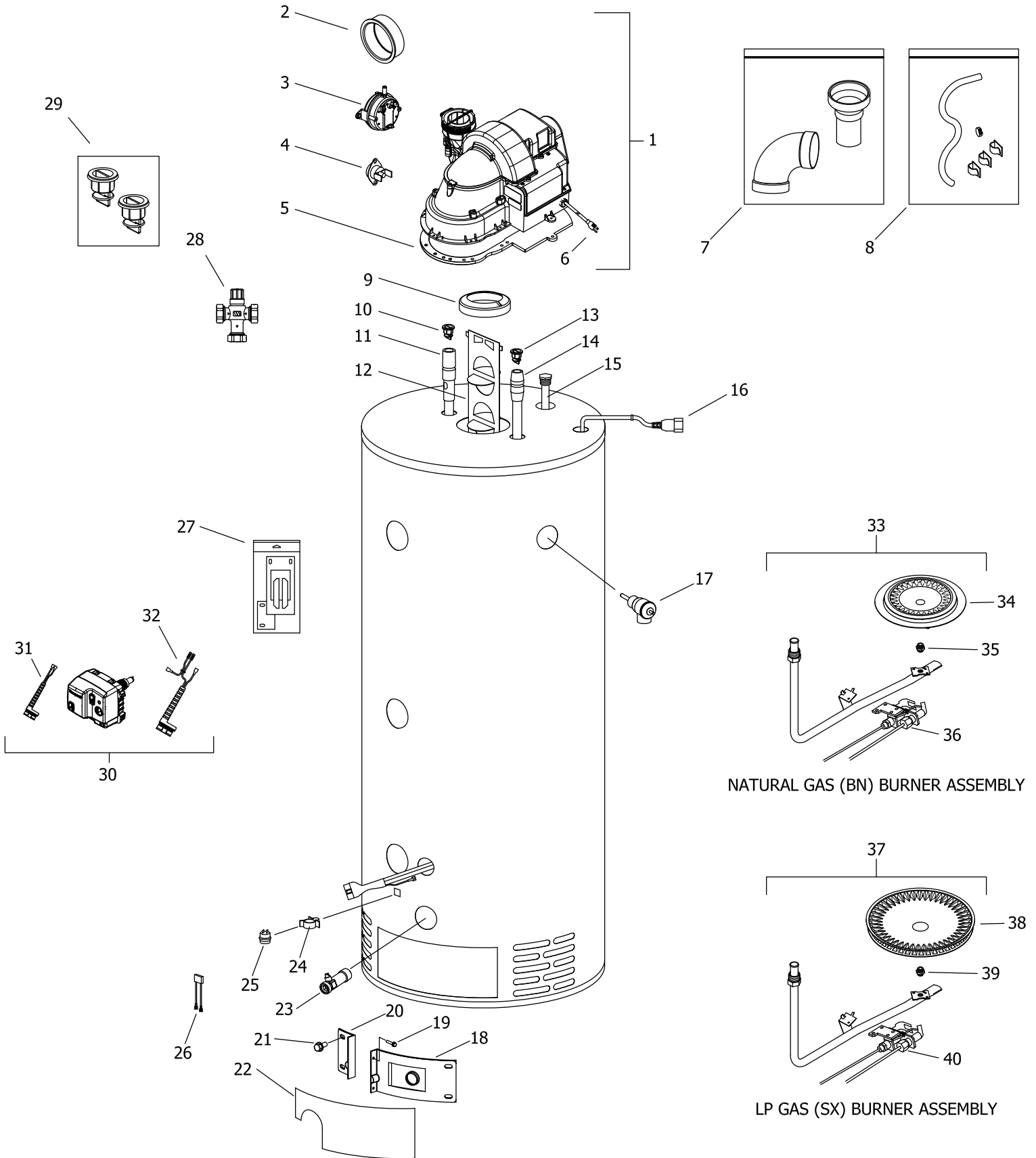
**NOTE: BOTH MODEL AND SERIAL
NUMBERS ARE REQUIRED FOR
ORDERING REPLACEMENT PARTS**

Dimensions and specifications
subject to change without notice.



As required by the state of California Proposition 65.

C(D,S)W2TW50T SERIES



NATURAL GAS (BN) BURNER ASSEMBLY

LP GAS (SX) BURNER ASSEMBLY

Item	Description	Model
		C(D,S)W2TW50T10F(BN,SX)19
1	Blower Complete	415-54694-00
2	Gasket Adapter Rubber PVC	415-53864-00
3	Pressure Switch	415-45867-06
4	Blower Temperature Switch	239-53995-00
5	Blower Gasket	239-53693-00
6	Blower Power Cord	239-45990-00
7	3" Vent Adaptor with Vent Terminal	239-54316-00
8	Condensate Hose Kit (Optional)	415-45875-00
9	Flue Reducer	243-42572-00
10	Heat Trap Insert (Outlet)	415-45167-00
11	Hot Water Outlet Anode (Aluminum) ▲	415-55485-00
	Hot Water Outlet Anode (A420 Aluminum) ▲#	415-55486-00
12	Flue Baffle	239-45373-00
13	Heat Trap Insert (Inlet)	415-45073-00
14	Cold Water Inlet Dip Tube ▲ ▲	415-45092-01
15	Plug Type Anode (Aluminum)	415-55484-00
16	Blower Harness	239-53966-02
17	T&P Valve	415-40594-02
18	Right Side Inner Door	239-45642-18
19	Screw #8-15 x 3/4	239-44195-00
20	Left Side Inner Door	239-43968-18
21	Screw #10-12 x 3/4	239-44113-00
22	Outer Door	243-43962-00
23	Brass Drain Valve	415-48070-02
24	Flammable Vapor Sensor Clip	239-45648-00
25	Flammable Vapor Sensor	415-45560-00
26	Sensor Harness	239-45620-00
27	Kit-Inner Door Gasket	239-44078-00
28	ASSE Approved Mixing Valve	239-51778-00
29	Kit-Heat Trap Insert	265-45419-00
30	Gas Valve Natural Gas	239-48795-04
	Gas Valve LP Gas	239-48796-04
31	Flammable Vapor Sensor Harness	239-49791-00
32	FV Sensor and Thermal Switch Harness	239-50066-00
Natural Gas (BN) Burner Assembly		
33	Nat. Gas (BN) Burner Assembly Complete**	265-47439-06-26
34	Nat. Gas (BN) Burner*	228-42506-00
35	Nat. Gas (BN) Main Burner Orifice*	234-41034-26
36	Nat. Gas Pilot Assembly*	233-45653-02
LP Gas (SX) Burner Assembly		
37	LP Gas (SX) Burner Assembly Complete**	265-47440-31-43
38	LP Gas (SX) Burner*	228-46964-00
39	LP Gas (SX) Main Burner Orifice*	234-35928-43
40	LP Gas Pilot Assembly*	233-54338-02

* Inner door gasket kit recommended

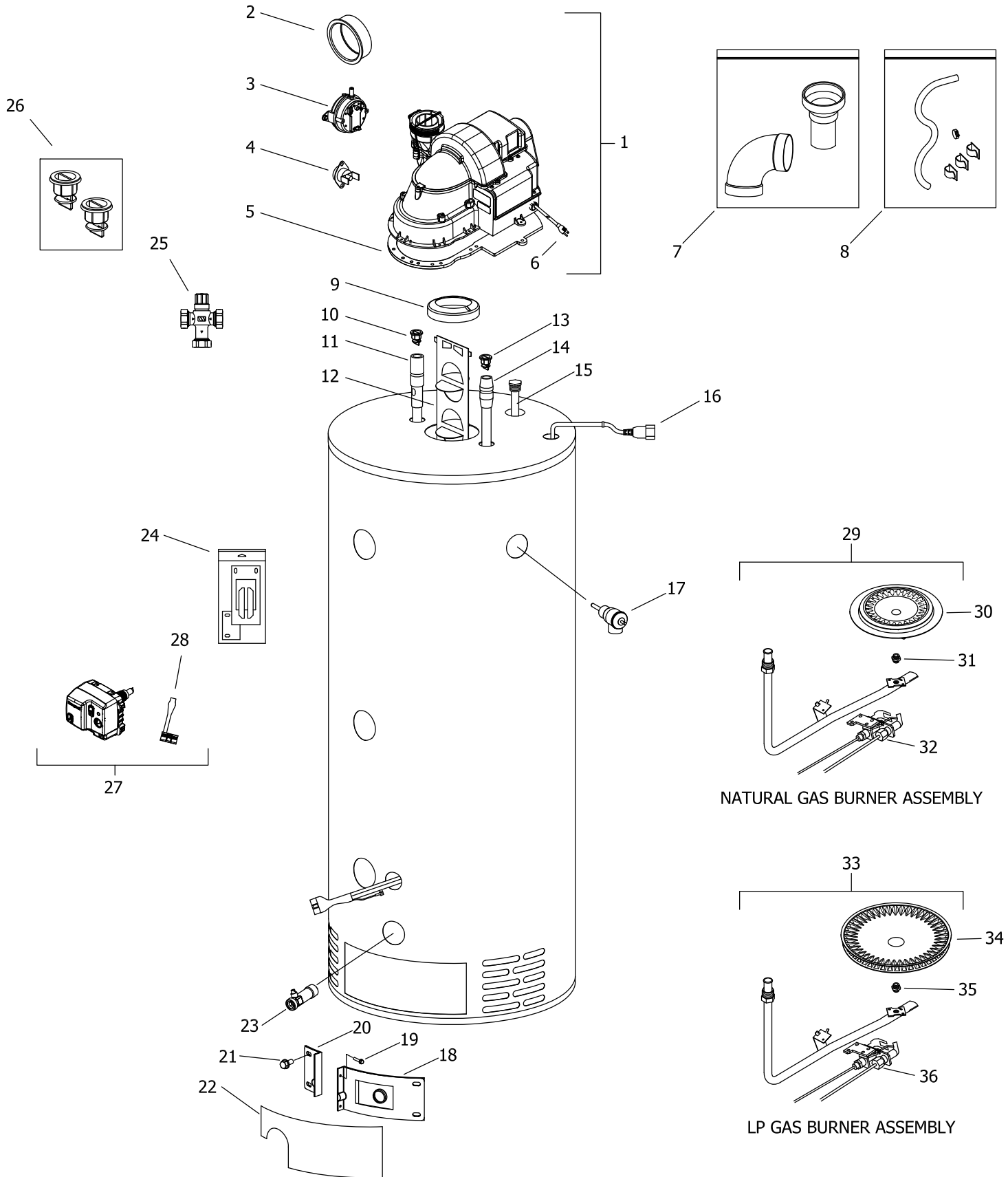
** Ordering a complete burner assembly may increase delivery time. Please order the specific component required for the quickest delivery.

▲ Order with item 10.

▲▲ Order with item 13.

A420 Anode may need to be cut to length

C(D,S)W2TW75T SERIES



Item	Description	Model
		C(D,S)W2TW75T10(BN,SX)19
1	Blower Complete	415-54694-00
2	Gasket Adapter Rubber PVC	415-53864-00
3	Pressure Switch	415-45867-07
4	Blower Temperature Switch	239-53995-00
5	Blower Gasket	239-53693-00
6	Blower Power Cord	239-45990-00
7	3" Vent Adaptor with Vent Terminal	239-54316-00
8	Condensate Hose Kit (Optional)	415-45875-00
9	Flue Reducer	243-42572-00
10	Heat Trap Insert (Outlet)	415-45073-00
11	Hot Water Outlet Anode (Aluminum) ▲	415-55485-00
	Hot Water Outlet Anode (A420 Aluminum) ▲#	415-55486-00
12	Flue Baffle	239-45373-00
13	Heat Trap Insert (Inlet)	415-45073-00
14	Cold Water Inlet Dip Tube ▲▲	229-39628-15
15	Plug Type Anode (Aluminum)	415-55484-00
16	Blower Harness	239-53966-02
17	T&P Valve	415-40594-02
18	Right Side Inner Door	239-45642-18
19	Screw #8-15 x 3/4	239-44195-00
20	Left Side Inner Door	239-43968-18
21	Screw #10-12 x 3/4	239-44113-00
22	Outer Door	243-43962-00
23	Brass Drain Valve	415-48070-02
24	Kit-Inner Door Gasket	239-44078-00
25	ASSE Approved Mixing Valve	239-51778-00
26	Kit-Heat Trap Insert	265-45419-00
27	Gas Valve Natural Gas	239-48795-04
	Gas Valve LP Gas	239-48796-04
28	Simulated Resistive Device Harness	239-49817-00
	Natural Gas (BN) Burner Assembly	
29	Nat. Gas (BN) Burner Assembly Complete**	265-54340-01-21
30	Nat. Gas (BN) Burner*	228-42506-00
31	Nat. Gas (BN) Main Burner Orifice*	234-41034-21
32	Nat. Gas Pilot Assembly*	233-45653-02
	LP Gas (SX) Burner Assembly	
33	LP Gas (SX) Burner Assembly Complete**	265-54342-01-40
34	LP Gas (SX) Burner*	228-54313-00
35	LP Gas (SX) Main Burner Orifice*	234-47064-40
36	LP Gas Pilot Assembly*	233-54338-02

* Inner door gasket kit recommended

** Ordering a complete burner assembly may increase delivery time. Please order the specific component required for the quickest delivery.

▲ Order with item 10.

▲▲ Order with item 13.

A420 Anode may need to be cut to length



United States

Sales 1-800-523-2931
Technical Support 1-800-334-3393
Email techsupport@bradfordwhite.com
Warranty 1-800-531-2111
Email warranty@bradfordwhite.com
Service Parts 1-800-538-2020
Email parts@bradfordwhite.com

Canada

Sales 1-866-690-0961 1-905-203-0600
Fax 905-636-0666
Warranty 1-800-531-2111
Email warranty@bradfordwhite.com
Technical Support 1-800-334-3393
Email techsupport@bradfordwhite.com
Service Parts and Orders ca.orders@bradfordwhite.com

For U.S. and Canada field service, contact your professional installer or local Bradford White sales representative.

International

General Contact international@bradfordwhite.com