



# ICON E™ RESIDENTIAL ELECTRIC REPLACEMENT PARTS LIST

## Upright and Lowboy Models



### Models Covered:

ERE130L

ERE(230, 240, 250)S

ERE(330, 340, 350)S

ERE(250, 255)T

ERE340T

ERE240L

ERE(230, 240, 250)L(N)

*Effective: October, 2024*

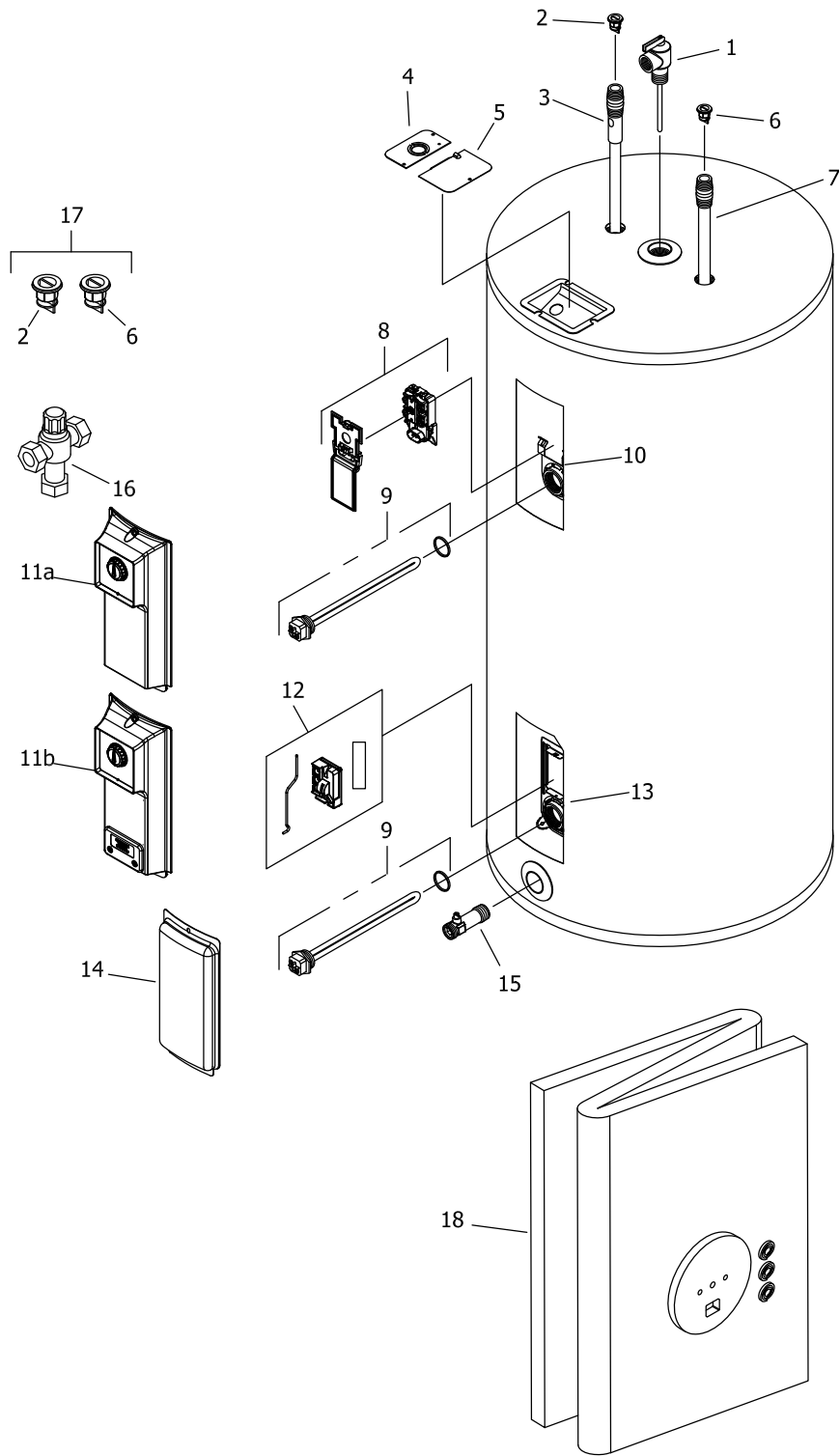
*ECO 8780*

NOTE: BOTH MODEL AND SERIAL  
NUMBERS ARE REQUIRED FOR  
ORDERING REPLACEMENT PARTS

Dimensions and specifications  
subject to change without notice.



As required by the state of California Proposition 65.



Item	Description	Model ERE230S	Model ERE240S	Model ERE250S
1	T&P Relief Valve	230-40594-02	230-40594-02	230-40594-02
2	Heat Trap Insert (Outlet)	239-45167-00	239-45167-00	239-45167-00
3	Hot Water Outlet Anode (Magnesium) ♦#	415-55482-00	415-55482-00	415-55482-00
	Hot Water Outlet Anode (Aluminum) ♦#	415-55484-00	415-55484-00	415-55484-00
	Hot Water Outlet Anode (A420 Aluminum) ♦#	415-55486-00	415-55486-00	415-55486-00
4	Cover Conduit/Ground w/ Ground Screw	239-53386-00	239-53386-00	239-53386-00
5	Cover Junction Box	243-39452-00	243-39452-00	243-39452-00
6	Heat Trap Insert (Inlet)	239-51556-00	239-51556-00	239-51556-00
7	Cold Water Inlet Tube PEX ♦♦	229-51230-21	229-51230-21	229-51230-21
8	High Limit w/ Protector	415-54111-00	415-54111-00	415-54111-00
9	Heating Element 240V 4500W w/ Gasket μ	415-48642-00	415-48642-00	415-48642-00
10	Thermostat Mounting Bracket	415-50689-00	415-50689-00	415-50689-00
11a	Control Module	415-54152-01	415-54152-01	415-54152-01
12	Power Switch Module (PSM) Kit	415-54581-00	415-54581-00	415-54581-00
13	PSM Mouting Bracket	239-54077-00	239-54077-00	239-54077-00
14	Access Cover	243-36618-02	243-36618-02	243-36618-02
15	Drain Valve	265-51684-01	265-51684-01	265-51684-01
16	ASSE Approved Mixing Valve	239-51778-00	239-51778-00	239-51778-00
17	Kit-Heat Trap Insert (PEX)	265-51572-00	265-51572-00	265-51572-00
18	Blanket Kit	239-50210-01	239-50210-01	239-50210-02

Item	Description	Model ERE230S%-CTA	Model ERE240S%-CTA	Model ERE250S%-CTA
1	T&P Relief Valve	230-40594-02	230-40594-02	230-40594-02
2	Heat Trap Insert (Outlet)	239-45167-00	239-45167-00	239-45167-00
3	Hot Water Outlet Anode (Magnesium) ♦#	415-55482-00	415-55482-00	415-55482-00
	Hot Water Outlet Anode (Aluminum) ♦#	415-55484-00	415-55484-00	415-55484-00
	Hot Water Outlet Anode (A420 Aluminum) ♦#	415-55486-00	415-55486-00	415-55486-00
4	Cover Conduit/Ground w/ Ground Screw	239-53386-00	239-53386-00	239-53386-00
5	Cover Junction Box	243-39452-00	243-39452-00	243-39452-00
6	Heat Trap Insert (Inlet)	239-51556-00	239-51556-00	239-51556-00
7	Cold Water Inlet Tube PEX ♦♦	229-51230-21	229-51230-21	229-51230-21
8	High Limit w/ Protector	415-54111-00	415-54111-00	415-54111-00
9	Heating Element 240V 4500W w/ Gasket μ	415-48642-00	415-48642-00	415-48642-00
10	Thermostat Mounting Bracket	415-50689-00	415-50689-00	415-50689-00
11b	Control Module	415-54579-01	415-54579-01	415-54579-01
12	Power Switch Module (PSM) Kit	415-54581-00	415-54581-00	415-54581-00
13	PSM Mouting Bracket	239-54077-00	239-54077-00	239-54077-00
14	Access Cover	243-36618-02	243-36618-02	243-36618-02
15	Drain Valve	265-51684-01	265-51684-01	265-51684-01
16	ASSE Approved Mixing Valve	239-51778-00	239-51778-00	239-51778-00
17	Kit-Heat Trap Insert (PEX)	265-51572-00	265-51572-00	265-51572-00
18	Blanket Kit	239-50210-01	239-50210-01	239-50210-02

♦ Order with item 2.

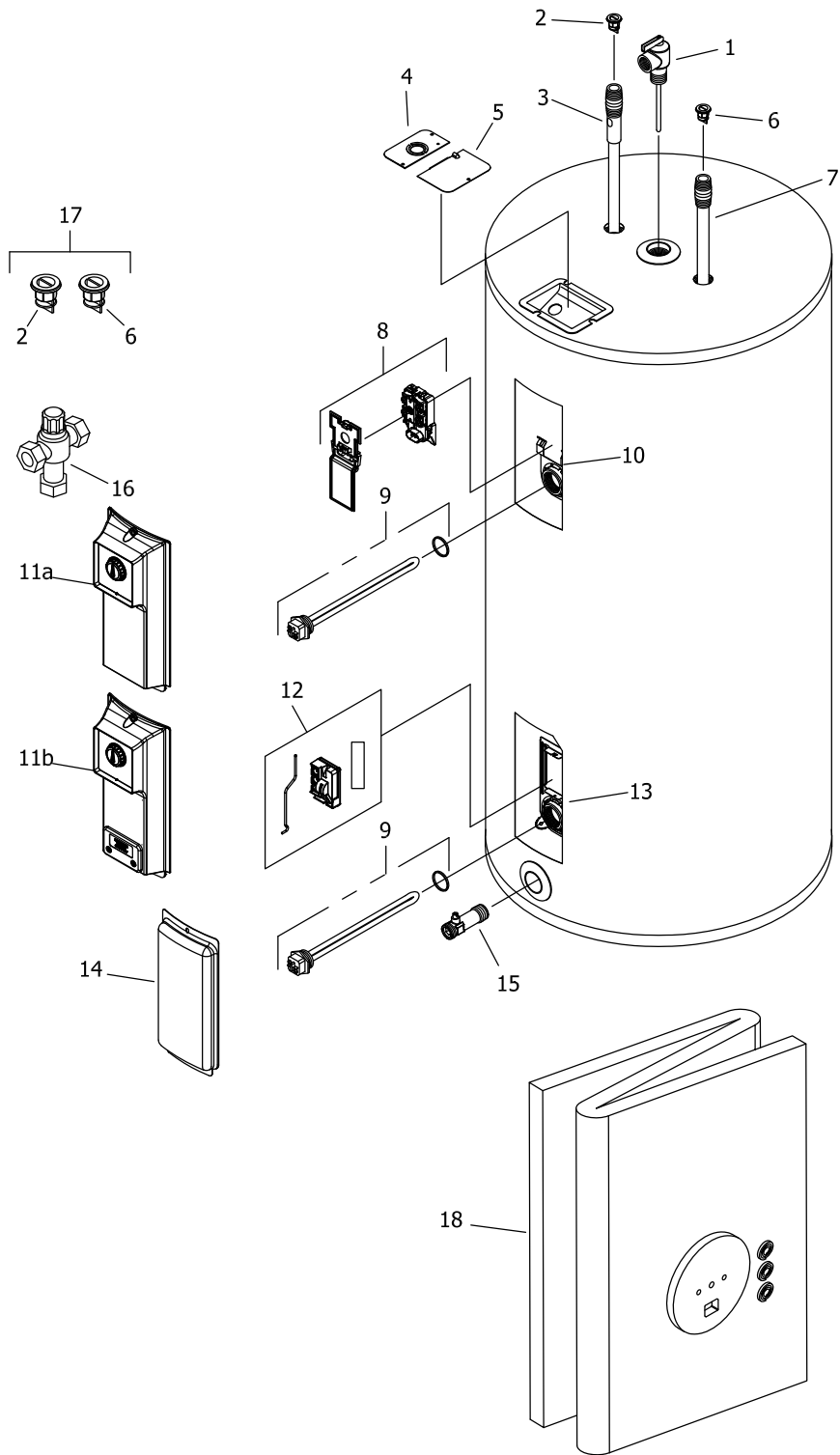
♦♦ Order with item 6.

▲ Thermostat protector provided with thermostat. The thermostat mounting bracket is also provided with the thermostat.

μ For other voltage and wattage combinations, refer to heating elements on page 16 & 17.

■ Upper and lower thermostats are packaged together.

# Anode may need to be cut to length, please see page 18 for reference chart of anode length by model.



Item	Description	Model ERE330S	Model ERE340S	Model ERE350S
1	T&P Relief Valve	230-40594-02	230-40594-02	230-40594-02
2	Heat Trap Insert (Outlet)	239-45167-00	239-45167-00	239-45167-00
3	Hot Water Outlet Anode (Magnesium) ♦#	415-55482-00	415-55482-00	415-55482-00
	Hot Water Outlet Anode (Aluminum) ♦#	415-55484-00	415-55484-00	415-55484-00
	Hot Water Outlet Anode (A420 Aluminum) ♦#	415-55486-00	415-55486-00	415-55486-00
4	Cover Conduit/Ground w/ Ground Screw	239-53386-00	239-53386-00	239-53386-00
5	Cover Junction Box	243-39452-00	243-39452-00	243-39452-00
6	Heat Trap Insert (Inlet)	239-51556-00	239-51556-00	239-51556-00
7	Cold Water Inlet Tube PEX ♦♦	229-51230-21	229-51230-21	229-51230-21
8	High Limit w/ Protector	415-54111-00	415-54111-00	415-54111-00
9	Heating Element 240V 4500W w/ Gasket μ	415-48642-00	415-48642-00	415-48642-00
10	Thermostat Mounting Bracket	415-50689-00	415-50689-00	415-50689-00
11a	Control Module	415-54152-01	415-54152-01	415-54152-01
12	Power Switch Module (PSM) Kit	415-54581-00	415-54581-00	415-54581-00
13	PSM Mouting Bracket	239-54077-00	239-54077-00	239-54077-00
14	Access Cover	243-36618-02	243-36618-02	243-36618-02
15	Drain Valve	265-51684-02	265-51684-02	265-51684-02
16	ASSE Approved Mixing Valve	239-51778-00	239-51778-00	239-51778-00
17	Kit-Heat Trap Insert (PEX)	265-51572-00	265-51572-00	265-51572-00
18	Blanket Kit	---	---	---

Item	Description	Model ERE330S%-CTA	Model ERE340S%-CTA	Model ERE350S%-CTA
1	T&P Relief Valve	230-40594-02	230-40594-02	230-40594-02
2	Heat Trap Insert (Outlet)	239-45167-00	239-45167-00	239-45167-00
3	Hot Water Outlet Anode (Magnesium) ♦#	415-55482-00	415-55482-00	415-55482-00
	Hot Water Outlet Anode (Aluminum) ♦#	415-55484-00	415-55484-00	415-55484-00
	Hot Water Outlet Anode (A420 Aluminum) ♦#	415-55486-00	415-55486-00	415-55486-00
4	Cover Conduit/Ground w/ Ground Screw	239-53386-00	239-53386-00	239-53386-00
5	Cover Junction Box	243-39452-00	243-39452-00	243-39452-00
6	Heat Trap Insert (Inlet)	239-51556-00	239-51556-00	239-51556-00
7	Cold Water Inlet Tube PEX ♦♦	229-51230-21	229-51230-21	229-51230-21
8	High Limit w/ Protector	415-54111-00	415-54111-00	415-54111-00
9	Heating Element 240V 4500W w/ Gasket μ	415-48642-00	415-48642-00	415-48642-00
10	Thermostat Mounting Bracket	415-50689-00	415-50689-00	415-50689-00
11b	Control Module	415-54579-01	415-54579-01	415-54579-01
12	Power Switch Module (PSM) Kit	415-54581-00	415-54581-00	415-54581-00
13	PSM Mouting Bracket	239-54077-00	239-54077-00	239-54077-00
14	Access Cover	243-36618-02	243-36618-02	243-36618-02
15	Drain Valve	265-51684-02	265-51684-02	265-51684-02
16	ASSE Approved Mixing Valve	239-51778-00	239-51778-00	239-51778-00
17	Kit-Heat Trap Insert (PEX)	265-51572-00	265-51572-00	265-51572-00
18	Blanket Kit	---	---	---

♦ Order with item 2.

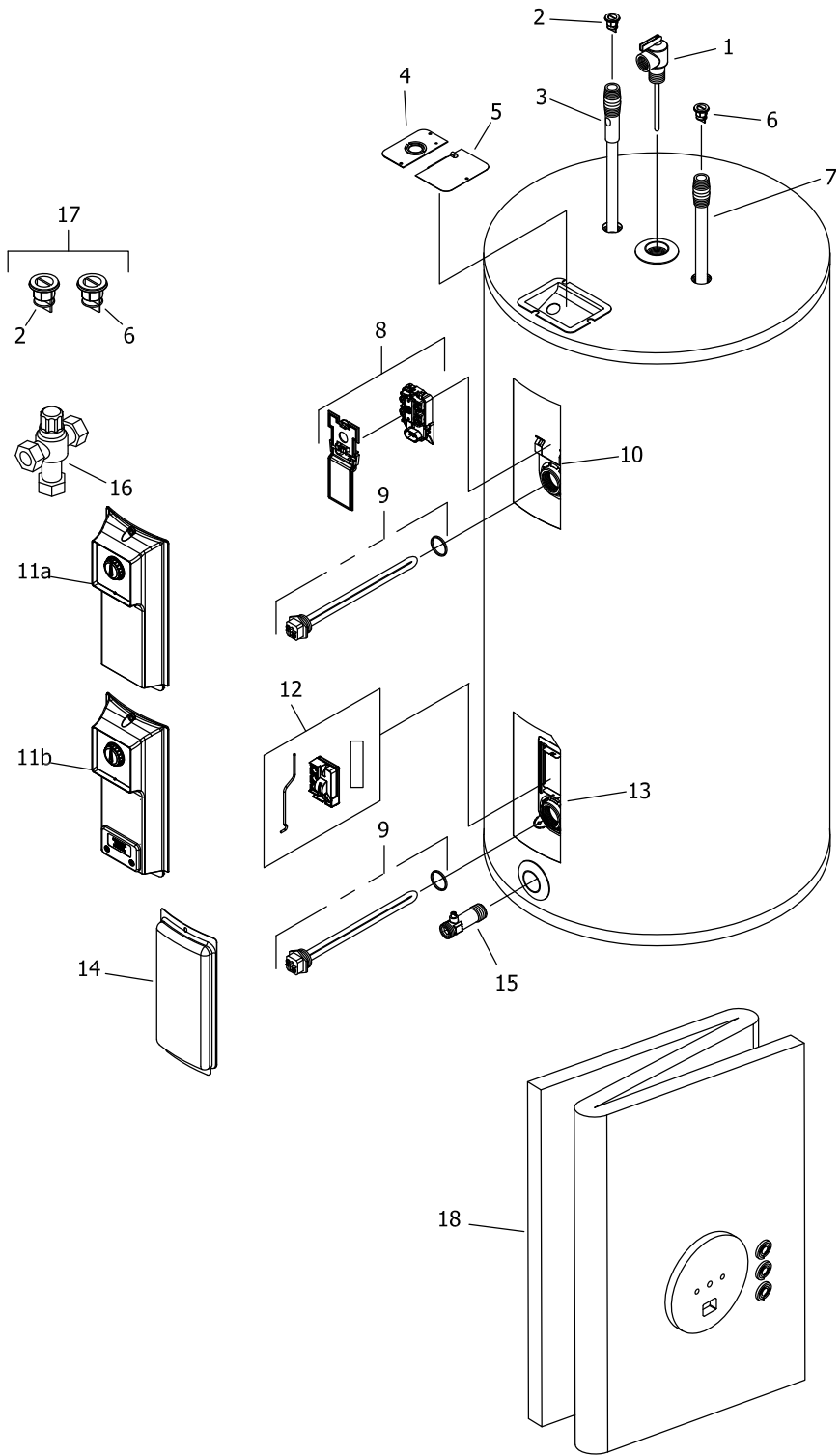
♦♦ Order with item 6.

▲ Thermostat protector provided with thermostat. The thermostat mounting bracket is also provided with the thermostat.

μ For other voltage and wattage combinations, refer to heating elements on page 16 & 17.

■ Upper and lower thermostats are packaged together.

# Anode may need to be cut to length, please see page 18 for reference chart of anode length by model.



Item	Description	Model ERE340T
1	T&P Relief Valve	230-40594-02
2	Heat Trap Insert (Outlet)	239-45167-00
3	Hot Water Outlet Anode (Magnesium) ♦#	415-55482-00
	Hot Water Outlet Anode (Aluminum) ♦#	415-55484-00
	Hot Water Outlet Anode (A420 Aluminum) ♦#	415-55486-00
4	Cover Conduit/Ground w/ Ground Screw	239-53386-00
5	Cover Junction Box	243-39452-00
6	Heat Trap Insert (Inlet)	239-51556-00
7	Cold Water Inlet Tube PEX ♦♦	229-51230-28
8	High Limit w/ Protector	415-54111-00
9	Heating Element 240V 4500W w/ Gasket μ (qty 2)	415-48642-00
10	Thermostat Mounting Bracket	415-50689-00
11a	Control Module	415-54152-01
12	Power Switch Module (PSM) Kit	415-54581-00
13	PSM Mouting Bracket	239-54077-00
14	Access Cover	243-36618-02
15	Brass Drain Valve	265-51684-02
16	ASSE Approved Mixing Valve	239-51778-00
17	Kit-Heat Trap Insert (PEX)	265-51572-00
18	Blanket Kit	---

Item	Description	Model ERE340T%-CTA
1	T&P Relief Valve	230-40594-02
2	Heat Trap Insert (Outlet)	239-45167-00
3	Hot Water Outlet Anode (Magnesium) ♦#	415-55482-00
	Hot Water Outlet Anode (Aluminum) ♦#	415-55484-00
	Hot Water Outlet Anode (A420 Aluminum) ♦#	415-55486-00
4	Cover Conduit/Ground w/ Ground Screw	239-53386-00
5	Cover Junction Box	243-39452-00
6	Heat Trap Insert (Inlet)	239-51556-00
7	Cold Water Inlet Tube PEX ♦♦	229-51230-28
8	High Limit w/ Protector	415-54111-00
9	Heating Element 240V 4500W w/ Gasket μ (qty 2)	415-48642-00
10	Thermostat Mounting Bracket	415-50689-00
11b	Control Module	415-54579-01
12	Power Switch Module (PSM) Kit	415-54581-00
13	PSM Mouting Bracket	239-54077-00
14	Access Cover	243-36618-02
15	Brass Drain Valve	265-51684-02
16	ASSE Approved Mixing Valve	239-51778-00
17	Kit-Heat Trap Insert (PEX)	265-51572-00
18	Blanket Kit	---

♦ Order with item 2.

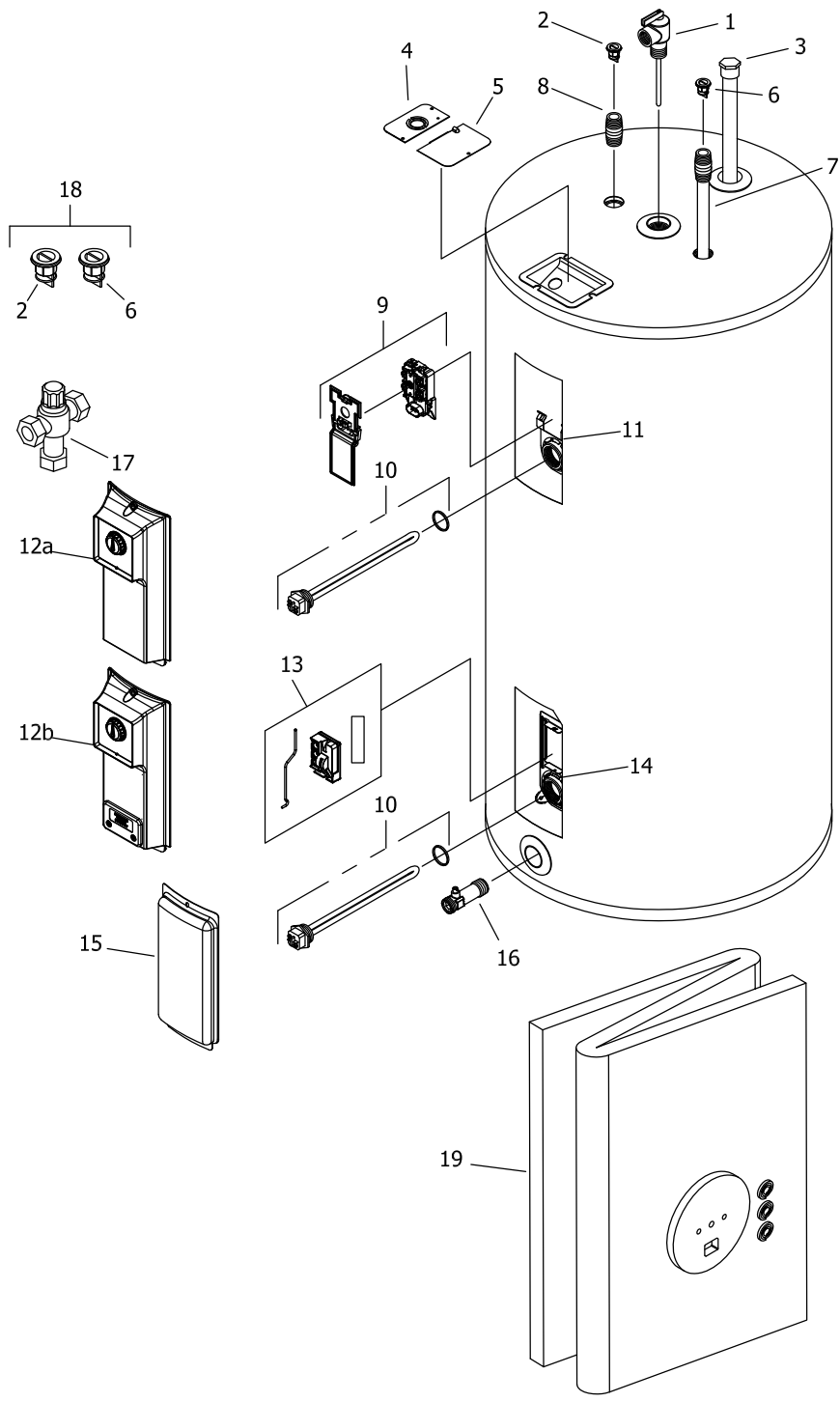
♦♦ Order with item 6.

▲ Thermostat protector provided with thermostat. The thermostat mounting bracket is also provided with the thermostat.

μ For other voltage and wattage combinations, refer to heating elements on page 16 & 17.

■ Upper and lower thermostats are packaged together.

# Anode may need to be cut to length, please see page 18 for reference chart of anode length by model.





Item	Description	Model	Model
		ERE250T	ERE250T%-CTA
1	T&P Relief Valve	230-40594-02	230-40594-02
2	Heat Trap Insert (Outlet)	239-45167-00	239-45167-00
3	Hot Water Outlet Anode (Magnesium) ♦#	---	---
	Hot Water Outlet Anode (Aluminum) ♦#	---	---
	Hex head Sacrificial Anode (Aluminum) ♦#	415-55485-00	415-55485-00
	Hot Water Outlet Anode (A420 Aluminum) ♦#	---	---
4	Cover Conduit/Ground w/ Ground Screw	239-53386-00	239-53386-00
5	Cover Junction Box	243-39452-00	243-39452-00
6	Heat Trap Insert (Inlet)	239-51556-00	239-51556-00
7	Cold Water Inlet Tube PEX ♦♦	229-51718-05	229-51718-05
8	Nipple outlet	229-50053-06	229-50053-06
9	High Limit w/ Protector	415-54111-00	415-54111-00
10	Heating Element 240V 4500W w/ Gasket μ (qty 2)	415-48642-00	415-48642-00
11	Thermostat Mounting Bracket	415-50689-00	415-50689-00
12a	Control Module	415-54152-01	---
12b	Control Module	---	415-54579-01
13	Power Switch Module (PSM) Kit	415-54581-00	415-54581-00
14	PSM Mounting Bracket	239-54077-00	239-54077-00
15	Access Cover	243-36618-02	243-36618-02
16	Brass Drain Valve	265-51684-01	265-51684-01
17	ASSE Approved Mixing Valve	239-51778-00	239-51778-00
18	Kit-Heat Trap Insert (PEX)	265-51572-00	265-51572-00
19	Blanket Kit	---	---

♦ Order with item 2.

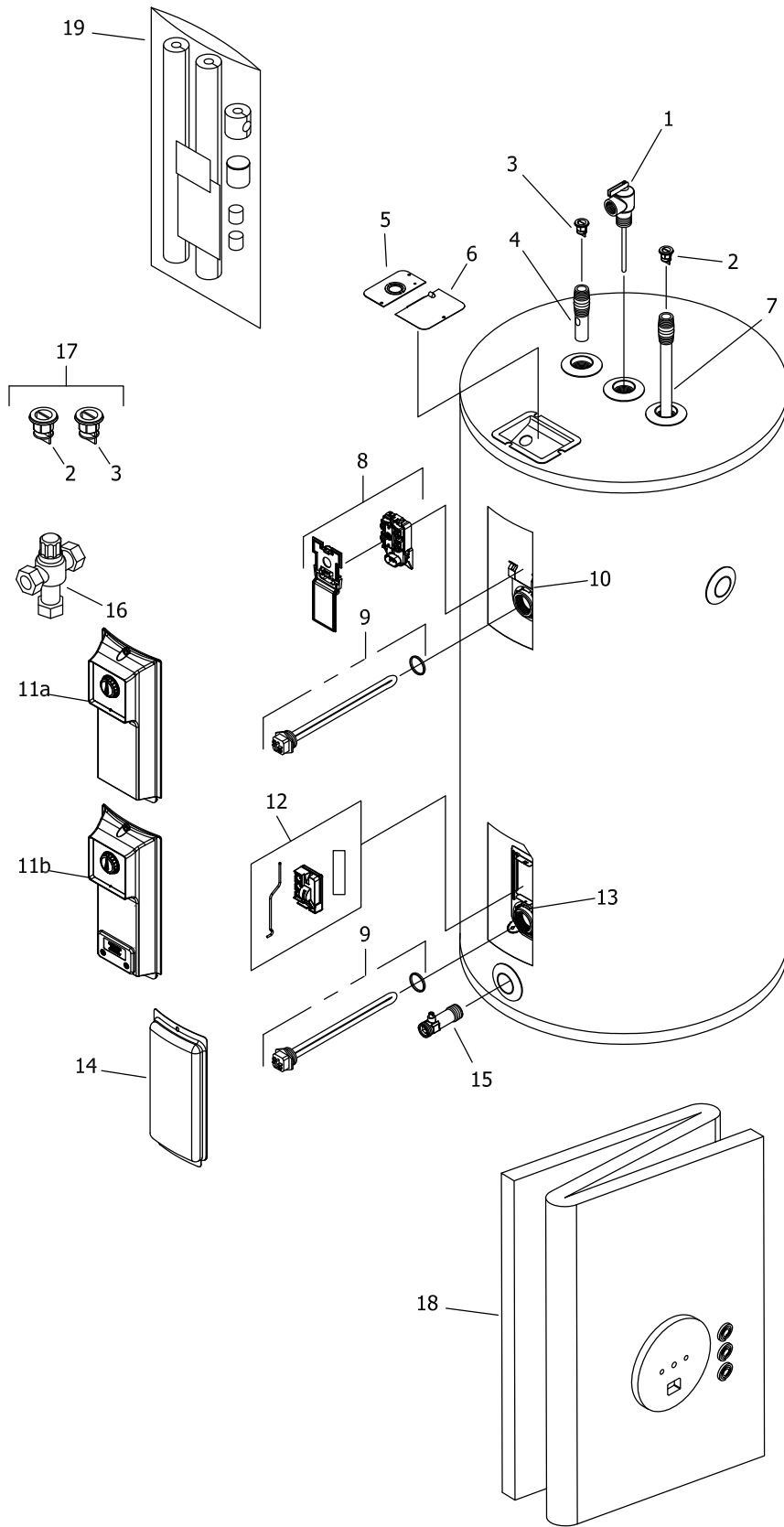
♦♦ Order with item 6.

▲ Thermostat protector provided with thermostat. The thermostat mounting bracket is also provided with the thermostat.

μ For other voltage and wattage combinations, refer to heating elements on page 16 & 17.

■ Upper and lower thermostats are packaged together.

# Anode may need to be cut to length, please see page 18 for reference chart of anode length by model.



Item	Description	Model	Model
		ERE240L	ERE240L%-CTA
1	T&P Relief Valve	230-40594-02	230-40594-02
2	Heat Trap Insert (Inlet)	239-51556-00	239-51556-00
3	Heat Trap Insert (Outlet)	239-45167-00	239-45167-00
4	Hot Water Outlet Anode (Magnesium) ♦#	415-55482-00	415-55482-00
	Hot Water Outlet Anode (Aluminum) ♦#	415-55484-00	415-55484-00
	Hot Water Outlet Anode (A420 Aluminum) ♦#	415-55486-00	415-55486-00
5	Cover Conduit/Ground w/ Ground Screw	239-53386-00	239-53386-00
6	Cover Junction Box	243-39452-00	243-39452-00
7	Cold Water Inlet Tube Pex ♦♦	229-51230-27	229-51230-27
8	High Limit w/ Protector	415-54111-00	415-54111-00
9	Heating Element 240V 4500W w/ Gasket (qty 2)	415-48642-00	415-48642-00
10	Thermostat Mounting Bracket	415-50689-00	415-50689-00
11a	Control Module	---	---
11b	Control Module	415-54579-01	415-54579-01
12	Power Switch Module (PSM) Kit	415-54581-00	415-54581-00
13	PSM Mounting Bracket	239-54077-00	239-54077-00
14	Access Cover	243-36618-02	243-36618-02
15	Drain Valve	265-51684-01	265-51684-01
16	ASSE Approved Mixing Valve	239-51778-00	239-51778-00
17	Kit-Heat Trap Insert (PEX)	265-51572-00	265-51572-00
18	Blanket Kit	239-50210-04	239-50210-04
19	Insulation Kit	239-48949-00	239-48949-00

♦ Order with item 2.

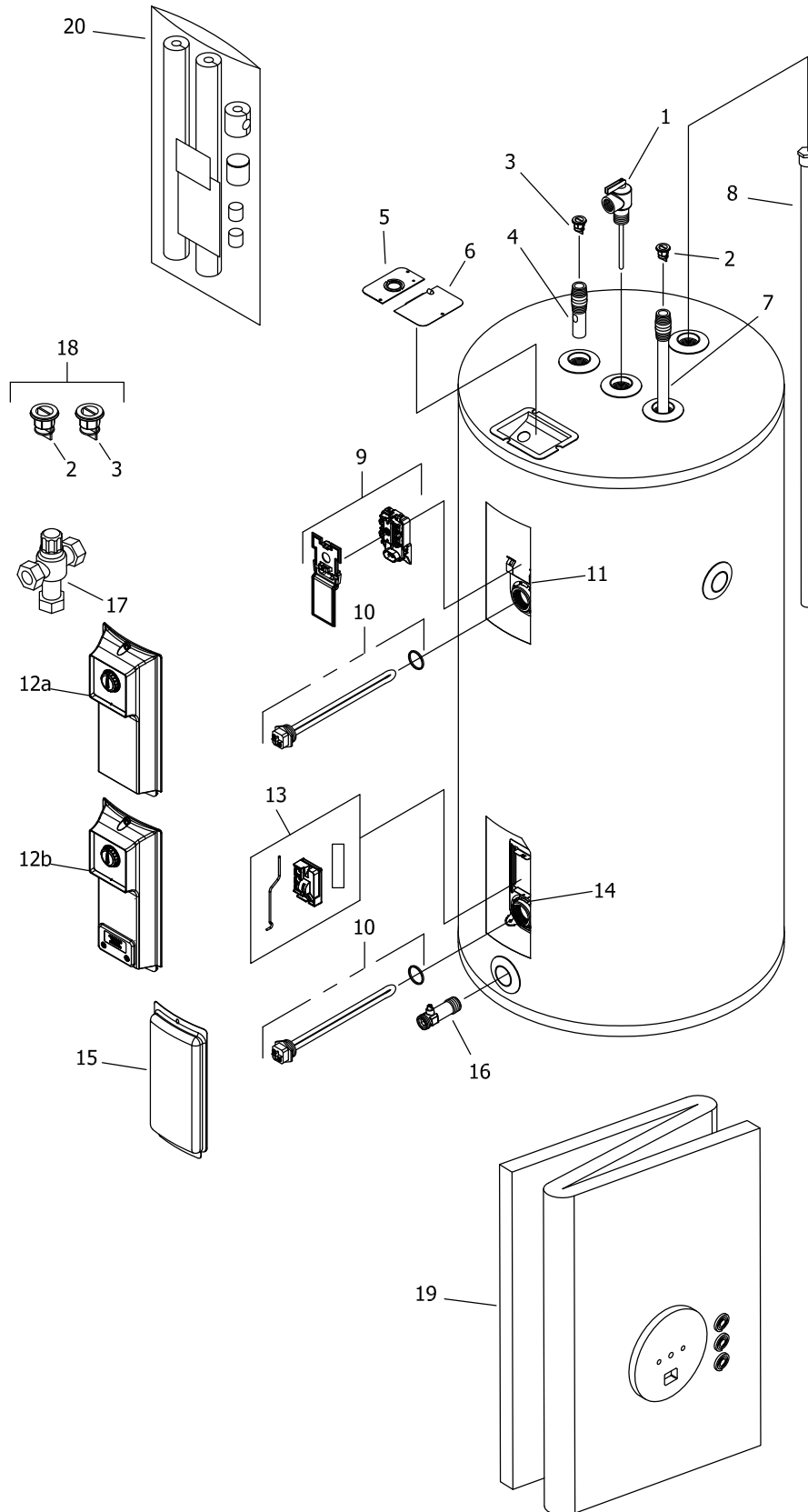
♦♦ Order with item 6.

▲ Thermostat protector provided with thermostat. The thermostat mounting bracket is also provided with the thermostat.

μ For other voltage and wattage combinations, refer to heating elements on page 16 & 17.

■ Upper and lower thermostats are packaged together.

# Anode may need to be cut to length, please see page 18 for reference chart of anode length by model.



Item	Description	Model ERE130L	Model ERE230LN	Model ERE240LN	Model ERE250L(N)	Model ERE255T
1	T&P Relief Valve	230-40594-02	230-40594-02	230-40594-02	230-40594-02	230-40594-04
2	Heat Trap Insert (Inlet)	239-51556-00	239-51556-00	239-51556-00	239-51556-00	239-51556-00
3	Heat Trap Insert (Outlet)	239-51556-00	239-51556-00	239-51556-00	239-51556-00	239-45167-00
4	Hot Water Outlet Device ♦	229-51995-00	229-51995-00	229-51858-00	229-51858-00	229-50053-06
5	Cover Conduit/Ground w/ Ground Screw	239-53386-00	239-53386-00	239-53386-00	239-53386-00	239-53386-00
6	Cover Junction Box	243-39452-00	243-39452-00	243-39452-00	243-39452-00	243-39452-00
7	Cold Water Inlet Tube PEX ♦	229-51718-03	229-51718-03	229-52007-01	229-51718-02	229-51718-05
8	Hex head Sacrificial Anode (Magnesium) #	415-55483-00	415-55483-00	415-55483-00	415-55483-00	415-55483-00
	Hex head Sacrificial Anode (Aluminum) #	415-55485-00	415-55485-00	415-55485-00	415-55485-00	415-55485-00
	Hex head Sacrificial Anode (A420 Aluminum) #	415-55487-00	415-55487-00	415-55487-00	415-55487-00	415-55487-00
9	High Limit w/ Protector	415-54111-00	415-54111-00	415-54111-00	415-54111-00	415-54111-00
10	Heating Element 240V 4500W w/ Gasket μ (qty 2)	415-42544-08	415-42544-08	415-48642-00	415-48642-00	415-48642-00
11	Thermostat Mounting Bracket	415-50689-00	415-50689-00	415-50689-00	415-50689-00	415-50689-00
12a	Control Module	415-54152-01	415-54152-01	415-54152-01	415-54152-01	415-54152-01
13	Power Switch Module (PSM) Kit	415-54581-00	415-54581-00	415-54581-00	415-54581-00	415-54581-00
14	PSM Mouting bracket	239-54077-00	239-54077-00	239-54077-00	239-54077-00	239-54077-00
15	Access Cover	243-36618-02	243-36618-02	243-36618-02	243-36618-02	243-36618-02
16	Brass Drain Valve	265-42351-02	265-51684-02	265-51684-02	265-51684-01	265-51684-02
17	ASSE Approved Mixing Valve	239-51778-00	239-51778-00	239-51778-00	239-51778-00	239-51778-00
18	Kit-Heat Trap Insert (PEX)	265-51875-00	265-51875-00	265-51875-00	265-51875-00	265-51572-00
19	Blanket Kit	239-50210-06	---	---	---	---
20	Insulation Kit	239-48949-00	239-48949-00	239-48949-00	239-48949-00	---

Item	Description	Model ERE130L%-CTA	Model ERE230LN%-CTA	Model ERE240LN%-CTA	Model ERE250L(N)%-CTA	Model ERE255T%-CTA
1	T&P Relief Valve	230-40594-02	230-40594-02	230-40594-02	230-40594-02	230-40594-04
2	Heat Trap Insert (Inlet)	239-51556-00	239-51556-00	239-51556-00	239-51556-00	239-51556-00
3	Heat Trap Insert (Outlet)	239-51556-00	239-51556-00	239-51556-00	239-51556-00	239-45167-00
4	Hot Water Outlet Device ♦	229-51995-00	229-51995-00	229-51858-00	229-51858-00	229-50053-06
5	Cover Conduit/Ground w/ Ground Screw	239-53386-00	239-53386-00	239-53386-00	239-53386-00	239-53386-00
6	Cover Junction Box	243-39452-00	243-39452-00	243-39452-00	243-39452-00	243-39452-00
7	Cold Water Inlet Tube PEX ♦	229-51718-03	229-51718-03	229-52007-01	229-51718-02	229-51718-05
8	Hex head Sacrificial Anode (Magnesium) #	415-55483-00	415-55483-00	415-55483-00	415-55483-00	415-55483-00
	Hex head Sacrificial Anode (Aluminum) #	415-55485-00	415-55485-00	415-55485-00	415-55485-00	415-55485-00
	Hex head Sacrificial Anode (A420 Aluminum) #	415-55487-00	415-55487-00	415-55487-00	415-55487-00	415-55487-00
9	High Limit w/ Protector	415-54111-00	415-54111-00	415-54111-00	415-54111-00	415-54111-00
10	Heating Element 240V 4500W w/ Gasket μ (qty 2)	415-42544-08	415-42544-08	415-48642-00	415-48642-00	415-48642-00
11	Thermostat Mounting Bracket	415-50689-00	415-50689-00	415-50689-00	415-50689-00	415-50689-00
12b	Control Module	415-54579-01	415-54579-01	415-54579-01	415-54579-01	415-54579-01
13	Power Switch Module (PSM) Kit	415-54581-00	415-54581-00	415-54581-00	415-54581-00	415-54581-00
14	PSM Mouting bracket	239-54077-00	239-54077-00	239-54077-00	239-54077-00	239-54077-00
15	Access Cover	243-36618-02	243-36618-02	243-36618-02	243-36618-02	243-36618-02
16	Brass Drain Valve	265-42351-02	265-51684-02	265-51684-02	265-51684-01	265-51684-02
17	ASSE Approved Mixing Valve	239-51778-00	239-51778-00	239-51778-00	239-51778-00	239-51778-00
18	Kit-Heat Trap Insert (PEX)	265-51875-00	265-51875-00	265-51875-00	265-51875-00	265-51572-00
19	Blanket Kit	239-50210-06	---	---	---	---
20	Insulation Kit	239-48949-00	239-48949-00	239-48949-00	239-48949-00	---

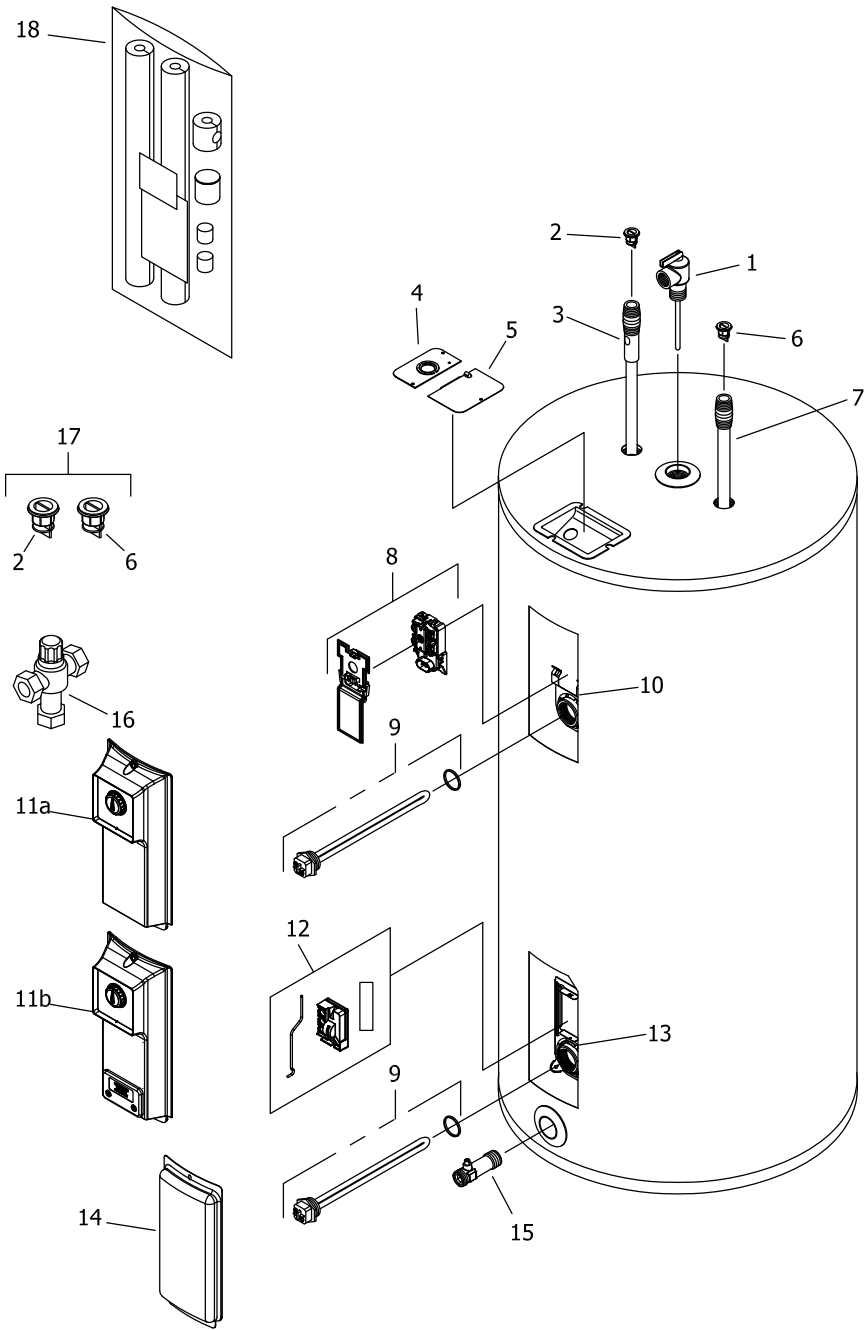
♦ Order with item 2.

▲ Thermostat protector provided with thermostat. The thermostat mounting bracket is also provided with the thermostat.

μ For other voltage and wattage combinations, refer to heating elements on page 16 & 17.

■ Upper and lower thermostats are packaged together.

# Anode may need to be cut to length, please see page 18 for reference chart of anode length by model.



Item	Description	Model ERE380T	Model ERE380T%-CTA	Model ERE3120T	Model ERE3120T%-CTA
1	T&P Relief Valve	230-40594-02	230-40594-02	230-40594-02	230-40594-02
2	Heat Trap Insert (Outlet)	239-45167-00	239-45167-00	239-45167-00	239-45167-00
3	Hot Water Outlet Anode (Magnesium) ♦#	415-55482-00	415-55482-00	224-47780-01	224-47780-01
	Hot Water Outlet Anode (Aluminum) ♦#	415-55484-00	415-55484-00	415-55484-00	415-55484-00
	Hot Water Outlet Anode (A420 Aluminum) ♦#	415-55486-00	415-55486-00	415-55486-00	415-55486-00
4	Cover Conduit/Ground w/ Ground Screw	239-53386-00	239-53386-00	239-53386-00	239-53386-00
5	Cover Junction Box	243-39452-00	243-39452-00	243-39452-00	243-39452-00
6	Heat Trap Insert (Inlet)	239-51556-00	239-51556-00	239-51556-00	239-51556-00
7	Cold Water Inlet Tube PEX ♦♦	229-51230-33	229-51230-33	229-45032-01	229-45032-01
8	High Limit w/ Protector	415-54111-00	415-54111-00	415-54111-00	415-54111-00
9	Heating Element 240V 4500W w/ Gasket μ (qty 2)	415-48642-00	415-48642-00	415-48642-00	415-48642-00
10	Thermostat Mounting Bracket	415-50689-00	415-50689-00	415-50689-00	415-50689-00
11a	Control Module	415-54152-01	415-54152-01	---	---
11b	Control Module	---	---	415-54579-01	415-54579-01
12	Power Switch Module (PSM) Kit	415-54581-00	415-54581-00	415-54581-00	415-54581-00
13	PSM Mounting bracket	239-54077-00	239-54077-00	239-54077-00	239-54077-00
14	Access Cover	243-36618-02	243-36618-02	243-36618-02	243-36618-02
15	Brass Drain Valve	265-42351-04	265-42351-04	265-42351-04	265-42351-04
16	ASSE Approved Mixing Valve	239-51778-00	239-51778-00	239-51778-00	239-51778-00
17	Kit-Heat Trap Insert (PEX)	265-51572-00	265-51572-00	265-51572-00	265-51572-00
18	Insulation Kit	239-48949-00	239-48949-00	239-48949-00	239-48949-00

♦ Order with item 2.

♦♦ Order with item 6.

▲ Thermostat protector provided with thermostat. The thermostat mounting bracket is also provided with the thermostat.

μ For other voltage and wattage combinations, refer to heating elements on page 16 & 17.

■ Upper and lower thermostats are packaged together.

# Anode may need to be cut to length, please see page 18 for reference chart of anode length by model.

**Heating Elements (Copper) for:  
iCONE Residential Series (ERE)**

Wattage	120 Volt	208 Volt	240 Volt
1000W ▲	415-42540-01	415-42544-01	415-42546-01
1250W ▲	N/A	N/A	415-42544-13
1500W ▲	415-42540-02	415-42544-03	415-42544-01
1500W (LWD)▲	415-42540-03	N/A	415-42544-02
2000W ▲	415-42540-04	415-42544-04	415-42544-03
2500W ▲	415-42540-05	415-42544-06	415-42544-04
3000W ▲	415-42540-07	415-42544-14	415-42544-05
3500W ▲▲	N/A	415-42544-08	415-42544-06
3800W ▲▲	N/A	N/A	415-42546-10
4000W ▲▲	N/A	415-42544-16	415-42544-14
4500W ▲▲	N/A	415-42544-12	415-42544-08
4500W (LWD) ▲▲	N/A	N/A	N/A
5000W ▲▲	N/A	N/A	415-42544-10
5500W ▲▲	N/A	N/A	415-42544-16
6000W ▲▲	N/A	N/A	415-42544-12
Element gasket ^	223-34019-00	223-34019-00	223-34019-00
Element plug	223-34020-00	223-34020-00	223-34020-00

(LWD) = Low Watt Density

▲ For 12" Diameter tanks and above.

▲▲ For 14" Diameter tanks and above.

\* For 16" Diameter tanks and above.

\*\* For 18" Diameter tanks and above.

^ Element gaskets included with elements.



**Heating Elements (Incoloy) for:  
iCONE Residential Series (ERE)**

Wattage	120 Volt	208 Volt	240 Volt
1000W ▲	N/A	N/A	415-42547-10
1250W ▲	N/A	N/A	N/A
1500W ▲	415-42541-02	415-42545-02	415-42545-13
1500W (LWD)▲	N/A	N/A	N/A
2000W ▲	N/A	415-42545-14	415-42545-02
2500W ▲	N/A	415-42545-11	415-42545-14
3000W ▲	N/A	415-42545-12	415-42545-15
3500W ▲▲	N/A	415-41985-10	415-42545-11
3800W ▲▲	N/A	N/A	415-42547-15
4000W ▲▲	N/A	415-42545-17	415-42545-12
4500W ▲▲	N/A	415-42545-19	415-51328-07
4500W (LWD) ▲▲	N/A	N/A	N/A
5000W ▲▲	N/A	415-42543-04	415-42545-18
5500W ▲▲	N/A	415-42543-05	415-42545-17
6000W ▲▲	N/A	415-42543-06	415-42545-19
Element gasket ^	223-34019-00	223-34019-00	223-34019-00
Element plug	223-34020-00	223-34020-00	223-34020-00

(LWD) = Low Watt Density

Element wrench \*\*\* 415-35897-12

Adapt-a-flange kit \*\*\* 265-36968-12

\*\*\* For use with residential, LD, E32, and MII series heating elements only. Not for use with commercial "A" series heating elements.

▲ For 12" Diameter tanks and above.

▲▲ For 14" Diameter tanks and above.

\* For 16" Diameter tanks and above.

\*\* For 18" Diameter tanks and above.

^ Element gaskets included with elements.



## United States

---

**Sales** 1-800-523-2931  
**Technical Support** 1-800-334-3393  
**Email** [techsupport@bradfordwhite.com](mailto:techsupport@bradfordwhite.com)  
**Warranty** 1-800-531-2111  
**Email** [warranty@bradfordwhite.com](mailto:warranty@bradfordwhite.com)  
**Service Parts** 1-800-538-2020  
**Email** [parts@bradfordwhite.com](mailto:parts@bradfordwhite.com)

## Canada

---

**Sales** 1-866-690-0961 1-905-203-0600  
**Fax** 905-636-0666  
**Warranty** 1-800-531-2111  
**Email** [warranty@bradfordwhite.com](mailto:warranty@bradfordwhite.com)  
**Technical Support** 1-800-334-3393  
**Email** [techsupport@bradfordwhite.com](mailto:techsupport@bradfordwhite.com)  
**Service Parts and Orders** [ca.orders@bradfordwhite.com](mailto:ca.orders@bradfordwhite.com)

For U.S. and Canada field service, contact your professional installer or local Bradford White sales representative.

## International

---

**General Contact** [international@bradfordwhite.com](mailto:international@bradfordwhite.com)