



COMMERCIAL GAS REPLACEMENT PARTS LIST



Models Covered:
PAGE #3 SECTION 1: SERIAL NUMBERS
“XF-” (JUN. 2021 AND LATER) WITH
“-NDD” DESIGNATOR

UCG80H125*(N,X)(A)

UCG(80,100)H199*(N,X)(A)

UCG(80,100)H270*(N,X)(A)

UCG(80,100)H399*(N,X)(A)

(* Denotes warranty years)

PAGE #13 SECTION 2: SERIAL NUMBERS
“XL-” (NOV. 2021 AND LATER)
WITH “-NDD-895” DESIGNATOR

UCG80H125*(N,X)(A)

UCG(80,100)H199*(N,X)(A)

(* Denotes warranty years)

*Includes Hydrojet®
Total Performance System*

Effective: July, 2024
ECO 8831

**NOTE: BOTH MODEL AND SERIAL
NUMBERS ARE REQUIRED FOR
ORDERING REPLACEMENT PARTS**

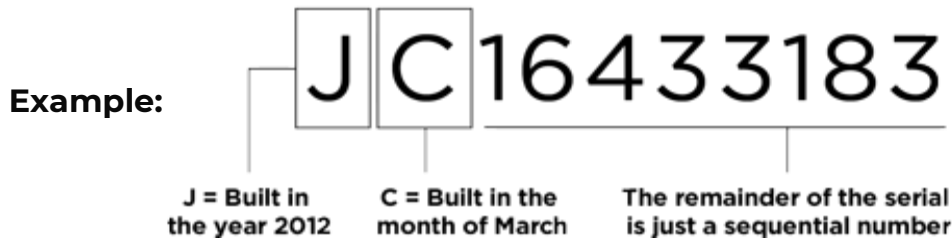
Dimensions and specifications
subject to change without notice.



As required by the state of California Proposition 65.

Determining the Age of Your Water Heater

SERIAL NUMBER SECTION: The first two characters represent the year and month of manufacture. The remainder of the serial is a sequential production number, seven digits in length before December 2007 (DM), and eight digits in length after.



Production Year	
B = 1985 or 2005	M = 1995 or 2015
C = 1986 or 2006	N = 1996 or 2016
D = 1987 or 2007	P = 1997 or 2017
E = 1988 or 2008	S = 1998 or 2018
F = 1989 or 2009	T = 1999 or 2019
G = 1990 or 2010	W = 2000 or 2020
H = 1991 or 2011	X = 2001 or 2021
J = 1992 or 2012	Y = 2002 or 2022
K = 1993 or 2013	Z = 2003 or 2023
L = 1994 or 2014	A = 2004 or 2024

Production Month	
A = January	G = July
B = February	H = August
C = March	J = September
D = April	K = October
E = May	L = November
F = June	M = December

For the year column, we do not use the letters: I, O, Q, R U, V

For the month column we do not use the letters: I & N – Z

Due to a computer error, there were some OA serial water heaters manufactured. They were built in January of 1997.

Determining the Designator of Your Water Heater

DESIGNATOR SECTION: See special product type designator in this location on the rating plate.

If "D/N:" line is blank, then there is no designator.

Example in red box:

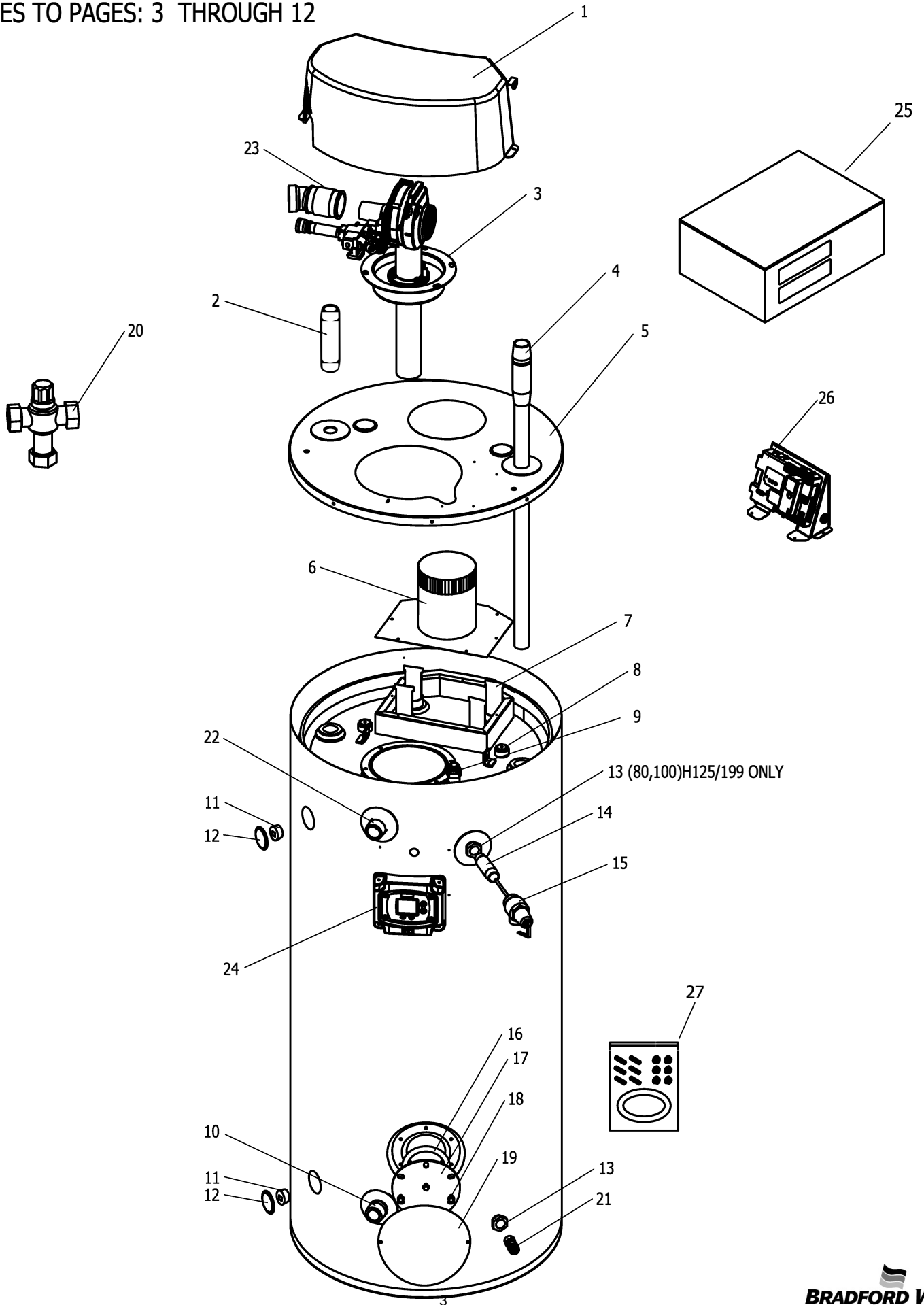
BRADFORD WHITE CORPORATION www.bradfordwhite.com 11
 200 LAFAYETTE STREET MIDDLEVILLE MI 49333 USA
 Model No: UCG100H1993N
 Serial No: XK48743747 D/N: -NDD-895
 Capacity : 100 US gal Recovery: 197 gph
 378.5 liters Type: NATURAL GAS
 Input: 199999(Btu/hr)
 Gas Pressure Manifold : 0.00(InWC)
 120V 60 Hz Less than 12 amps
 Alcove Installation, Combustible Floors:
 Min Clearances from Combustible Construction
 0" (Sides/Rear) 0" (Top) 6" (Vent Conn)
 For use only with Automatic Flue Device Part
 No. N/A FOLLOW INSTALLATION INSTRUCTIONS
 AUTOMATIC STORAGE TANK / CIRCULATING TANK
 CATEGORY I FAN ASSISTED
 ANSI Z21.10.3-2017/CSA 4.3-2017
 Pressure: Test 300 psi, Working 150 psi
 COMPLIES W/JURISDICTIONS HAVING 14ng/J NOx REGS

BRADFORD WHITE CORPORATION www.bradfordwhite.com 11
 200 LAFAYETTE STREET MIDDLEVILLE MI 49333 USA
 Model No: UCG100H1993N
 Serial No: XK48743747 D/N: -NDD
 Capacity : 100 US gal Recovery: 197 gph
 378.5 liters Type: NATURAL GAS
 Input: 199999(Btu/hr)
 Gas Pressure Manifold : 0.00(InWC)
 120V 60 Hz Less than 12 amps
 Alcove Installation, Combustible Floors:
 Min Clearances from Combustible Construction
 0" (Sides/Rear) 0" (Top) 6" (Vent Conn)
 For use only with Automatic Flue Device Part
 No. N/A FOLLOW INSTALLATION INSTRUCTIONS
 AUTOMATIC STORAGE TANK / CIRCULATING TANK
 CATEGORY I FAN ASSISTED
 ANSI Z21.10.3-2017/CSA 4.3-2017
 Pressure: Test 300 psi, Working 150 psi
 COMPLIES W/JURISDICTIONS HAVING 14ng/J NOx REGS

SECTION 1: Serial Numbers "XF-" (June 2021 and Later)

with -NDD Designator

APPLIES TO PAGES: 3 THROUGH 12



SECTION 1: Serial Numbers "XF-" (June 2021 and Later) with -NDD Designator

APPLIES TO PAGES: 3 THROUGH 12

Item	Description	Model	Model	Model	Model	Model	Model
		UCG80H1253N	UCG80H1253X	UCG80H1993N	UCG80H1993X	UCG80H2703N	UCG80H2703X
1	Surround with Latches	239-50510-00	239-50510-00	239-50510-00	239-50510-00	239-50510-00	239-50510-00
2	Nipple Hot Water Outlet Plastisert (Top Connection)	229-40913-01	229-40913-01	229-40913-01	229-40913-01	229-40913-01	229-40913-01
3	Combustion System Assembly	265-54264-05	265-54264-06	265-54264-07	265-54264-08	265-54264-09	265-54264-10
4	Inlet Tube Hydrojet (Top Connection)	415-46709-01	415-46709-01	415-46709-01	415-46709-01	415-46709-01	415-46709-01
5	Jacket Head	239-51297-01	239-51297-01	239-51297-01	239-51297-01	239-51297-01	239-51297-01
6	Exhaust Collector Cover/Vent Connection	239-54208-03	239-54208-03	239-54208-01	239-54208-01	239-54208-01	239-54208-01
7	Baffle 2" Flue (UCG(80,100)H(125,199) models req 4)(UCG(80,100)H(270,399) models req 6)	239-54132-00	239-54132-00	239-54136-00	239-54136-00	239-54136-00	239-54136-00
8	Anode (Magnesium) (up to 3 req'd)#	415-47782-05	415-47782-05	415-47782-05	415-47782-05	415-47782-05	415-47782-05
	Anode (Aluminum) (up to 3 req'd)#	415-38508-04	415-38508-04	415-38508-04	415-38508-04	415-38508-04	415-38508-04
	Anode (Aluminum A420) (up to 3 req'd)#	415-49559-04	415-49559-04	415-49559-04	415-49559-04	415-49559-04	415-49559-04
9	Well Sensor	233-46558-03	233-46558-03	233-46558-03	233-46558-03	233-46558-03	233-46558-03
10	Inlet Tube Hydrojet (Front Connection)	415-44375-00	415-44375-00	415-44375-00	415-44375-00	415-44375-00	415-44375-00
11	Plug (2 Req'd)	239-02048-00	239-02048-00	239-02048-00	239-02048-00	239-02048-00	239-02048-00
12	Hole Closure (4 req'd)	239-31547-02	239-31547-02	239-31547-02	239-31547-02	239-31547-02	239-31547-02
13	1" to 3/4" Bushing 2 req'd (Except 1 req'd for 270kBTUH models)	239-02052-00	239-02052-00	239-02052-00	239-02052-00	239-02052-00	239-02052-00
14	T&P Nipple	229-32762-02	229-32762-02	229-32762-02	229-32762-02	239-50053-02	239-50053-02
15	T&P Valve	415-30246-00	415-30246-00	415-30246-00	415-30246-00	415-33630-04	415-33630-04
16	Cleanout Gasket	205-18427-00	205-18427-00	205-18427-00	205-18427-00	205-18427-00	205-18427-00
17	Cleanout Cover	205-18428-00	205-18428-00	205-18428-00	205-18428-00	205-18428-00	205-18428-00
18	Screw 5/16 - 18 x 1/2 (6 req'd)	239-82166-00	239-82166-00	239-82166-00	239-82166-00	239-82166-00	239-82166-00
19	Clean Out Cover Access	243-20299-00	243-20299-00	243-20299-00	243-20299-00	243-20299-00	243-20299-00
20	Mixing Device (Optional)	239-51778-00	239-51778-00	239-51778-00	239-51778-00	239-51778-00	239-51778-00
21	Drain Valve Brass (No Handle)	415-42351-02	415-42351-02	415-42351-02	415-42351-02	415-42351-02	415-42351-02
22	Nipple Hot Water Outlet Plastisert (Front Connection)	229-40913-07	229-40913-07	229-40913-07	229-40913-07	229-40913-07	229-40913-07
23	Intake Vent Terminal	239-50597-00	239-50597-00	239-50597-00	239-50597-00	239-50597-00	239-50597-00
24	Display Mount Assembly*	243-51213-00	243-51213-00	243-51213-00	243-51213-00	243-51213-00	243-51213-00
25	BMS Gateway Kit (Optional)	415-53943-00	415-53943-00	415-53943-00	415-53943-00	415-53943-00	415-53943-00
26	Control Panel Assembly 5,000 RPM Ignition*	243-54252-00	243-54252-00	243-54252-00	243-54252-00	243-54252-00	243-54252-00
27	Kit-Cleanout (Not For Use With ASME Tanks)	415-54256-00	415-54256-00	415-54256-00	415-54256-00	415-54256-00	415-54256-00

Anode may need to be cut to length. See page 19.

* Ordering a complete assembly may increase delivery time. Please order the specific component required for the quickest delivery.

SECTION 1: Serial Numbers "XF-" (June 2021 and Later) with -NDD Designator

APPLIES TO PAGES: 3 THROUGH 12

Item	Description	Model	Model	Model	Model
		UCG100H1993N	UCG100H1993X	UCG100H2703N	UCG100H2703X
1	Surround with Latches	239-50510-00	239-50510-00	239-50510-00	239-50510-00
2	Nipple Hot Water Outlet Plastisert (Top Connection)	229-40913-01	229-40913-01	229-40913-01	229-40913-01
3	Combustion System Assembly	265-54264-01	265-54264-02	265-54264-03	265-54264-04
4	Inlet Tube Hydrojet (Top Connection)	415-46709-02	415-46709-02	415-46709-02	415-46709-02
5	Jacket Head	239-51297-01	239-51297-01	239-51297-01	239-51297-01
6	Exhaust Collector Cover	239-54208-01	239-54208-01	239-50530-01	239-50530-01
7	Baffle 2" Flue (UCG(80,100)H(125,199) models req 4)(UCG(80,100)H(270,399) models req 6)	239-50512-03	239-50512-03	239-54131-00	239-54131-00
8	Anode (Magnesium) (up to 3 req'd)#	415-47782-07	415-47782-07	415-47782-07	415-47782-07
	Anode (Aluminum) (up to 3 req'd)#	415-38508-10	415-38508-10	415-38508-10	415-38508-10
	Anode (Aluminum A420) (up to 3 req'd)#	415-49559-04	415-49559-04	415-49559-04	415-49559-04
9	Well Sensor	233-46558-03	233-46558-03	233-46558-03	233-46558-03
10	Inlet Tube Hydrojet (Front Connection)	415-44375-00	415-44375-00	415-44375-00	415-44375-00
11	Plug (2 Req'd)	239-02048-00	239-02048-00	239-02048-00	239-02048-00
12	Hole Closure (4 req'd)	239-31547-02	239-31547-02	239-31547-02	239-31547-02
13	1" to 3/4" Bushing 2 req'd (Except 1 req'd for 270kBTUH models)	239-02052-00	239-02052-00	239-02052-00	239-02052-00
14	T&P Nipple	229-32762-02	229-32762-02	415-50053-02	415-50053-02
15	T&P Valve	415-30246-00	415-30246-00	415-33630-04	415-33630-04
16	Cleanout Gasket	205-18427-00	205-18427-00	205-18427-00	205-18427-00
17	Cleanout Cover	205-18428-00	205-18428-00	205-18428-00	205-18428-00
18	Screw 5/16 - 18 x 1/2 (6 req'd)	239-82166-00	239-82166-00	239-82166-00	239-82166-00
19	Clean Out Cover Access	243-20299-00	243-20299-00	243-20299-00	243-20299-00
20	Mixing Device (Optional)	239-51778-00	239-51778-00	239-51778-00	239-51778-00
21	Drain Valve Brass (No Handle)	415-42351-02	415-42351-02	415-42351-02	415-42351-02
22	Nipple Hot Water Outlet Plastisert (Front Connection)	229-40913-07	229-40913-07	229-40913-07	229-40913-07
23	Intake Vent Terminal	239-50597-00	239-50597-00	239-50597-00	239-50597-00
24	Display Mount Assembly*	243-51213-00	243-51213-00	243-51213-00	243-51213-00
25	BMS Gateway Kit (Optional)	415-53943-00	415-53943-00	415-53943-00	415-53943-00
26	Control Panel Assembly 5,000 RPM Ignition*	243-54252-00	243-54252-00	243-54252-00	243-54252-00
27	Kit-Cleanout (Not For Use With ASME Tanks)	415-54256-00	415-54256-00	415-54256-00	415-54256-00

Anode may need to be cut to length. See page 19.

* Ordering a complete assembly may increase delivery time. Please order the specific component required for the quickest delivery.

SECTION 1: Serial Numbers "XF-" (June 2021 and Later) with -NDD Designator

APPLIES TO PAGES: 3 THROUGH 12

Item	Description	Model	Model	Model	Model
		UCG80H3993N	UCG80H3993X	UCG100H3993N	UCG100H3993X
1	Surround with Latches	239-50510-00	239-50510-00	239-50510-00	239-50510-00
2	Nipple Hot Water Outlet Plastisert (Top Connection)	229-40913-01	229-40913-01	229-40913-01	229-40913-01
3	Combustion System Assembly	265-54265-03	265-54265-04	265-54265-01	265-54265-02
4	Inlet Tube Hydrojet (Top Connection)	415-46709-01	415-46709-01	415-46709-02	415-46709-02
5	Jacket Head	239-51297-01	239-51297-01	239-51297-01	239-51297-01
6	Exhaust Collector Cover	239-54208-02	239-54208-02	239-54208-02	239-54208-02
7	Baffle 2" Flue (UCG(80,100)H(125,199) models req 4)(UCG(80,100)H(270,399) models req 6)	239-50949-03	239-50949-03	239-50512-05	239-50512-05
8	Anode (Magnesium) (up to 3 req'd)#	415-47782-05	415-47782-05	415-47782-07	415-47782-07
	Anode (Aluminum) (up to 3 req'd)#	415-38508-04	415-38508-04	415-38508-10	415-38508-10
	Anode (Aluminum A420) (up to 3 req'd)#	415-49559-04	415-49559-04	415-49559-04	415-49559-04
9	Well Sensor	233-46558-03	233-46558-03	233-46558-03	233-46558-03
10	Inlet Tube Hydrojet (Front Connection)	415-44375-00	415-44375-00	415-44375-00	415-44375-00
11	Plug (2 Req'd)	239-02048-00	239-02048-00	239-02048-00	239-02048-00
12	Hole Closure (4 req'd)	239-31547-02	239-31547-02	239-31547-02	239-31547-02
13	1" to 3/4" Bushing (1 req'd for 399kBTUH models)	239-02052-00	239-02052-00	239-02052-00	239-02052-00
14	T&P Nipple	415-50053-02	415-50053-02	415-50053-02	415-50053-02
15	T&P Valve	415-33630-04	415-33630-04	415-33630-04	415-33630-04
16	Cleanout Gasket	205-18427-00	205-18427-00	205-18427-00	205-18427-00
17	Cleanout Cover	205-18428-00	205-18428-00	205-18428-00	205-18428-00
18	Screw 5/16 - 18 x 1/2 (6 req'd)	239-82166-00	239-82166-00	239-82166-00	239-82166-00
19	Clean Out Cover Access	243-20299-00	243-20299-00	243-20299-00	243-20299-00
20	Mixing Device (Optional)	239-51778-00	239-51778-00	239-51778-00	239-51778-00
21	Drain Valve Brass (No Handle)	415-42351-02	415-42351-02	415-42351-02	415-42351-02
22	Nipple Hot Water Outlet Plastisert (Front Connection)	229-40913-07	229-40913-07	229-40913-07	229-40913-07
23	Vent Terminal	239-51226-00	239-51226-00	239-51226-00	239-51226-00
24	Display Mount Assembly*	243-51213-00	243-51213-00	243-51213-00	243-51213-01
25	BMS Gateway Kit (Optional)	415-53943-00	415-53943-00	415-53943-00	415-53943-00
26	Control Panel Assembly 3,000 RPM Ignition*	243-54233-00	243-54233-00	243-54233-00	243-54233-00
27	Kit-Cleanout (Not For Use With ASME Tanks)	415-54256-00	415-54256-00	415-54256-00	415-54256-00

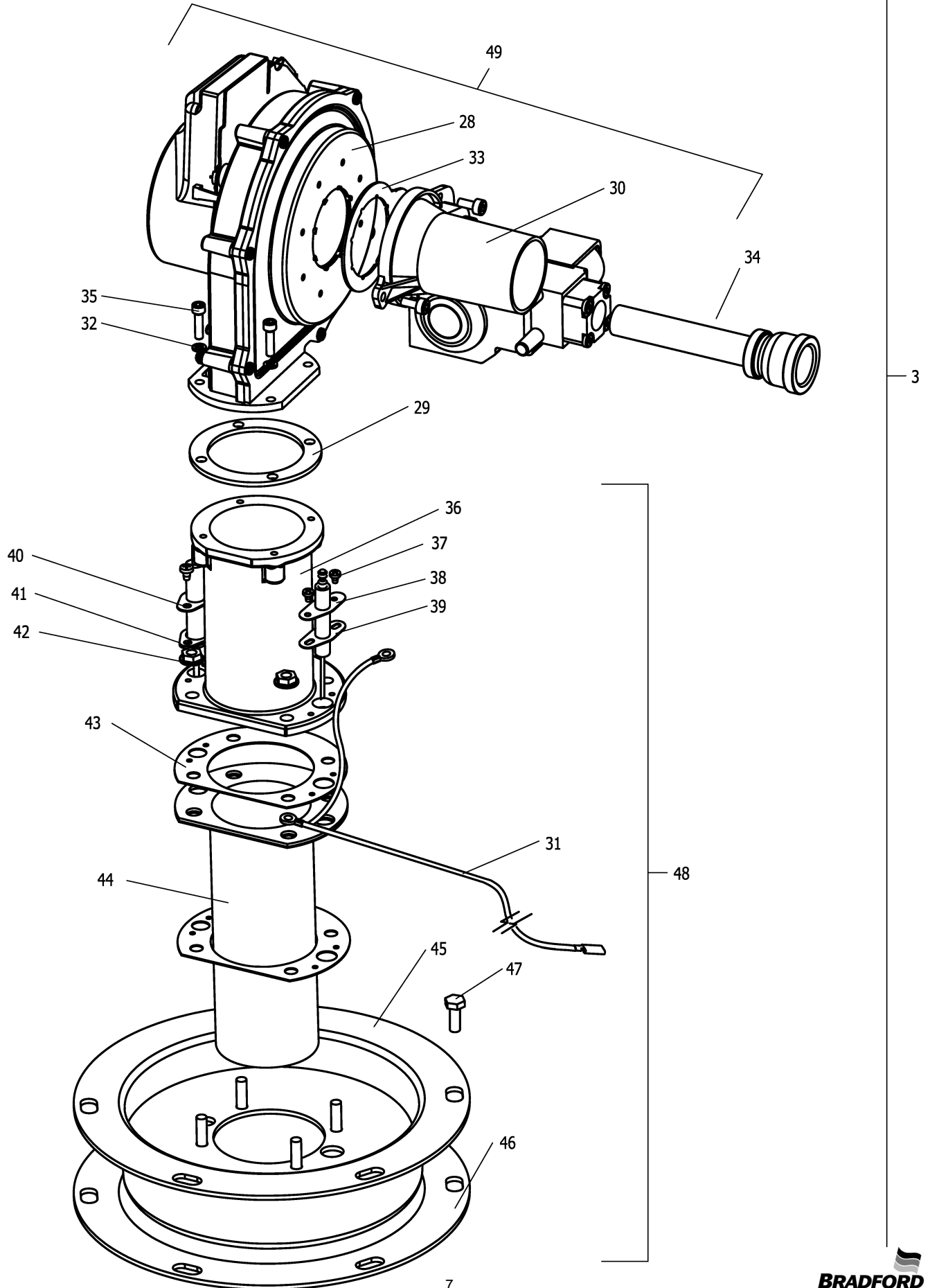
Anode may need to be cut to length. See page 19.

* Ordering a complete assembly may increase delivery time. Please order the specific component required for the quickest delivery.

SECTION 1: Serial Numbers "XF-" (June 2021 and Later)

with -NDD Designator

APPLIES TO PAGES: 3 THROUGH 12



SECTION 1: Serial Numbers "XF-" (June 2021 and Later) with -NDD Designator

APPLIES TO PAGES: 3 THROUGH 12

Item	Description	Model	Model	Model	Model	Model	Model
		UCG80H1253N	UCG80H1253X	UCG80H1993N	UCG80H1993X	UCG80H2703N	UCG80H2703X
28	Blower w/Gasket	415-51225-00	415-51225-00	415-48922-00	415-48922-00	415-51428-00	415-51428-00
29	Blower Transiton Gasket	239-43241-00	239-43241-00	239-43241-00	239-43241-00	239-43241-00	239-43241-00
30	Venturi & Gas Valve Assembly	265-54262-04	265-54263-04	265-54262-05	265-54263-05	265-54262-06	265-54263-06
31	Ground Wire	239-51994-00	239-51994-00	239-51994-00	239-51994-00	239-51994-00	239-51994-00
32	Washer - #10 Lockwasher (req'd)	239-18461-00	239-18461-00	239-18461-00	239-18461-00	239-18461-00	239-18461-00
33	Venturi Gasket ◊	239-44654-00	239-44654-00	239-44654-00	239-44654-00	239-44654-00	239-44654-00
34	Gas Piping Assembly	243-50524-00	243-50524-00	243-50524-00	243-50524-00	243-50524-00	243-50524-00
35	Screw 10-32 x .75 Skt Head Cap (4 req'd)	239-43273-00	239-43273-00	239-43273-00	239-43273-00	239-43273-00	239-43273-00
36	Transition Tube Blower to Burner	239-43201-00	239-43201-00	239-43201-00	239-43201-00	239-43201-00	239-43201-00
37	Screw - #8-32 x 1/4 (4 req'd)	239-43272-00	239-43272-00	239-43272-00	239-43272-00	239-43272-00	239-43272-00
38	Igniter	415-49655-00	415-49655-00	415-49655-00	415-49655-00	415-49655-00	415-49655-00
39	Gasket Igniter	239-43370-00	239-43370-00	239-43370-00	239-43370-00	239-43370-00	239-43370-00
40	Flame Sensor	415-43232-00	415-43232-00	415-43232-00	415-43232-00	415-43232-00	415-43232-00
41	Gasket Flame Sensor	239-43371-00	239-43371-00	239-43371-00	239-43371-00	239-43371-00	239-43371-00
42	Nut Hex Washer (4 req'd for Trans Tube)	239-43297-00	239-43297-00	239-43297-00	239-43297-00	239-43297-00	239-43297-00
43	Gasket Burner (2 req'd)●	239-43246-00	239-43246-00	239-43246-00	239-43246-00	239-43246-00	239-43246-00
44	Burner	415-53033-00	415-53033-00	415-53033-00	415-53033-00	415-53033-00	415-53033-00
45	Burner Mounting Assembly	239-43167-00	239-43167-00	239-43167-00	239-43167-00	239-43167-00	239-43167-00
46	Combustion Assembly Gasket	239-43197-00	239-43197-00	239-43197-00	239-43197-00	239-43197-00	239-43197-00
47	Screw 5/16-18 x 3/4 (5 req'd)	239-32970-00	239-32970-00	239-32970-00	239-32970-00	239-32970-00	239-32970-00
48	Burner Assembly *	265-50527-00	265-50527-00	265-50527-00	265-50527-00	265-50527-00	265-50527-00
49	Blower and Gas Valve Assembly *	265-54261-07	265-54261-08	265-54261-09	265-54261-10	265-54261-11	265-54261-12

* Ordering a complete assembly may increase delivery time. Please order the specific component required for the quickest delivery.

◊ Included with Item 1 & 3

● Included with Items 17 & 21

SECTION 1: Serial Numbers "XF-" (June 2021 and Later) with -NDD Designator
 APPLIES TO PAGES: 3 THROUGH 12

Item	Description	Model	Model	Model	Model
		UCG100H1993N	UCG100H1993X	UCG100H2703N	UCG100H2703X
28	Blower w/Gasket	415-48922-00	415-48922-00	415-51428-00	415-51428-00
29	Blower Transion Gasket	239-43241-00	239-43241-00	239-43241-00	239-43241-00
30	Venturi & Gas Valve Assembly	265-54262-02	265-54263-02	265-54262-03	265-54263-03
31	Ground Wire	239-51994-00	239-51994-00	239-51994-00	239-51994-00
32	Washer - #10 Lockwasher (req'd)	239-18461-00	239-18461-00	239-18461-00	239-18461-00
33	Venturi Gasket ◊	239-44654-00	239-44654-00	239-44654-00	239-44654-00
34	Gas Piping Assembly	243-50524-00	243-50524-00	243-50524-00	243-50524-00
35	Screw 10-32 x .75 Skt Head Cap (4 req'd)	239-43273-00	239-43273-00	239-43273-00	239-43273-00
36	Transition Tube Blower to Burner	239-43201-00	239-43201-00	239-43201-00	239-43201-00
37	Screw - #8-32 x 1/4 (4 req'd)	239-43272-00	239-43272-00	239-43272-00	239-43272-00
38	Flame Sensor	415-43232-00	415-43232-00	415-43232-00	415-43232-00
39	Gasket Flame Sensor	239-43371-00	239-43371-00	239-43371-00	239-43371-00
40	Igniter	415-49655-00	415-49655-00	415-49655-00	415-49655-00
41	Gasket Igniter	239-43370-00	239-43370-00	239-43370-00	239-43370-00
42	Nut Hex Washer (4 req'd for Trans Tube)	239-43297-00	239-43297-00	239-43297-00	239-43297-00
43	Gasket Burner (2 req'd)●	239-43246-00	239-43246-00	239-43246-00	239-43246-00
44	Burner	415-53033-00	415-53033-00	415-53033-00	415-53033-00
45	Burner Mounting Assembly	239-43167-00	239-43167-00	239-43167-00	239-43167-00
46	Combustion Assembly Gasket	239-43197-00	239-43197-00	239-43197-00	239-43197-00
47	Screw 5/16-18 x 3/4 (5 req'd)	239-32970-00	239-32970-00	239-32970-00	239-32970-00
48	Burner Assembly *	265-50527-00	265-50527-00	265-50527-00	265-50527-00
49	Blower and Gas Valve Assembly *	265-54261-01	265-54261-02	265-54261-03	265-54261-04

* Ordering a complete assembly may increase delivery time. Please order the specific component required for the quickest delivery.

◊ Included with Item 1 & 3

**SECTION 1: Serial Numbers "XF-" (June 2021 and Later) with -NDD Designator
APPLIES TO PAGES: 3 THROUGH 12**

Item	Description	Model	Model	Model	Model
		UCG80H3993N	UCG80H3993X	UCG100H3993N	UCG100H3993X
28	Blower w/Gasket	415-51428-00	415-51428-00	415-51428-00	415-51428-00
29	Blower Transion Gasket	239-43241-00	239-43241-00	239-43241-00	239-43241-00
30	Venturi & Gas Valve Assembly*	265-54262-07	265-54263-07	265-54262-01	265-54263-01
31	Ground Wire	239-51994-00	239-51994-00	239-51994-00	239-51994-00
32	Washer - #10 Lockwasher (req'd)	239-18461-00	239-18461-00	239-18461-00	239-18461-00
33	Venturi Gasket ◊	239-44654-00	239-44654-00	239-44654-00	239-44654-00
34	Gas Piping assembly	243-50524-00	243-50524-00	243-50524-00	243-50524-00
35	Screw 10-32 x .75 Skt Head Cap (4 req'd)	239-43273-00	239-43273-00	239-43273-00	239-43273-00
36	Transition Tube Blower to Burner	239-43201-00	239-43201-00	239-43201-00	239-43201-00
37	Screw - #8-32 x 1/4 (4 req'd)	239-43272-00	239-43272-00	239-43272-00	239-43272-00
38	Flame Sensor	415-43232-00	415-43232-00	415-43232-00	415-43232-00
39	Gasket Flame Sensor	239-43371-00	239-43371-00	239-43371-00	239-43371-00
40	Igniter	415-46481-00	415-46481-00	415-46481-00	415-46481-00
41	Gasket Igniter	239-43370-00	239-43370-00	239-43370-00	239-43370-00
42	Nut Hex Washer (4 req'd for Trans Tube)	239-43297-00	239-43297-00	239-43297-00	239-43297-00
43	Gasket Burner (2 req'd)●	239-43246-00	239-43246-00	239-43246-00	239-43246-00
44	Burner	415-53033-00	415-53033-00	415-53033-00	415-53033-00
45	Burner Mounting Assembly	239-43167-00	239-43167-00	239-43167-00	239-43167-00
46	Combustion Assembly Gasket	239-43197-00	239-43197-00	239-43197-00	239-43197-00
47	Screw 5/16-18 x 3/4 (5 req'd)	239-32970-00	239-32970-00	239-32970-00	239-32970-00
48	Burner Assembly *	265-51232-00	265-51232-00	265-51232-00	265-51232-00
49	Blower and Gas Valve Assembly *	265-54261-13	265-54261-14	265-54261-05	243-54261-06

* Ordering a complete assembly may increase delivery time. Please order the specific component required for the quickest delivery.

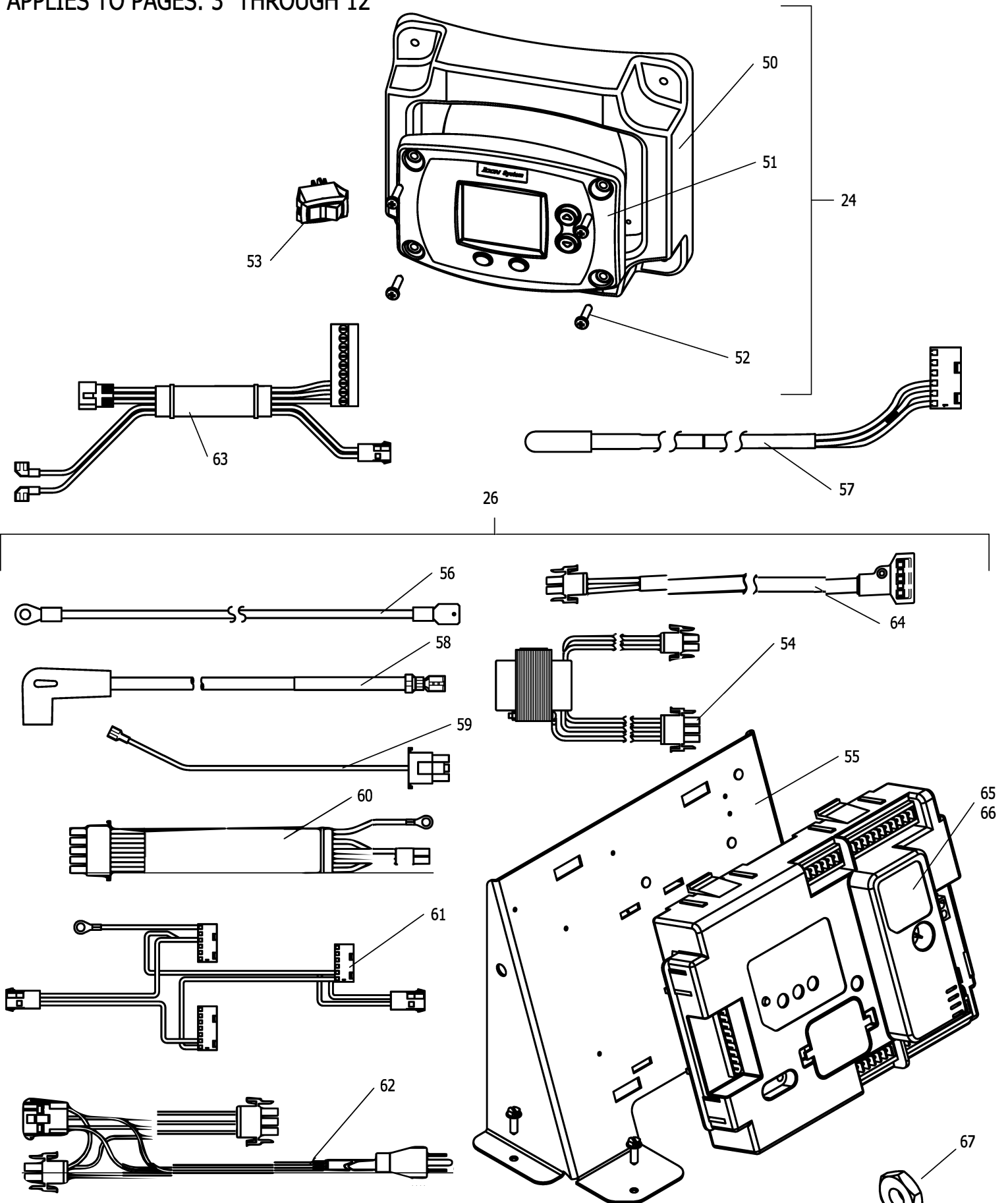
◊ Included with Item 1 & 3

● Included with Items 17 & 21

SECTION 1: Serial Numbers "XF-" (June 2021 and Later)

with -NDD Designator

APPLIES TO PAGES: 3 THROUGH 12

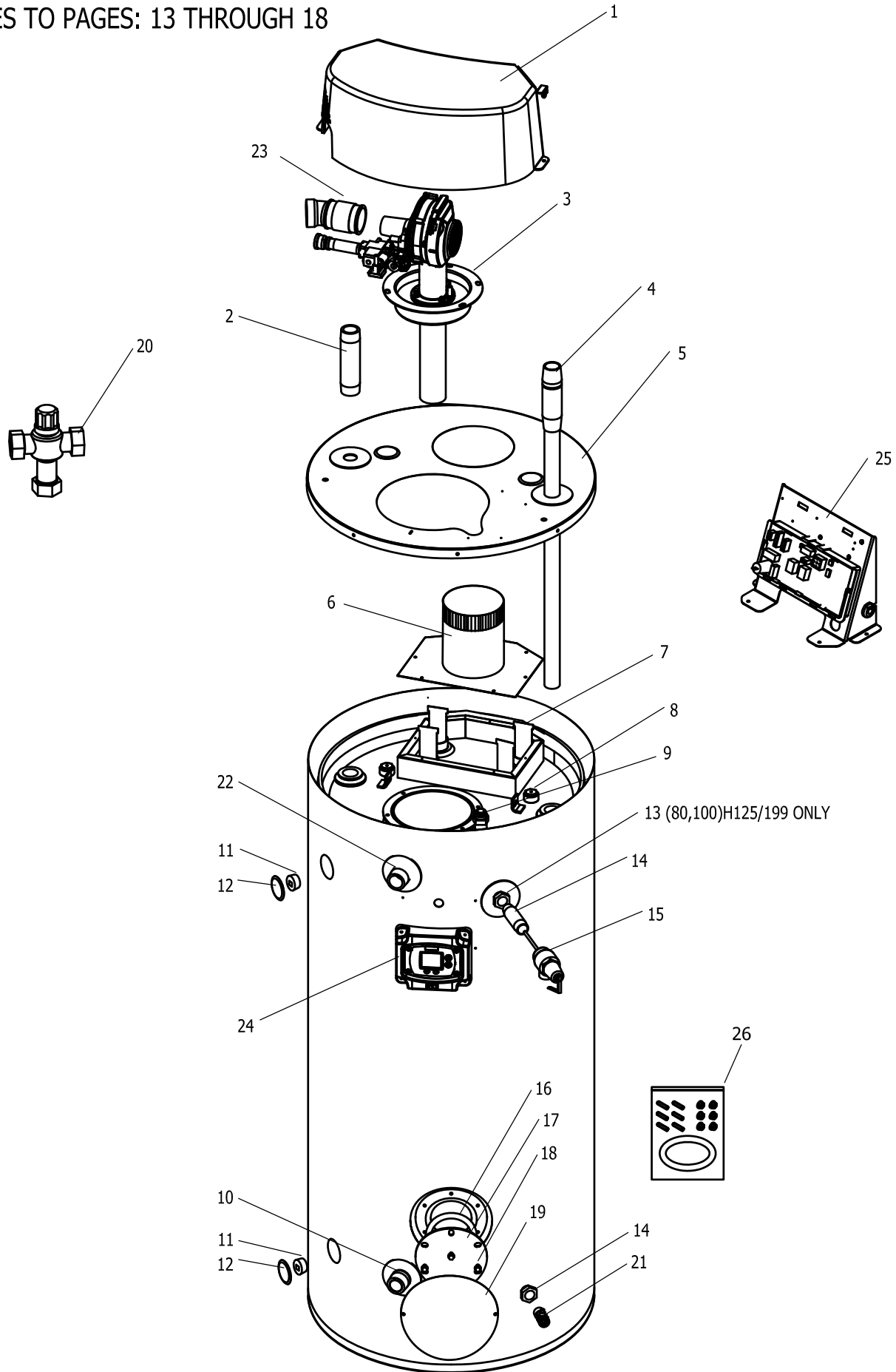


SECTION 1: Serial Numbers "XF-" (June 2021 and Later) with -NDD Designator
 APPLIES TO PAGES: 3 THROUGH 12

Item	Description	Model	Model	Model	Model
		UCG80H1253(N/X)	UCG(80,100)H1993(N/X)	JCG(80,100)H2703(N/X)	UCG(80,100)H3993(N/X)
50	Display Mount	239-50508-00	239-50508-00	239-50508-00	239-50508-00
51	Display- SOLA Control	415-54047-00	415-54047-00	415-54047-00	415-54047-00
52	Screw-#8-18 X .75 for Control Display (4 req'd)	239-41104-00	239-41104-00	239-41104-00	239-41104-00
53	Main Power Switch	239-50586-00	239-50586-00	239-50586-00	239-50586-00
54	Transformer 120V to 24V	233-50559-00	233-50559-00	233-50559-00	233-50559-00
55	Control Panel	239-50514-00	239-50514-00	239-50514-00	239-50514-00
56	Ground Wire	239-38951-88	239-38951-88	239-38951-88	239-38951-88
57	T-Stat Sensor Harness	239-48587-00	239-48587-00	239-48587-00	239-48587-00
58	High Voltage Spark Cable	239-46861-00	239-46861-00	239-46861-00	239-46861-00
59	Flame Sensor Wire	239-48237-00	239-48237-00	239-48237-00	239-48237-00
60	Blower Harness	239-48170-00	239-48170-00	239-48170-00	239-48170-00
61	Ignition Control Harness	239-54209-00	239-54209-00	239-54209-00	239-54209-00
62	Power Cord Harness	239-51212-00	239-51212-00	239-51212-00	239-51212-00
63	Control to Display Harness	239-51209-00	239-51209-00	239-51209-00	239-51209-00
64	Rectifier Harness	239-43571-00	239-43571-00	239-43571-00	239-43571-00
65	Control Module (SOLA) 5,000 RPM Ignition	415-54156-01	415-54156-01	415-54156-01	---
66	Control Module (SOLA) 3,000 RPM Ignition	---	---	---	415-46954-00
67	Nut 8-32 Keps	239-80029-00	239-80029-00		

SECTION 2: Serial Numbers "XL-" (November 2021 and Later) with -NDD-895 Designator

APPLIES TO PAGES: 13 THROUGH 18



SECTION 2: Serial Numbers "XL-" (November 2021 and Later) with -NDD-895 Designator
 APPLIES TO PAGES: 13 THROUGH 18

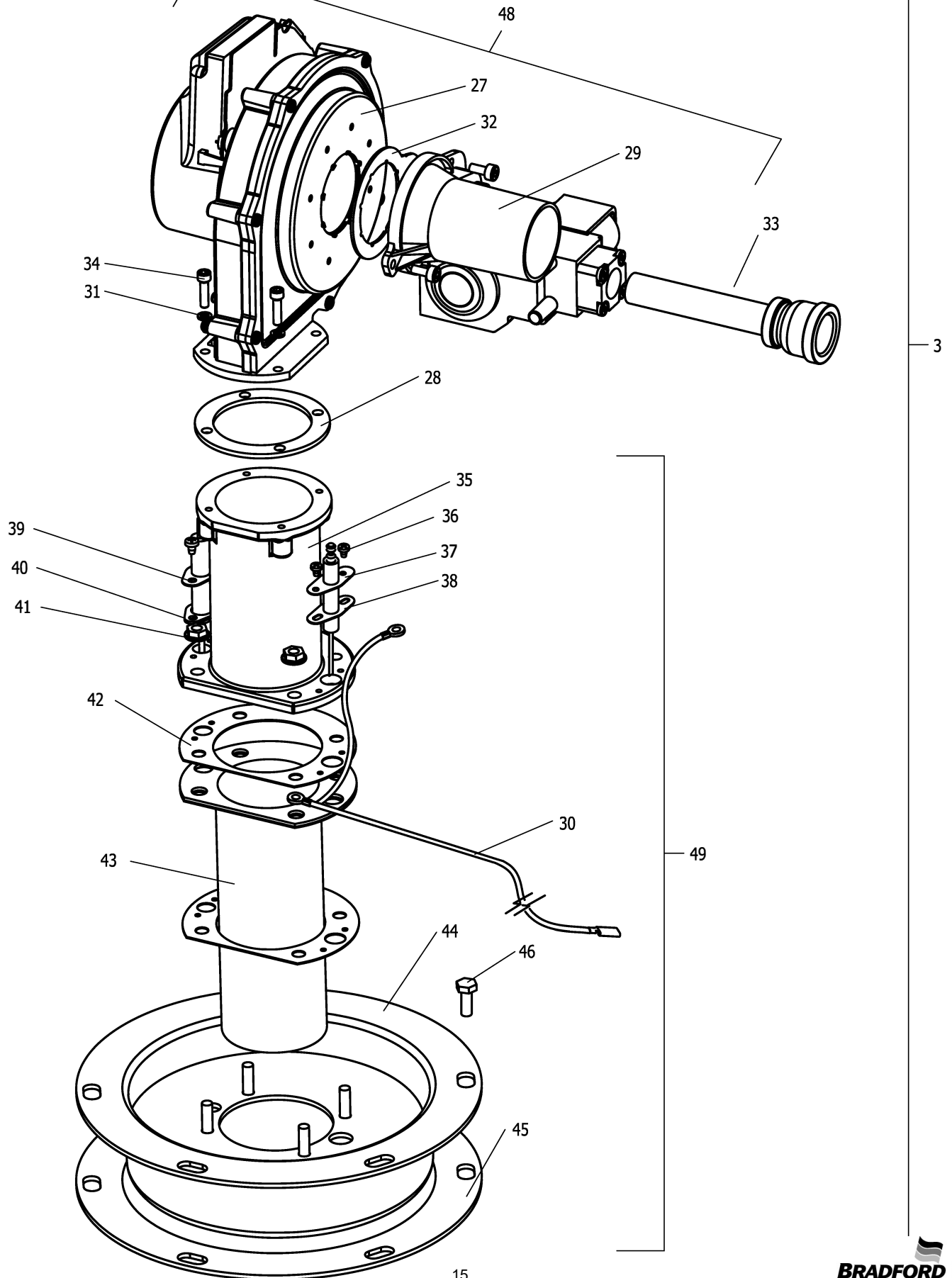
Item	Description	Model	Model	Model	Model	Model	Model
		UCG80H1253N	UCG80H1253X	UCG80H1993N	UCG80H1993X	UCG100H1993N	UCG100H1993X
1	Surround with Latches	239-50510-00	239-50510-00	239-50510-00	239-50510-00	239-50510-00	239-50510-00
2	Nipple Hot Water Outlet Plastisert (Top Connection)	229-40913-01	229-40913-01	229-40913-01	229-40913-01	229-40913-01	229-40913-01
3	Combustion System Assembly	265-54264-05	265-54264-06	265-54264-07	265-54264-08	265-54264-01	265-54264-02
4	Inlet Tube Hydrojet (Top Connection)	229-46709-01	229-46709-01	229-46709-01	229-46709-01	229-46709-02	229-46709-02
5	Jacket Head	239-51297-01	239-51297-01	239-51297-01	239-51297-01	239-51297-01	239-51297-01
6	Exhaust Collector Cover/Vent Connection	239-54208-03	239-54208-03	239-54208-01	239-54208-01	239-54208-01	239-54208-01
7	Baffle 2" Flue (4 req'd)	239-54132-00	239-54132-00	239-54136-00	239-54136-00	239-50512-03	239-50512-03
8	Anode (Magnesium) (up to 3 req'd)#	224-47782-05	224-47782-05	224-47782-05	224-47782-05	224-47782-07	224-47782-07
	Anode (Aluminum) (up to 3 req'd)#	224-38508-04	224-38508-04	224-38508-04	224-38508-04	224-38508-10	224-38508-10
	Anode (Aluminum A420) (up to 3 req'd)#	224-49559-04	224-49559-04	224-49559-04	224-49559-04	224-49559-04	224-49559-04
9	Well Sensor	233-46558-03	233-46558-03	233-46558-03	233-46558-03	233-46558-03	233-46558-03
10	Inlet Tube Hydrojet (Front Connection)	229-44375-00	229-44375-00	229-44375-00	229-44375-00	229-44375-00	229-44375-00
11	Plug (2 Req'd)	239-02048-00	239-02048-00	239-02048-00	239-02048-00	239-02048-00	239-02048-00
12	Hole Closure (4 req'd)	239-31547-02	239-31547-02	239-31547-02	239-31547-02	239-31547-02	239-31547-02
13	1" to 3/4" Bushing 2 req'd)	239-02052-00	239-02052-00	239-02052-00	239-02052-00	239-02052-00	239-02052-00
14	T&P Nipple	229-32762-02	229-32762-02	229-32762-02	229-32762-02	229-32762-02	229-32762-02
15	T&P Valve	230-30246-00	230-30246-00	230-30246-00	230-30246-00	230-30246-00	230-30246-00
16	Cleanout Gasket	205-18427-00	205-18427-00	205-18427-00	205-18427-00	205-18427-00	205-18427-00
17	Cleanout Cover	205-18428-00	205-18428-00	205-18428-00	205-18428-00	205-18428-00	205-18428-00
18	Screw 5/16 - 18 x 1/2 (6 req'd)	239-82166-00	239-82166-00	239-82166-00	239-82166-00	239-82166-00	239-82166-00
19	Clean Out Cover Access	243-20299-00	243-20299-00	243-20299-00	243-20299-00	243-20299-00	243-20299-00
20	Mixing Device (Optional)	239-51778-00	239-51778-00	239-51778-00	239-51778-00	239-51778-00	239-51778-00
21	Drain Valve Brass (No Handle)	265-42351-02	265-42351-02	265-42351-02	265-42351-02	265-42351-02	265-42351-02
22	Nipple Hot Water Outlet Plastisert (Front Connection)	229-40913-07	229-40913-07	229-40913-07	229-40913-07	229-40913-07	229-40913-07
23	Intake Vent Terminal	239-50597-00	239-50597-00	239-50597-00	239-50597-00	239-50597-00	239-50597-00
24	Display Mount Assembly*	243-55391-00	243-55391-00	243-55391-00	243-55391-00	243-55391-00	243-55391-00
25	Integrated Control Box and Wiring	243-54449-00	243-54449-00	243-54449-00	243-54449-00	243-54449-00	243-54449-00
26	Kit-Cleanout (Not For Use With ASME Tanks)	415-54256-00	415-54256-00	415-54256-00	415-54256-00	415-54256-00	415-54256-00

Anode may need to be cut to length. See page 19.

* Ordering a complete assembly may increase delivery time. Please order the specific component required for the quickest delivery.

SECTION 2: Serial Numbers "XL-" (November 2021 and Later) with -NDD-895 Designator

APPLIES TO PAGES: 13 THROUGH 18



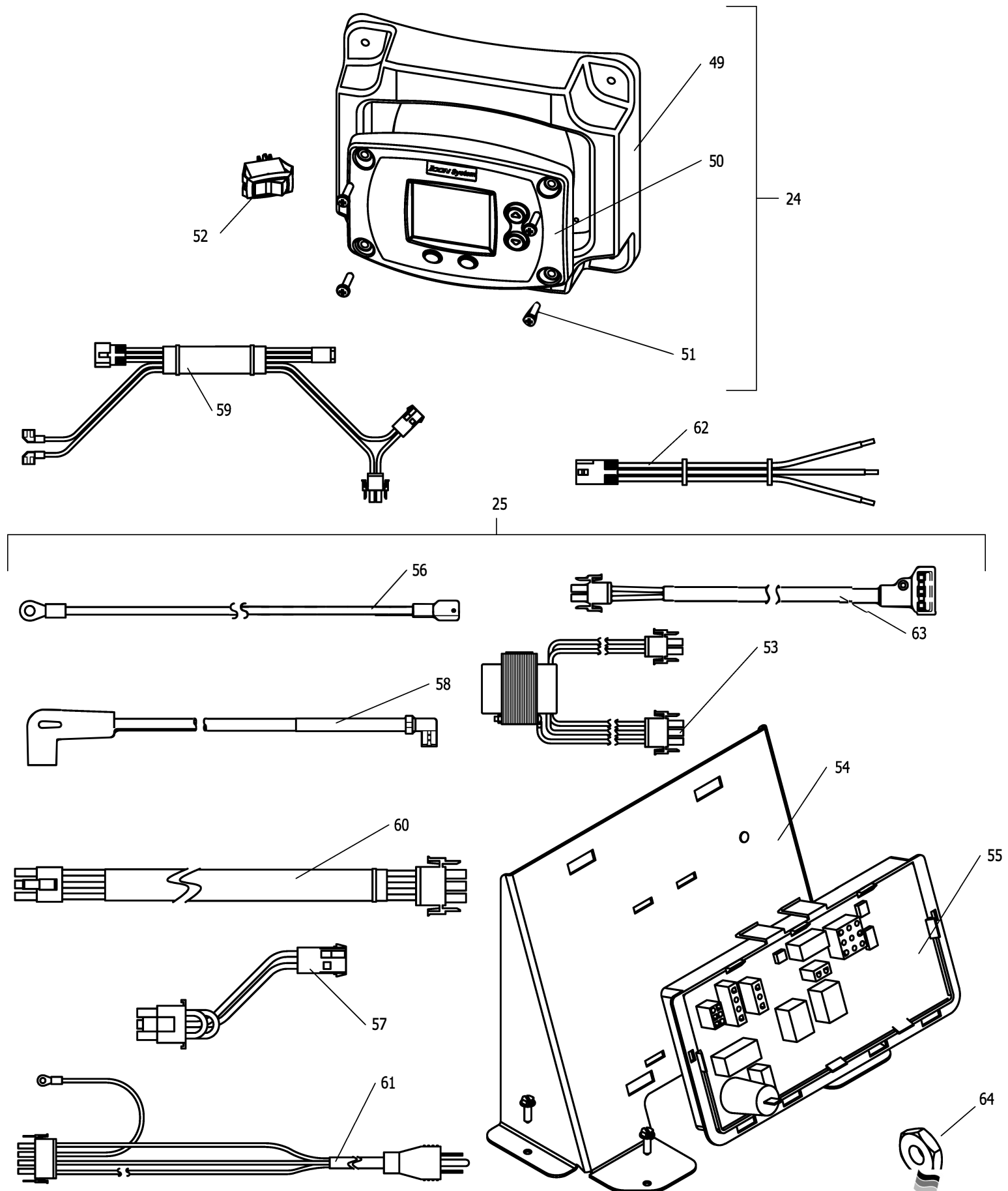
SECTION 2: Serial Numbers "XL-" (November 2021 and Later) with -NDD-895 Designator
 APPLIES TO PAGES: 13 THROUGH 18

Item	Description	Model	Model	Model	Model	Model	Model
		UCG80H1253N	UCG80H1253X	UCG80H1993N	UCG80H1993X	UCG100H1993N	UCG100H1993X
27	Blower w/Gasket	415-51225-00	415-51225-00	415-48922-00	415-48922-00	415-48922-00	415-48922-00
28	Blower Transition Gasket	239-43241-00	239-43241-00	239-43241-00	239-43241-00	239-43241-00	239-43241-00
29	Venturi & Gas Valve Assembly	265-54262-04	265-54263-04	265-54262-05	265-54263-05	265-54262-02	265-54263-02
30	Ground Wire	239-51994-00	239-51994-00	239-51994-00	239-51994-00	239-51994-00	239-51994-00
31	Washer - #10 Lockwasher (req'd)	239-18461-00	239-18461-00	239-18461-00	239-18461-00	239-18461-00	239-18461-00
32	Venturi Gasket ◊	239-44654-00	239-44654-00	239-44654-00	239-44654-00	239-44654-00	239-44654-00
33	Gas Piping Assembly	243-50524-00	243-50524-00	243-50524-00	243-50524-00	243-50524-00	243-50524-00
34	Screw 10-32 x .75 Skt Head Cap (4 req'd)	239-43273-00	239-43273-00	239-43273-00	239-43273-00	239-43273-00	239-43273-00
35	Transition Tube Blower to Burner	239-43201-00	239-43201-00	239-43201-00	239-43201-00	239-43201-00	239-43201-00
36	Screw - #8-32 x 1/4 (4 req'd)	239-43272-00	239-43272-00	239-43272-00	239-43272-00	239-43272-00	239-43272-00
37	Igniter	415-49655-00	415-49655-00	415-49655-00	415-49655-00	415-49655-00	415-49655-00
38	Gasket Igniter	239-43370-00	239-43370-00	239-43370-00	239-43370-00	239-43371-00	239-43371-00
39	Flame Sensor	415-43232-00	415-43232-00	415-43232-00	415-43232-00	415-43232-00	415-43232-00
40	Gasket Flame Sensor	239-43371-00	239-43371-00	239-43371-00	239-43371-00	239-43370-00	239-43370-00
41	Nut Hex Washer (4 req'd for Trans Tube)	239-43297-00	239-43297-00	239-43297-00	239-43297-00	239-43297-00	239-43297-00
42	Gasket Burner (2 req'd)●	239-43246-00	239-43246-00	239-43246-00	239-43246-00	239-43246-00	239-43246-00
43	Burner	265-53033-00	265-53033-00	265-53033-00	265-53033-00	265-53033-00	265-53033-00
44	Burner Mounting Assembly	239-43167-00	239-43167-00	239-43167-00	239-43167-00	239-43167-00	239-43167-00
45	Combustion Assembly Gasket	239-43197-00	239-43197-00	239-43197-00	239-43197-00	239-43197-00	239-43197-00
46	Screw 5/16-18 x 3/4 (5 req'd)	239-32970-00	239-32970-00	239-32970-00	239-32970-00	239-32970-00	239-32970-00
47	Burner Assembly *	265-50527-00	265-50527-00	265-50527-00	265-50527-00	265-50527-00	265-50527-00
48	Blower and Gas Valve Assembly *	265-54261-07	265-54261-08	265-54261-09	265-54261-10	265-54261-01	265-54261-02

- * Ordering a complete assembly may increase delivery time. Please order the specific component required for the quickest delivery.
- ◊ Included with Item 1 & 3
- Included with Items 17 & 21

SECTION 2: Serial Numbers "XL-" (November 2021 and Later) with -NDD-895 Designator

APPLIES TO PAGES: 13 THROUGH 18



SECTION 2: Serial Numbers "XL-" (November 2021 and Later) with -NDD-895 Designator
 APPLIES TO PAGES: 13 THROUGH 18

Item	Description	Model	Model
		UCG80H1253(N/X)	UCG(80.100)H1993(N/X)
49	Display Mount	239-50508-00	239-50508-00
50	Display-Integrated Control	415-46557-00	415-46557-00
51	Screw-#8-18 X .75 for Control Display (4 req'd)	239-41104-00	239-41104-00
52	Main Power Switch	239-50586-00	239-50586-00
53	Transformer 120V to 24V	233-50559-00	233-50559-00
54	Control Panel	239-50514-00	239-50514-00
55	Integrated Control Board	415-46557-00	415-46557-00
56	Ground Wire	239-38951-88	239-38951-88
57	Controller Harness	239-54421-00	239-54421-00
58	High Voltage Spark Cable	239-50593-00	239-50593-00
59	Display Power Switch to Control	239-50594-00	239-50594-00
60	Blower Harness	239-46865-00	239-46865-00
61	Power Cord Harness	239-50596-00	239-50596-00
62	Control to Display Harness	239-46617-00	239-46617-00
63	Rectifier Harness	239-43571-00	239-43571-00
64	Nut 8-32 Keps	239-80029-00	239-80029-00

Reference Chart of Anode Length by Model

Model	Hex Head Anode Cut Length (End to end)	
	Inches	Millimeters
UCG100H	43.5	1105
UCG80H	35	889



United States

Sales 1-800-523-2931
Technical Support 1-800-334-3393
Email techsupport@bradfordwhite.com
Warranty 1-800-531-2111
Email warranty@bradfordwhite.com
Service Parts 1-800-538-2020
Email parts@bradfordwhite.com

Canada

Sales 1-866-690-0961 1-905-203-0600
Fax 905-636-0666
Warranty 1-800-531-2111
Email warranty@bradfordwhite.com
Technical Support 1-800-334-3393
Email techsupport@bradfordwhite.com
Service Parts and Orders ca.orders@bradfordwhite.com

For U.S. and Canada field service, contact your professional installer or local Bradford White sales representative.

International

General Contact international@bradfordwhite.com