



## CANADIAN RESIDENTIAL GAS REPLACEMENT PARTS LIST Through-The-Wall (RG1PV, RG2PV, LG2PV) Models



**Models Covered:**  
RG1PV(40, 50)S\*(N,X)  
RG1PV55H\*(N,X)  
LG1PV55H78\*(N,X)  
RG2PV(40, 50)T\*(N,X)  
RG2PV(40, 50)S\*(N,X)  
RG2PV50H\*(N,X)  
LG2PV50H65\*(N,X)  
RG2PV75H\*(N,X)  
RG2PV60T\*(N,X)  
LG2PV75H76\*(N,X)  
\*Denotes warranty year

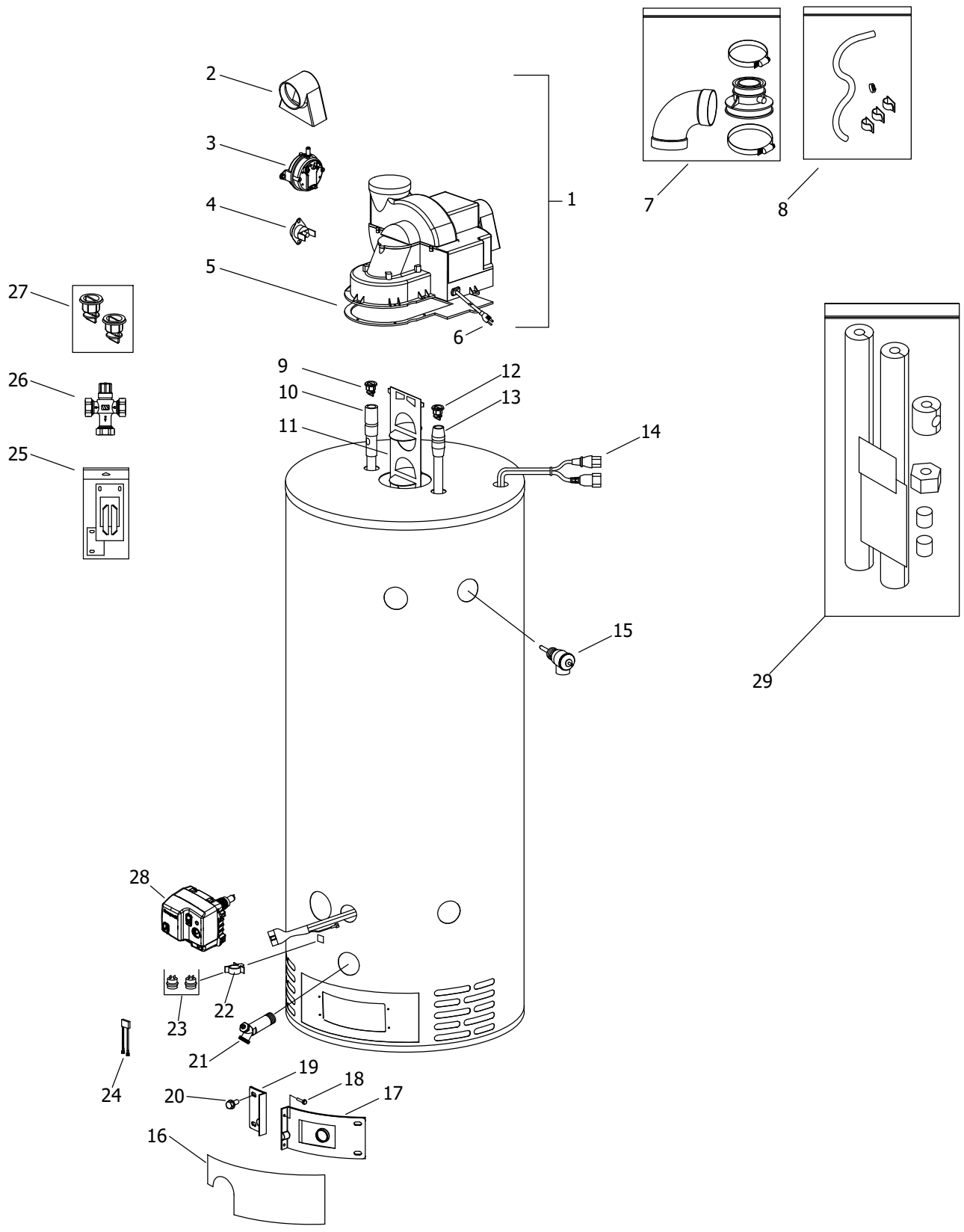
**Effective: October, 2024**  
**ECO 8780**

**NOTE: BOTH MODEL AND SERIAL  
NUMBERS ARE REQUIRED FOR  
ORDERING REPLACEMENT PARTS**

Dimensions and specifications  
subject to change without notice.



As required by the state of California Proposition 65.



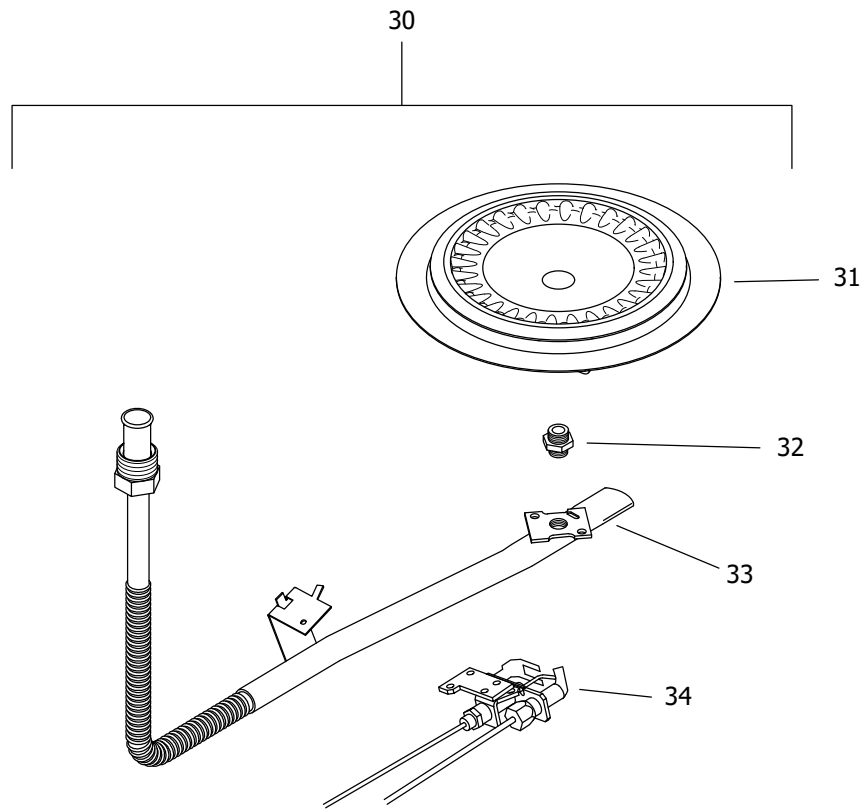
Item Description	Model	Model	Model	Model
	RG1PV40S*(N,X)	RG1PV50S*(N,X)	RG2PV40T*(N,X)	RG2PV50T*(N,X)
1 Blower Complete	415-45584-00	415-45584-00	415-48685-00	415-48685-00
Universal SVC Blower Kit	415-47200-00	415-47200-00	---	---
Blower Complete High Altitude	239-45987-00	239-45987-00	243-48686-00	243-48686-00
2 Air Mixing Inlet	239-45868-00	239-45868-00	239-45868-00	239-45868-00
3 Pressure Switch	415-45867-01	415-45867-01	415-47815-03	415-47815-03
Pressure Switch High Altitude	415-45867-03	415-45867-03	415-47815-04	415-47815-04
4 Blower Temperature Switch	415-48752-00	415-48752-00	415-48752-00	415-48752-00
5 Blower Gasket	239-45866-00	239-45866-00	239-45866-00	239-45866-00
6 Blower Power Cord	239-44466-00	239-44466-00	239-44466-00	239-44466-00
7 2" Exhaust Adaptor w/Vent Terminal	239-51072-00	239-51072-00	239-51072-00	239-51072-00
8 Condensate Hose Kit (Optional)	415-45875-00	415-45875-00	415-45875-00	415-45875-00
9 Heat Trap Insert (Outlet)	415-45167-00	415-45167-00	415-45167-00	415-45167-00
10 Hot Water Outlet Anode (Magnesium)▲#	415-55482-00	415-55482-00	415-55482-00	415-55482-00
Hot Water Outlet (Aluminum)▲#	415-55484-00	415-55484-00	415-55484-00	415-55484-00
Hot Water Outlet (A420 Aluminum)▲#	415-55486-00	415-55486-00	415-55486-00	415-55486-00
11 Flue Baffle	239-45372-00	239-45372-00	243-48689-00	243-48689-00
12 Heat Trap Insert (Inlet)	415-51556-00	415-51556-00	415-51556-00	415-45167-00
13 Cold Water Inlet Dip Tube ▲▲	415-51230-25	415-51230-25	229-53466-01	415-45092-06
14 Safety Circuit Wire Harness	239-45617-03	239-45617-03	239-45617-02	239-45617-02
15 T&P Relief Valve	415-40594-02	415-40594-02	415-40594-02	415-40594-02
16 Outer Door	239-43962-00	239-43962-00	239-43962-00	239-43962-00
17 Right Side Inner Door Complete w/Gasket	239-45642-18	239-45642-20	239-43963-16	239-45642-18
18 Screw-#8-15 x 3/4 HWH	239-44195-00	239-44195-00	239-44195-00	239-44195-00
19 Left Side Inner Door Complete w/Gasket	239-43968-18	239-43968-20	239-43968-16	239-43968-18
20 Screw-#10-12 x 3/4 HWH	239-52581-00	239-52581-00	239-52581-00	239-52581-00
21 Brass Drain Valve	415-42351-02	415-42351-02	415-42351-02	415-42351-02
22 Flammable Vapor Sensor Clip	239-45648-00	239-45648-00	239-45648-00	239-45648-00
23 Flammable Vapor Sensor	415-45560-00	415-45560-00	415-45560-00	415-45560-00
24 Flammable Vapor Sensor Harness	239-49791-00	239-49791-00	239-49791-00	239-49791-00
25 Inner Door Gasket Kit	239-44078-00	239-44078-00	239-44078-00	239-44078-00
26 ASSE Approved Mixing Valve (Optional)	239-51778-00	239-51778-00	239-51778-00	239-51778-00
27 Kit-Heat Trap Insert	265-51572-00	265-51572-00	265-51572-00	265-45420-00
28 Gas Valve Natural Gas	415-48795-01	415-48795-01	415-48795-02	415-48795-02
Gas Valve LP Gas	415-48796-01	415-48796-01	415-48796-02	415-48796-02
29 Insulation Kit	239-48949-00	239-48949-00	239-48949-00	239-48949-00

\* Applies to all warranties

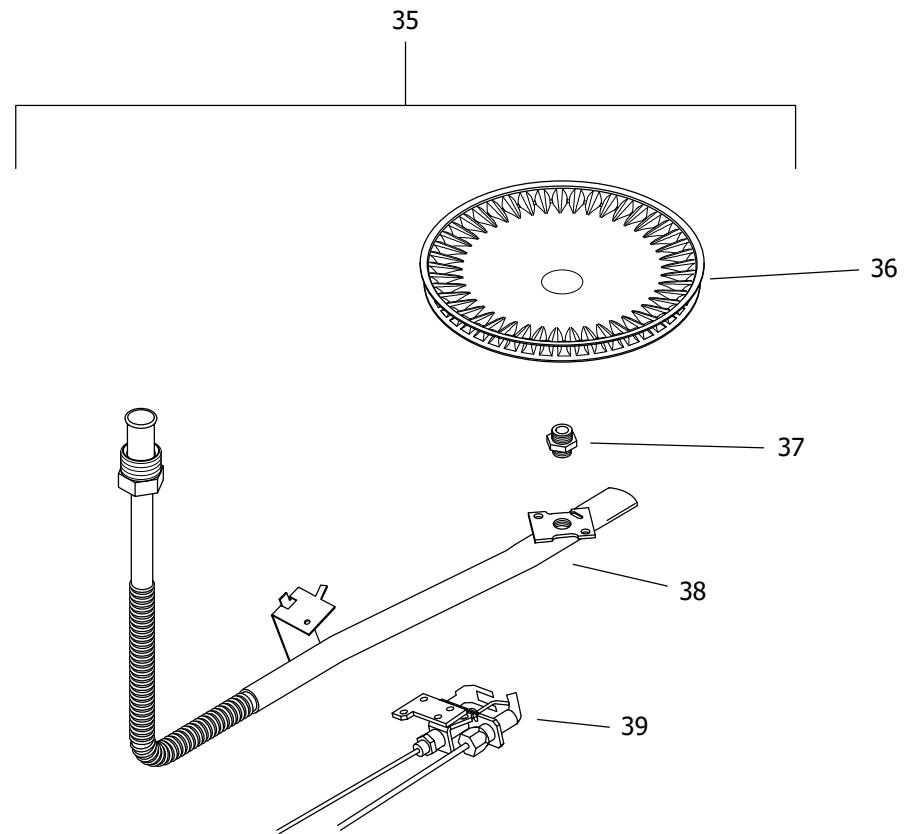
# Anode may need to be cut to length

▲ Order with item 9

▲▲ Order with item 12



NATURAL GAS (BN) BURNER ASSEMBLY



LP GAS (SX) BURNER ASSEMBLY

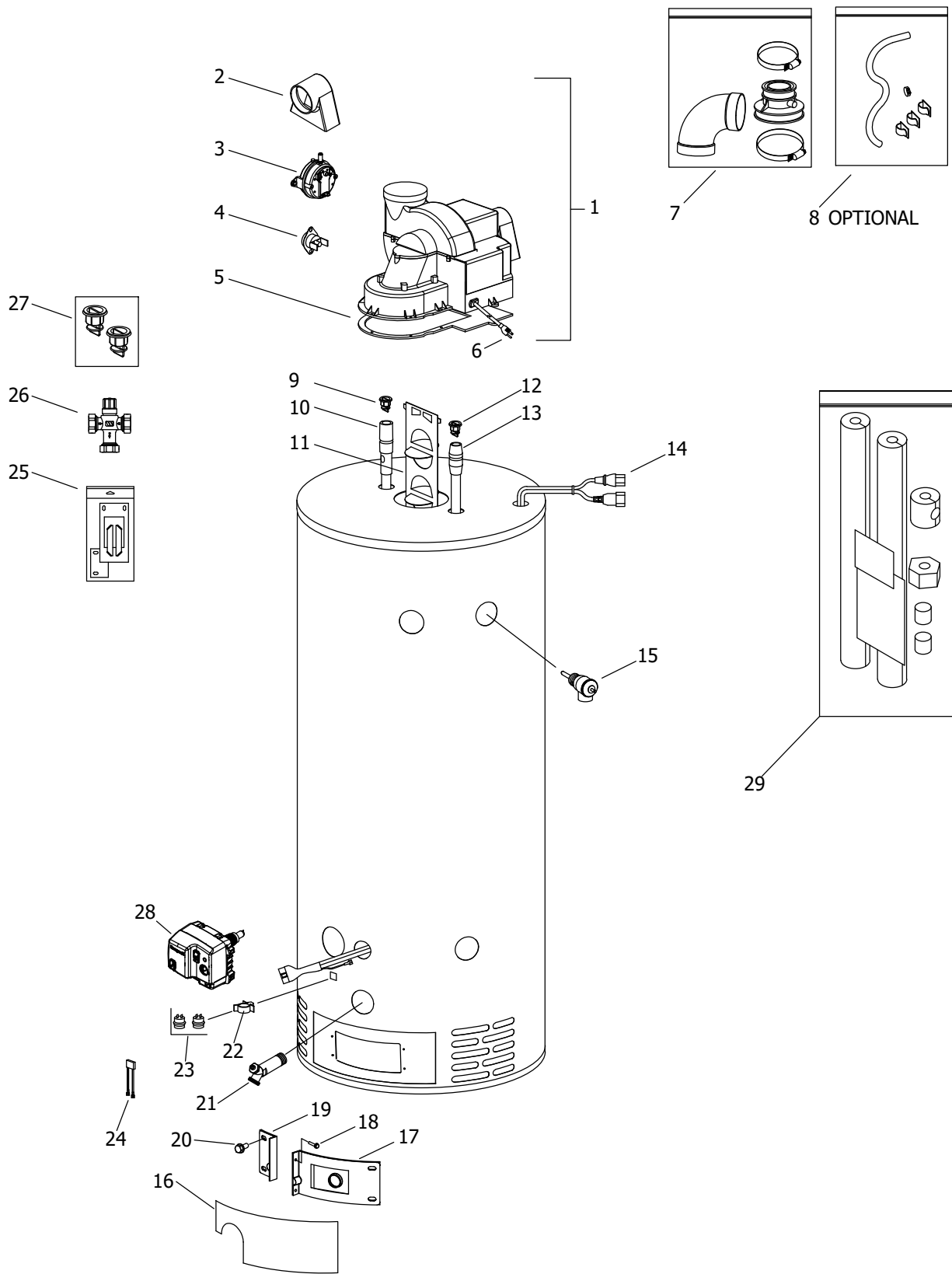
LP GAS (SX) BURNER ASSEMBLY TO REPLACE LP GAS (CX) BURNER ASSEMBLY

Item Description	Model RG1PV40S*(N,X)	Model RG1PV50S*(N,X)	Model RG2PV40T*(N,X)	Model RG2PV50T*(N,X)
<b>Natural Gas Burner Assembly</b>				
30 Nat Gas Burner Assembly Complete***	265-47439-06-32	265-47439-09-32	265-47439-06-32	265-47439-09-32
31 Nat. Gas (N) Burner**	228-42506-00	228-42506-00	228-42506-00	228-42506-00
32 Nat. Gas (N) Main Burner Orifice 0 Ft. to 2,000 Ft. **	234-41034-32	234-41034-32	234-41034-32	234-41034-32
Nat. Gas (N) High Altitude Orifice 0 Ft. to 4,500 Ft. (-220 model suffixes) **	234-41034-33	234-41034-33	234-41034-33	234-41034-33
33 Nat. Gas (N) Feedline	233-47431-03	233-47431-04	233-47431-03	233-47431-04
34 Nat. Gas Pilot Assembly**	415-45653-05	415-45653-05	415-45653-05	415-45653-05
<b>LP Gas Burner Assembly</b>				
35 LP Gas Burner Assembly Complete***	265-47440-09-50	265-47440-15-50	265-47440-09-50	265-47440-15-50
36 LP Gas (X) Burner**	228-46964-00	228-46964-00	228-46964-00	228-46964-00
37 LP Gas (X) Main Burner Orifice 0 Ft. to 2,000 Ft. **	234-47064-50	234-47064-50	234-47064-50	234-47064-50
LP Gas (X) High Altitude Orifice 0 Ft. to 4,500 Ft. (-220 model suffixes) **	234-47064-51	234-47064-51	234-47064-51	234-47064-51
38 LP Gas (X) Feedline	233-47432-03	233-47432-04	233-47432-03	233-47432-04
39 LP Gas Pilot Assembly**	415-45653-04	415-45653-04	415-45653-04	415-45653-04
LP to Nat. Gas Conversion Kit (Norm Alt.) 0 Ft. to 2,000 Ft.	265-46493-02	265-46493-06	265-46493-83	265-46493-68
LP to Nat. Gas Conversion Kit (High Alt.) 0 Ft. to 4,500 Ft. (-220 model suffixes)	265-46493-03	265-46493-07	265-46493-84	265-46493-86

\* Applies to all warranties.

\*\* Inner door gasket kit recommended.

\*\*\* Ordering a complete burner assembly may increase delivery time. Please order the specific component required for the quickest delivery.



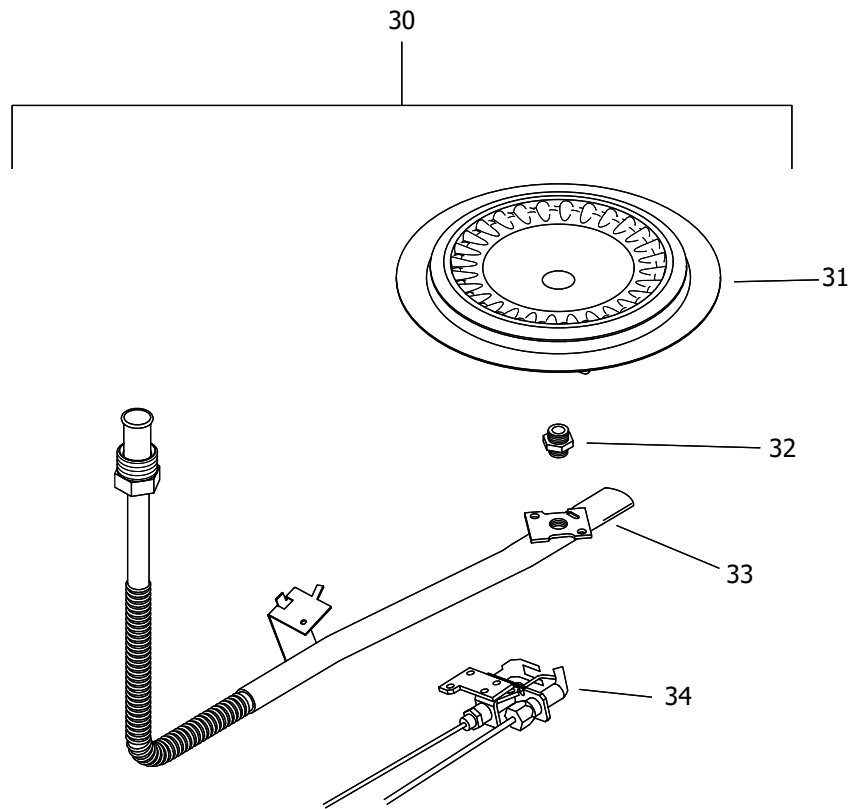
Item Description	Model	Model
	RG2PV40S*(N,X)	RG2PV50S*(N,X)
1 Blower Complete	415-45584-00	415-45584-00
Universal SVC Blower Kit	415-47200-00	415-47200-00
Blower Complete High Altitude	239-45987-00	239-45987-00
2 Air Mixing Inlet	239-45868-00	239-45868-00
3 Pressure Switch	415-45867-01	415-45867-01
Pressure Switch High Altitude	415-45867-03	415-45867-03
4 Blower Temperature Switch	415-48752-00	415-48752-00
5 Blower Gasket	239-45866-00	239-45866-00
6 Blower Power Cord	239-44466-00	239-44466-00
7 2" Exhaust Adaptor w/Vent Terminal	239-51072-00	239-51072-00
8 Condensate Hose Kit (Optional)	415-45875-00	415-45875-00
9 Heat Trap Insert (Outlet)	415-45167-00	415-45167-00
10 Hot Water Outlet Anode (Magnesium)▲#	415-55482-00	415-55482-00
Hot Water Outlet (Aluminum)▲#	415-55484-00	415-55484-00
Hot Water Outlet (A420 Aluminum)▲#	415-55486-00	415-55486-00
11 Flue Baffle	239-45372-00	239-45372-00
12 Heat Trap Insert (Inlet)	415-51556-00	415-51556-00
13 Cold Water Inlet Dip Tube ▲▲	415-51230-25	415-51230-25
14 Safety Circuit Wire Harness	239-45617-03	239-45617-03
15 T&P Relief Valve	415-40594-02	415-40594-02
16 Outer Door	239-43962-00	239-43962-00
17 Right Side Inner Door Complete w/Gasket	239-45642-18	239-45642-20
18 Screw-#8-15 x 3/4 HWH	239-44195-00	239-44195-00
19 Left Side Inner Door Complete w/Gasket	239-43968-18	239-43968-20
20 Screw-#10-12 x 3/4 HWH	239-52581-00	239-52581-00
21 Brass Drain Valve	415-42351-02	415-42351-02
22 Flammable Vapor Sensor Clip	239-45648-00	239-45648-00
23 Flammable Vapor Sensor	415-45560-00	415-45560-00
24 Flammable Vapor Sensor Harness	239-49791-00	239-49791-00
25 Inner Door Gasket Kit	239-44078-00	239-44078-00
26 ASSE Approved Mixing Valve (Optional)	239-51778-00	239-51778-00
27 Kit-Heat Trap Insert	265-51572-00	265-51572-00
28 Gas Valve Natural Gas	415-48795-02	415-48795-02
Gas Valve LP Gas	415-48796-02	415-48796-02
29 Insulation Kit	239-48949-00	239-48949-00

\* Applies to all warranties

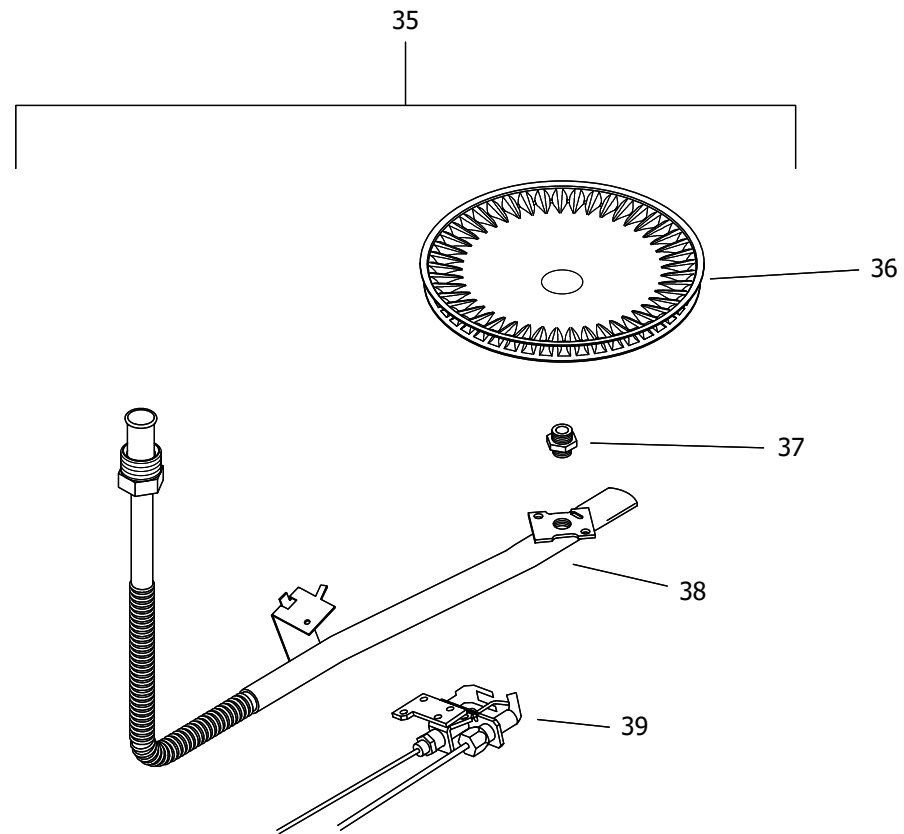
# Anode may need to be cut to length

▲ Order with item 9

▲▲ Order with item 12



NATURAL GAS (BN) BURNER ASSEMBLY



LP GAS (SX) BURNER ASSEMBLY

LP GAS (SX) BURNER ASSEMBLY TO REPLACE LP GAS (CX) BURNER ASSEMBLY

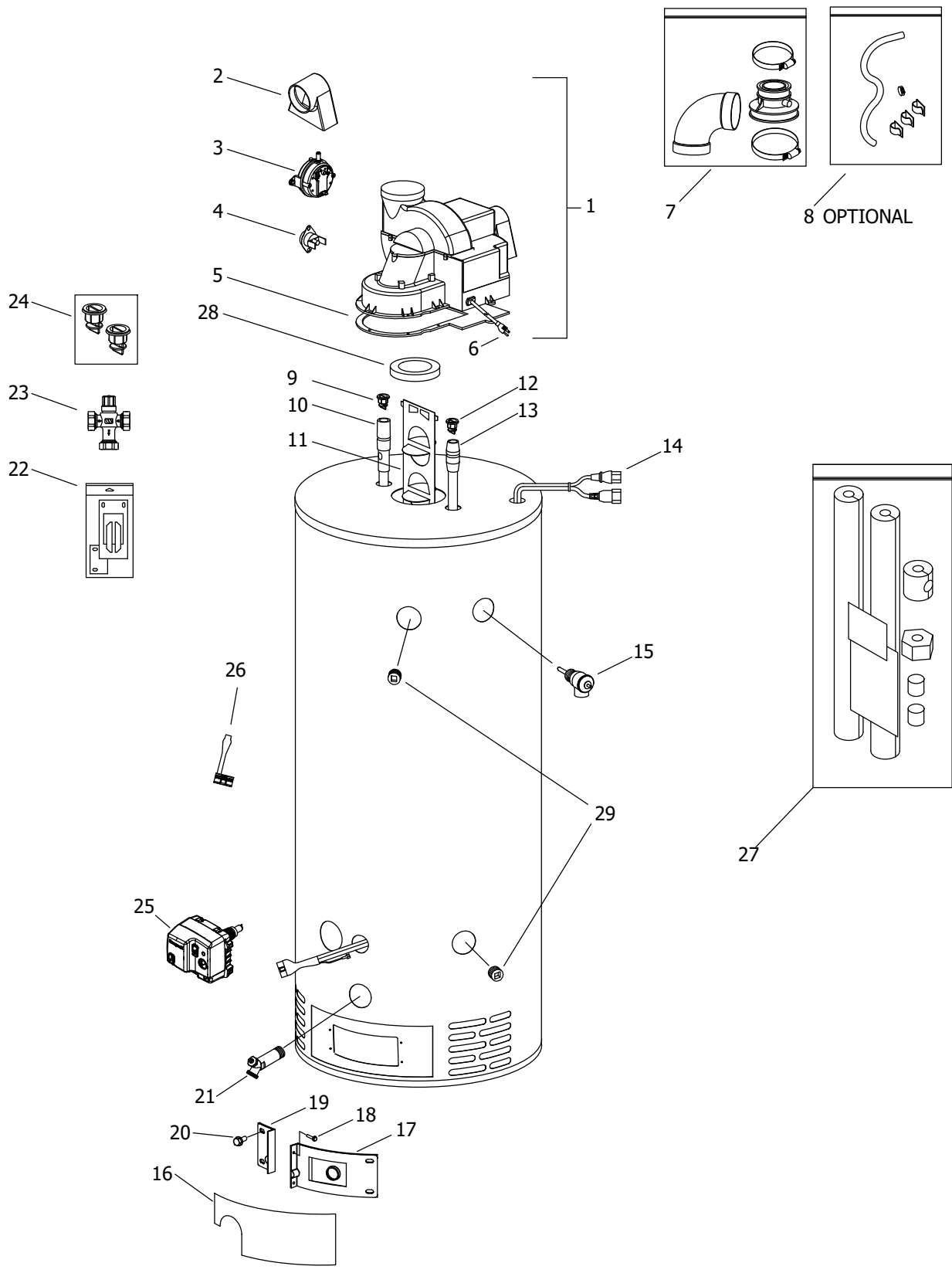


Item Description	Model RG2PV40S*(N,X)	Model RG2PV50S*(N,X)
<b>Natural Gas Burner Assembly</b>		
30 Nat Gas Burner Assembly Complete***	265-47439-09-32	265-47439-09-32
31 Nat. Gas (N) Burner**	228-42506-00	228-42506-00
32 Nat. Gas (N) Main Burner Orifice 0 Ft. to 2,000 Ft. **	234-41034-32	234-41034-32
Nat. Gas (N) High Altitude Orifice 0 Ft. to 4,500 Ft. (-220 model suffixes) **	234-41034-33	234-41034-33
33 Nat. Gas (N) Feedline	233-47431-04	233-47431-04
34 Nat. Gas Pilot Assembly**	415-45653-05	415-45653-05
<b>LP Gas Burner Assembly</b>		
35 LP Gas Burner Assembly Complete***	265-47440-09-50	265-47440-15-50
36 LP Gas (X) Burner**	228-46964-00	228-46964-00
37 LP Gas (X) Main Burner Orifice 0 Ft. to 2,000 Ft. **	234-47064-50	234-47064-50
LP Gas (X) High Altitude Orifice 0 Ft. to 4,500 Ft. (-220 model suffixes) **	234-47064-51	234-47064-51
38 LP Gas (X) Feedline	233-47432-03	233-47432-04
39 LP Gas Pilot Assembly**	415-45653-04	415-45653-04
LP to Nat. Gas Conversion Kit (Norm Alt.) 0 Ft. to 2,000 Ft.	265-46493-68	265-46493-87
LP to Nat. Gas Conversion Kit (High Alt.) 0 Ft. to 4,500 Ft. (-220 model suffixes)	265-46493-86	265-46493-88

\* Applies to all warranties.

\*\* Inner door gasket kit recommended.

\*\*\* Ordering a complete burner assembly may increase delivery time. Please order the specific component required for the quickest delivery.



Item Description	Model	Model
	RG2PV75H*(N,X)◆	LG2PV75H76*(N,X)◆
1 Blower Complete	415-45583-00	415-45583-00
Blower Complete High Altitude	239-45986-00	239-45986-00
2 Air Mixing Inlet	239-45868-00	239-45868-00
3 Pressure Switch	415-45867-02	415-45867-02
Pressure Switch High Altitude	239-45867-04	239-45867-04
4 Blower Temperature Switch	415-48752-00	415-48752-00
5 Blower Gasket	239-45866-00	239-45866-00
6 Blower Power Cord	239-44466-00	239-44466-00
7 3" Exhaust Adaptor w/Vent Terminal	239-51073-00	239-51073-00
8 Condensate Hose Kit (Optional)	415-45875-00	415-45875-00
9 Heat Trap Insert (Outlet)	415-45167-00	415-45167-00
10 Hot Water Outlet Anode (Magnesium)▲#	415-55482-00	415-55482-00
Hot Water Outlet (Aluminum)▲#	415-55484-00	415-55484-00
Hot Water Outlet (A420 Aluminum)▲#	415-55486-00	415-55486-00
11 Flue Baffle	239-45373-00	239-45373-00
12 Heat Trap Insert (Inlet)	415-51556-00	415-51556-00
13 Cold Water Inlet Dip Tube ▲▲	415-51230-20	415-51230-29
14 Safety Circuit Wire Harness	239-45617-02	239-45617-02
15 T&P Relief Valve	415-40594-02	415-40594-02
16 Outer Door	239-43962-00	239-43962-00
17 Right Side Inner Door Complete w/Gasket	239-47504-22	239-47504-22
18 Screw-#8-15 x 3/4 HWH	239-44195-00	239-44195-00
19 Left Side Inner Door Complete w/Gasket	239-43968-20	239-43968-20
20 Screw-#10-12 x 3/4 HWH	239-52581-00	239-52581-00
21 Brass Drain Valve	415-42351-02	415-42351-02
22 Inner Door Gasket Kit	239-47792-00	239-47792-00
23 ASSE Approved Mixing Valve (Optional)	239-51778-00	239-51778-00
24 Kit-Heat Trap Insert	265-51572-00	265-51572-00
25 Gas Valve Natural Gas	415-48795-02	415-48795-04
Gas Valve LP Gas	415-48796-02	415-48796-04
26 Simulated Resistive Device Harness	239-49817-00	239-49817-00
27 Insulation Kit	239-48949-00	239-48949-00
28 Flue Reducer	243-42572-00	243-42572-00
29 3/4" NPT Pipe Plug	239-11638-00	239-11638-00

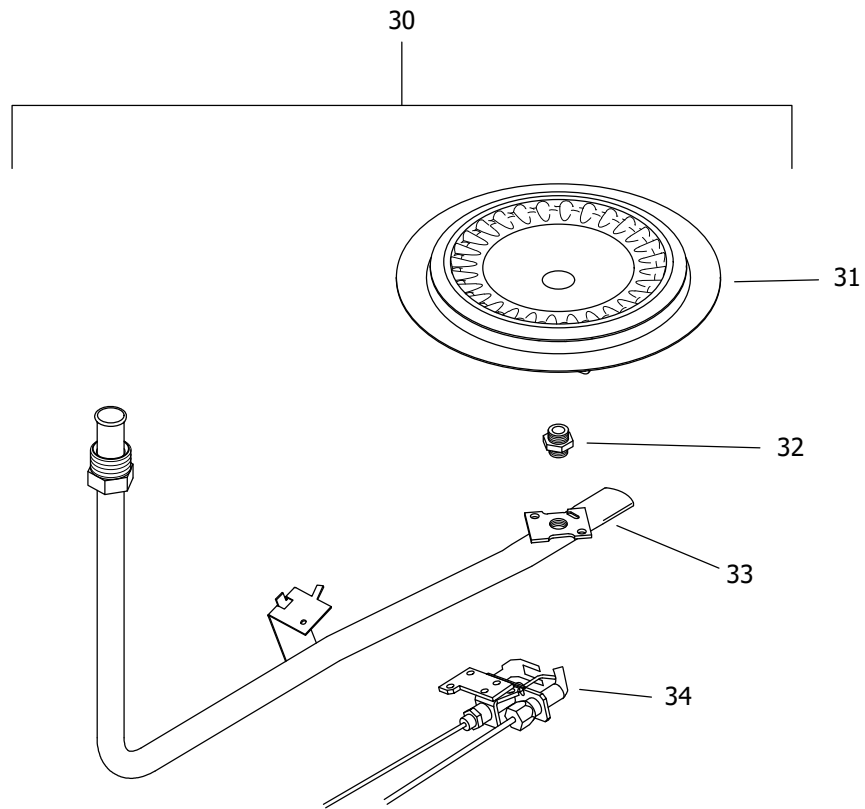
\* Applies to all warranties

# Anode may need to be cut to length

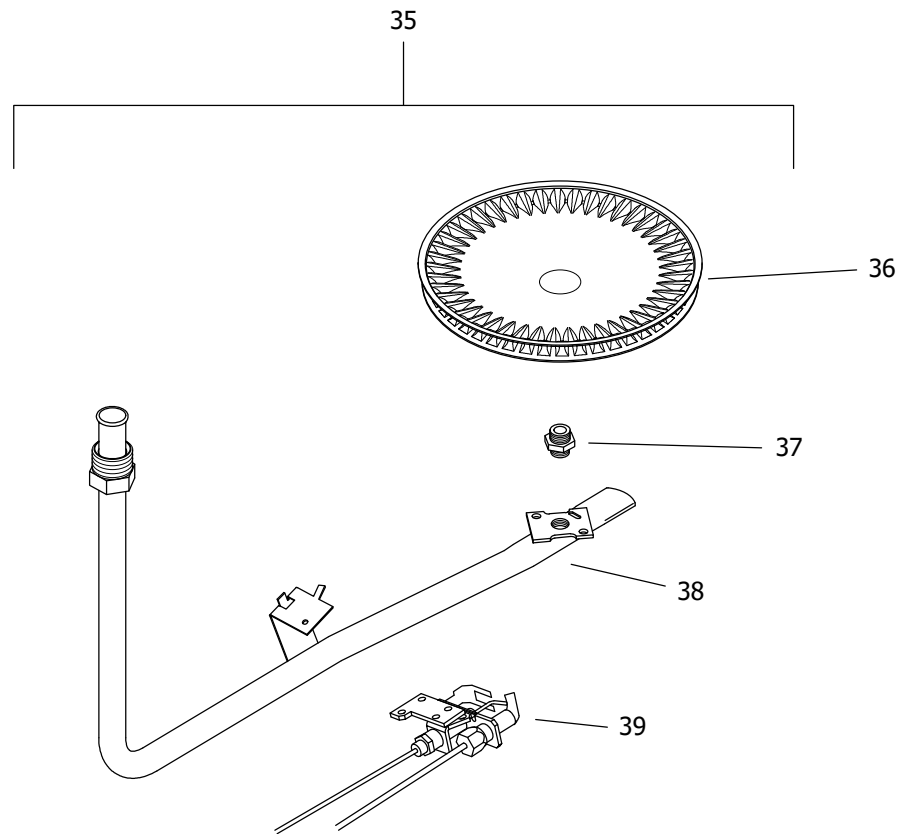
▲ Order with item 9

▲▲ Order with item 12

◆ (R,L)G2PV75H and (R,L)G1PV55H models are not flammable vapor compliant.



NATURAL GAS (BN) BURNER ASSEMBLY



LP GAS (SX) BURNER ASSEMBLY

LP GAS (SX) BURNER ASSEMBLY TO REPLACE LP GAS (CX) BURNER ASSEMBLY

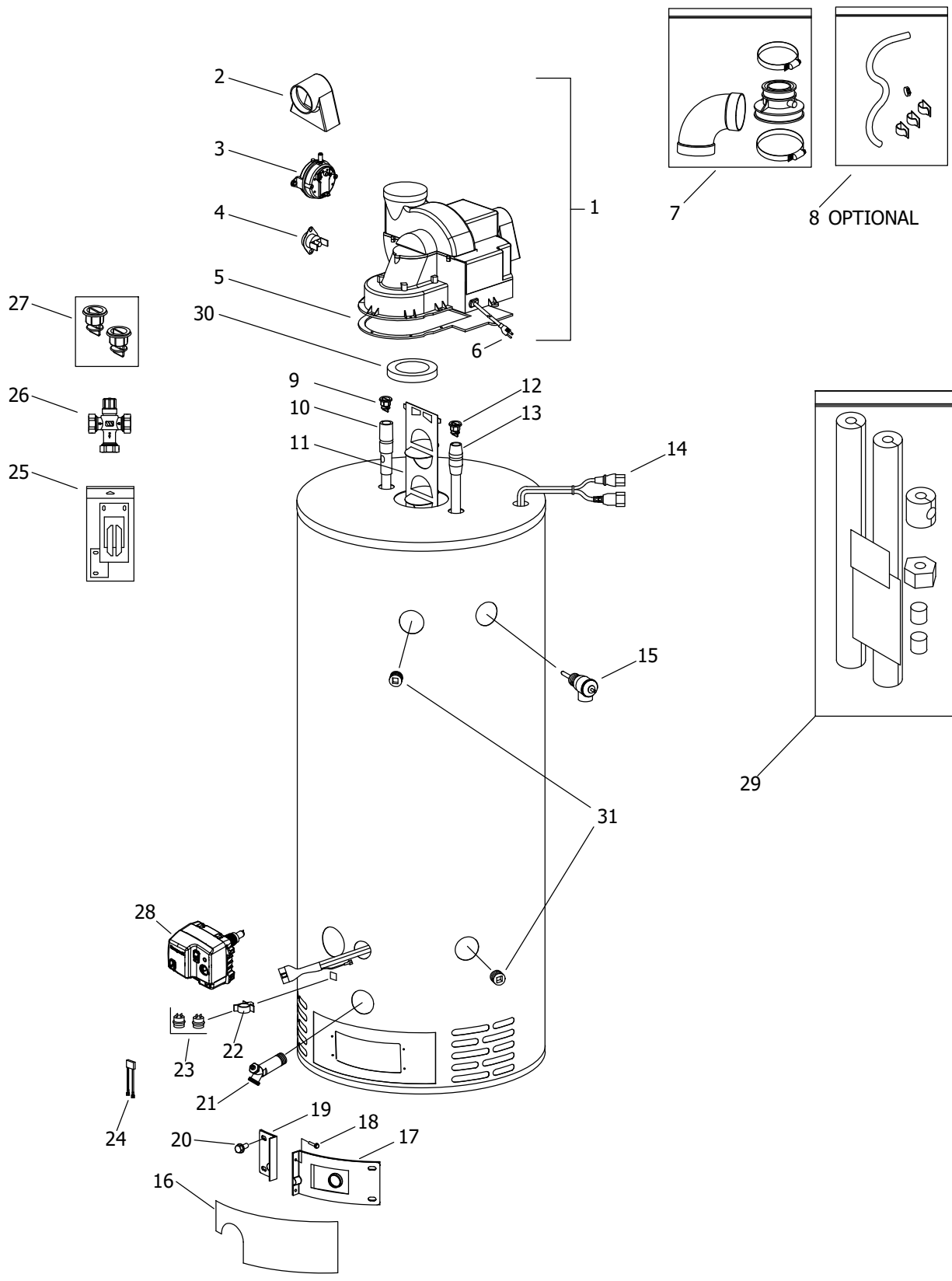
Item Description	Model	Model
	RG2PV75H*(N,X)◆	LG2PV75H76*(N,X)◆
<b>Natural Gas Burner Assembly</b>		
30 Nat Gas Burner Assembly Complete***	265-47785-01-21	265-47785-01-21
31 Nat. Gas (N) Burner**	228-47000-00	228-47000-00
32 Nat. Gas (N) Main Burner Orifice 0 Ft. to 2,000 Ft. **	234-41034-21	234-41034-21
Nat. Gas (N) High Altitude Orifice 0 Ft. to 4,500 Ft. (-220 & -254 model suffixes) **	234-41034-24	234-41034-24
33 Nat. Gas (N) Feedline	233-47374-04	233-47374-04
34 Nat. Gas Pilot Assembly**	415-45653-05	415-45653-05
<b>LP Gas Burner Assembly</b>		
35 LP Gas Burner Assembly Complete***	265-47377-01-40	265-47377-01-40
36 LP Gas (X) Burner**	228-46938-00	228-46938-00
37 LP Gas (X) Main Burner Orifice 0 Ft. to 2,000 Ft. **	234-47064-40	234-47064-40
LP Gas (X) High Altitude Orifice 0 Ft. to 4,500 Ft. (-220 & -254 model suffixes) **	234-47064-44	234-47064-44
38 LP Gas (X) Feedline	233-47672-04	233-47672-04
39 LP Gas Pilot Assembly**	415-45653-04	415-45653-04
LP to Nat. Gas Conversion Kit (Norm Alt.) 0 Ft. to 2,000 Ft.	265-46493-106	265-46493-107
LP to Nat. Gas Conversion Kit (High Alt.) 0 Ft. to 4,500 Ft. (-220 & -254 model suffixes)	265-46493-64	265-46493-66

\* Applies to all warranties.

\*\* Inner door gasket kit recommended.

\*\*\* Ordering a complete burner assembly may increase delivery time. Please order the specific component required for the quickest delivery.

◆ (R,L)G2PV75H and (R,L)G1PV55H models are not flammable vapor compliant.



Item Description	Model	Model
	RG1PV55H*(N,X)◆	LG1PV55H78*(N,X)◆
1 Blower Complete	239-47659-00	239-47659-00
Blower Complete High Altitude	243-47660-00	243-47660-00
2 Air Mixing Inlet	239-45868-00	239-45868-00
3 Pressure Switch	415-47815-01	415-47815-01
Pressure Switch High Altitude	415-45867-02	415-45867-02
4 Blower Temperature Switch	415-48752-00	415-48752-00
5 Blower Gasket	239-45866-00	239-45866-00
6 Blower Power Cord	239-44466-00	239-44466-00
7 3" Exhaust Adaptor w/Vent Terminal	239-51073-00	239-51073-00
8 Condensate Hose Kit (Optional)	415-45875-00	415-45875-00
9 Heat Trap Insert (Outlet)	415-45167-00	415-45167-00
10 Hot Water Outlet Anode (Magnesium)▲#	415-55482-00	415-55482-00
Hot Water Outlet (Aluminum)▲#	415-55484-00	415-55484-00
Hot Water Outlet (A420 Aluminum)▲#	415-55486-00	415-55486-00
11 Flue Core	239-47658-00	239-47658-00
12 Heat Trap Insert (Inlet)	415-45167-00	415-45167-00
13 Cold Water Inlet Dip Tube (PEX)▲▲	229-45092-07	229-45092-07
14 Safety Circuit Wire Harness	239-45617-02	239-45617-02
15 T&P Relief Valve	415-40594-01	415-40594-01
16 Outer Door	239-43962-00	239-43962-00
17 Right Side Inner Door Complete w/Gasket	239-45642-20	239-45642-20
18 Screw-#8-15 x 3/4 HWH	239-44195-00	239-44195-00
19 Left Side Inner Door Complete w/Gasket	239-43968-20	239-43968-20
20 Screw-#10-12 x 3/4 HWH	239-52581-00	239-52581-00
21 Brass Drain Valve	415-42351-02	415-42351-02
22 Flammable Vapor Sensor Clip	239-45648-00	239-45648-00
23 Flammable Vapor Sensor	415-45560-00	415-45560-00
24 Flammable Vapor Sensor Harness	239-49791-00	239-49791-00
25 Inner Door Gasket Kit	239-44078-00	239-44078-00
26 ASSE Approved Mixing Valve (Optional)	239-51778-00	239-51778-00
27 Kit-Heat Trap Insert	265-45420-00	265-45420-00
28 Gas Valve Natural Gas	239-48795-03	239-48795-03
Gas Valve LP Gas	239-48796-03	239-48796-03
29 Insulation Kit	239-48949-00	239-48949-00
30 Flue Reducer	243-42572-00	243-42572-00
31 3/4" NPT Pipe Plug	239-11638-00	239-11638-00

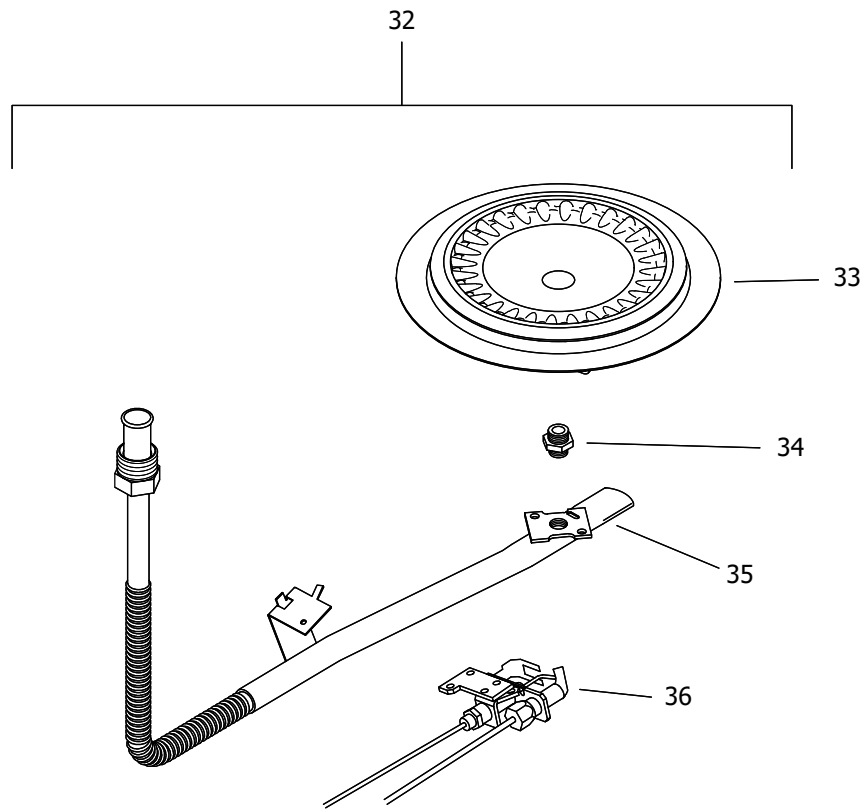
\* Applies to all warranties

# Anode may need to be cut to length

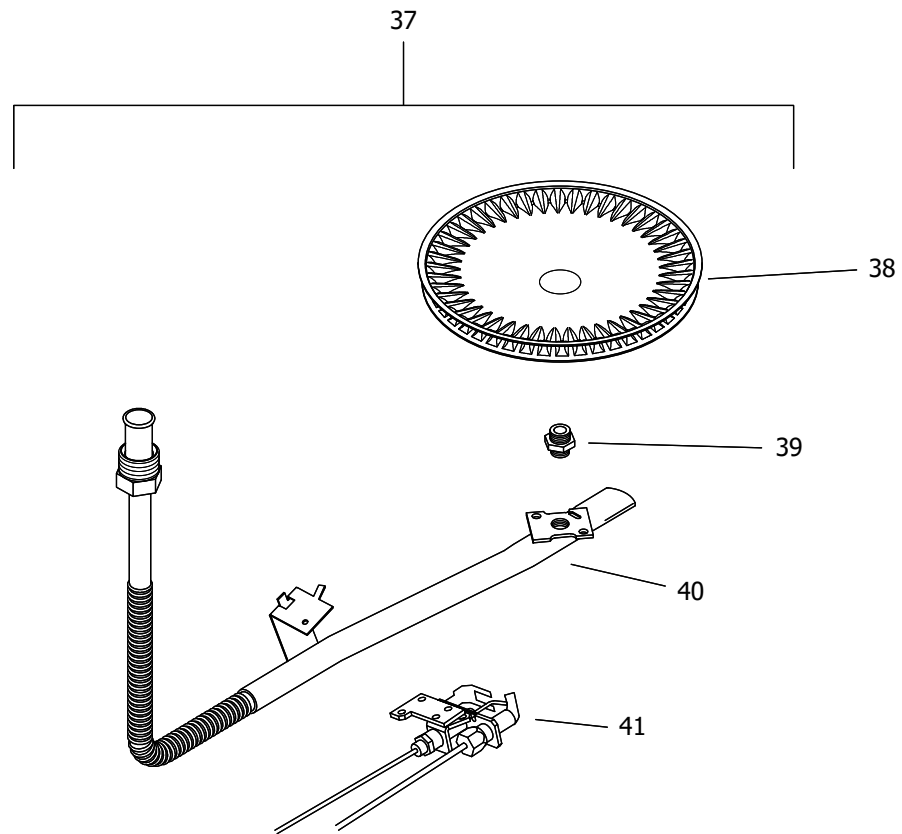
▲ Order with item 9

▲▲ Order with item 12

◆ (R,L)G2PV75H and (R,L)G1PV55H models are not flammable vapor compliant.



NATURAL GAS (BN) BURNER ASSEMBLY



LP GAS (SX) BURNER ASSEMBLY

LP GAS (SX) BURNER ASSEMBLY TO REPLACE LP GAS (CX) BURNER ASSEMBLY



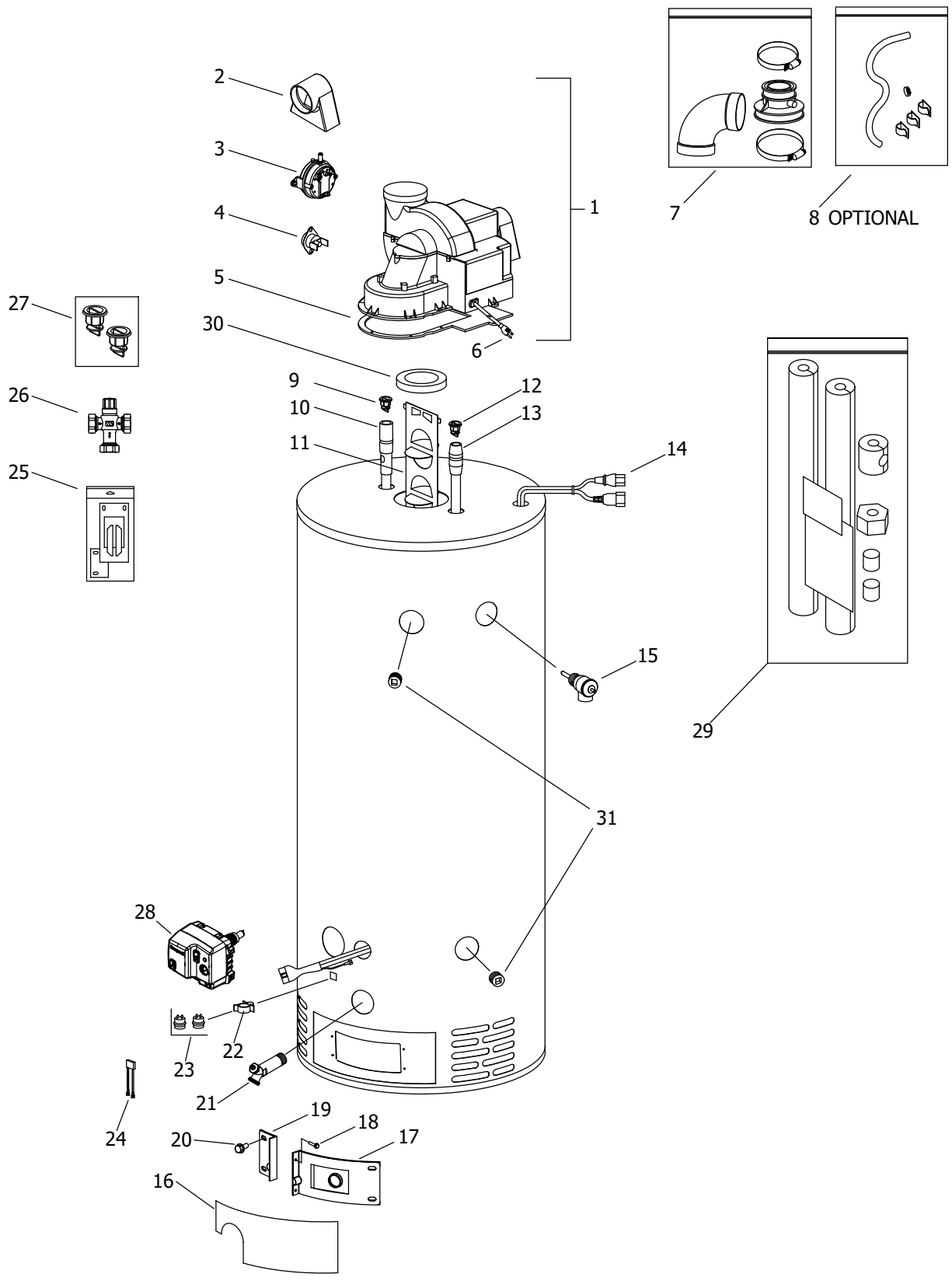
Item Description	Model	Model
	RG1PV55H*(N,X)◆	LG1PV55H78*(N,X)◆
<b>Natural Gas Burner Assembly</b>		
32 Nat Gas Burner Assembly Complete***	265-47439-15-24	265-47439-15-24
33 Nat. Gas (N) Burner**	228-47000-00	228-47000-00
34 Nat. Gas (N) Main Burner Orifice 0 Ft. to 2,000 Ft. **	234-41034-24	234-41034-24
Nat. Gas (N) High Altitude Orifice 0 Ft. to 4,500 Ft. (-220 & -254 model suffixes) **	234-41034-26	234-41034-26
35 Nat. Gas (N) Feedline	233-47431-03	233-47431-03
36 Nat. Gas Pilot Assembly**	415-45653-05	415-45653-05
<b>LP Gas Burner Assembly</b>		
37 LP Gas Burner Assembly Complete***	265-47440-10-40	265-47440-10-40
38 LP Gas (X) Burner**	228-47000-00	228-47000-00
39 LP Gas (X) Main Burner Orifice 0 Ft. to 2,000 Ft. **	234-47064-40	234-47064-40
LP Gas (X) High Altitude Orifice 0 Ft. to 4,500 Ft. (-220 & -254 model suffixes) **	234-47064-42	234-47064-42
40 LP Gas (X) Feedline	233-47432-03	233-47432-03
41 LP Gas Pilot Assembly**	415-45653-04	415-45653-04
LP to Nat. Gas Conversion Kit (Norm Alt.) 0 Ft. to 2,000 Ft.	265-46493-102	265-46493-102
LP to Nat. Gas Conversion Kit (High Alt.) 0 Ft. to 4,500 Ft. (-220 & -254 model suffixes)	265-46493-43	265-46493-43

\* Applies to all warranties.

\*\* Inner door gasket kit recommended.

\*\*\* Ordering a complete burner assembly may increase delivery time. Please order the specific component required for the quickest delivery.

◆ (R,L)G2PV75H and (R,L)G1PV55H models are not flammable vapor compliant.



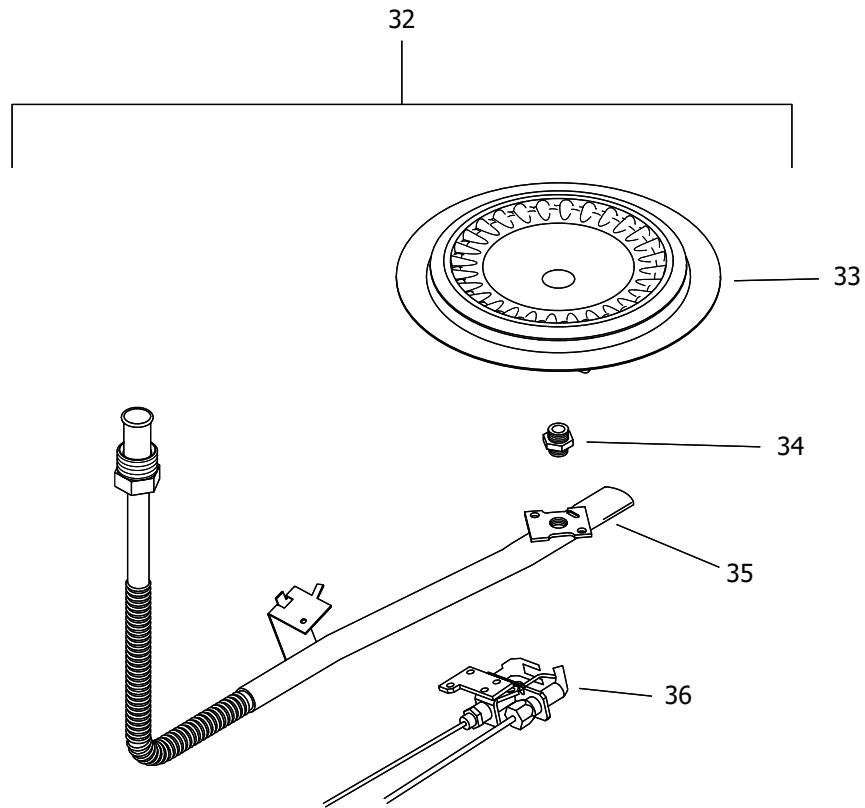
Item Description	Model	Model
	RG2PV50H*(N,X)	LG2PV50H65*(N,X)
1 Blower Complete	265-48861-00	265-48861-00
Blower Complete High Altitude	265-49227-00	265-49227-00
2 Air Mixing Inlet	239-45868-00	239-45868-00
3 Pressure Switch	415-47815-01	415-47815-01
Pressure Switch High Altitude	415-45867-02	415-45867-02
4 Blower Temperature Switch	415-48752-00	415-48752-00
5 Blower Gasket	239-45866-00	239-45866-00
6 Blower Power Cord	239-44466-00	239-44466-00
7 3" Exhaust Adaptor w/Vent Terminal	239-51073-00	239-51073-00
8 Condensate Hose Kit (Optional)	415-45875-00	415-45875-00
9 Heat Trap Insert (Outlet)	415-45167-00	415-45167-00
10 Hot Water Outlet Anode (Magnesium)▲#	415-55482-00	415-55482-00
Hot Water Outlet (Aluminum)▲#	415-55484-00	415-55484-00
Hot Water Outlet (A420 Aluminum)▲#	415-55486-00	415-55486-00
11 Flue Baffle	239-45373-00	239-45373-00
12 Heat Trap Insert (Inlet)	415-51556-00	415-45167-00
13 Cold Water Inlet Dip Tube (PEX)▲▲	415-51230-20	229-45092-08
14 Safety Circuit Wire Harness	239-45617-02	239-45617-02
15 T&P Relief Valve	415-40594-02	415-40594-02
16 Outer Door	239-43962-00	239-43962-00
17 Right Side Inner Door Complete w/Gasket	239-45642-18	239-45642-18
18 Screw-#8-15 x 3/4 HWH	239-44195-00	239-44195-00
19 Left Side Inner Door Complete w/Gasket	239-43968-18	239-43968-18
20 Screw-#10-12 x 3/4 HWH	239-52581-00	239-52581-00
21 Brass Drain Valve	415-42351-02	415-42351-02
22 Flammable Vapor Sensor Clip	239-45648-00	239-45648-00
23 Flammable Vapor Sensor	415-45560-00	415-45560-00
24 Flammable Vapor Sensor Harness	239-49791-00	239-45620-00
25 Inner Door Gasket Kit	239-44078-00	239-44078-00
26 ASSE Approved Mixing Valve (Optional)	239-51778-00	239-51778-00
27 Kit-Heat Trap Insert	265-51572-00	265-45420-00
28 Gas Valve Natural Gas	415-48795-02	415-48795-04
Gas Valve LP Gas	415-48796-02	415-48796-04
29 Insulation Kit	239-48949-00	239-48949-00
30 Flue Reducer	239-48802-00	243-42572-00
31 3/4" NPT Pipe Plug	239-11638-00	239-11638-00

\* Applies to all warranties

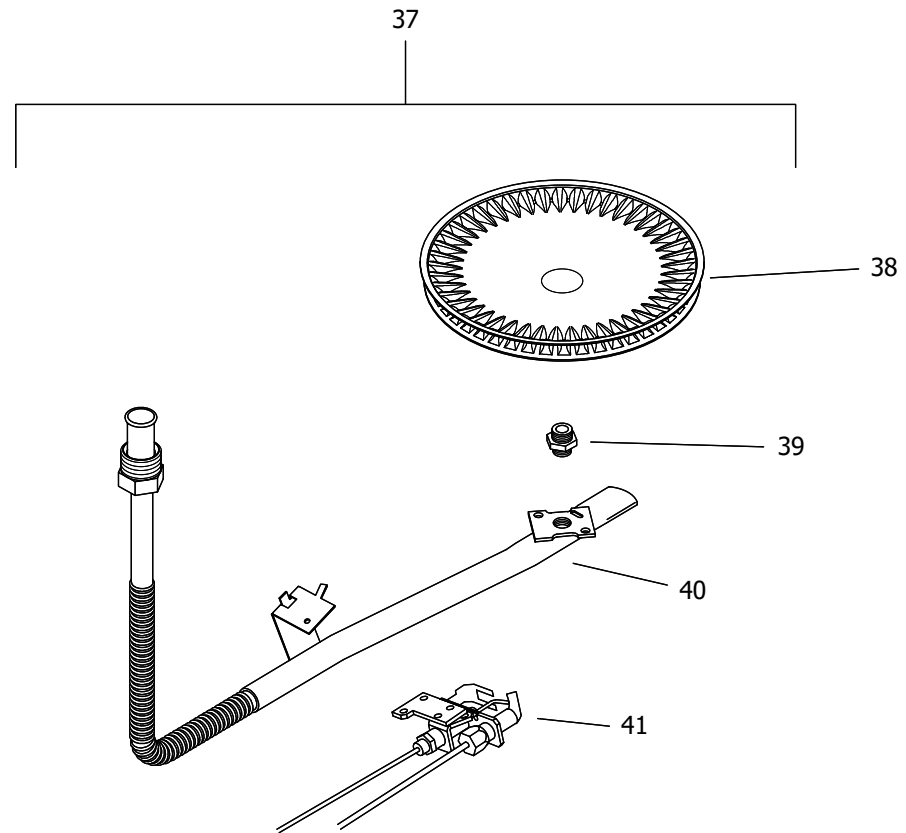
# Anode may need to be cut to length

▲ Order with item 9

▲▲ Order with item 12



NATURAL GAS (BN) BURNER ASSEMBLY



LP GAS (SX) BURNER ASSEMBLY

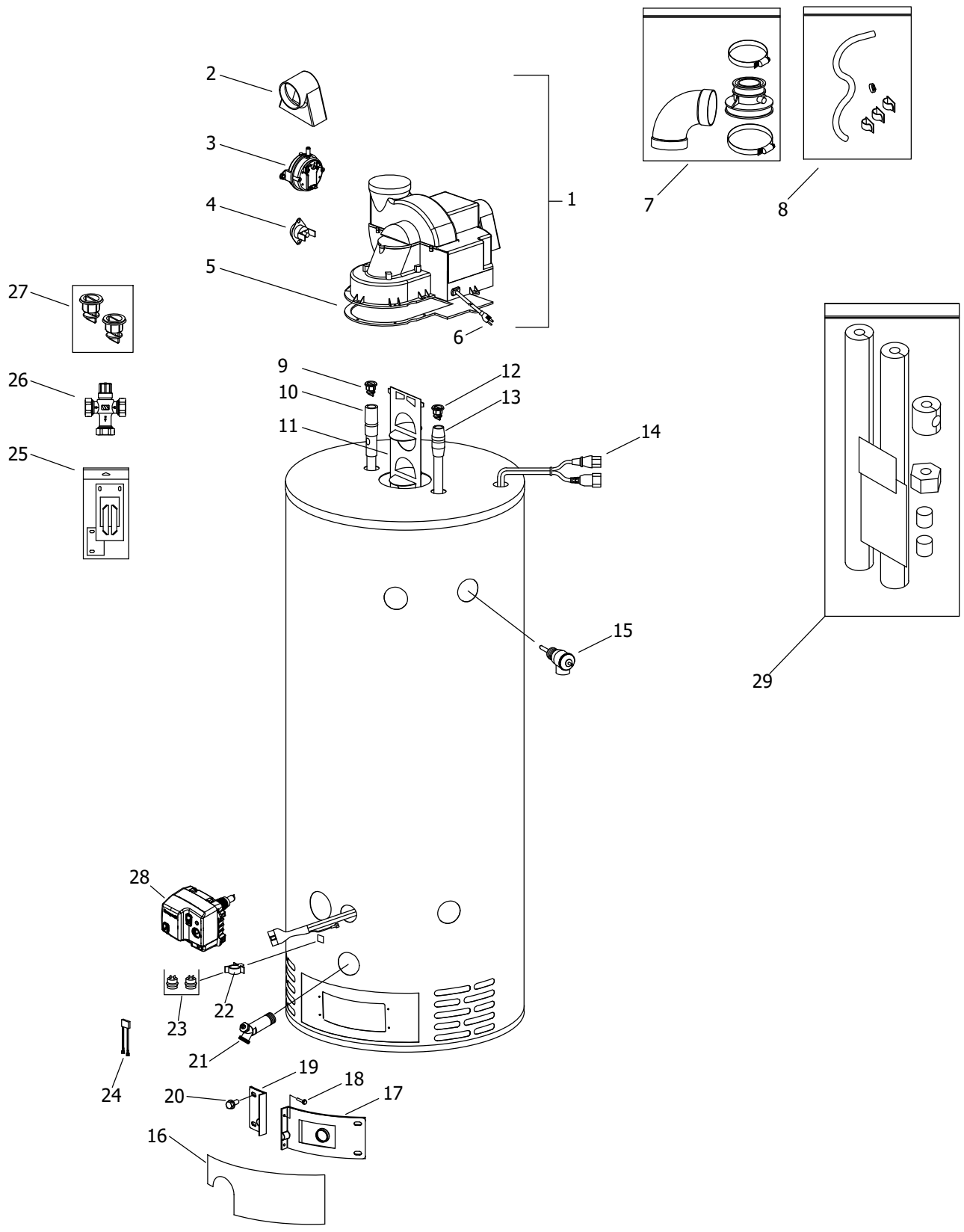
LP GAS (SX) BURNER ASSEMBLY TO REPLACE LP GAS (CX) BURNER ASSEMBLY

Item Description	Model RG2PV50H*(N,X)	Model LG2PV50H65*(N,X)
<b>Natural Gas Burner Assembly</b>		
32 Nat Gas Burner Assembly Complete***	265-47439-06-27	265-47439-06-27
33 Nat. Gas (N) Burner**	228-42506-00	228-42506-00
34 Nat. Gas (N) Main Burner Orifice 0 Ft. to 2,000 Ft. **	234-41034-27	234-41034-27
Nat. Gas (N) High Altitude Orifice 0 Ft. to 4,500 Ft. (-220 & -254 model suffixes) **	234-41034-29	234-41034-29
35 Nat. Gas (N) Feedline	233-47431-03	233-47431-03
36 Nat. Gas Pilot Assembly**	415-45653-05	415-45653-05
<b>LP Gas Burner Assembly</b>		
37 LP Gas Burner Assembly Complete***	265-47440-10-44	265-47440-10-44
38 LP Gas (X) Burner**	228-47000-00	228-47000-00
39 LP Gas (X) Main Burner Orifice 0 Ft. to 2,000 Ft. **	234-47064-44	234-47064-44
LP Gas (X) High Altitude Orifice 0 Ft. to 4,500 Ft. (-220 & -254 model suffixes) **	234-47064-47	234-47064-47
40 LP Gas (X) Feedline	233-47432-03	233-47432-03
41 LP Gas Pilot Assembly**	415-45653-04	415-45653-04
LP to Nat. Gas Conversion Kit (Norm Alt.) 0 Ft. to 2,000 Ft.	265-46493-24	265-46493-33
LP to Nat. Gas Conversion Kit (High Alt.) 0 Ft. to 4,500 Ft. (-220 & -254 model suffixes)	265-46493-30	265-46493-26

\* Applies to all warranties.

\*\* Inner door gasket kit recommended.

\*\*\* Ordering a complete burner assembly may increase delivery time. Please order the specific component required for the quickest delivery.



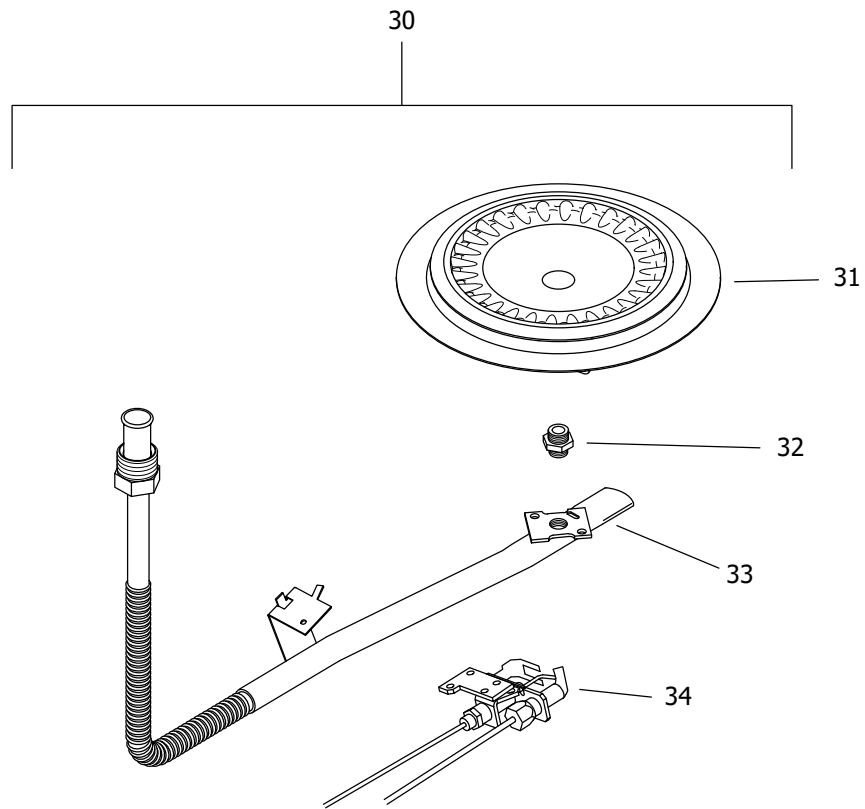
Item Description	Model
	RG2PV60T*(N,X)
1 Blower Complete	239-48685-00
Blower Complete High Altitude	243-48686-00
2 Air Mixing Inlet	239-45868-00
3 Pressure Switch	415-47815-03
Pressure Switch High Altitude	415-47815-04
4 Blower Temperature Switch	415-48752-00
5 Blower Gasket	239-45866-00
6 Blower Power Cord	239-44466-00
7 2" Exhaust Adaptor w/Vent Terminal	239-51072-00
8 Condensate Hose Kit (Optional)	415-45875-00
9 Heat Trap Insert (Outlet)	415-45167-00
10 Hot Water Outlet Anode (Magnesium)▲#	415-55482-00
Hot Water Outlet (Aluminum)▲#	415-55484-00
Hot Water Outlet (A420 Aluminum)▲#	415-55486-00
11 Flue Baffle	239-45372-00
12 Heat Trap Insert (Inlet)	415-45167-00
13 Cold Water Inlet Dip Tube ▲▲	415-45092-06
14 Safety Circuit Wire Harness	239-45617-02
15 T&P Relief Valve	415-40594-02
16 Outer Door	239-43962-00
17 Right Side Inner Door Complete w/Gasket	239-45642-20
18 Screw-#8-15 x 3/4 HWH	239-44195-00
19 Left Side Inner Door Complete w/Gasket	239-43968-20
20 Screw-#10-12 x 3/4 HWH	239-52581-00
21 Brass Drain Valve	415-42351-02
22 Flammable Vapor Sensor Clip	239-45648-00
23 Flammable Vapor Sensor	415-45560-00
24 Flammable Vapor Sensor Harness	239-49791-00
25 Inner Door Gasket Kit	239-44078-00
26 ASSE Approved Mixing Valve (Optional)	239-51778-00
27 Kit-Heat Trap Insert	265-45420-00
28 Gas Valve Natural Gas	415-48795-02
Gas Valve LP Gas	415-48796-02
29 Insulation Kit	239-48949-00

\* Applies to all warranties

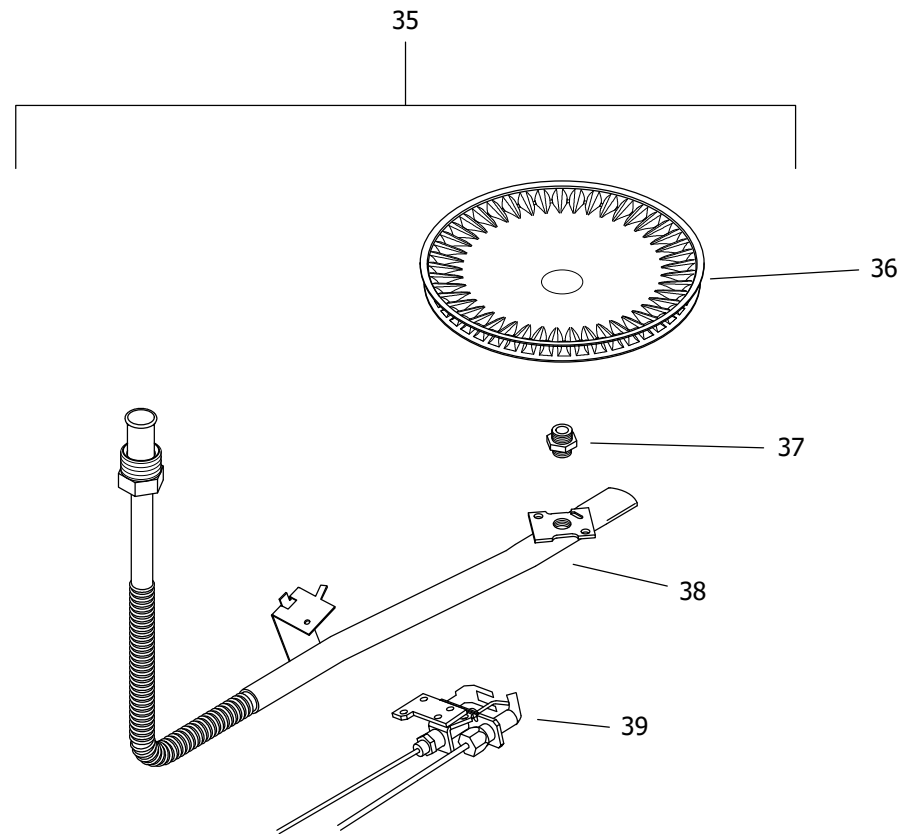
# Anode may need to be cut to length

▲ Order with item 9

▲▲ Order with item 12



NATURAL GAS (BN) BURNER ASSEMBLY



LP GAS (SX) BURNER ASSEMBLY

LP GAS (SX) BURNER ASSEMBLY TO REPLACE LP GAS (CX) BURNER ASSEMBLY



Item Description	Model
	RG2PV60T*(N,X)
<b>Natural Gas Burner Assembly</b>	
30 Nat Gas Burner Assembly Complete***	265-47439-06-32
31 Nat. Gas (N) Burner**	228-42506-00
32 Nat. Gas (N) Main Burner Orifice 0 Ft. to 2,000 Ft. **	234-41034-32
Nat. Gas (N) High Altitude Orifice 0 Ft. to 4,500 Ft. (-220 model suffixes) **	234-41034-33
33 Nat. Gas (N) Feedline	233-47431-03
34 Nat. Gas Pilot Assembly**	415-45653-05
<b>LP Gas Burner Assembly</b>	
35 LP Gas Burner Assembly Complete***	265-47440-09-50
36 LP Gas (X) Burner**	228-46964-00
37 LP Gas (X) Main Burner Orifice 0 Ft. to 2,000 Ft. **	234-47064-50
LP Gas (X) High Altitude Orifice 0 Ft. to 4,500 Ft. (-220 model suffixes) **	234-47064-51
38 LP Gas (X) Feedline	233-47432-03
39 LP Gas Pilot Assembly**	415-45653-04
LP to Nat. Gas Conversion Kit (Norm Alt.) 0 Ft. to 2,000 Ft.	265-46493-02
LP to Nat. Gas Conversion Kit (High Alt.) 0 Ft. to 4,500 Ft. (-220 model suffixes)	265-46493-03

\* Applies to all warranties.

\*\* Inner door gasket kit recommended.

\*\*\* Ordering a complete burner assembly may increase delivery time. Please order the specific component required for the quickest delivery.



## United States

---

**Sales** 1-800-523-2931  
**Technical Support** 1-800-334-3393  
**Email** [techsupport@bradfordwhite.com](mailto:techsupport@bradfordwhite.com)  
**Warranty** 1-800-531-2111  
**Email** [warranty@bradfordwhite.com](mailto:warranty@bradfordwhite.com)  
**Service Parts** 1-800-538-2020  
**Email** [parts@bradfordwhite.com](mailto:parts@bradfordwhite.com)

## Canada

---

**Sales** 1-866-690-0961 1-905-203-0600  
**Fax** 905-636-0666  
**Warranty** 1-800-531-2111  
**Email** [warranty@bradfordwhite.com](mailto:warranty@bradfordwhite.com)  
**Technical Support** 1-800-334-3393  
**Email** [techsupport@bradfordwhite.com](mailto:techsupport@bradfordwhite.com)  
**Service Parts and Orders** [ca.orders@bradfordwhite.com](mailto:ca.orders@bradfordwhite.com)

For U.S. and Canada field service, contact your professional installer or local Bradford White sales representative.

## International

---

**General Contact** [international@bradfordwhite.com](mailto:international@bradfordwhite.com)