



# CANADA RESIDENTIAL ELECTRIC REPLACEMENT

## Upright, Lowboy, & High Efficiency Upright Models



**Models Covered:**  
RE2(30,40,50)S\*  
RE3(30,40,50)S\*  
RE2(50,55,65)T\*  
RE250T\* Alternate  
RE3(40,50)T\*  
RE2(30,40,50)L\*  
RE130L\*  
RE2(30,40,50)LN\*  
RE280T\*  
\*Denotes warranty year

**Effective: October, 2024**  
**ECO 8780**

**NOTE: BOTH MODEL AND SERIAL  
NUMBERS ARE REQUIRED FOR  
ORDERING REPLACEMENT PARTS**

Dimensions and specifications  
subject to change without notice.

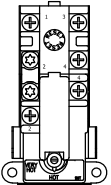
**WARNING**  
CANCER AND REPRODUCTIVE HARM  
[WWW.P65WARNINGS.CA.GOV](http://WWW.P65WARNINGS.CA.GOV)

As required by the state of California Proposition 65.

**TOP LOCATION**

- Double element water heater, non-simultaneous single phase and three phase operation.

59T66T



415-51046-00

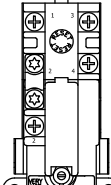
**TOP LOCATION**

- Double element water heater, simultaneous operation.

**BOTTOM LOCATION**

- Single element water heater.
- Double element water heater, non-simultaneous three phase operation.
- Double element water heater, simultaneous operation.

59T66T

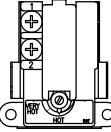


415-50691-00

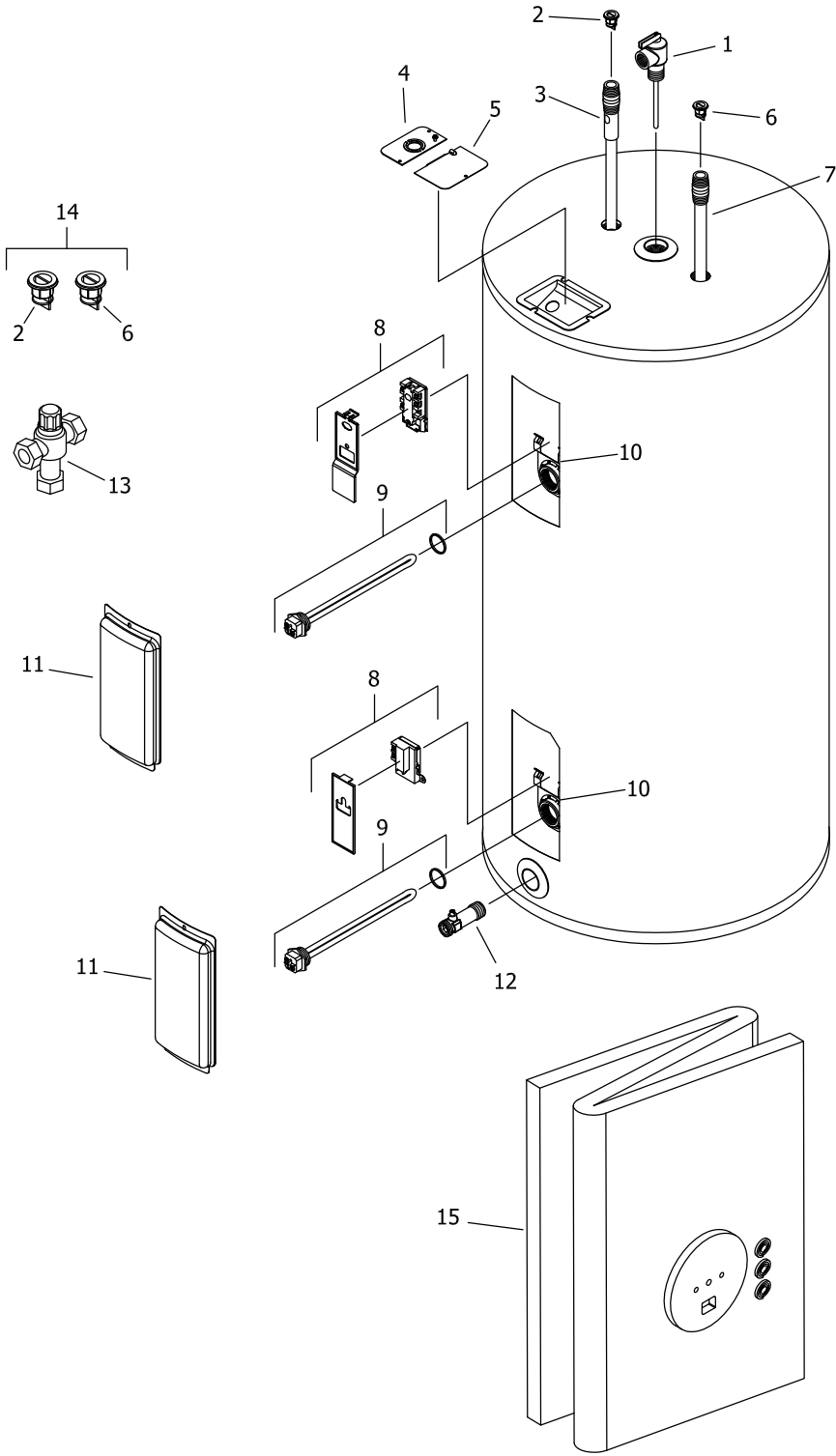
**BOTTOM LOCATION**

- Double element water heater, non-simultaneous single phase operation

59T



415-51046-00



Item	Description	Model RE230S	Model RE240S	Model RE250S	Model RE330S	Model RE340S	Model RE350S
1	T&P Relief Valve	415-40594-02	415-40594-02	415-40594-02	415-40594-02	415-40594-02	415-40594-02
2	Heat Trap Insert (Outlet)	415-45167-00	415-45167-00	415-45167-00	415-45167-00	415-45167-00	415-45167-00
3	Hot Water Outlet Anode (Magnesium) ♦#	415-55482-00	415-55482-00	415-55482-00	415-55482-00	415-55482-00	415-55482-00
	Hot Water Outlet Anode (Aluminum) ♦#	415-55484-00	415-55484-00	415-55484-00	415-55484-00	415-55484-00	415-55484-00
	Hot Water Outlet Anode (A420 Aluminum) ♦#	415-55486-00	415-55486-00	415-55486-00	415-55486-00	415-55486-00	415-55486-00
4	Cover Conduit/Ground w/ Ground Screw	239-55386-00	239-55386-00	239-55386-00	239-55386-00	239-55386-00	239-55386-00
5	Cover Junction Box	243-39452-00	243-39452-00	243-39452-00	243-39452-00	243-39452-00	243-39452-00
6	Heat Trap Insert (Inlet)	415-51556-00	415-51556-00	415-51556-00	415-51556-00	415-51556-00	415-51556-00
7	Cold Water Inlet Tube PEX ♦♦	415-51230-21	415-51230-21	415-51230-21	415-51230-21	415-51230-21	415-51230-21
8	Upper Thermostat with High Limit (59T66) & Protector ▲■	415-51046-00	415-51046-00	415-51046-00	415-51046-00	415-51046-00	415-51046-00
	Lower Thermostat (59T66) w/ Protector ▲■	415-51046-00	415-51046-00	415-51046-00	415-51046-00	415-51046-00	415-51046-00
	Lower Thermostat with High Limit (59T66) ▲	415-50691-00	415-50691-00	415-50691-00	415-50691-00	415-50691-00	415-50691-00
9	Heating Element 240V 4500W w/ Gasket μ	415-48642-00	415-48642-00	415-48642-00	415-48642-00	415-48642-00	415-48642-00
10	Thermostat Mounting Bracket	415-50689-00	415-50689-00	415-50689-00	415-50689-00	415-50689-00	415-50689-00
11	Access Cover	243-36618-02	243-36618-02	243-36618-02	243-36618-02	243-36618-02	243-36618-02
12	Drain Valve	415-51684-01	415-51684-01	415-51684-01	415-51684-02	415-51684-02	415-51684-02
13	ASSE Approved Mixing Valve	239-51778-00	239-51778-00	239-51778-00	239-51778-00	239-51778-00	239-51778-00
14	Kit-Heat Trap Insert (PEX)	265-51572-00	265-51572-00	265-51572-00	265-51572-00	239-51778-00	265-51572-00
15	Blanket Kit	239-50210-01	239-50210-01	239-50210-02	---	---	---

♦ Order with item 2.

♦♦ Order with item 6.

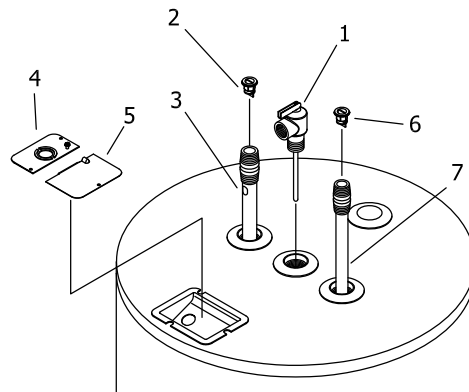
▲ Thermostat protector provided with thermostat. The thermostat mounting bracket is also provided with the thermostat.

μ For other voltage and wattage combinations, refer to heating elements on page 10 & 11

■ Upper and lower thermostats are packaged together.

# Anode may need to be cut to length, please see page 12 for reference chart of anode length by model.

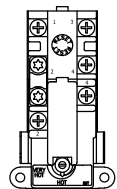
**RE250T ALTERNATE CONSTRUCTION\***



**TOP LOCATION**

- Double element water heater, non-simultaneous single phase and three phase operation.

59T66T



415-51046-00

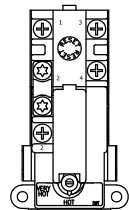
**TOP LOCATION**

- Double element water heater, simultaneous operation.

**BOTTOM LOCATION**

- Single element water heater.
- Double element water heater, non-simultaneous three phase operation.
- Double element water heater, simultaneous operation.

59T66T

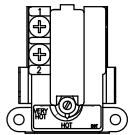


415-50691-00

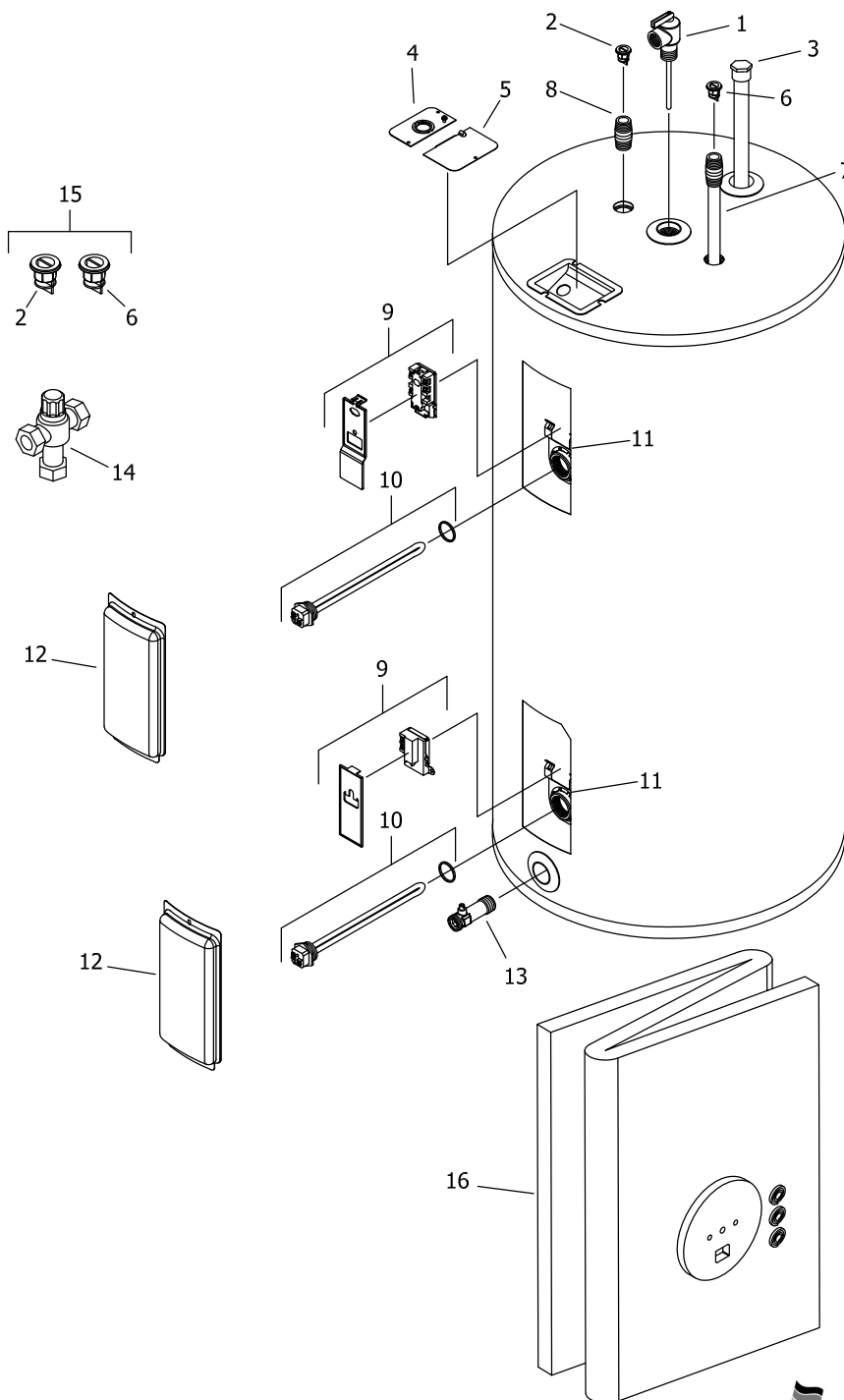
**BOTTOM LOCATION**

- Double element water heater, non-simultaneous single phase operation

59T



415-51046-00



Item	Description	Model RE250T	Model RE250T Alternate*	Model RE265T	Model RE280T	Model RE340T	Model RE350T
1	T&P Relief Valve	415-40594-02	415-40594-02	415-40594-02	415-40594-02	415-40594-02	415-40594-02
2	Heat Trap Insert (Outlet)	415-45167-00	415-45167-00	415-45167-00	415-45167-00	415-45167-00	415-45167-00
3	Hot Water Outlet Anode (Magnesium) ♦#	---	415-55482-00	415-55482-00	415-55482-00	415-55482-00	415-47776-25
	Hot Water Outlet Anode (Aluminum) ♦#	---	415-55484-00	415-55484-00	415-55484-00	415-55484-00	415-32999-43
	Hex head Sacrificial Anode (Aluminum) ♦#	415-55485-00	---	---	---	---	---
	Hot Water Outlet Anode (A420 Aluminum) ♦#	---	415-55486-00	415-55486-00	415-55486-00	415-55486-00	415-49560-11
4	Cover Conduit/Ground w/ Ground Screw	239-55386-00	239-55386-00	239-55386-00	239-55386-00	239-55386-00	239-55386-00
5	Cover Junction Box	243-39452-00	243-39452-00	243-39452-00	243-39452-00	243-39452-00	243-39452-00
6	Heat Trap Insert (Inlet)	415-51556-00	415-51556-00	415-51556-00	415-51556-00	415-51556-00	415-51556-00
7	Cold Water Inlet Tube PEX ♦♦	229-51718-05	229-51718-05	229-51415-22	229-51415-22	415-51230-28	229-51718-05
8	Nipple outlet	229-50053-06	---	---	---	---	---
9	Upper Thermostat with High Limit (59T66) & Protector ▲■	415-51046-00	415-51046-00	415-51046-00	415-51046-00	415-51046-00	415-51046-00
	Lower Thermostat (59T) w/ Protector ▲■	415-51046-00	415-51046-00	415-51046-00	415-51046-00	415-51046-00	415-51046-00
	Lower Thermostat with High Limit (59T66) ▲	415-50691-00	415-50691-00	415-50691-00	415-50691-00	415-50691-00	415-50691-00
10	Heating Element 240V 4500W w/ Gasket μ (qty 2)	415-48642-00	415-48642-00	415-48642-00	415-48642-00	415-48642-00	415-48642-00
11	Thermostat Mounting Bracket	415-50689-00	415-50689-00	415-50689-00	415-50689-00	415-50689-00	415-50689-00
12	Access Cover	243-36618-02	243-36618-02	243-36618-02	243-36618-02	243-36618-02	243-36618-02
13	Brass Drain Valve	415-51684-01	415-51684-01	415-51684-02	415-51684-02	415-51684-02	415-51684-02
14	ASSE Approved Mixing Valve	239-51778-00	239-51778-00	239-51778-00	239-51778-00	239-51778-00	239-51778-00
15	Kit-Heat Trap Insert (PEX)	265-51572-00	265-51572-00	265-51572-00	265-51572-00	265-51572-00	265-51572-00
16	Blanket Kit	---	---	---	---	---	---

♦ Order with item 2.

♦♦ Order with item 6.

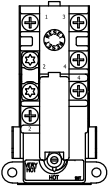
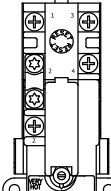
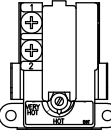
▲ Thermostat protector provided with thermostat. The thermostat mounting bracket is also provided with the thermostat.

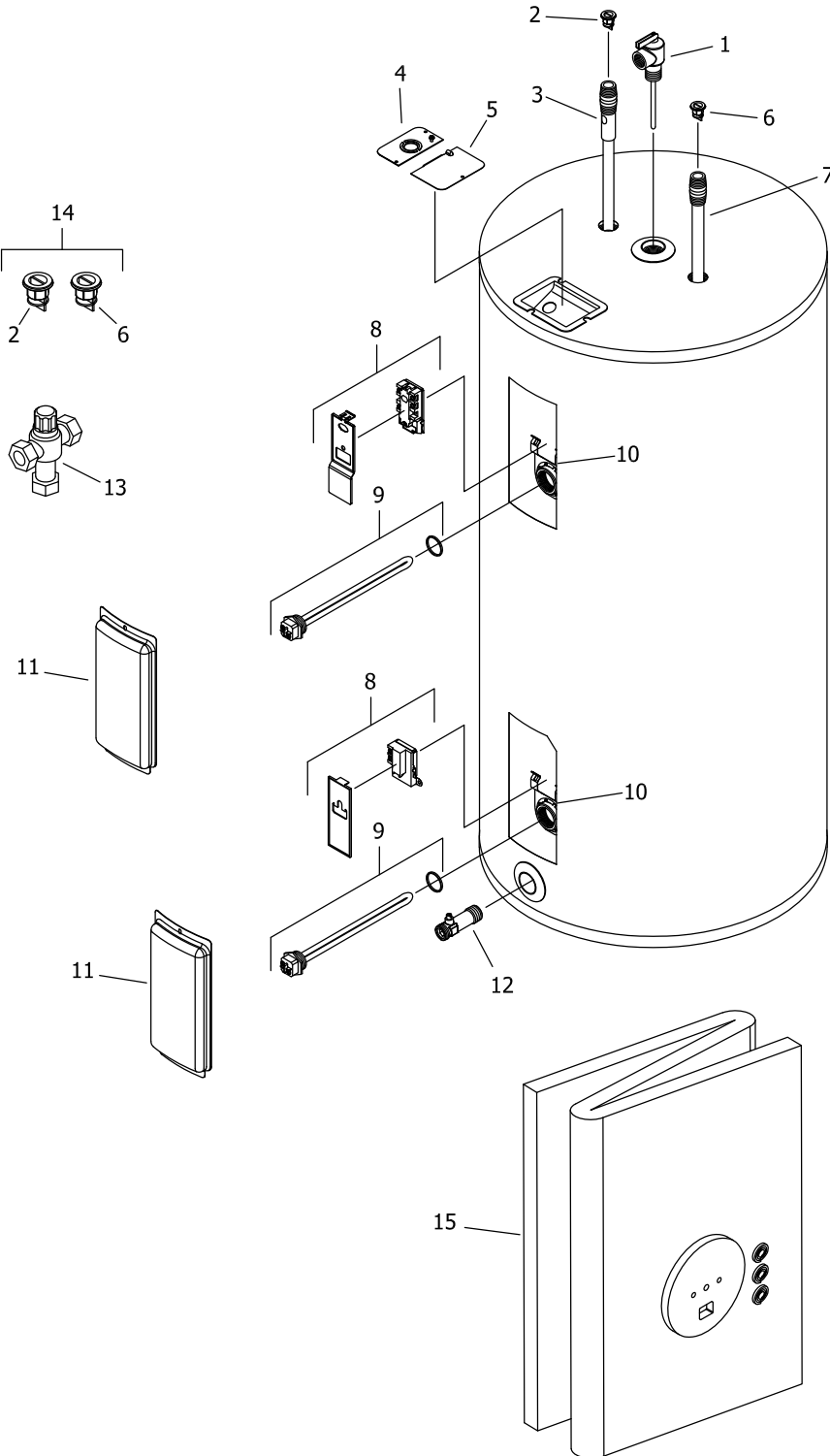
μ For other voltage and wattage combinations, refer to heating elements on page 10 & 11

■ Upper and lower thermostats are packaged together.

# Anode may need to be cut to length, please see page 12 for reference chart of anode length by model.

\* See RE250T alternate construction on page 5.

<p><b>TOP LOCATION</b></p> <ul style="list-style-type: none"> <li>● Double element water heater, non-simultaneous single phase and three phase operation.</li> </ul>  <p>59T66T</p> <p>415-51046-00</p>
<p><b>TOP LOCATION</b></p> <ul style="list-style-type: none"> <li>● Double element water heater, simultaneous operation.</li> </ul> <p><b>BOTTOM LOCATION</b></p> <ul style="list-style-type: none"> <li>● Single element water heater.</li> <li>● Double element water heater, non-simultaneous three phase operation.</li> <li>● Double element water heater, simultaneous operation.</li> </ul>  <p>59T66T</p> <p>415-50691-00</p>
<p><b>BOTTOM LOCATION</b></p> <ul style="list-style-type: none"> <li>● Double element water heater, non-simultaneous single phase operation</li> </ul>  <p>59T</p> <p>415-51046-00</p>



Item	Description	Model	Model
		RE230L	RE240L
1	T&P Relief Valve	415-40594-02	415-40594-02
2	Heat Trap Insert (Inlet)	415-51556-00	415-51556-00
3	Heat Trap Insert (Outlet)	415-45167-00	415-45167-00
4	Hot Water Outlet Anode (Magnesium) ♦#	415-55482-00	415-55482-00
	Hot Water Outlet Anode (Aluminum) ♦#	415-55484-00	415-55484-00
	Hot Water Outlet Anode (A420 Aluminum) ♦#	415-55486-00	415-55486-00
5	Cover Conduit/Ground w/ Ground Screw	239-55386-00	239-55386-00
6	Cover Junction Box	243-39452-00	243-39452-00
7	Cold Water Inlet Tube Pex ♦♦	229-51718-04	229-51415-27
8	Upper Thermostat with High Limit (59T66) w/ Protector ▲■	415-51046-00	415-51046-00
	Lower Thermostat (59T) w/ Protector ▲■	415-51046-00	415-51046-00
	Lower Thermostat with High Limit (59T66) ▲	415-50691-00	415-50691-00
9	Heating Element 240V 4500W w/ Gasket μ (qty 2)	415-48642-00	415-48642-00
10	Thermostat Mounting Bracket	415-50689-00	415-50689-00
11	Access Cover	243-36618-02	243-36618-02
12	Drain Valve	415-51684-01	415-51684-01
13	ASSE Approved Mixing Valve	239-51778-00	239-51778-00
14	Kit-Heat Trap Insert (PEX)	265-51572-00	265-51572-00
15	Blanket Kit	---	239-54891-00
16	Insulation Kit	239-48949-00	239-48949-00

♦ Order with item 2.

♦♦ Order with item 6.

▲ Thermostat protector provided with thermostat. The thermostat mounting bracket is also provided with the thermostat.

μ For other voltage and wattage combinations, refer to heating elements on page 10 & 11

■ Upper and lower thermostats are packaged together.

# Anode may need to be cut to length, please see page 12 for reference chart of anode length by model.

**TOP LOCATION**

- RE250L(N) & RE255T water heater, non-simultaneous single phase and three phase operation.

59T66T

415-54052-00

**TOP LOCATION**

- Double element water heater, non-simultaneous single phase and three phase operation.

59T66T

415-51046-00

**TOP LOCATION**

- Double element water heater, simultaneous operation.

**BOTTOM LOCATION**

- Single element water heater.
- Double element water heater, non-simultaneous three phase operation.
- Double element water heater, simultaneous operation.

59T66T

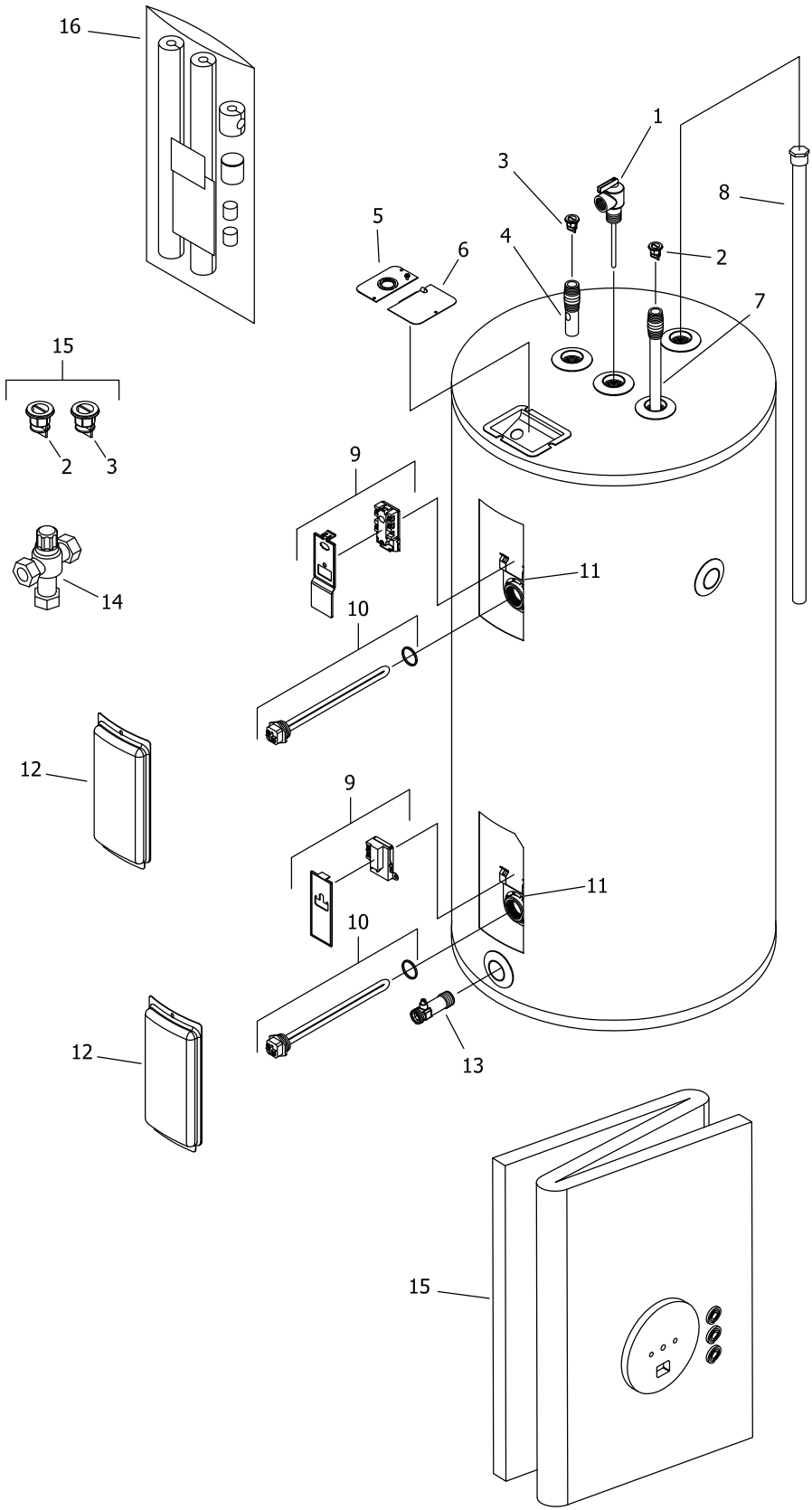
415-50691-00

**BOTTOM LOCATION**

- Double element water heater, non-simultaneous single phase operation

59T

415-51046-00





Item	Description	Model RE130L	Model RE230LN	Model RE240LN	Model RE250L(N)	Model RE255T
1	T&P Relief Valve	415-40594-02	415-40594-02	415-40594-02	415-40594-02	415-40594-04
2	Heat Trap Insert (Inlet)	415-51556-00	415-51556-00	415-51556-00	415-51556-00	415-51556-00
3	Heat Trap Insert (Outlet)	415-51556-00	415-51556-00	415-51556-00	415-51556-00	415-45167-00
4	Hot Water Outlet Device ♦	229-51995-00	229-51995-00	229-51858-00	229-51858-00	229-50053-06
5	Cover Conduit/Ground w/ Ground Screw	239-55386-00	239-55386-00	239-55386-00	239-55386-00	239-55386-00
6	Cover Junction Box	243-39452-00	243-39452-00	243-39452-00	243-39452-00	243-39452-00
7	Cold Water Inlet Tube PEX ♦	229-51718-03	229-51718-03	229-52007-01	229-51718-02	229-51718-05
8	Hex head Sacrificial Anode (Magnesium) #	415-55483-00	415-55483-00	415-55483-00	415-55483-00	415-55483-00
	Hex head Sacrificial Anode (Aluminum) #	415-55485-00	415-55485-00	415-55485-00	415-55485-00	415-55485-00
	Hex head Sacrificial Anode (A420 Aluminum) #	415-55487-00	415-55487-00	415-55487-00	415-55487-00	415-55487-00
9	Upper Thermostat with High Limit (59T66) & Protector ▲■	415-51046-00	415-51046-00	415-51046-00	415-54052-00	415-54052-00
	Lower Thermostat (59T) w/ Protector ▲■	415-51046-00	415-51046-00	415-51046-00	415-54052-00	415-54052-00
	Lower Thermostat with High Limit (59T66) ▲	415-50691-00	415-50691-00	415-50691-00	415-50691-00	415-50691-00
10	Heating Element 240V 4500W w/ Gasket μ (qty 2)	415-42544-08	415-48642-00	415-48642-00	415-48642-00	415-48642-00
11	Thermostat Mounting Bracket	415-50689-00	415-50689-00	415-50689-00	415-50689-00	415-50689-00
12	Access Cover	243-36618-02	243-36618-02	243-36618-02	243-36618-02	243-36618-02
13	Brass Drain Valve	415-42351-02	415-51684-02	415-51684-02	415-51684-01	415-51684-02
14	ASSE Approved Mixing Valve	239-51778-00	239-51778-00	239-51778-00	239-51778-00	239-51778-00
15	Kit-Heat Trap Insert (PEX)	265-51875-00	265-51875-00	265-51875-00	265-51875-00	265-51572-00
16	Blanket Kit	239-50210-06	---	---	---	---
17	Insulation Kit	239-48949-00	239-48949-00	239-48949-00	239-48949-00	---

♦ Order with item 2.

▲ Thermostat protector provided with thermostat. The thermostat mounting bracket is also provided with the thermostat.

μ For other voltage and wattage combinations, refer to heating elements on page 10 & 11

■ Upper and lower thermostats are packaged together.

# Anode may need to be cut to length, please see page 12 for reference chart of anode length by model.

**Heating Elements (Copper) for:  
Residential Series (RE)  
Light Duty (LE) Commercial Series  
Medium Duty (E32) Commercial Series  
Commercial (MII) Series**

Wattage	120 Volt	208 Volt	240 Volt	277 Volt	380 Volt
1000W ▲	415-42540-01	415-42544-01	415-42546-01	N/A	N/A
1250W ▲	N/A	N/A	415-42544-13	N/A	N/A
1500W ▲	415-42540-02	415-42544-03	415-42544-01	N/A	N/A
1500W (LWD) ▲	415-42540-03	N/A	415-42544-02	N/A	N/A
2000W ▲	415-42540-04	415-42544-04	415-42544-03	N/A	N/A
2500W ▲	415-42540-05	415-42544-06	415-42544-04	N/A	N/A
3000W ▲	415-42540-07	415-42544-14	415-42544-05	N/A	N/A
3500W ▲▲	N/A	415-42544-08	415-42544-06	N/A	N/A
3800W ▲▲	N/A	N/A	415-42546-10	N/A	N/A
4000W ▲▲	N/A	415-42544-16	415-42544-14	N/A	N/A
4500W ▲▲	N/A	415-42544-12	415-42544-08	N/A	N/A
4500W (LWD) ▲▲	N/A	N/A	415-51333-09	N/A	N/A
5000W ▲▲	N/A	N/A	415-42544-10	N/A	N/A
5500W ▲▲	N/A	N/A	415-42544-16	N/A	N/A
6000W ▲▲	N/A	N/A	415-42544-12	N/A	N/A
Element gasket ^	223-34019-00	223-34019-00	223-34019-00	223-34019-00	223-34019-00
Element plug	223-34020-00	223-34020-00	223-34020-00	223-34020-00	223-34020-00

(LWD) = Low Watt Density

- ▲ For 12" Diameter tanks and above.
- ▲▲ For 14" Diameter tanks and above.
- \* For 16" Diameter tanks and above.
- \*\* For 18" Diameter tanks and above.
- ^ Element gaskets included with elements.

**Heating Elements (Incoloy) for:  
Residential Series (RE)  
Light Duty (LE) Commercial Series  
Medium Duty (E32) Commercial Series  
Commercial (MII) Series**

Wattage	120 Volt	208 Volt	240 Volt	277 Volt	380 Volt
1000W ▲	N/A	415-42545-13	415-42547-10	N/A	N/A
1250W ▲	N/A	N/A	N/A	N/A	N/A
1500W ▲	415-42541-02	415-42545-02	415-42545-13	415-42547-10	415-42551-12
1500W (LWD) ▲	N/A	N/A	N/A	N/A	N/A
2000W ▲	N/A	415-42545-14	415-42545-02	415-42547-07	415-42549-04
2500W ▲	N/A	415-42545-11	415-42545-14	415-42547-11	415-42551-13
3000W ▲	N/A	415-42545-12	415-42545-15	415-42547-08	415-42551-10
3500W ▲▲	N/A	415-51328-07	415-42545-11	N/A	415-42551-14
3800W ▲▲	N/A	N/A	415-42547-15	N/A	N/A
4000W ▲▲	N/A	415-42545-17	415-42545-12	415-42547-03	415-42551-16
4500W ▲▲	N/A	415-42545-19	415-51328-07	415-42547-12	415-42551-17
4500W (LWD) ▲▲	N/A	N/A	N/A	N/A	N/A
5000W ▲▲	N/A	415-42543-04	415-42545-18	415-42547-15	415-42553-11
5500W ▲▲	N/A	415-42543-05	415-42545-17	415-42547-13	415-42549-06
6000W ▲▲	N/A	415-42543-06	415-42545-19	415-42547-14	415-42549-05
Element gasket ^	223-34019-00	223-34019-00	223-34019-00	223-34019-00	223-34019-00
Element plug	223-34020-00	223-34020-00	223-34020-00	223-34020-00	223-34020-00

(LWD) = Low Watt Density

Element wrench \*\*\* 415-35897-12

Adapt-a-flange kit \*\*\* 265-36968-12

\*\*\* For use with residential. LD. E32. and MII series heating elements only. Not for use with commercial "A" series heating elements.

▲ For 12" Diameter tanks and above.

▲▲ For 14" Diameter tanks and above.

\* For 16" Diameter tanks and above.

\*\* For 18" Diameter tanks and above.

^ Element gaskets included with elements.



## United States

---

**Sales** 1-800-523-2931  
**Technical Support** 1-800-334-3393  
**Email** [techsupport@bradfordwhite.com](mailto:techsupport@bradfordwhite.com)  
**Warranty** 1-800-531-2111  
**Email** [warranty@bradfordwhite.com](mailto:warranty@bradfordwhite.com)  
**Service Parts** 1-800-538-2020  
**Email** [parts@bradfordwhite.com](mailto:parts@bradfordwhite.com)

## Canada

---

**Sales** 1-866-690-0961 1-905-203-0600  
**Fax** 905-636-0666  
**Warranty** 1-800-531-2111  
**Email** [warranty@bradfordwhite.com](mailto:warranty@bradfordwhite.com)  
**Technical Support** 1-800-334-3393  
**Email** [techsupport@bradfordwhite.com](mailto:techsupport@bradfordwhite.com)  
**Service Parts and Orders** [ca.orders@bradfordwhite.com](mailto:ca.orders@bradfordwhite.com)

For U.S. and Canada field service, contact your professional installer or local Bradford White sales representative.

## International

---

**General Contact** [international@bradfordwhite.com](mailto:international@bradfordwhite.com)