



RESIDENTIAL CONDENSING PARTS LIST

Power Direct Vent Water Heater



(L,R)C2PDV50H*(N,X)
(*)Denotes Warranty Years

Includes Hydrojet®
Total Performance System

Effective: October, 2024
ECO 8780

**NOTE: BOTH MODEL AND
SERIAL NUMBERS ARE
REQUIRED FOR ORDERING
REPLACEMENTS PARTS.**

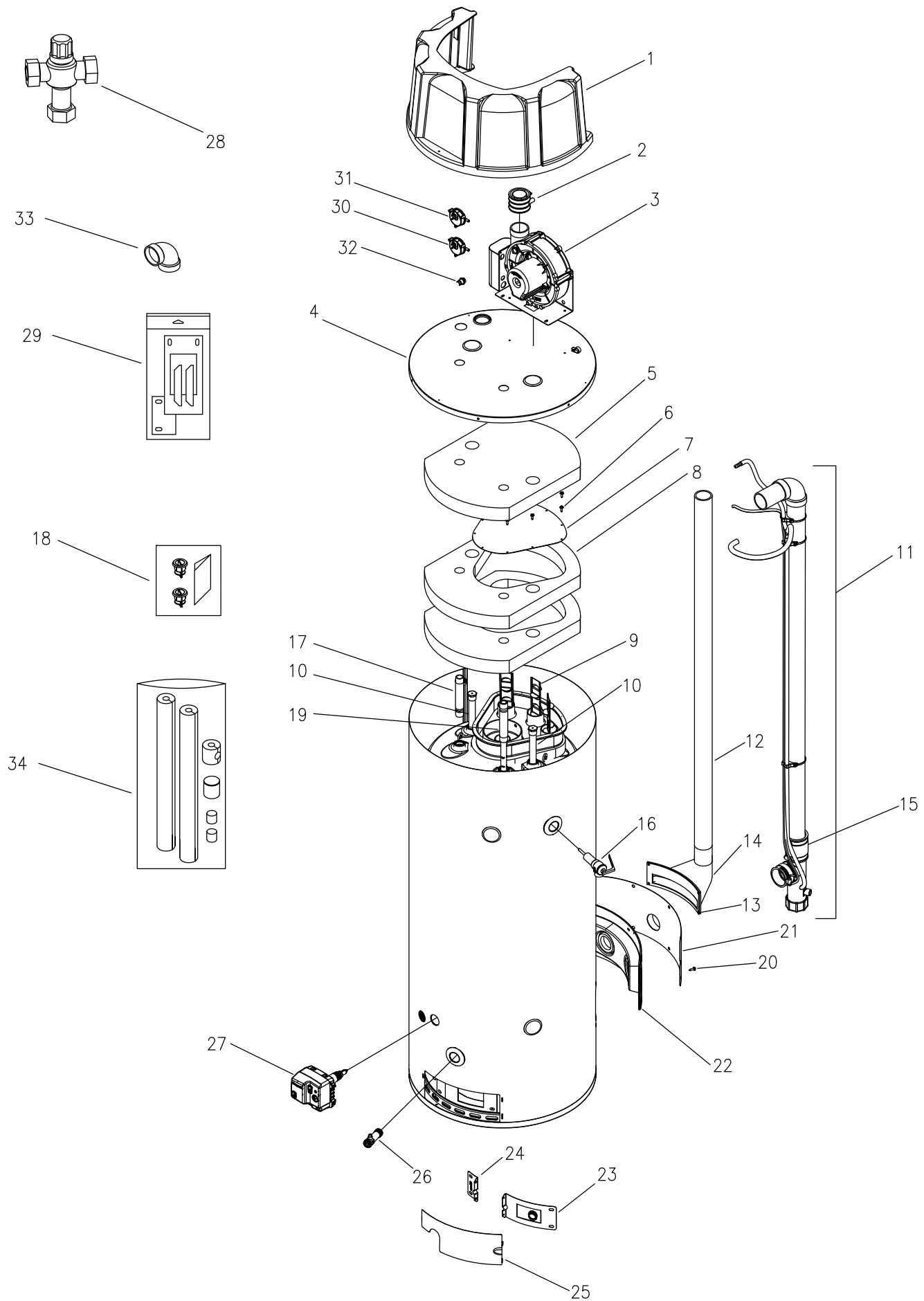
Dimensions and specification subject to
change without notice.



WARNING

CANCER AND REPRODUCTIVE HARM
WWW.P65WARNINGS.CA.GOV

As required by the state of California Proposition 65.

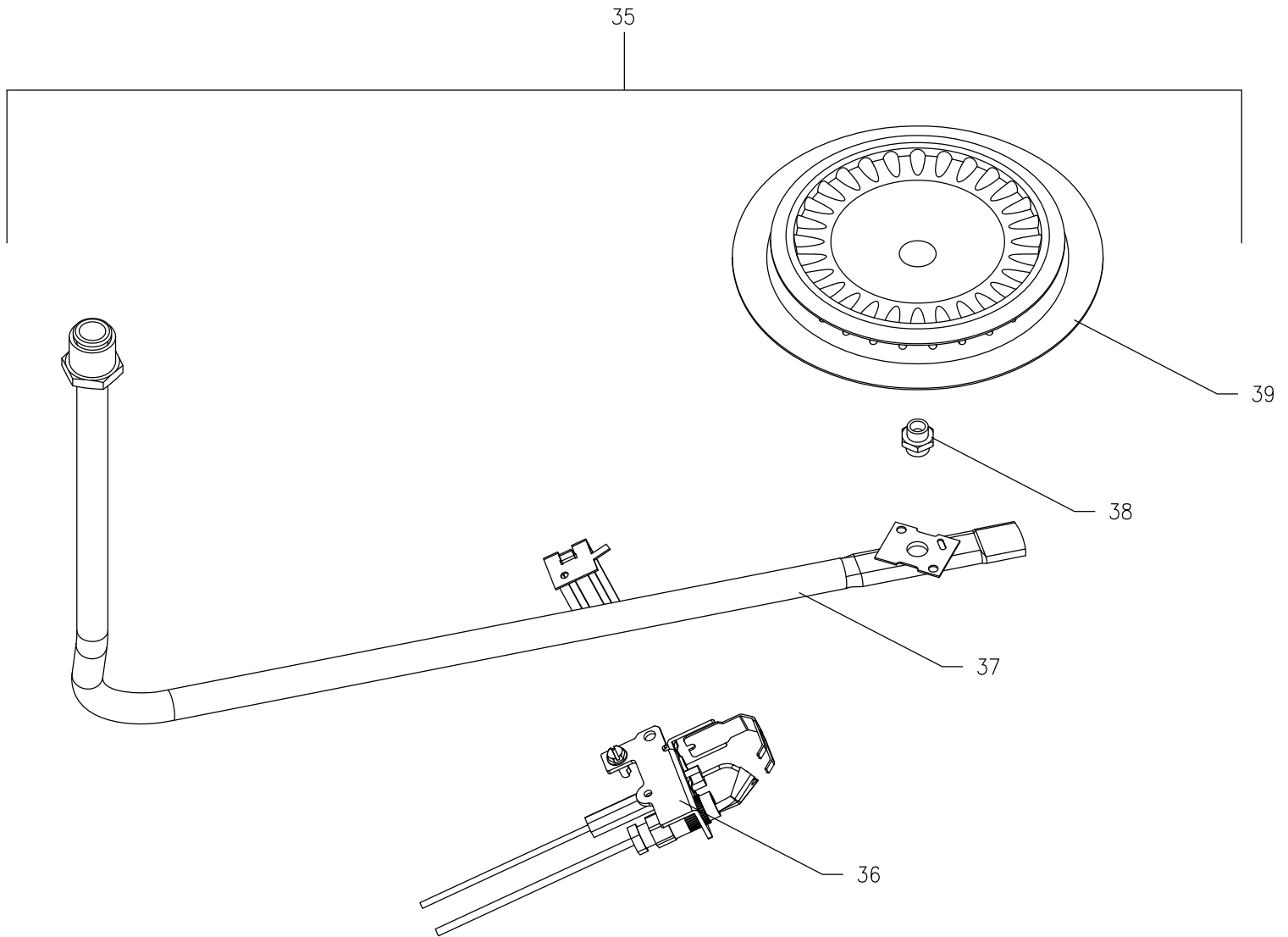


Item	Description	Model	Model	Model	Model
		RC2PDV50H*N	LC2PDV50H76*N	RC2PDV50H*X	LC2PDV50H76*X
1	Surround	239-50864-00	239-50864-00	239-50864-00	239-50864-00
2	2" Exhaust Adapter	239-50874-00	239-50874-00	239-50874-00	239-50874-00
3	Blower w/ 2" Exhaust Adapter	415-53185-00	415-53185-00	415-53185-00	415-53185-00
4	Jacket Head	239-50847-00	239-50847-00	239-50847-00	239-50847-00
5	Jacket Head Insulation	226-50839-00	226-50839-00	226-50839-00	226-50839-00
6	Screw #8-18 x 1/2 (QTY 10)	239-32761-00	239-32761-00	239-32761-00	239-32761-00
7	Flue Collector Assembly	239-50849-00	239-50849-00	239-50849-00	239-50849-00
8	Collector Insulation (QTY 2)	226-50841-00	226-50841-00	226-50841-00	226-50841-00
9	Flue Baffle	239-50826-00	239-50826-00	239-50826-00	239-50826-00
10	Hex Head Anode (A420 Aluminum) (QTY 2) #	415-55487-00	415-55487-00	415-55487-00	415-55487-00
11	Vent Pipe & Condensate Trap Assembly	239-54723-00	239-54723-00	239-54723-00	239-54723-00
12	Intake Pipe Assembly	239-53268-00	239-53268-00	239-53268-00	239-53268-00
13	Air Intake Boot Gasket	w/ Intake Boot	w/ Intake Boot	w/ Intake Boot	w/ Intake Boot
14	Air Intake Boot	239-47514-20	239-47514-20	239-47514-20	239-47514-20
15	Coupling-2 X 2	239-47850-00	239-47850-00	239-47850-00	239-47850-00
16	T&P Relief Valve	415-40594-02	415-40594-02	415-40594-02	415-40594-02
17	Hot Water Outlet Nipple	229-32762-28	229-32762-28	229-32762-28	229-32762-28
18	Kit Heat Trap Insert (QTY 2)	265-45420-00	265-45420-00	265-45420-00	265-45420-00
19	Cold Water Inlet Diptube	229-53466-03	229-45092-11	229-53466-03	229-45092-11
20	Screw (QTY 8)	239-51224-00	239-51224-00	239-51224-00	239-51224-00
21	Exhaust Cover	239-51632-00	239-51632-00	239-51632-00	239-51632-00
22	Exhaust Collector Gasket	239-50854-00	239-50854-00	239-50854-00	239-50854-00
23	Right Side Inner Door*	239-45642-20	239-45642-20	239-45642-20	239-45642-20
24	Left Side Inner Door*	239-43968-20	239-43968-20	239-43968-20	239-43968-20
25	Outer Door	243-43962-00	243-43962-00	243-43962-00	243-43962-00
26	Brass Drain Valve	415-42351-02	415-42351-02	415-42351-02	415-42351-02
27	Gas Valve	415-48795-02	415-48795-04	415-48796-02	415-48796-04
28	ASSE Approved Mixing Valve (Optional)	239-51778-00	239-51778-00	239-51778-00	239-51778-00
29	Inner Door Gasket Kit	265-51742-00	265-51742-00	265-51742-00	265-51742-00
30	Pressure Switch (-2.15" W.C. ±0.08)	415-53204-00	415-53204-00	415-53204-00	415-53204-00
31	Pressure Switch (-0.80" W.C. ±0.05)	415-53396-00	415-53396-00	415-53396-00	415-53396-00
32	Blower Temperature Switch	415-48752-00	415-48752-00	415-48752-00	415-48752-00
33	2" Vent Elbow	239-51794-00	239-51794-00	239-51794-00	239-51794-00
34	Kit-Insulation	239-48949-00	239-48949-00	239-48949-00	239-48949-00

*Inner door gasket kit recommended

Order the specific component required for the quickest delivery.

#Anode may need to be cut to length, please see page 6 reference chart of anode length by model.



Item	Description	Model	Model	Model	Model
		RC2PDV50H*N	LC2PDV50H76*N	RC2PDV50H*X	LC2PDV50H76*X
35	Burner Assembly**	265-47784-03-21	265-47784-03-21	265-47376-02-40	265-47376-02-40
36	Pilot*	233-45653-02	233-45653-02	233-45653-04	233-45653-04
37	Feedline*	233-47374-03	233-47374-03	233-47672-04	233-47672-04
38	Orifice*	234-41034-21	234-41034-21	234-47064-40	234-47064-40
39	Burner*	228-42506-00	228-42506-00	228-47000-00	228-47000-00

*Inner door gasket kit recommended

**Ordering a complete burner assembly may increase delivery time.

#Anode may need to be cut to length, please see page 6 reference chart of anode length by model.



United States

Sales 1-800-523-2931
Technical Support 1-800-334-3393
Email techsupport@bradfordwhite.com
Warranty 1-800-531-2111
Email warranty@bradfordwhite.com
Service Parts 1-800-538-2020
Email parts@bradfordwhite.com

Canada

Sales 1-866-690-0961 1-905-203-0600
Fax 905-636-0666
Warranty 1-800-531-2111
Email warranty@bradfordwhite.com
Technical Support 1-800-334-3393
Email techsupport@bradfordwhite.com
Service Parts and Orders ca.orders@bradfordwhite.com

For U.S. and Canada field service, contact your professional installer or local Bradford White sales representative.

International

General Contact international@bradfordwhite.com