



BRADFORD WHITE[®]
W A T E R H E A T E R S

**CANADIAN LIGHT DUTY COMMERCIAL GAS
REPLACEMENT PARTS LIST
DEFENDER Safety System™
“RG” & “LG” Series**



Models Covered:
RG2(50,55,75,100)H*(N,X)
LG2(50,55,75,100)H*(N,X)
RG155H*(N,X)
LG155H*(N,X)

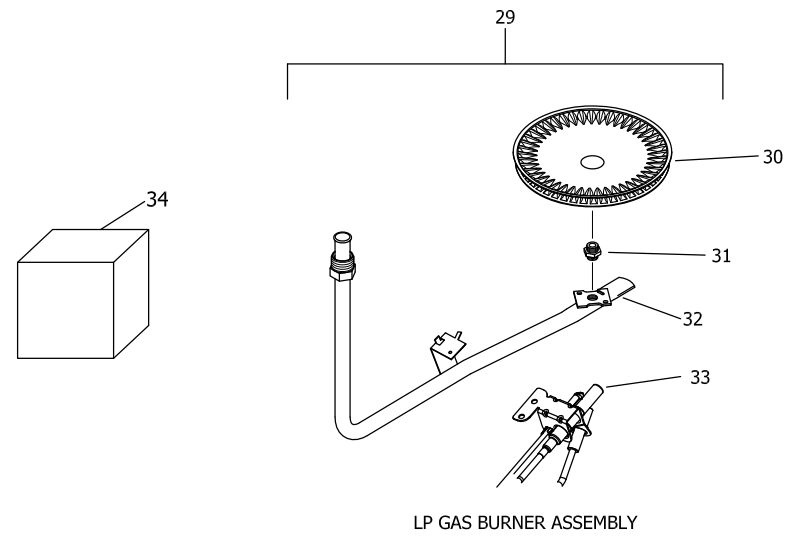
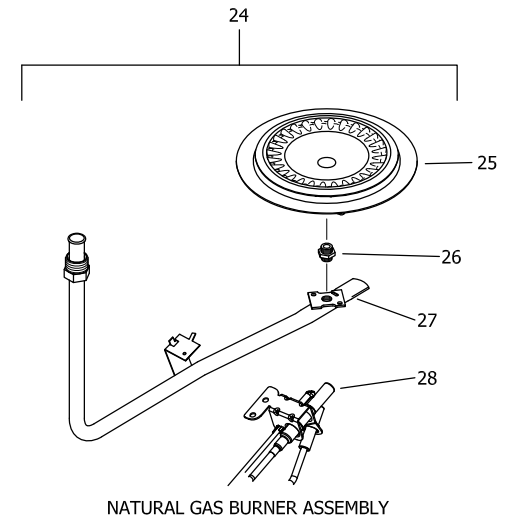
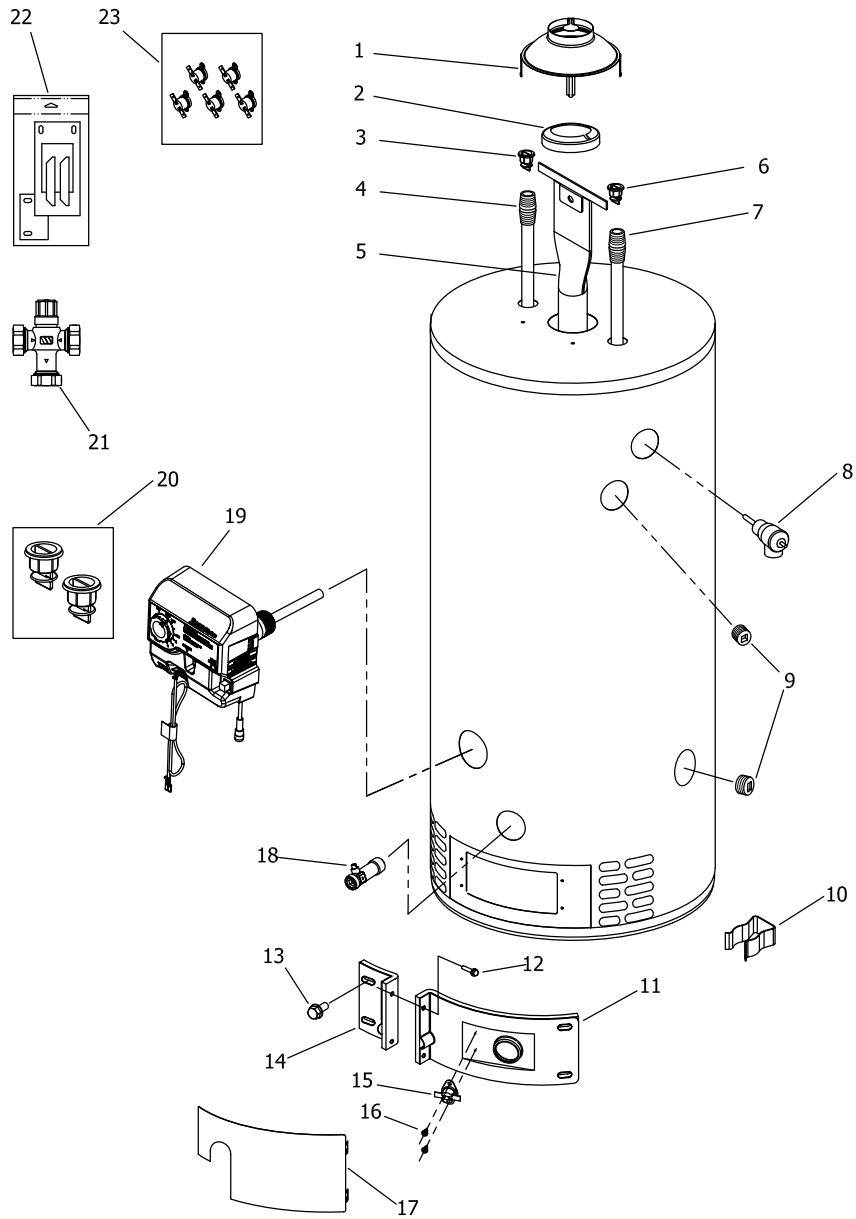
***Effective: October, 2025
ECO 8907***

**NOTE: BOTH MODEL AND SERIAL
NUMBERS ARE REQUIRED FOR
ORDERING REPLACEMENT PARTS**

Dimensions and specifications
subject to change without notice.

WARNING
CANCER AND REPRODUCTIVE HARM
WWW.P65WARNINGS.CA.GOV

As required by the state of California Proposition 65.



Item	Description	Model	Model
		RG250H*(N,X)	LG250H65*(N,X)
1	Draft Diverter	239-33081-02-20-15	239-33081-02-20-15
2	Flue Reducer	221-42572-00	221-42572-00
3	Heat Trap Insert (Outlet)	415-45167-00	415-45167-00
4	Hot Water Outlet Anode (Magnesium)▲#	415-55482-00	415-55482-00
	Hot Water Outlet (Aluminum)▲#	415-55484-00	415-55484-00
	Hot Water Outlet (A420 Aluminum)▲#	415-55486-00	415-55486-00
5	Flue Core	239-51837-00	239-50666-00
6	Heat Trap Insert (Inlet)	415-45167-00	415-51556-00
7	Cold Water Inlet Dip Tube (PEX)▲▲	415-45092-06	415-51230-29
8	T&P Relief Valve	415-40594-02	415-40594-02
9	3/4 NPT Pipe Plug	239-11638-00	239-11638-00
10	Feedline Clip	239-47475-00	239-47475-00
11	Right Side Inner Door Complete	239-43963-07	239-43963-07
12	Screw-#8-15 x 3/4 INHXWS	239-44195-00	239-44195-00
13	Screw-#10-12 x 3/4 HWH	239-44113-00	239-44113-00
14	Left Side Inner Door Complete	239-43968-01	239-43968-01
15	Resettable Thermal Switch	415-43676-02	415-43676-02
16	Screw-#6-20 x 3/8 PHCR	239-43967-00	239-43967-00
17	Outer Door	239-43962-00	239-43962-00
18	Brass Drain Valve	415-42351-02	415-42351-02
19	Gas Control Direct Replacement (Nat. Gas)	415-52944-02	415-53011-02
	Gas Control Direct Replacement (LP Gas)	415-52945-02	415-53014-02
20	Kit-Heat Trap Insert	265-45420-00	265-51572-00
21	ASSE Approved Mixing Valve (Optional)	239-51778-00	239-51778-00
22	Inner Door Gasket Kit	239-44078-00	239-44078-00
23	Resettable Thermal Switch Kit (5 pcs.)	415-48643-02	415-48643-02
Natural Gas Burner Assembly			
24	Nat Gas Burner Assembly Complete*** **	265-53623-04-27	265-53623-04-27
25	Nat. Gas Burner**	228-42506-00	228-42506-00
26	Nat. Gas Main Burner Orifice** (0 Ft. to 2,000 Ft.)	234-41034-27	234-41034-27
	Nat. Gas High Altitude Orifice 0 Ft. to 7000 Ft. (-475 model suffixes) **	234-41034-30	234-41034-30
	Nat. Gas High Altitude Kit 7,001 Ft. to 10,000 Ft.	265-51311-02-31	265-51311-02-31
27	Feedline	233-48094-04	233-48094-04
28	Nat. Gas Pilot Assembly**	415-52946-05	415-52946-05
LP Gas Burner Assembly			
29	LP Gas Burner Assembly Complete*** **	265-53637-03-43	265-53637-03-43
30	LP Gas Burner**	228-47000-00	228-47000-00
31	LP Gas Main Burner Orifice**	234-47064-43	234-47064-43
	LP Gas High Altitude Orifice 0 Ft. to 7,000 Ft. (-475 model suffixes) **	234-47064-46	234-47064-46
	LP Gas High Altitude Orifice 7,001 Ft. to 10,000 Ft.**	265-51367-02-48	265-51367-02-48
32	Feedline	233-47108-04	233-47108-04
33	LP Gas Pilot Assembly**	415-52947-05	415-52947-05
34	LP to Nat. Gas Conversion Kit	265-53621-50	265-53621-54
	LP to Nat. Gas High Altitude Conversion Kit (-475 model suffixes)	265-53621-81	265-53621-83

*Applies to all warranties

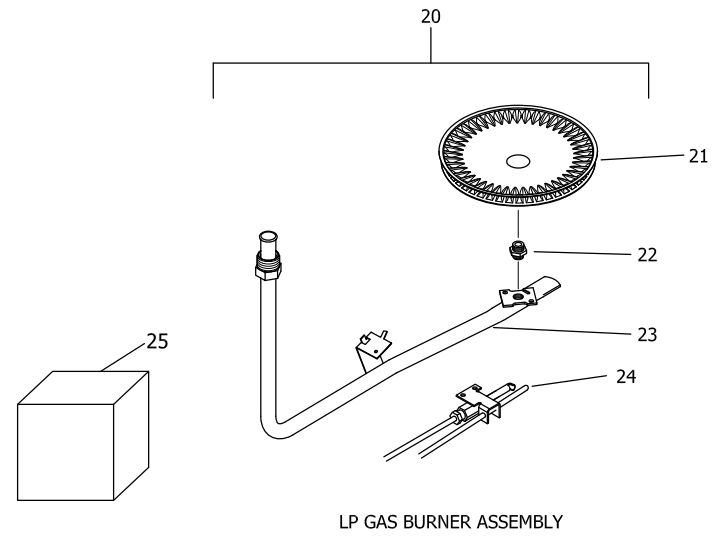
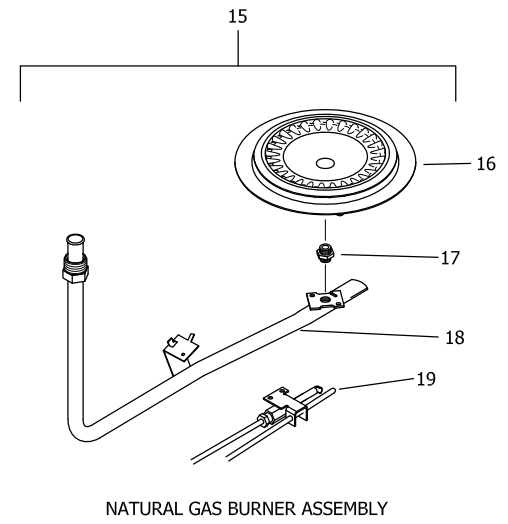
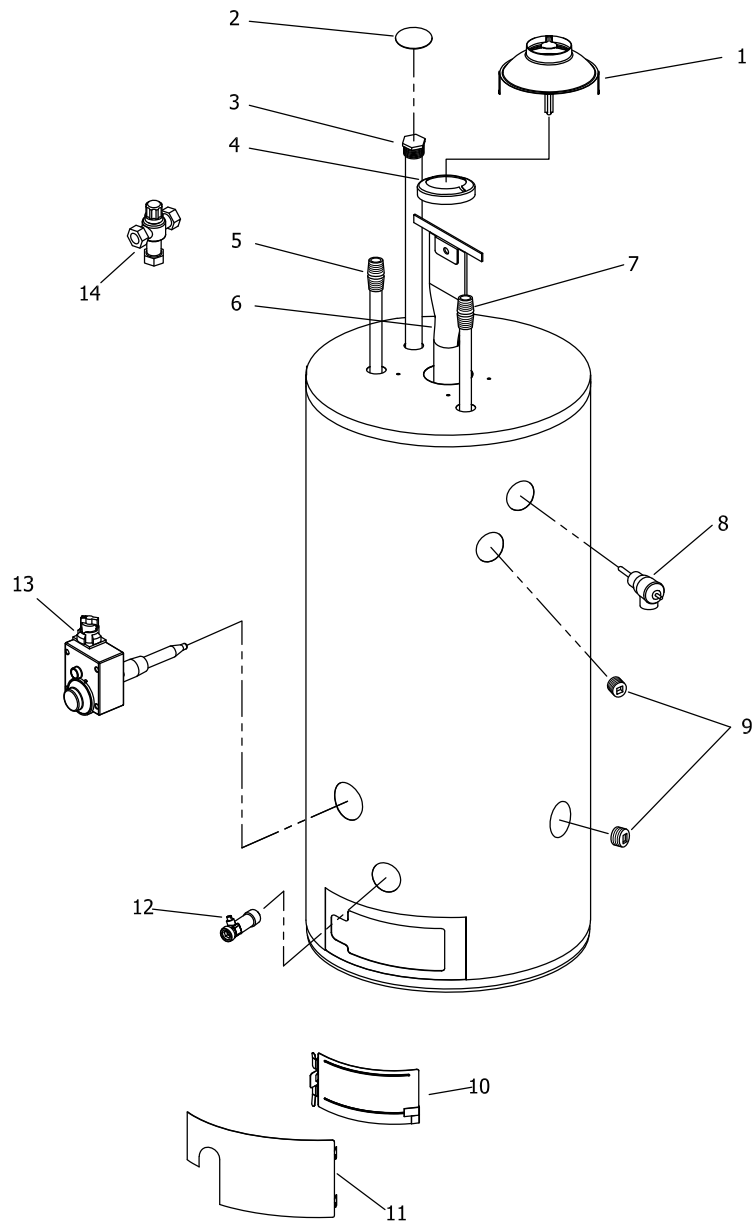
**Inner door gasket kit recommended

***Ordering a complete burner assembly may increase delivery time.
Please order the specific component required for the quickest delivery.

#Anode may need to be cut to length

▲ Order with item 3

▲▲ Order with item 6



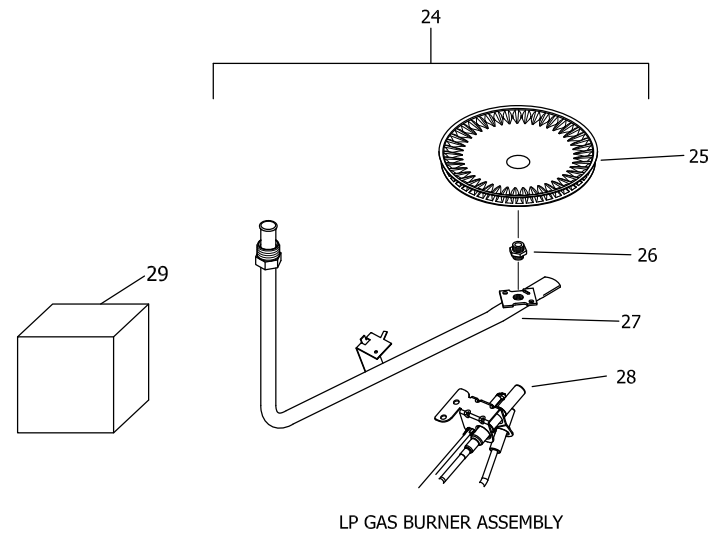
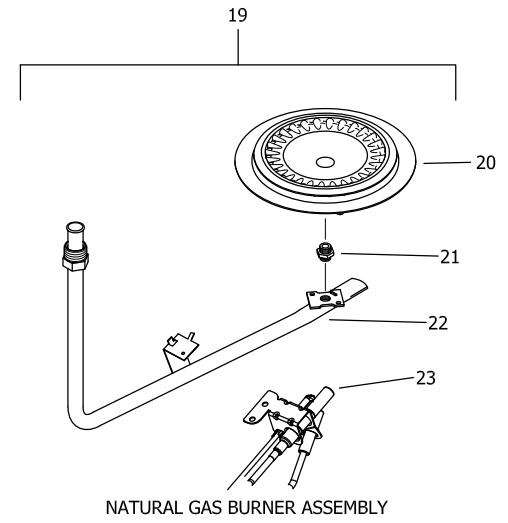
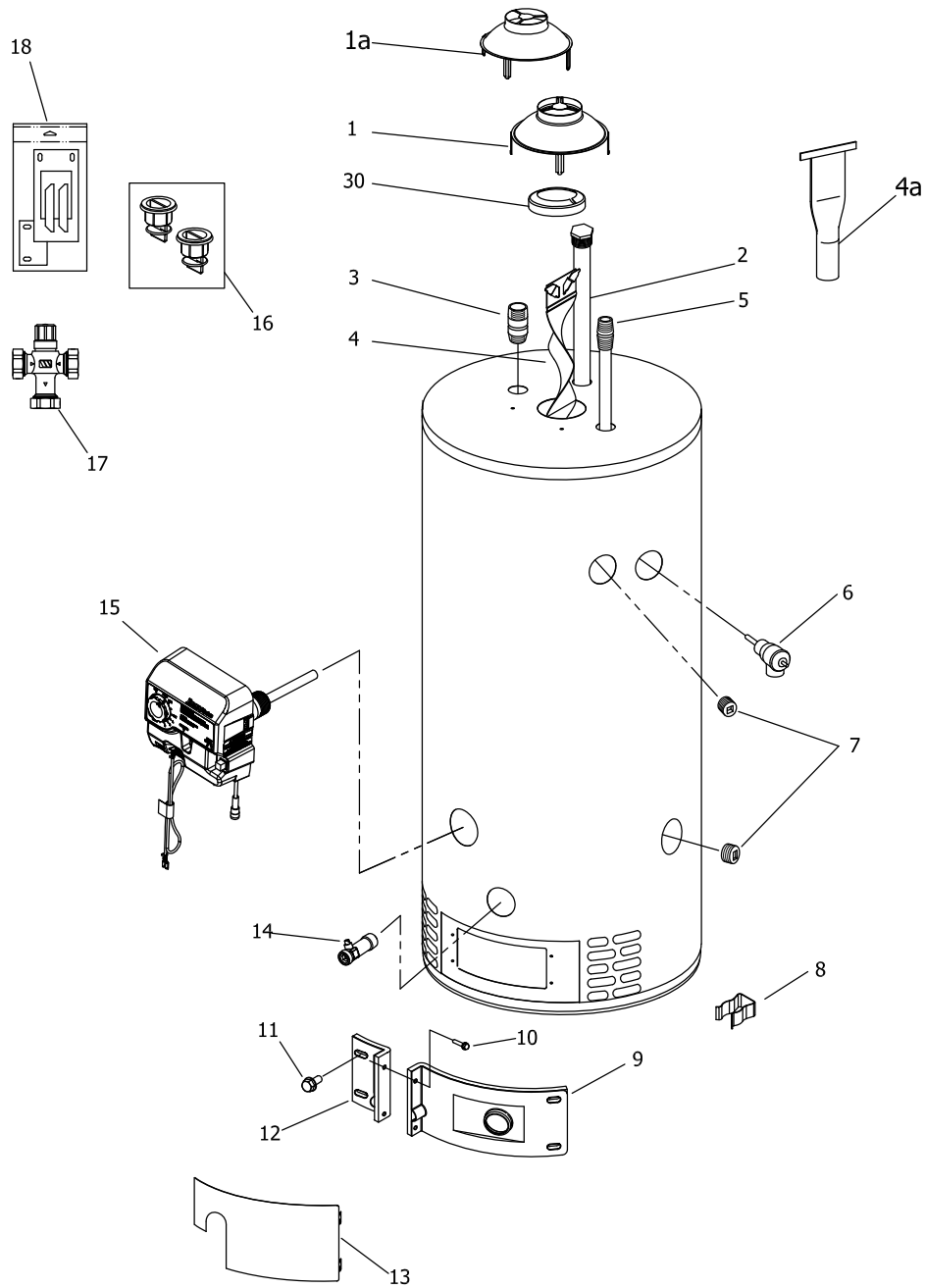
Item	Description	Model	Model
		RG155H*(N,X)	LG155H80*(N,X)
1	Draft Diverter	239-33081-02-20-15	239-33081-02-20-15
2	Hole Closure	239-31547-02	239-31547-02
3	Hex head Sacrificial Anode (Magnesium) #	415-55483-00	415-55483-00
	Hex head Sacrificial Anode (Aluminum) #	415-55485-00	415-55485-00
	Hex head Sacrificial Anode (A420 Aluminum) #	415-55487-00	415-55487-00
4	Flue Reducer	221-42572-00	221-42572-00
5	Hot Water Outlet Anode (Magnesium) #	415-55482-00	415-55482-00
	Hot Water Outlet Anode (Aluminum) #	415-55484-00	415-55484-00
	Hot Water Outlet Anode (A420 Aluminum) #	415-55486-00	415-55486-00
6	Flue Core	239-45676-00	239-45676-00
7	Cold Water Inlet Dip Tube (Polysulfone)	415-45092-02	415-45092-02
8	T&P Relief Valve	415-40594-02	415-40594-02
9	3/4 NPT Pipe Plug	239-11638-00	239-11638-00
10	Inner Door Assembly	243-46049-00	243-46049-00
11	Outer Door	221-41061-00	221-41061-00
12	Brass Drain Valve	415-42351-02	415-42351-02
13	Gas Control Direct Replacement (Natural Gas)	265-47444-01	265-47444-01
	Gas Control Direct Replacement (LP Gas)	265-47445-01	265-47445-01
14	ASSE Approved Mixing Valve (Optional)	239-51778-00	239-51778-00
Natural Gas Burner Assembly			
15	Nat Gas Burner Assembly Complete***	265-46004-03-20	265-46004-03-20
16	Nat. Gas Burner**	228-42506-00	228-42506-00
17	Nat. Gas Main Burner Orifice 0 Ft. to 2,000 Ft.**	234-41034-20	234-41034-20
	Nat. Gas High Altitude 0 Ft. to 7000 Ft. (-475 model suffixes)**	234-41034-26	234-41034-26
	Nat. Gas High Altitude Kit 7,001 Ft. to 10,000 Ft.	265-51311-02-29	265-51311-02-29
18	Feedline **	233-43660-15	233-43660-15
19	Nat. Gas Pilot Assembly**	233-40248-05	233-40248-05
LP Gas Burner Assembly			
20	LP Gas Burner Assembly Complete***	265-47037-03-38	265-47037-03-38
21	LP Gas Burner**	228-46938-00	228-46938-00
22	LP Gas Main Burner Orifice 0 Ft. to 2,000 Ft.**	234-47064-38	234-47064-38
	LP Gas High Altitude Orifice 0 Ft. to 7,000 Ft. (-475 model suffixes)**	234-47064-42	234-47064-42
	LP Gas High Altitude Kit 7,001 Ft. to 10,000 Ft.	265-51367-02-44	265-51367-02-44
23	Feedline**	233-46939-02	233-46939-02
24	LP Gas Pilot Assembly**	233-40261-03	233-40261-03
25	LP to Nat. Gas Conversion Kit	265-45713-04	265-45713-04
	LP to Nat. Gas High Altitude Conversion Kit	265-45713-06	265-45713-06

*Applies to all warranties

** Inner Door Gasket Kit Recommended

***Ordering a complete burner assembly may increase delivery time.
Please order the specific component required for the quickest delivery.

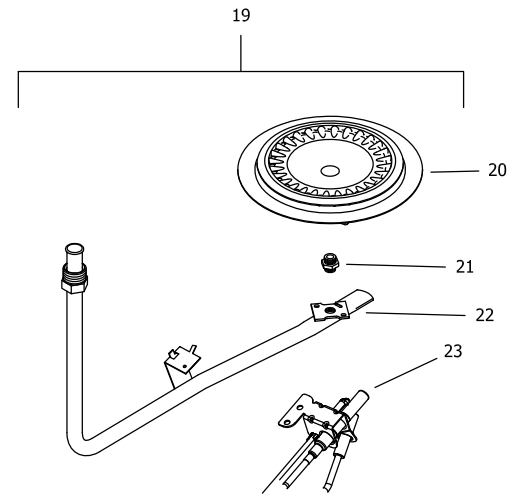
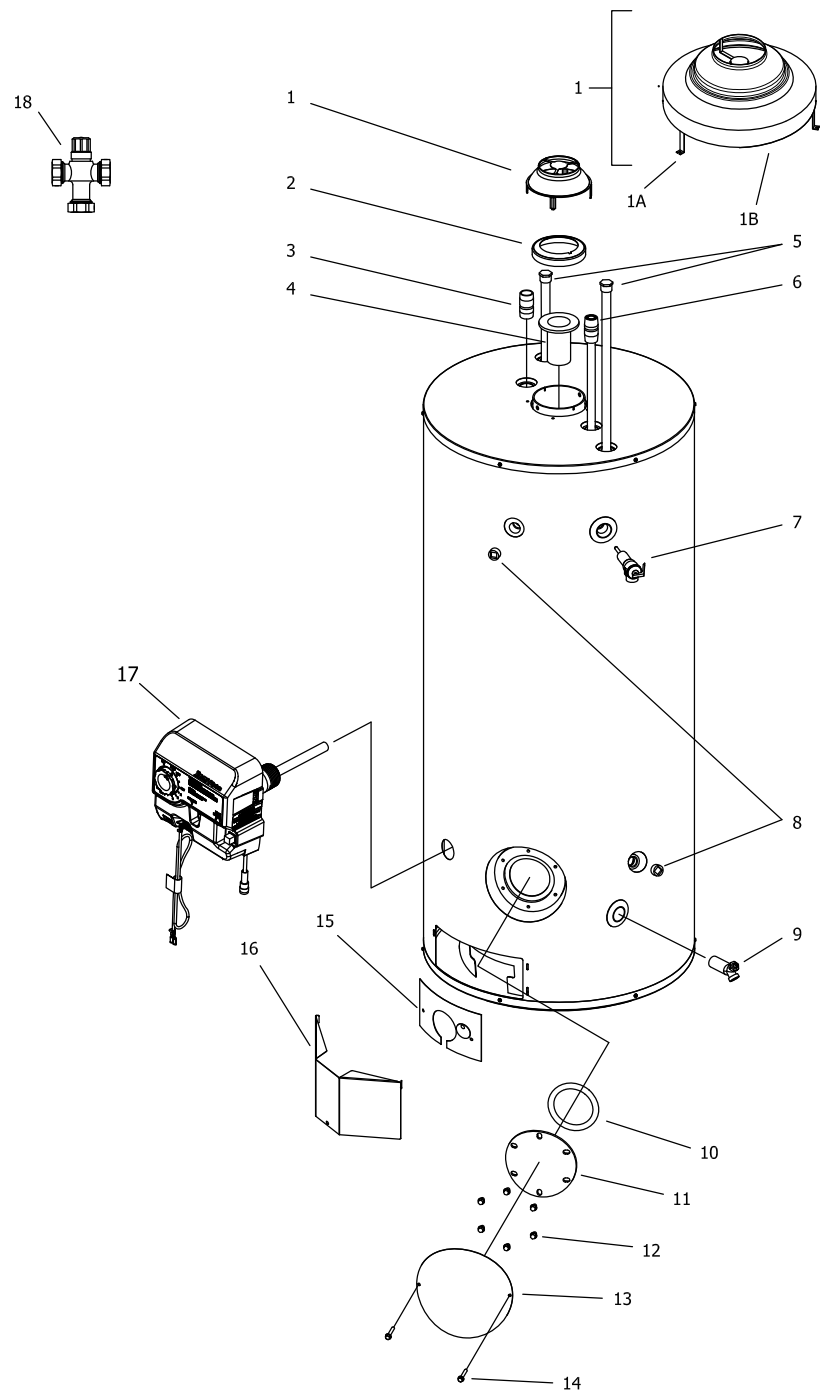
Anode may need to be cut to length



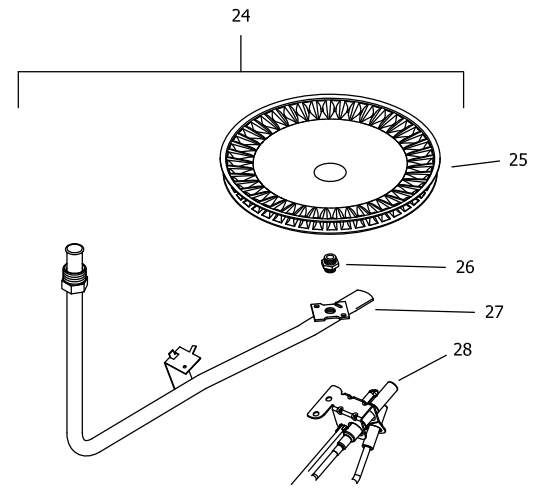
Item	Description	Model	Model
		RG275H*(N,X)	LG275H76*(N,X)
1	Draft Diverter ■	239-12950-00	239-12950-00
1a	Draft Diverter ►	243-33081-01	243-33081-01
2	Hex head Sacrificial Anode (Magnesium) #	415-55483-00	415-55483-00
	Hex head Sacrificial Anode (Aluminum) #	415-55485-00	415-55485-00
	Hex head Sacrificial Anode (A420 Aluminum) #	415-55487-00	415-55487-00
3	Outlet Nipple 1 NPT X 2 1/2"	415-50053-02	415-50053-02
4	Flue Baffle ■	243-47379-00	243-47379-00
4a	Flue Core ►	239-50666-00	239-50666-00
5	Cold Water Inlet Dip Tube (Polysulfone)	415-47040-01	415-47040-01
6	T&P Relief Valve	415-40594-02	415-40594-02
7	3/4 NPT Pipe Plug	239-11638-00	239-11638-00
8	Feedline Clip	239-47475-00	239-47475-00
9	Right Side Inner Door Complete	239-47504-22	239-47504-22
10	Screw-#8-15 x 3/4 INHXWS	239-44195-00	239-44195-00
11	Screw-#10-12 x 3/4 HWH	239-44113-00	239-44113-00
12	Left Side Inner Door Complete	239-43968-01	239-43968-01
13	Outer Door	239-43962-00	239-43962-00
14	Brass Drain Valve	415-42351-02	415-42351-02
15	Gas Control Direct Replacement (Natural Gas)	415-52944-02	415-53011-02
	Gas Control Direct Replacement (LP Gas)	415-52945-02	415-53014-02
16	Kit-Heat Trap Insert	265-51572-00	265-51572-00
17	ASSE Approved Mixing Valve (Optional)	239-51778-00	239-51778-00
18	Inner Door Gasket Kit	239-47792-00	239-47792-00
Natural Gas Burner Assembly			
19	Nat Gas Burner Assembly Complete***	265-53642-02-22	265-53642-02-22
20	Nat. Gas Burner **	228-47000-00	228-47000-00
21	Nat. Gas Main Burner Orifice 0 Ft. to 2,000 Ft.**	234-41034-22	234-41034-22
	Nat. Gas High Altitude 0 Ft. to 7000 Ft. (-475 model suffixes) **	234-41034-27	234-41034-27
	Nat. Gas High Altitude Kit 7,001 Ft. to 10,000 Ft.	265-51311-01-29	265-51311-01-29
22	Feedline **	233-48095-04	233-48095-04
23	Nat. Gas Pilot Assembly **	415-53604-01	415-53604-01
LP Gas Burner Assembly			
24	LP Gas Burner Assembly Complete***	265-53643-02-38	265-53643-02-38
25	LP Gas Burner **	228-46938-00	228-46938-00
26	LP Gas Main Burner Orifice 0 Ft. to 2,000 Ft.**	234-47064-38	234-47064-38
	LP Gas High Altitude 0 Ft. to 7,000 Ft. (-475 model suffixes) **	234-47064-42	234-47064-42
	LP Gas High Altitude Kit 7,001 Ft. to 10,000 Ft.	265-51367-03-44	265-51367-03-44
27	Feedline **	233-47677-04	233-47677-04
28	LP Gas Pilot Assembly **	415-53605-01	415-53605-01
29	LP to Nat. Gas Conversion Kit	265-53632-17	265-53632-19
	LP to Nat. Gas High Altitude Conversion Kit	265-53632-41	265-53632-44
30	Flue Reducer	221-36920-00	221-36920-00

- For serial numbers starting before "XX"
- For serial numbers starting with or after "XX"
- # Anode may need to be cut to length
- *Applies to all warranties
- ** Inner Door Gasket Kit Recommended

***Ordering a complete burner assembly may increase delivery time.
Please order the specific component required for the quickest delivery.



NATURAL GAS (BN) BURNER ASSEMBLY

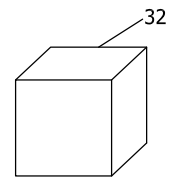
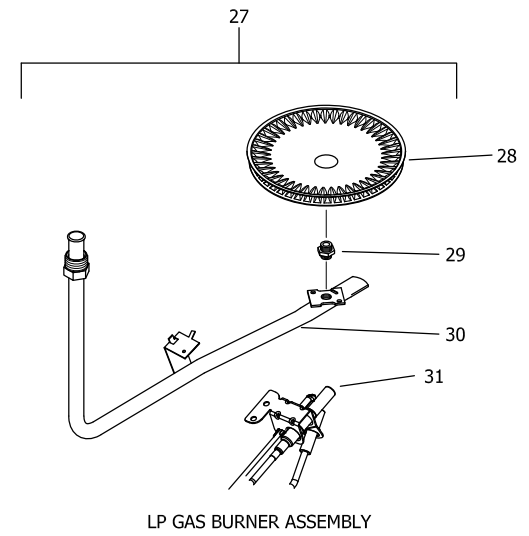
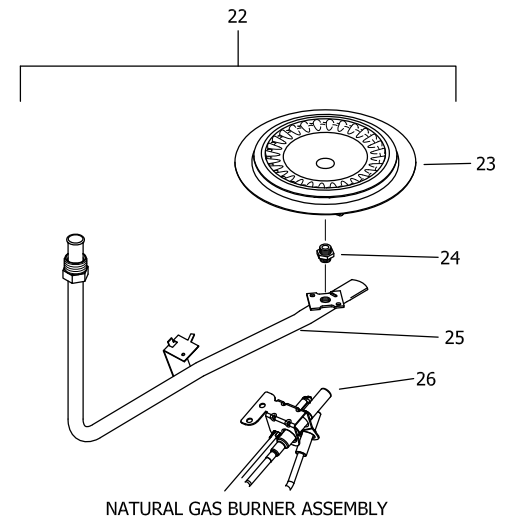
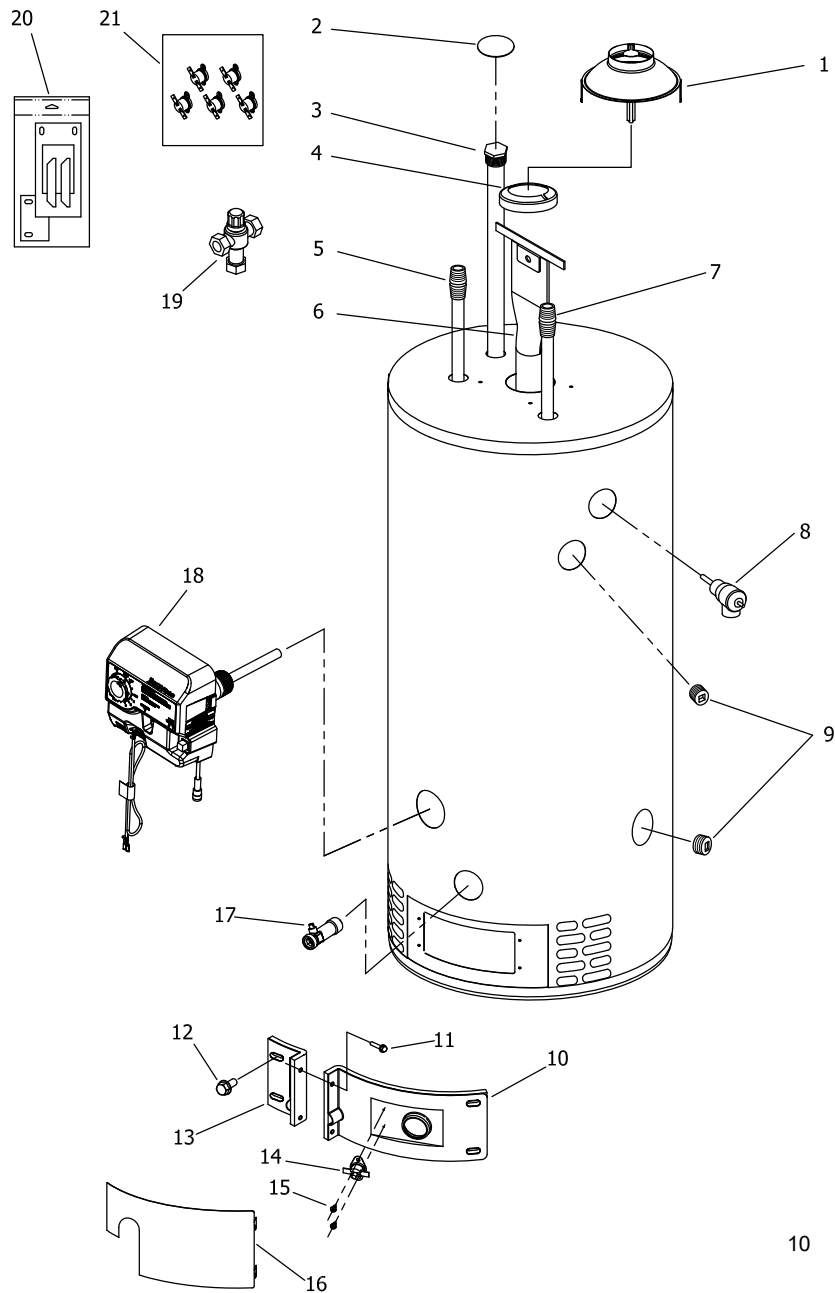


LP GAS (SX) BURNER ASSEMBLY

Item Description	Model	Model
	RG2100H*(N,X)	LG2100H*85(N,X)
1 Draft Diverter assembly kit ▶	265-52089-00	265-52089-00
1A Draft Diverter Leg Kit Only▶	243-43689-03	243-43689-03
1B Draft Diverter Only▶	265-52089-00-16	265-52089-00-16
2 Flue Reducer	221-36920-00	221-36920-00
3 Outlet Nipple	229-40913-03	229-40913-03
4 Flue Core ▶	239-52063-00	239-52063-00
5 Hex head Sacrificial Anode (x2) (Magnesium) #	415-55483-00	415-55483-00
Hex head Sacrificial Anode (x2) (Aluminum) #	415-55485-00	415-55485-00
Hex head Sacrificial Anode (x2) (A420 Aluminum) #	415-55487-00	415-55487-00
6 Cold Water Inlet Dip Tube (Polysulfone)	415-46993-01	415-46993-01
7 T&P Relief Valve	415-40594-02	415-40594-02
8 3/4 NPT Pipe Plug	239-11638-00	239-11638-00
9 Brass Drain Valve	415-42351-02	415-42351-02
10 Cleanout O-Ring Gasket	205-18427-00	205-18427-00
11 Cleanout Cover	205-18428-00	205-18428-00
12 Cleanout Screw 5/16-18x1/2 hex (x6)	239-82166-00	239-82166-00
13 Cleanout Jacket Cover	221-20299-00	221-20299-00
14 Cleanout Jacket Cover Screw 1/2-13x1 1/4 (x2)	239-43251-00	239-43251-00
15 Inner Door Complete	243-39207-00	243-39207-00
16 Outer Door	243-37177-00	243-37177-00
17 Gas Control Direct Replacement (Natural Gas)	415-52944-02	415-53011-02
Gas Control Direct Replacement (LP Gas)	415-52945-02	415-53014-02
18 ASSE Approved Mixing Valve (Optional)	239-51778-00	239-51778-00
Natural Gas Burner Assembly		
19 Nat Gas Burner Assembly Complete***	265-53648-00-18	265-53648-00-18
20 Nat. Gas Burner **	228-52013-00	228-52013-00
21 Nat. Gas Main Burner Orifice 0 Ft. to 2,000 Ft.**	234-41034-18	234-41034-18
Nat. Gas High Altitude 0 Ft. to 7000 Ft. **	234-41034-23	234-41034-23
Nat. Gas High Altitude Kit 7,001 Ft. to 10,000 Ft.	265-51311-03-27	265-51311-03-27
22 Feedline **	233-48209-01	233-48209-01
23 Nat. Gas Pilot Assembly **	415-53604-01	415-53604-01
LP Gas Burner Assembly		
24 LP Gas Burner Assembly Complete***	265-48255-01-35	265-48255-01-35
25 LP Gas Burner **	228-46938-00	228-46938-00
26 LP Gas Main Burner Orifice 0 Ft. to 2,000 Ft.**	234-47064-35	234-47064-35
LP Gas High Altitude 0 Ft. to 7,000 Ft. **	234-47064-39	234-47064-39
LP Gas High Altitude Kit 7,001 Ft. to 10,000 Ft.	265-51367-01-42	265-51367-01-42
27 Feedline **	233-47065-02	233-47065-02
28 LP Gas Pilot Assembly **	415-53605-01	415-53605-01
29 LP to Nat. Gas Conversion Kit	265-53632-01	265-53632-02
LP to Nat. Gas High Altitude Conversion Kit	265-53632-37	265-53632-38

- For serial numbers starting before "ND"
- ▶ For serial numbers starting with or after "ND"
- # Anode may need to be cut to length
- *Applies to all warranties
- ** Inner Door Gasket Kit Recommended

***Ordering a complete burner assembly may increase delivery time.
Please order the specific component required for the quickest delivery.



Item	Description	Model	Model
		RG255H*(N,X)	LG255H80*(N,X)
1	Draft Diverter	239-33081-02-20-15	239-33081-02-20-15
2	Hole Closure	239-31547-02	239-31547-02
3	Hex head Sacrificial Anode (Magnesium) #	415-55483-00	415-55483-00
	Hex head Sacrificial Anode (Aluminum) #	415-55485-00	415-55485-00
	Hex head Sacrificial Anode (A420 Aluminum) #	415-55487-00	415-55487-00
4	Flue Reducer	221-42572-00	221-42572-00
5	Hot Water Outlet Anode (Magnesium) #	415-55482-00	415-55482-00
	Hot Water Outlet Anode (Aluminum) #	415-55484-00	415-55484-00
	Hot Water Outlet Anode (A420 Aluminum) #	415-55486-00	415-55486-00
6	Flue Core	239-45676-00	239-45676-00
7	Cold Water Inlet Dip Tube (Polysulfone)	415-45092-02	415-45092-02
8	T&P Relief Valve	415-40594-03	415-40594-03
9	3/4 NPT Pipe Plug	239-11638-00	239-11638-00
10	Right Side Inner Door Complete	239-43963-07	239-43963-07
11	Screw-#8-18 x 3/4 HWH	239-44195-00	239-44195-00
12	Screw-#10-12 x 3/4 HWH	239-44113-00	239-44113-00
13	Left Side Inner Door Complete	239-43968-01	239-43968-01
14	Resettable Thermal Switch	415-43676-02	415-43676-02
15	Screw-#6-20 x 3/8 PHCR	239-43967-00	239-43967-00
16	Outer Door	239-43962-00	239-43962-00
17	Brass Drain Valve	415-48070-02	415-48070-02
18	Gas Control Direct Replacement (Natural Gas)	415-53011-02	415-53011-02
	Gas Control Direct Replacement (LP Gas)	415-53014-02	415-53014-02
19	ASSE Approved Mixing Valve (Optional)	239-51778-00	239-51778-00
20	Inner Door Gasket Kit	239-44078-00	239-44078-00
21	Resettable Thermal Switch Kit (5 pcs.)	415-48643-02	415-48643-02
Natural Gas Burner Assembly			
22	Nat Gas Burner Assembly Complete***	265-53629-19-19	265-53629-19-19
23	Nat. Gas Burner**	228-47000-00	228-47000-00
24	Nat. Gas Main Burner Orifice 0 Ft. to 2,000 Ft.**	234-41034-19	234-41034-19
	Nat. Gas High Altitude 0 Ft. to 7000 Ft. (-475 model suffixes)**	234-41034-25	234-41034-25
	Nat. Gas High Altitude Kit 7,001 Ft. to 10,000 Ft.	265-51311-02-28	265-51311-02-28
25	Feedline **	233-48094-05	233-48094-05
26	Nat. Gas Pilot Assembly**	415-52946-05	415-52946-05
LP Gas Burner Assembly			
27	LP Gas Burner Assembly Complete***	265-53631-30-38	265-53631-30-38
28	LP Gas Burner**	228-47000-00	228-47000-00
29	LP Gas Main Burner Orifice 0 Ft. to 2,000 Ft.**	234-41034-38	234-41034-38
	LP Gas High Altitude Orifice 0 Ft. to 7,000 Ft. (-475 model suffixes)**	234-41034-42	234-41034-42
	LP Gas High Altitude Kit 7,001 Ft. to 10,000 Ft.	265-51367-02-44	265-51367-02-44
30	Feedline**	233-47108-05	233-47108-05
31	LP Gas Pilot Assembly**	415-52947-05	415-52947-05
32	LP to Nat. Gas Conversion Kit	265-53621-84	265-53621-84
	LP to Nat. Gas High Altitude Conversion Kit	265-53621-85	265-53621-85

Anode may need to be cut to length

*Applies to all warranties

** Inner Door Gasket Kit Recommended

***Ordering a complete burner assembly may increase delivery time.
Please order the specific component required for the quickest delivery.



United States

Sales 1-800-523-2931
Technical Support 1-888-443-4394
Email techsupport@bradfordwhite.com
Warranty 1-800-531-2111
Email warranty@bradfordwhite.com
Service Parts 1-800-538-2020
Email parts@bradfordwhite.com

Canada

Sales 1-866-690-0961 1-905-203-0600
Fax 905-636-0666
Warranty 1-800-531-2111
Email warranty@bradfordwhite.com
Technical Support 1-888-443-4394
Email techsupport@bradfordwhite.com
Service Parts and Orders ca.orders@bradfordwhite.com

For U.S. and Canada field service, contact your professional installer or local Bradford White sales representative.

International

General Contact international@bradfordwhite.com