



CANADIAN RESIDENTIAL & LIGHT DUTY COMMERCIAL GAS REPLACEMENT PARTS LIST

The Bradford White DEFENDER Safety System™ High-Input Direct Vent Models



Models Covered:

RG2DV40S*(N,X)(-OLY,-FLX,-SLD)

RG2DV50S*(N,X)(-OLY,-FLX,-SLD)

RG2DV50H*(N,X)(-OLY,-FLX,-SLD)

LG2DV50H50*(N,X)(-OLY,-FLX,-SLD)

*Denotes warranty year

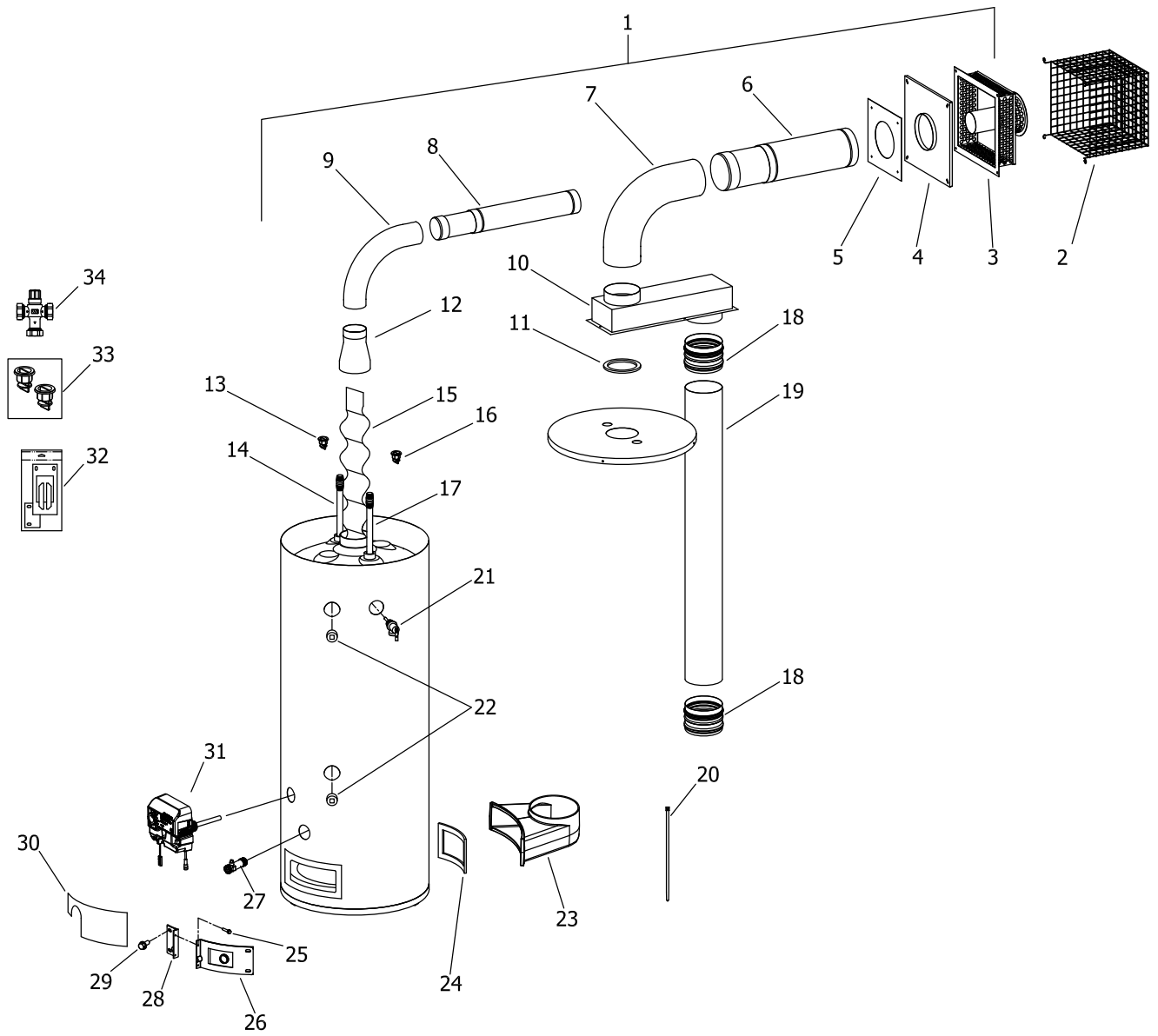
Effective: December, 2024
ECO 8780

**NOTE: BOTH MODEL AND
SERIAL NUMBERS ARE
REQUIRED FOR ORDERING
REPLACEMENT PARTS.**

Dimensions and specifications
subject to change without notice.



As required by the state of California Proposition 65.



Item	Description	Model	Model	Model	Model
		RG2DV40S*(N,X) (-OLY,-FLX,-SLD)	RG2DV50S*(N,X) (-OLY,-FLX,-SLD)	RG2DV50H*(N,X) (-OLY,-FLX,-SLD)	LG2DV50H50*(N,X) (-OLY,-FLX,-SLD)
1	Aluminum Venting (Solid)	415-51283-00	415-51283-00	415-51286-00	415-51286-00
	Aluminum Venting (Flexible)	415-51284-00	415-51284-00	415-51287-00	415-51287-00
2	Direct Vent-Air Intake Terminal Guard (Optional)	415-41453-00	415-41453-00	415-41453-00	415-41453-00
3	Direct Vent-Air Intake Terminal (Flexible & Solid)	415-41425-00	415-41425-00	239-42274-00	239-42274-00
4	Outer Wall Mounting Plate (Flexible & Solid)	415-41431-00	415-41431-00	239-42447-00	239-42447-00
5	Backing Plate	239-41433-00	239-41433-00	239-42449-00	239-42449-00
6	Six inch Diameter Telescopic Air Intake Tube (Solid Only)	---	---	239-42459-00	239-42459-00
	Five inch Diameter Telescopic Air Intake Tube (Solid Only)	239-41006-00	239-41006-00	---	---
7	Six inch Diameter Elbow (Solid Only)	---	---	239-42067-00	239-42067-00
	Five inch Diameter Elbow (Solid Only)	239-41007-00	239-41007-00	---	---
8	Four inch Diameter Telescopic Vent Tube (Solid Only)	---	---	239-42460-00	239-42460-00
	Three inch Diameter Telescopic Vent Tube (Solid Only)	239-41005-00	239-41005-00	---	---
9	Four inch Diameter Elbow (Solid Only)	---	---	239-42068-00	239-42068-00
	Three inch Diameter Elbow (Solid Only)	239-41008-00	239-41008-00	---	---
10	Plenum	239-47663-00	239-47663-00	239-47668-01	239-47668-01
11	Plenum Gasket	239-41070-01	239-41070-01	239-41070-02	239-41070-02
12	Flue Reducer	239-41009-00	239-41009-00	239-42066-00	239-42066-00
13	Heat Trap Insert (Outlet)	415-45167-00	415-45167-00	415-45167-00	415-45167-00
14	Hot Water Outlet Anode (Magnesium)▲ #	415-55482-00	415-55482-00	415-55482-00	415-55482-00
	Hot Water Outlet Anode (Aluminum)▲#	415-55484-00	415-55484-00	415-55484-00	415-55484-00
	Hot Water Outlet Anode (A420 Aluminum)▲#	415-55486-00	415-55486-00	415-55486-00	415-55486-00
15	Flue Baffle	243-47511-00	243-51013-00	243-50921-00	243-50921-00
16	Heat Trap Insert (Inlet)	415-51556-00	415-51556-00	415-51556-00	415-51556-00
17	Cold Water Inlet Dip Tube (PEX)▲▲	415-51230-25	229-51230-26	415-51230-20	415-51230-25
18	Coupler (2 Required)◆	239-50102-00	239-50102-00	239-50102-00	239-50102-00
19	Air Intake Tube	239-50099-05	239-50099-06	239-50099-06	239-50099-06
20	Wire Tie	239-44328-00	239-44328-00	239-44328-00	239-44328-00
21	T&P Relief Valve	415-40594-02	415-40594-02	415-40594-02	415-40594-02
22	3/4 NPT Plug	---	---	239-11638-00	239-11638-00
23	Air Intake Boot	239-47771-18	239-47771-18	239-47771-18	239-47771-18
24	Air Intake Boot Gasket	w/ Intake Boot	w/ Intake Boot	w/ Intake Boot	w/ Intake Boot
25	Screw-#8-18 x 3/4 HWH	239-44195-00	239-44195-00	239-44195-00	239-44195-00
26	Right Side Inner Door	239-45642-18	239-45642-18	239-45642-18	239-45642-18
27	Brass Drain Valve	415-42351-02	415-42351-02	415-42351-02	415-42351-02
28	Left Side Inner Door	239-43968-18	239-43968-18	239-43968-18	239-43968-18
29	Screw-#10-12 x 3/4 HWH	239-44113-00	239-44113-00	239-44113-00	239-44113-00
30	Outer Door	243-43962-00	243-43962-00	243-43962-00	243-43962-00
31	Gas Control Direct Replacement Natural Gas	415-52944-02	415-52944-02	415-52944-02	415-53011-02
	Gas Control Direct Replacement LP Gas	415-52945-02	415-52945-02	415-52945-02	415-53014-02
32	Inner Door Gasket Kit	238-49987-00	238-49987-00	238-49987-00	238-49987-00
33	Heat Trap Insert Kit	265-51572-00	265-51572-00	265-51572-00	265-51572-00
34	ASSE Approved Mixing Valve (Optional)	239-43740-01	239-43740-01	239-43740-01	239-43740-01

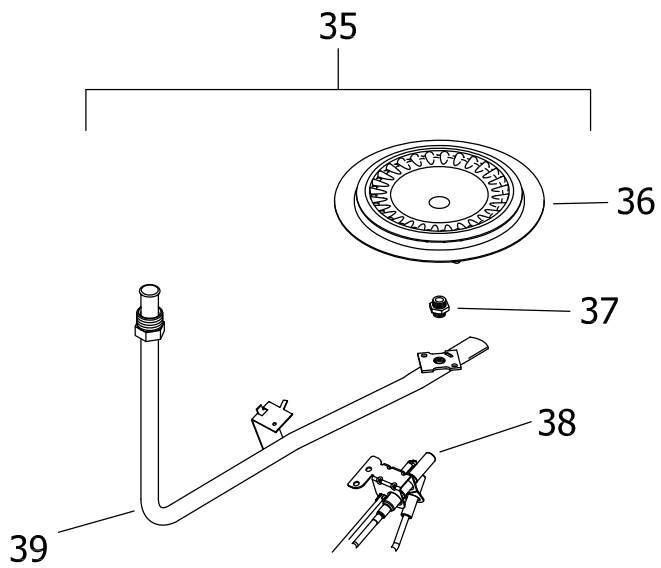
*Applies to all warranties

Aluminum Anode may need to be cut to length

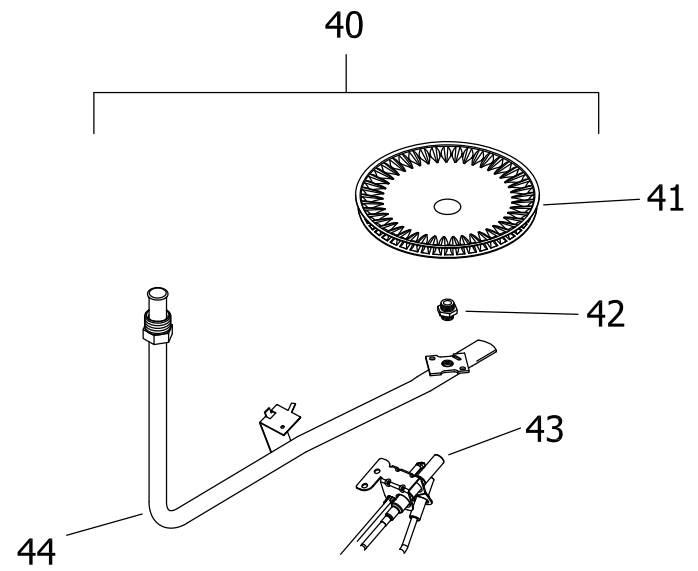
◆ Air intake tube (item# 19) should be purchased with coupler (item 18).

▲ Order with item# 13

▲▲ Order with item# 16



NATURAL GAS (N) BURNER ASSEMBLY



LP GAS (X) BURNER ASSEMBLY


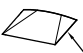
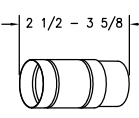
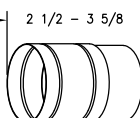

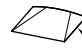
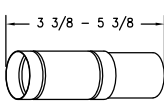
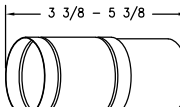


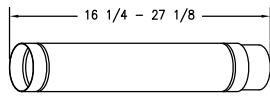
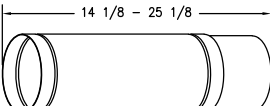


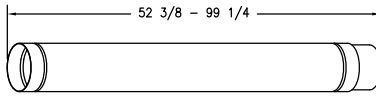
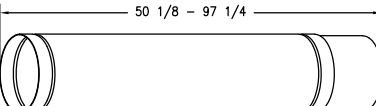
Item	Description	Model RG2DV40S*(N,X) (-OLY,-FLX,-SLD)	Model RG2DV50S*(N,X) (-OLY,-FLX,-SLD)	Model RG2DV50H*(N,X) (-OLY,-FLX,-SLD)	Model LG2DV50H50*(N,X) (-OLY,-FLX,-SLD)
Natural Gas (N) Burner Assembly					
35	Nat. Gas Burner Assembly Complete***	265-53644-04-33	265-53644-04-32	265-53644-04-31	265-53644-04-31
36	Nat. Gas BN Burner**	228-42506-00	228-42506-00	228-42506-00	228-42506-00
37	Nat. Gas (N) Main Burner Orifice 0 Ft. to 2,000 Ft. **	234-41034-33	234-41034-32	234-41034-31	234-41034-31
	Nat. Gas (N) High Altitude Orifice 0 Ft. to 7,000 Ft. (-475 model suffixes) **	234-41034-38	234-41034-36	234-41034-35	234-41034-35
	Nat. Gas (N) High Altitude Orifice Kit 7,001 Ft. to 10,000 Ft.	265-51311-02-41	265-51311-02-40	265-51311-02-38	265-51311-02-38
38	Nat. Gas Pilot Assembly	233-53604-01	233-53604-01	233-53604-01	233-53604-01
39	Nat. Gas Feedline	233-48095-05	233-48095-05	233-48095-05	233-48095-05
LP Gas (X) Burner Assembly					
40	LP Gas Burner Assembly Complete***	265-53639-02-50	265-53639-02-49	265-53641-04-47	265-53641-04-47
41	LP Gas (X) Burner**	228-46964-00	228-46964-00	228-47000-00	228-47000-00
42	LP Gas (X) Main Burner Orifice 0 Ft. to 2,000 Ft. **	234-47064-50	234-47064-49	234-47064-47	234-47064-47
	LP Gas (X) High Altitude Orifice 0 Ft. to 7,000 ft. (-475 model suffixes) **	234-47064-52	234-47064-51	234-47064-50	234-47064-50
	LP Gas (X) High Altitude Orifice Kit 7,001 Ft. to 10,000 Ft. **	265-51367-02-53	265-51367-02-53	265-51367-02-51	265-51367-02-51
43	LP Gas Pilot Assembly**	233-53605-01	233-53605-01	233-53605-01	233-53605-01
44	LP Gas Feedline	233-47677-05	233-47677-05	233-47677-05	233-47677-05
	LP Gas (X) to Nat. Gas (N) Conversion kit	265-53632-26	265-53632-28	265-53632-30	265-53632-32
	LP Gas (X) to Nat. Gas (N) Hi Alt Conversion kit	265-53632-46	265-53632-47	265-53632-48	265-53632-49

*Applies to all warranties

**Inner door gasket kit recommended

***Ordering a complete burner assembly may increase delivery time. Please order the specific component required for the quickest delivery.

SOLID VENT KITS

 <p style="text-align: center;">SILICONE SEALANT</p>  <p style="text-align: center;">BAG OF MOUNTING HARDWARE</p> <div style="display: flex; justify-content: space-around; align-items: center;"> <div style="text-align: center;">  <p>2 1/2 - 3 5/8</p> </div> <div style="text-align: center;">  <p>2 1/2 - 3 5/8</p> </div> </div> <p style="text-align: center;">DIRECT VENT-AIR INTAKE KIT F PART NO. 239-42516-00 (OPTIONAL)</p>	 <p style="text-align: center;">SILICONE SEALANT</p>  <p style="text-align: center;">BAG OF MOUNTING HARDWARE</p> <div style="display: flex; justify-content: space-around; align-items: center;"> <div style="text-align: center;">  <p>3 3/8 - 5 3/8</p> </div> <div style="text-align: center;">  <p>3 3/8 - 5 3/8</p> </div> </div> <p style="text-align: center;">DIRECT VENT-AIR INTAKE KIT G PART NO. 239-42517-00 (OPTIONAL)</p>
 <p style="text-align: center;">SILICONE SEALANT</p>  <p style="text-align: center;">BAG OF MOUNTING HARDWARE</p> <div style="text-align: center; margin-bottom: 10px;">  <p>16 1/4 - 27 1/8</p> </div> <div style="text-align: center;">  <p>14 1/8 - 25 1/8</p> </div> <p style="text-align: center;">DIRECT VENT-AIR INTAKE KIT H PART NO. 239-42514-00 (OPTIONAL) ABOVE TUBE LENGTHS SUPPLIED WITH HEATER</p>	 <p style="text-align: center;">SILICONE SEALANT</p>  <p style="text-align: center;">BAG OF MOUNTING HARDWARE</p> <div style="text-align: center; margin-bottom: 10px;">  <p>52 3/8 - 99 1/4</p> </div> <div style="text-align: center;">  <p>50 1/8 - 97 1/4</p> </div> <p style="text-align: center;">DIRECT VENT-AIR INTAKE KIT I PART NO. 239-42512-00 (OPTIONAL)</p>

SOLID VENT KITS

		Horizontal "X"				
		16 1/4 17 3/16	18 20 11/16	25 1/4 35 3/16	37 3/4 57 7/8	61 5/16 107 5/16
Vertical "Y"	11 9/16	order kit F 239-42516-00	order kit G 415-42517-00	no add'l kit req'd	order kit H 415-42514-00	order kit I 415-42512-00
	16 5/16 17 1/4	order kit F * (2) 239-42516-00	order kit F & G 239-42516-00 415-42517-00	order kit F 239-42516-00	order kit F & H 239-42516-00 415-42514-00	order kit F & I 239-42516-00 415-42512-00
	18 1/16 20 3/4	order kit F & G 239-42516-00 415-42517-00	order kit G * (2) 415-42517-00	order kit G 415-42517-00	order kit G & H 415-42517-00 415-42514-00	order kit G & I 415-42517-00 415-42512-00
	25 5/16 35 1/4	order kit F 239-42516-00	order kit G 415-42517-00	order kit H 415-42514-00	order kit H * (2) 415-42514-00	order kit I 415-42512-00
	38 1/16 57 15/16	order kit F & H 239-42516-00 415-42514-00	order kit G & H 415-42517-00 415-42514-00	order kit H * (2) 415-42514-00	order kit H * (3) 415-42514-00	order kit H & I 415-42514-00 415-42512-00
	61 3/8 107 3/8	order kit F & I 239-42516-00 415-42512-00	order kit G & I 415-42517-00 415-42512-00	order kit I 415-42512-00	order kit H & I 415-42514-00 415-42512-00	order kit I * (2) 415-42512-00

*(2) = Order two kits

*(3) = Order three kits

FLEXIBLE VENT KITS

Vertical Vent Height + Horizontal Vent Length	Kit Part Number
Less than 100 inches	415-48915-00
More than 100 inches	N/A*

*Do not attempt to use flexible vent hose at a distance greater than 100 inches.



United States

Sales 1-800-523-2931
Technical Support 1-800-334-3393
Email techsupport@bradfordwhite.com
Warranty 1-800-531-2111
Email warranty@bradfordwhite.com
Service Parts 1-800-538-2020
Email parts@bradfordwhite.com

Canada

Sales 1-866-690-0961 1-905-203-0600
Fax 905-636-0666
Warranty 1-800-531-2111
Email warranty@bradfordwhite.com
Technical Support 1-800-334-3393
Email techsupport@bradfordwhite.com
Service Parts and Orders ca.orders@bradfordwhite.com

For U.S. and Canada field service, contact your professional installer or local Bradford White sales representative.

International

General Contact international@bradfordwhite.com