



CANADIAN RESIDENTIAL GAS REPLACEMENT PARTS LIST

ATMOSPHERIC VENT Gas Water Heater



Models Covered:
RG1(30,40,50)T*(N,X)
RG1(40,50)S*(N,X)
RG2(30,40,50)S*(N,X)
RG250H*(N,X)
RG2(30,40,50)T*(N,X)
RG(1,2)50L*(N,X)
RG260T*(N,X)
*Denotes warranty year

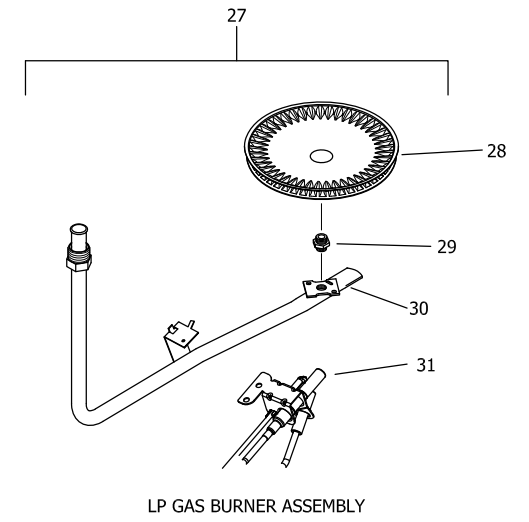
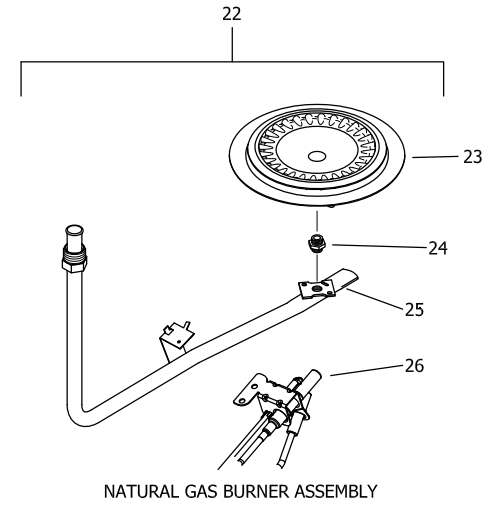
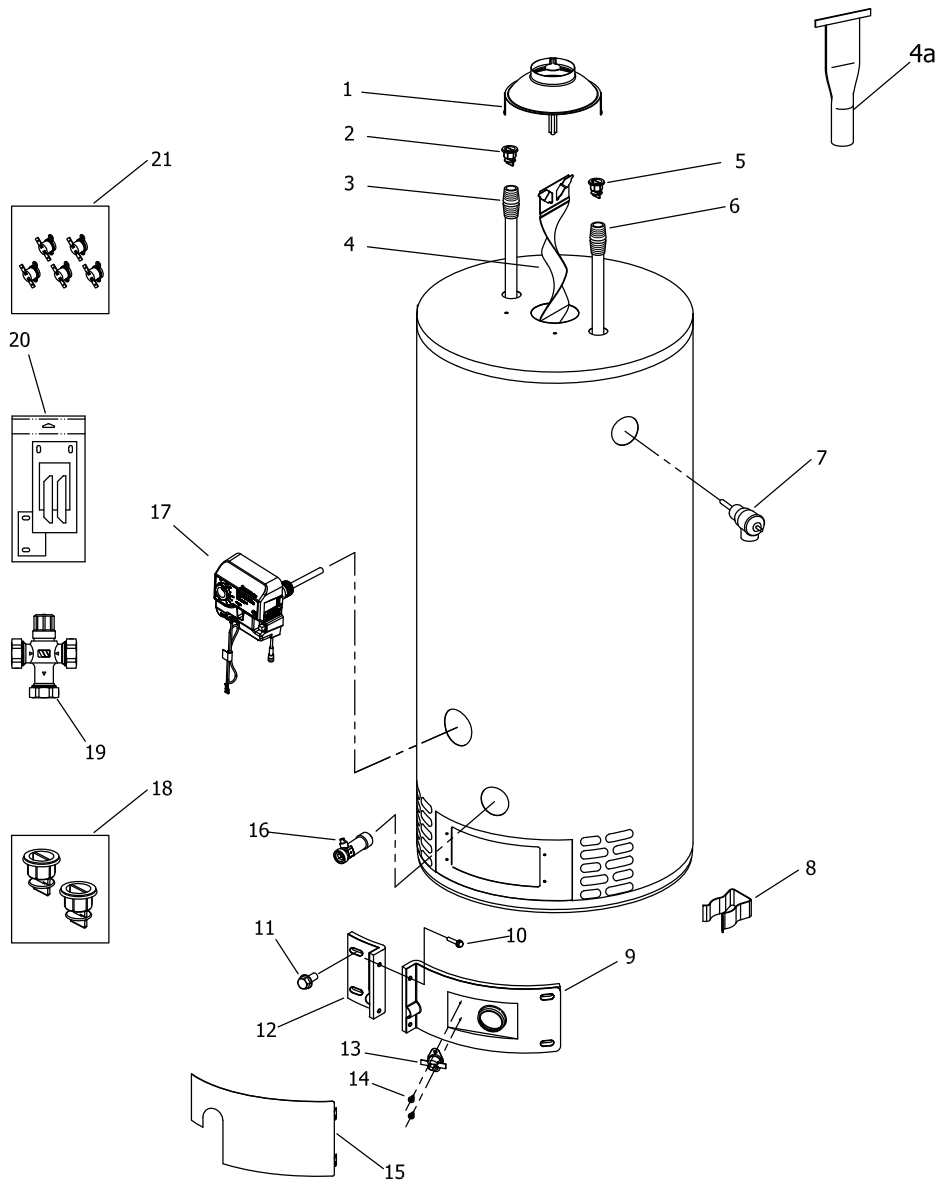
Effective: October, 2024
ECO 8780

**NOTE: BOTH MODEL AND SERIAL
NUMBERS ARE REQUIRED FOR
ORDERING REPLACEMENT PARTS**

Dimensions and specifications
subject to change without notice.

WARNING
CANCER AND REPRODUCTIVE HARM
WWW.P65WARNINGS.CA.GOV

As required by the state of California Proposition 65.



Item Description	Model	Model	Model
	RG130T*(N,X)	RG140T*(N,X)	RG140S*(N,X)
1 Draft Diverter	243-45787-00	243-45787-00	243-45787-00
2 Heat Trap Insert (Outlet)	415-45167-00	415-45167-00	415-45167-00
3 Hot Water Outlet Anode (Magnesium)▲#	415-55482-00	415-55482-00	415-55482-00
Hot Water Outlet (Aluminum)▲#	415-55484-00	415-55484-00	415-55484-00
Hot Water Outlet (A420 Aluminum)▲#	415-55486-00	415-55486-00	415-55486-00
4 Flue Baffle	243-51480-00	243-54463-00	243-50993-00
5 Heat Trap Insert (Inlet)	415-51556-00	415-51556-00	415-51556-00
6 Cold Water Inlet Dip Tube (PEX)▲▲	415-51230-19	415-51230-21	415-51230-24
7 T&P Relief Valve	415-40594-02	415-40594-02	415-40594-01
8 Feedline Clip	239-47475-00	239-47475-00	239-47475-00
9 Right Side Inner Door Complete	239-43963-01	239-43963-04	239-43963-07
10 Screw-#8-18 x 3/4 HWH	239-44195-00	239-44195-00	239-44195-00
11 Screw-#10-12 x 3/4 HWH	239-52581-00	239-52581-00	239-52581-00
12 Left Side Inner Door Complete	239-43968-14	239-43968-16	239-43968-18
13 Resettable Thermal Switch	415-43676-02	415-43676-02	415-43676-02
14 Screw-#6-20 x 3/8 PHCR	239-43967-00	239-43967-00	239-43967-00
15 Outer Door	243-43962-00	243-43962-00	243-43962-00
16 Brass Drain Valve	415-42351-02	415-42351-02	415-42351-02
17 Gas Control Direct Replacement (Nat. Gas)**	415-52944-01	415-52944-01	415-52944-01
Gas Control Direct Replacement (LP Gas)**	415-52945-01	415-52945-01	415-52945-01
18 Kit-Heat Trap Insert	265-51572-00	265-51572-00	265-51572-00
19 ASSE Approved Mixing Valve (Optional)	239-51778-00	239-51778-00	239-51778-00
20 Inner Door Gasket Kit	239-44078-00	239-44078-00	239-44078-00
21 Resettable Thermal Switch Kit (5 pcs.)	415-43676-02	415-43676-02	415-43676-02
Natural Gas Burner Assembly			
22 Nat Gas Burner Assembly Complete*** **	265-53623-01-39	265-53623-02-35	265-53623-03-32
23 Nat. Gas Burner**	228-42506-00	228-42506-00	228-42506-00
24 Nat. Gas Main Burner Orifice** (0 Ft. to 2,000 Ft.)	234-41034-39	234-41034-35	234-41034-32
Nat. Gas High Altitude Orifice 0 Ft. to 7,000 Ft. **	234-41034-43	234-41034-39	234-41034-37
25 Feedline**	233-48094-01	233-48094-02	233-48094-03
26 Nat. Gas Pilot Assembly**	415-52946-05	415-52946-05	415-52946-05
LP Gas Burner Assembly			
27 LP Gas Burner Assembly Complete*** **	265-53634-01-53	265-53634-02-51	265-53634-03-50
28 LP Gas Burner**	228-46964-00	228-46964-00	228-46964-00
29 LP Gas Main Burner Orifice**	234-47064-53	234-47064-51	234-47064-50
LP Gas High Altitude Orifice 0 Ft. to 7,000 Ft. **	234-47064-54	234-47064-53	234-47064-52
30 Feedline**	233-47108-01	233-47108-02	233-47108-03
31 LP Gas Pilot Assembly**	415-52947-05	415-52947-05	415-52947-05
LP to Nat. Gas Conversion Kit	265-53632-32	265-53632-34	265-53621-05
LP to Nat. Gas High Altitude Conversion Kit	265-53632-49	265-53632-51	265-53621-60

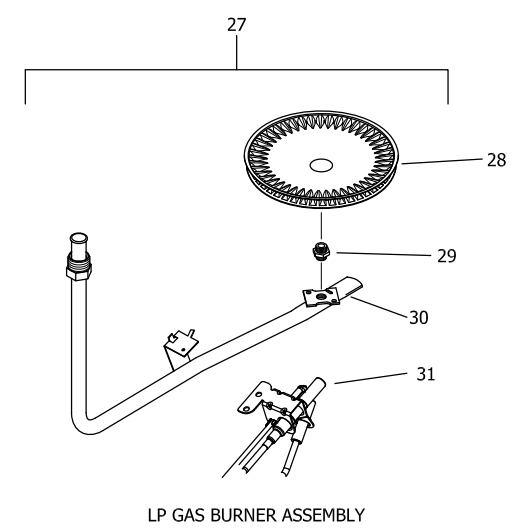
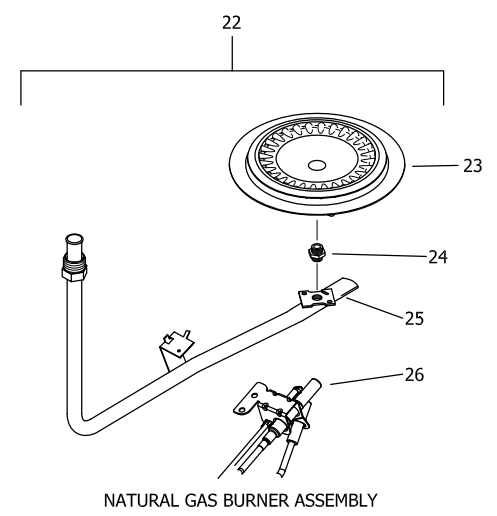
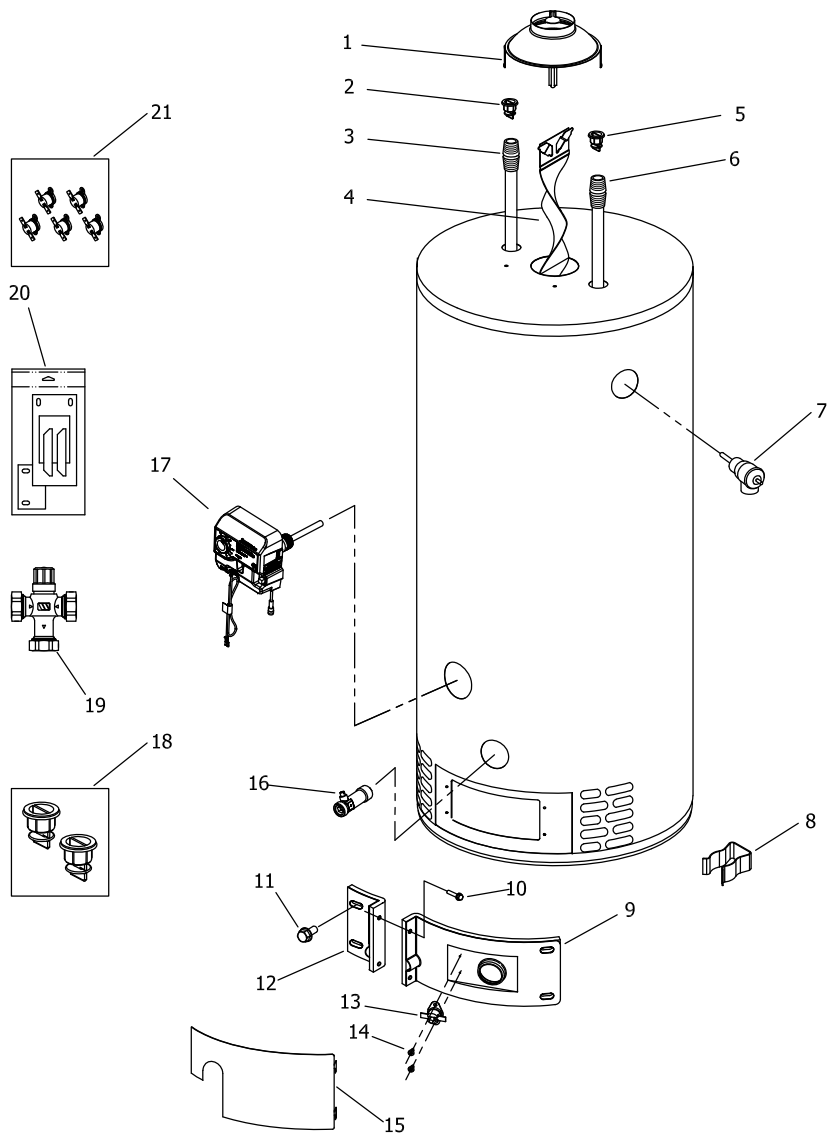
*Applies to all warranties

▲ Order with item 2 # Anode may need to be cut to length

**Inner door gasket kit recommended

▲▲ Order with item 5

***Ordering a complete burner assembly may increase delivery time. Please order the specific component required for the quickest delivery.



Item	Description	Model	Model	Model
		RG150T*(N,X)	RG150S*(N,X)	RG150L*(N,X)
1	Draft Diverter	243-45787-00	243-45787-00	243-45787-00
2	Heat Trap Insert (Outlet)	415-45167-00	415-45167-00	415-45167-00
3	Hot Water Outlet Anode (Magnesium)▲#	415-55482-00	415-55482-00	415-55482-00
	Hot Water Outlet (Aluminum)▲#	415-55484-00	415-55484-00	415-55484-00
	Hot Water Outlet (A420 Aluminum)▲#	415-55486-00	415-55486-00	415-55486-00
4	Flue Baffle	243-54463-00	243-45225-00	243-45223-00
5	Heat Trap Insert (Inlet)	415-51556-00	415-51556-00	415-51556-00
6	Cold Water Inlet Dip Tube (PEX)▲▲	415-51230-18	229-51230-26	415-51230-20
7	T&P Relief Valve	415-40594-02	415-40594-01	415-40594-01
8	Feedline Clip	239-47475-00	239-47475-00	239-47475-00
9	Right Side Inner Door Complete	239-43963-06	239-43963-06	239-43963-09
10	Screw-#8-18 x 3/4 HWH	239-44195-00	239-44195-00	239-44195-00
11	Screw-#10-12 x 3/4 HWH	239-52581-00	239-52581-00	239-52581-00
12	Left Side Inner Door Complete	239-43968-18	239-43968-18	239-43968-20
13	Resettable Thermal Switch	415-43676-01	415-43676-01	415-43676-01
14	Screw-#6-20 x 3/8 PHCR	239-43967-00	239-43967-00	239-43967-00
15	Outer Door	243-43962-00	243-43962-00	243-43962-00
16	Brass Drain Valve	415-42351-02	415-42351-02	415-42351-02
17	Gas Control Direct Replacement (Nat. Gas)**	415-52944-01	415-52944-01	415-52944-01
	Gas Control Direct Replacement (LP Gas)**	415-52945-01	415-52945-01	415-52945-01
18	Kit-Heat Trap Insert	265-51572-00	265-51572-00	265-51572-00
19	ASSE Approved Mixing Valve (Optional)	239-51778-00	239-51778-00	239-51778-00
20	Inner Door Gasket Kit	239-44078-00	239-44078-00	239-44078-00
21	Resettable Thermal Switch Kit (5 pcs.)	415-43676-01	415-43676-01	415-43676-01
Natural Gas Burner Assembly				
22	Nat Gas Burner Assembly Complete*** **	265-53623-03-35	265-53623-03-30	265-53623-04-32
23	Nat. Gas Burner**	228-42506-00	228-42506-00	228-42506-00
24	Nat. Gas Main Burner Orifice** (0 Ft. to 2,000 Ft.)	234-41034-35	234-41034-30	234-41034-32
	Nat. Gas High Altitude Orifice 0 Ft. to 7,000 Ft. **	234-41034-39	234-41034-31	234-41034-37
25	Feedline**	233-48094-03	233-48094-03	233-48094-04
26	Nat. Gas Pilot Assembly**	415-52946-05	415-52946-03	415-52946-05
LP Gas Burner Assembly				
27	LP Gas Burner Assembly Complete*** **	265-53634-03-51	265-53637-02-47	265-53634-04-50
28	LP Gas Burner**	228-46964-00	228-46964-00	228-46964-00
29	LP Gas Main Burner Orifice**	234-47064-51	234-47064-47	234-47064-50
	LP Gas High Altitude Orifice 0 Ft. to 7,000 Ft. **	234-47064-53	234-47064-49	234-47064-52
30	Feedline**	233-47108-03	233-47108-03	233-47108-04
31	LP Gas Pilot Assembly**	415-52947-05	415-52947-05	415-52947-05
	LP to Nat. Gas Conversion Kit	265-53621-52	265-53621-08	265-53621-07
	LP to Nat. Gas High Altitude Conversion Kit	265-53621-82	265-53621-63	265-53621-62

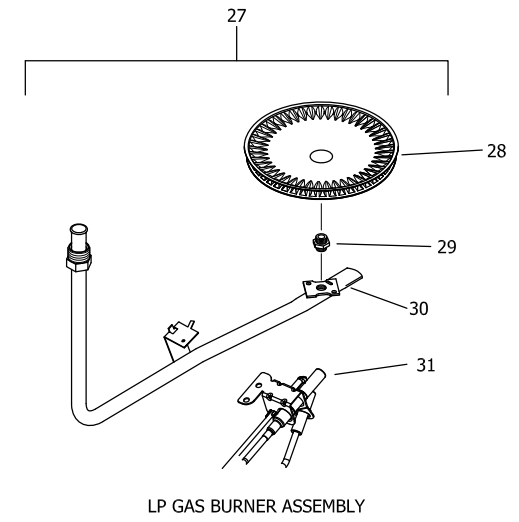
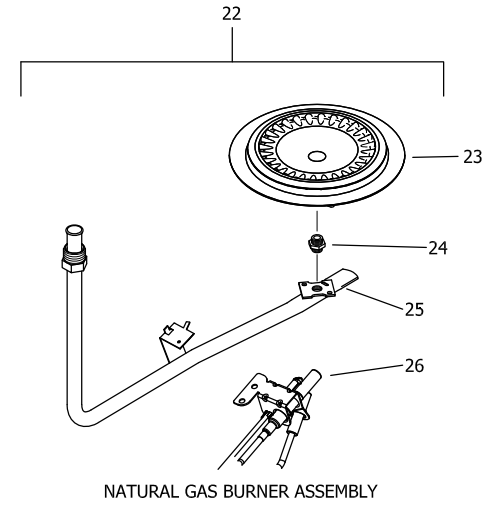
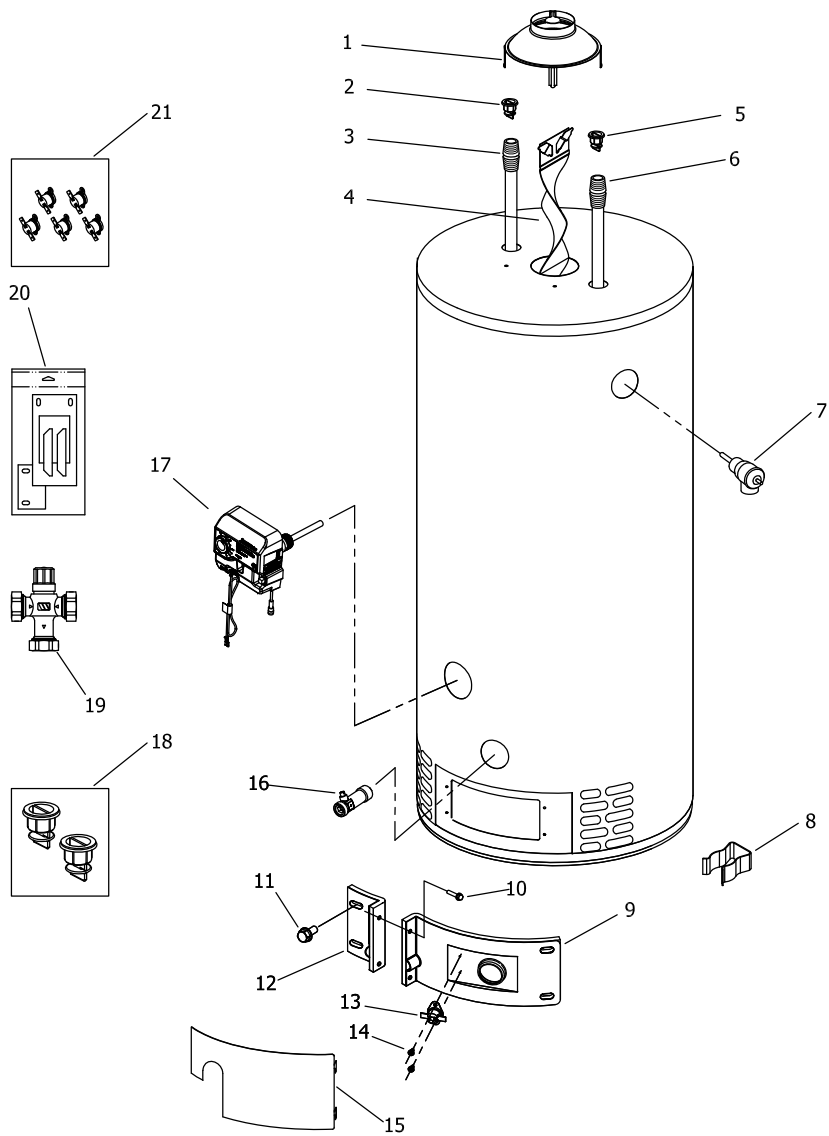
*Applies to all warranties

▲ Order with item 2 # Anode may need to be cut to length

**Inner door gasket kit recommended

▲▲ Order with item 5

***Ordering a complete burner assembly may increase delivery time. Please order the specific component required for the quickest delivery.



Item	Description	Model	Model	Model	Model
		RG230S*(N,X)	RG230T*(N,X)	RG240S*(N,X)	RG240T*(N,X)
1	Draft Diverter	243-45787-00	243-45787-00	243-45787-00	243-45787-00
2	Heat Trap Insert (Outlet)	415-45167-00	415-45167-00	415-45167-00	415-45167-00
3	Hot Water Outlet Anode (Magnesium)▲#	415-55482-00	415-55482-00	415-55482-00	415-55482-00
	Hot Water Outlet (Aluminum)▲#	415-55484-00	415-55484-00	415-55484-00	415-55484-00
	Hot Water Outlet (A420 Aluminum)▲#	415-55486-00	415-55486-00	415-55486-00	415-55486-00
4	Flue Baffle	243-45226-00	243-44639-00	243-52980-00	243-52981-00
5	Heat Trap Insert (Inlet)	415-51556-00	415-51556-00	415-51556-00	415-51556-00
6	Cold Water Inlet Dip Tube (PEX)▲▲	415-51230-20	415-51230-19	229-45092-14	415-45092-06
7	T&P Relief Valve	415-40594-02	415-40594-02	415-40594-02	415-40594-02
8	Feedline Clip	239-47475-00	239-47475-00	239-47475-00	239-47475-00
9	Right Side Inner Door Complete (Nat. Gas)	239-43963-03	239-43963-02	239-43963-07	239-43963-05
	Right Side Inner Door Complete (LP Gas)	239-43963-03	239-43963-02	239-43963-07	239-43963-04
10	Screw-#8-18 x 3/4 HWH	239-44195-00	239-44195-00	239-44195-00	239-44195-00
11	Screw-#10-12 x 3/4 HWH	239-52581-00	239-52581-00	239-52581-00	239-52581-00
12	Left Side Inner Door Complete	239-43968-16	239-43968-14	239-43968-18	239-43968-16
13	Resettable Thermal Switch	415-43676-01	415-43676-03	415-43676-02	415-43676-03
14	Screw-#6-20 x 3/8 PHCR	239-43967-00	239-43967-00	239-43967-00	239-43967-00
15	Outer Door	243-43962-00	243-43962-00	243-43962-00	243-43962-00
16	Brass Drain Valve	415-42351-02	415-42351-02	415-42351-02	415-42351-02
17	Gas Control Direct Replacement (Nat. Gas)	415-52944-02	415-52944-02	415-52944-02	415-52944-02
	Gas Control Direct Replacement (LP Gas)	415-52945-02	415-52945-02	415-52945-02	415-52945-02
18	Kit-Heat Trap Insert	265-51572-00	265-51572-00	265-51572-00	265-51572-00
19	ASSE Approved Mixing Valve (Optional)	239-51778-00	239-51778-00	239-51778-00	239-51778-00
20	Inner Door Gasket Kit	239-44078-00	239-44078-00	239-44078-00	239-44078-00
21	Resettable Thermal Switch Kit (5 pcs.)	415-43676-01	415-43676-03	415-43676-02	415-43676-03
Natural Gas Burner Assembly					
22	Nat Gas Burner Assembly Complete*** **	265-53623-03-38	265-53623-02-36	265-53623-04-32	265-53623-03-32
23	Nat. Gas Burner**	228-42506-00	228-42506-00	228-42506-00	228-42506-00
24	Nat. Gas Main Burner Orifice** (0 Ft. to 2,000 Ft.)	234-41034-38	234-41034-36	234-41034-32	234-41034-32
	Nat. Gas High Altitude Orifice 0 Ft. to 7,000 Ft. **	234-41034-42	234-41034-41	234-41034-36	234-41034-36
25	Feedline**	233-48094-03	233-48094-02	233-48094-04	233-48094-03
26	Nat. Gas Pilot Assembly**	415-52946-05	415-52946-05	415-52946-05	415-52946-05
LP Gas Burner Assembly					
27	LP Gas Burner Assembly Complete*** **	265-53634-03-53	265-53634-02-60	265-53634-04-50	265-53634-03-52
28	LP Gas Burner**	228-46964-00	228-46964-00	228-46964-00	228-46964-00
29	LP Gas Main Burner Orifice**	234-47064-53	234-47064-60	234-47064-50	234-47064-52
	LP Gas High Altitude Orifice 0 Ft. to 7,000 Ft. **	234-47064-54	234-47064-54	234-47064-52	234-47064-53
30	Feedline**	233-47108-03	233-47108-02	233-47108-04	233-47108-03
31	LP Gas Pilot Assembly**	415-52947-05	415-52947-05	415-52947-05	415-52947-05
	LP to Nat. Gas Conversion Kit	265-53621-40	265-53621-09	265-53621-43	265-53621-10
	LP to Nat. Gas High Altitude Conversion Kit	265-53621-75	265-53621-76	265-53621-77	265-53621-78

*Applies to all warranties

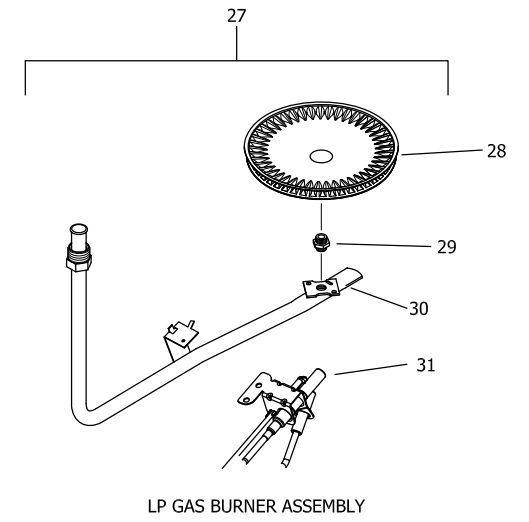
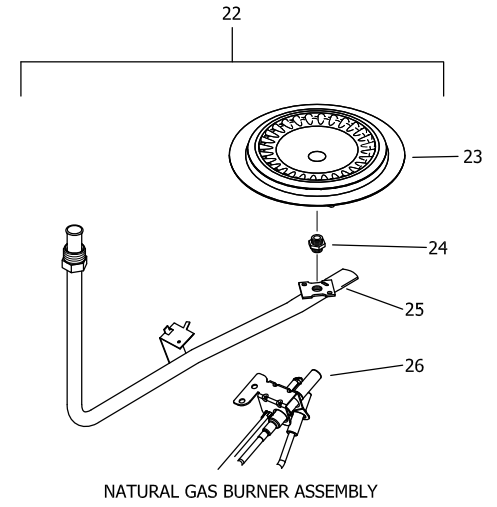
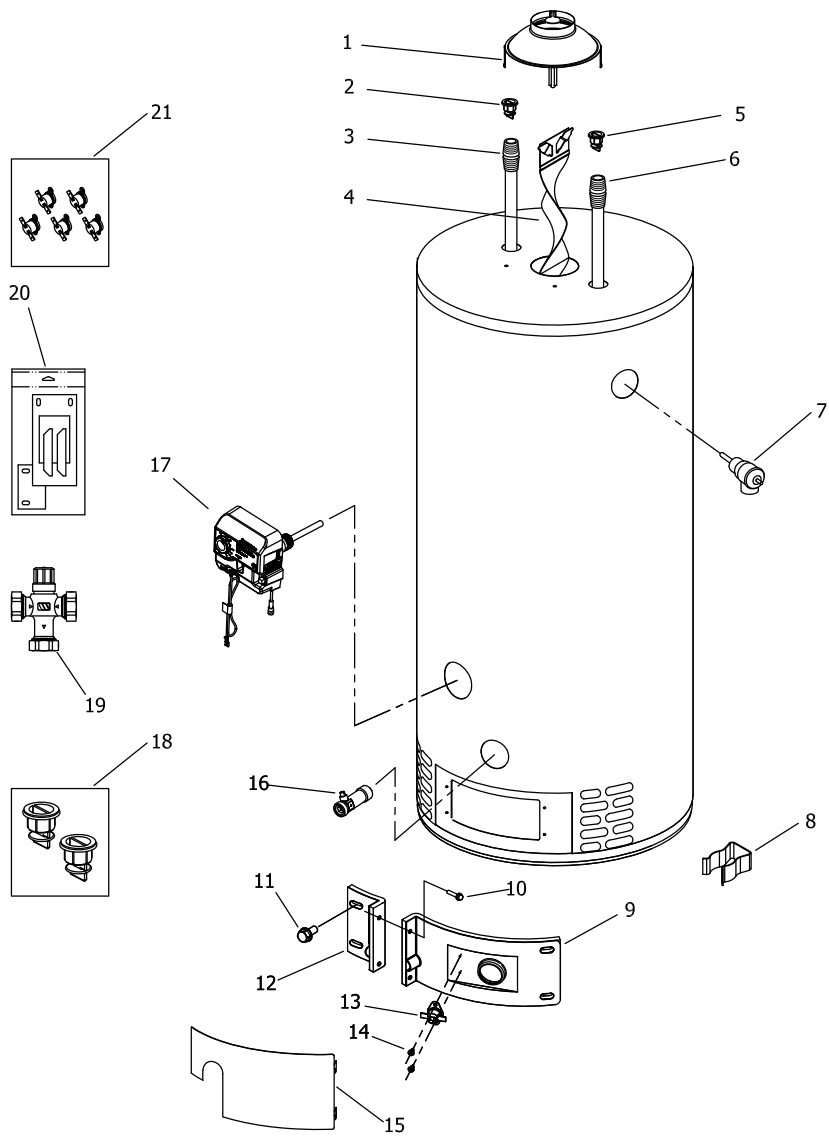
**Inner door gasket kit recommended

***Ordering a complete burner assembly may increase delivery time.
Please order the specific component required for the quickest delivery.

▲ Order with item 2

▲▲ Order with item 5

Anode may need to be cut to length



Item Description	Model	Model	Model	Model	Model
	RG250L*(N,X)	RG250S*(N,X)	RG250H*(N,X)	RG250T*(N,X)	RG260T*(N,X)
1 Draft Diverter	243-45787-00	239-33081-02-20-15	239-12950-00	243-45787-00	243-45787-00
2 Heat Trap Insert (Outlet)	415-45167-00	415-45167-00	415-45167-00	415-45167-00	415-45167-00
3 Hot Water Outlet Anode (Magnesium)▲#	415-55482-00	415-55482-00	415-55482-00	415-55482-00	415-55482-00
Hot Water Outlet (Aluminum)▲#	415-55484-00	415-55484-00	415-55484-00	415-55484-00	---
Hot Water Outlet (A420 Aluminum)▲#	415-55486-00	415-55486-00	415-55486-00	415-55486-00	---
4 Flue Baffle	243-45223-00	243-53148-00	---	243-44705-00	243-50065-03
4a Flue Core	---	---	239-51837-00	---	415-45167-00
5 Heat Trap Insert (Inlet)	415-51556-00	415-51556-00	415-51556-00	415-51556-00	415-45092-06
6 Cold Water Inlet Dip Tube (PEX)▲▲	415-51230-16	415-51230-14	229-45092-08	415-51230-18	415-40594-03
7 T&P Relief Valve	415-40594-02	415-40594-02	415-40594-02	415-40594-02	239-47475-00
8 Feedline Clip	239-47475-00	239-47475-00	239-47475-00	239-47475-00	239-43963-12
9 Right Side Inner Door Complete	239-43963-09	239-43963-06	239-43963-07	239-43963-07	239-43963-07
10 Screw-#8-18 x 3/4 HWH	239-44195-00	239-44195-00	239-44195-00	239-44195-00	239-54354-00
11 Screw-#10-12 x 3/4 HWH	239-52581-00	239-52581-00	239-52581-00	239-52581-00	239-52581-00
12 Left Side Inner Door Complete	239-43968-20	239-43968-18	239-43968-18	239-43968-18	239-43968-20
13 Resettable Thermal Switch	415-43676-01	415-43676-01	415-43676-02	415-43676-02	415-43676-02
14 Screw-#6-20 x 3/8 PHCR	239-43967-00	239-43967-00	239-43967-00	239-43967-00	239-43967-00
15 Outer Door	243-43962-00	243-43962-00	243-43962-00	243-43962-00	243-43962-00
16 Brass Drain Valve	415-42351-02	415-42351-02	415-42351-02	415-42351-02	415-48070-02
17 Gas Control Direct Replacement (Nat. Gas)	415-52944-02	415-52944-02	415-52944-02	415-52944-02	415-52944-02
Gas Control Direct Replacement (LP Gas)	415-52945-02	415-52945-02	415-52945-02	415-52945-02	415-52945-02
18 Kit-Heat Trap Insert	265-51572-00	265-51572-00	265-51572-00	265-51572-00	265-51572-00
19 ASSE Approved Mixing Valve (Optional)	239-51778-00	239-51778-00	239-51778-00	239-51778-00	239-51778-00
20 Inner Door Gasket Kit	239-44078-00	239-44078-00	239-44078-00	239-44078-00	239-44078-00
21 Resettable Thermal Switch Kit (5 pcs.)	415-43676-01	415-43676-01	415-43676-02	415-43676-02	415-43676-02
Natural Gas Burner Assembly					
22 Nat Gas Burner Assembly Complete*** **	265-53623-06-32	265-53623-04-30	265-53623-04-27	265-53623-04-32	265-53623-06-33
23 Nat. Gas Burner**	228-42506-00	228-42506-00	228-42506-00	228-42506-00	228-42506-00
24 Nat. Gas Main Burner Orifice** (0 Ft. to 2,000 Ft.)	234-41034-32	234-41034-30	234-41034-27	234-41034-32	234-41034-33
Nat. Gas High Altitude Orifice 0 Ft. to 7,000 Ft. **	234-41034-36	234-41034-32	234-41034-29	234-41034-36	234-41034-36
25 Feedline**	233-48094-05	233-48094-04	233-48094-04	233-48094-04	233-48094-05
26 Nat. Gas Pilot Assembly**	415-52946-05	415-52946-05	415-52946-05	415-52946-05	415-52946-05
LP Gas Burner Assembly					
27 LP Gas Burner Assembly Complete*** **	265-53634-05-50	265-53634-03-47	265-53637-03-43	265-53634-04-51	265-53634-05-50
28 LP Gas Burner**	228-46964-00	228-47000-00	228-47000-00	228-46964-00	228-46964-00
29 LP Gas Main Burner Orifice**	234-47064-50	234-47064-47	234-47064-43	234-47064-51	234-47064-50
LP Gas High Altitude Orifice 0 Ft. to 7,000 Ft. **	234-47064-52	234-47064-50	234-47064-45	234-47064-53	234-47064-52
30 Feedline**	233-47108-05	243-48039-03	233-47108-04	233-47108-04	233-47108-05
31 LP Gas Pilot Assembly**	415-52947-05	415-52947-05	415-52947-05	415-52947-05	415-52947-05
LP to Nat. Gas Conversion Kit	265-53621-46	265-53621-48	265-53621-12	265-53621-43	---
LP to Nat. Gas High Altitude Conversion Kit	265-53621-79	265-53621-80	265-53621-67	265-53621-77	---

*Applies to all warranties

**Inner door gasket kit recommended

***Ordering a complete burner assembly may increase delivery time.
Please order the specific component required for the quickest delivery.

▲ Order with item 2

▲▲ Order with item 5

#Anode may need to be cut to length



United States

Sales 1-800-523-2931
Technical Support 1-800-334-3393
Email techsupport@bradfordwhite.com
Warranty 1-800-531-2111
Email warranty@bradfordwhite.com
Service Parts 1-800-538-2020
Email parts@bradfordwhite.com

Canada

Sales 1-866-690-0961 1-905-203-0600
Fax 905-636-0666
Warranty 1-800-531-2111
Email warranty@bradfordwhite.com
Technical Support 1-800-334-3393
Email techsupport@bradfordwhite.com
Service Parts and Orders ca.orders@bradfordwhite.com

For U.S. and Canada field service, contact your professional installer or local Bradford White sales representative.

International

General Contact international@bradfordwhite.com