



RESIDENTIAL CONDENSING REPLACEMENT PARTS LIST

Power Vent Models



Models Covered:
RC2PV50H*N
LC2PV50H7*N
RC2PV50H*X
LC2PV50H7*X
*Denotes warranty year

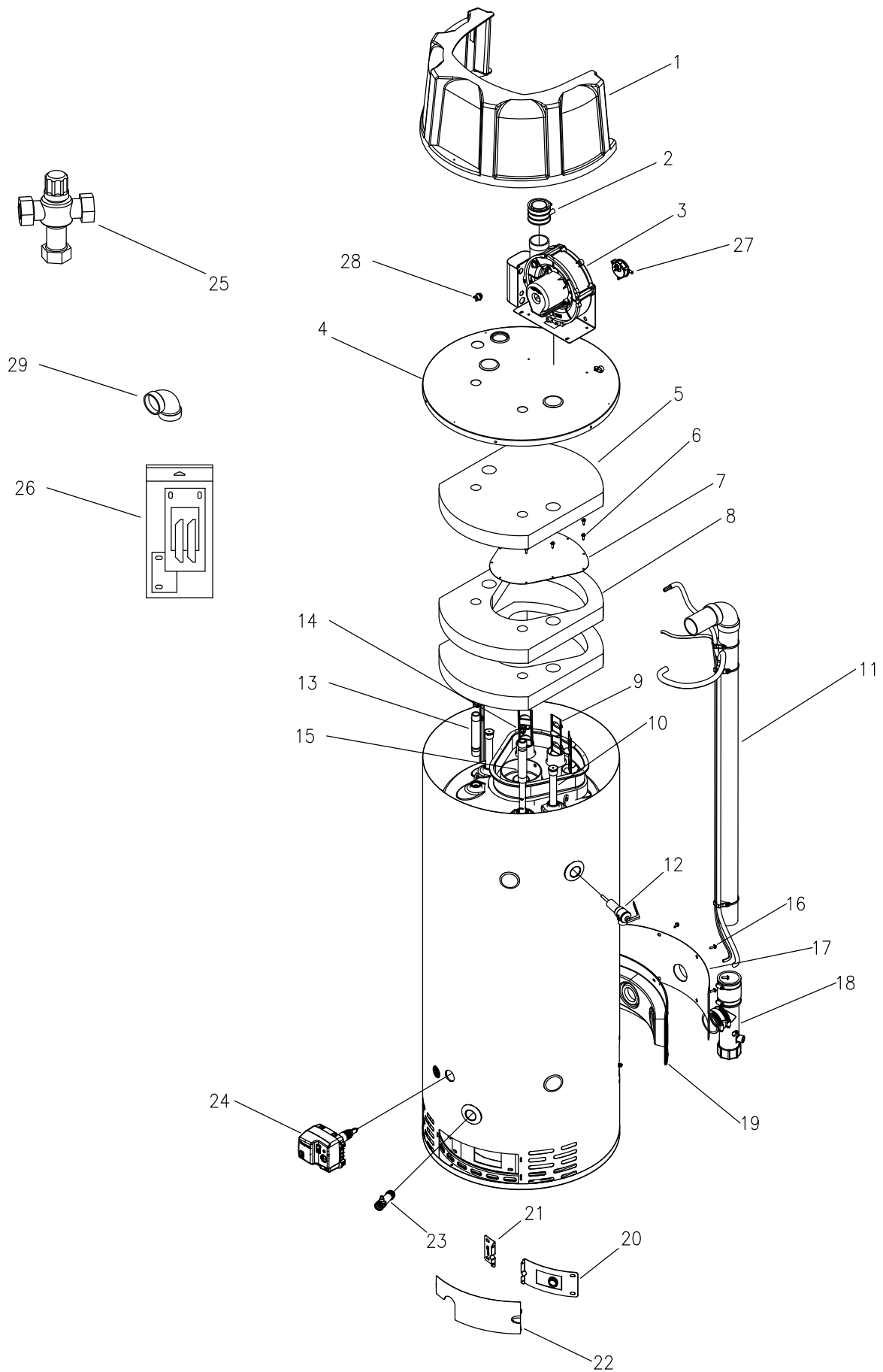
Effective: April, 2024
ECO 8780

**NOTE: BOTH MODEL AND SERIAL
NUMBERS ARE REQUIRED FOR
ORDERING REPLACEMENT PARTS**

Dimensions and specifications
subject to change without notice.

WARNING
CANCER AND REPRODUCTIVE HARM
WWW.P65WARNINGS.CA.GOV

As required by the state of California Proposition 65.

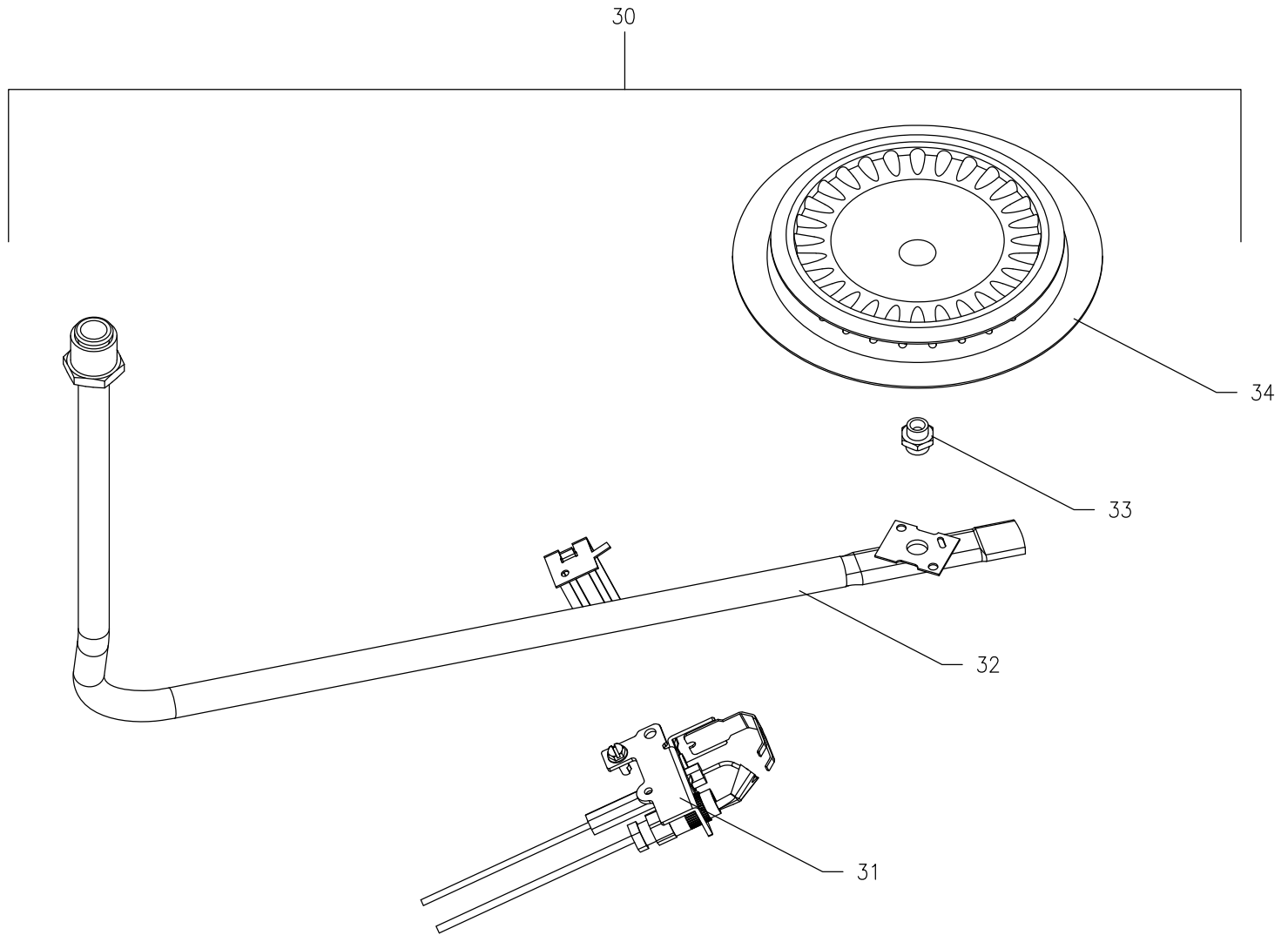


Item	Description	Model	Model	Model	Model
		RC2PV50H6N	LC2PV50H763N	RC2PV50H6X	LC2PV50H763X
1	Surround	239-50864-00	239-50864-00	239-50864-00	239-50864-00
2	2" Exhaust Adapter	239-50874-00	239-50874-00	239-50874-00	239-50874-00
3	Blower	239-50844-00	239-50844-00	239-50844-00	239-50844-00
	Blower (Hi-Alt)	239-51740-00	239-51740-00	239-51740-00	239-51740-00
4	Jacket Head	239-50847-00	239-50847-00	239-50847-00	239-50847-00
5	Jacket Head Insulation	226-50839-00	226-50839-00	226-50839-00	226-50839-00
6	Screw #8-18 x 1/2 (qty. 10)	239-32761-00	239-32761-00	239-32761-00	239-32761-00
7	Flue Collector Assembly	239-50849-00	239-50849-00	239-50849-00	239-50849-00
8	Collector Insulation (qty. 2)	226-50841-00	226-50841-00	226-50841-00	226-50841-00
9	Flue Baffle	239-50826-00	239-50826-00	239-50826-00	239-50826-00
10	Hex Head Anode (A420 Aluminum) (qty. 2) #	415-55487-00	415-55487-00	415-55487-00	415-55487-00
11	Vent Pipe Assembly	239-50846-01	239-50846-01	239-50846-01	239-50846-01
	Intake Assembly	239-53268-00	239-53268-00	239-53268-00	239-53268-00
12	T&P Relief Valve	415-40594-02	415-40594-02	415-40594-02	415-40594-02
13	Hot Water Outlet Nipple	229-32762-28	229-32762-28	229-32762-28	229-32762-28
14	Heat Trap Insert Kit (qty. 2)	265-45420-00	265-45420-00	265-45420-00	265-45420-00
15	Cold Water Inlet Polysulfone	229-45092-10	229-45092-11	229-45092-10	229-45092-11
16	Screw #10-12 x 3/4" (qty. 8)	239-52581-00	239-51224-00	239-51224-00	239-51224-00
17	Exhaust Cover	239-51632-00	239-51632-00	239-51632-00	239-51632-00
18	Condensate Tee	239-54723-00	239-54723-00	239-54723-00	239-54723-00
19	Exhaust Gasket	239-50854-00	239-50854-00	239-50854-00	239-50854-00
20	Right Side Inner Door*	239-45642-20	239-45642-20	239-45642-20	239-45642-20
21	Left Side Inner Door*	239-43968-20	239-43968-20	239-43968-20	239-43968-20
22	Outer Door	243-43962-00	243-43962-00	243-43962-00	243-43962-00
23	Brass Drain Valve	415-42351-02	415-42351-02	415-42351-02	415-42351-02
24	Gas Valve	239-48795-02	239-48795-04	239-48796-02	239-48796-04
25	ASSE Approved Mixing Valve (Optional)	239-51778-00	239-51778-00	239-51778-00	239-51778-00
26	Inner Door Gasket Kit	239-44078-00	239-44078-00	239-44078-00	239-44078-00
27	Pressure Switch (-1.70" W.C. ±0.06)	415-51233-01	415-51233-01	415-51233-01	415-51233-01
	Pressure Switch (Hi-Alt) (-1.30" W.C. ±0.06)	239-51233-02	239-51233-02	239-51233-02	239-51233-02
28	Blower Temperature Switch	415-48752-00	415-48752-00	415-48752-00	415-48752-00
29	2" Vent Elbow	239-51794-00	239-51794-00	239-51794-00	239-51794-00

* Inner door gasket kit recommended

Order the specific component required for the quickest delivery.

Anode may need to be cut to length



Item	Description	Model	Model	Model	Model
		RC2PV50H6N	LC2PV50H763N	RC2PV50H6X	LC2PV50H763X
30	Burner Assembly**	265-47784-04-21	265-47784-04-21	265-47376-04-40	265-47376-04-40
	Burner Assembly High Altitude 2,001 Ft. to 7,000 Ft. (-475 model suffixes)**	265-47784-04-26	265-47784-04-26	265-47376-04-42	265-47376-04-42
31	Pilot*	415-45653-05	415-45653-05	415-45653-05	415-45653-05
32	Feedline*	233-47374-05	233-47374-05	233-47672-05	233-47672-05
33	Orifice*	234-41034-21	234-41034-21	234-47064-40	234-47064-40
	High Altitude Orifice 2,001 Ft. to 7,000 Ft. (-475 model suffixes)**	234-41034-26	234-41034-26	234-47064-42	234-47064-42
34	Burner*	228-42506-00	228-42506-00	228-47000-00	228-47000-00

* Inner door gasket kit recommended

** Ordering a complete burner assembly may increase delivery time.



United States

Sales 1-800-523-2931
Technical Support 1-800-334-3393
Email techsupport@bradfordwhite.com
Warranty 1-800-531-2111
Email warranty@bradfordwhite.com
Service Parts 1-800-538-2020
Email parts@bradfordwhite.com

Canada

Sales 1-866-690-0961 1-905-203-0600
Fax 905-636-0666
Warranty 1-800-531-2111
Email warranty@bradfordwhite.com
Technical Support 1-800-334-3393
Email techsupport@bradfordwhite.com
Service Parts and Orders ca.orders@bradfordwhite.com

For U.S. and Canada field service, contact your professional installer or local Bradford White sales representative.

International

General Contact international@bradfordwhite.com