



BRADFORD WHITE[®]
W A T E R H E A T E R S

**LIGHT DUTY COMMERCIAL GAS
REPLACEMENT PARTS LIST**

**Ultra Low NOx High-Input
Atmospheric Vent Models**



Models Covered:
URG275H*N
URG2100H*N
ULG275H76*N
ULG2100H85*N
*Denotes warranty year

Includes Hydrojet[®]
Total Performance System

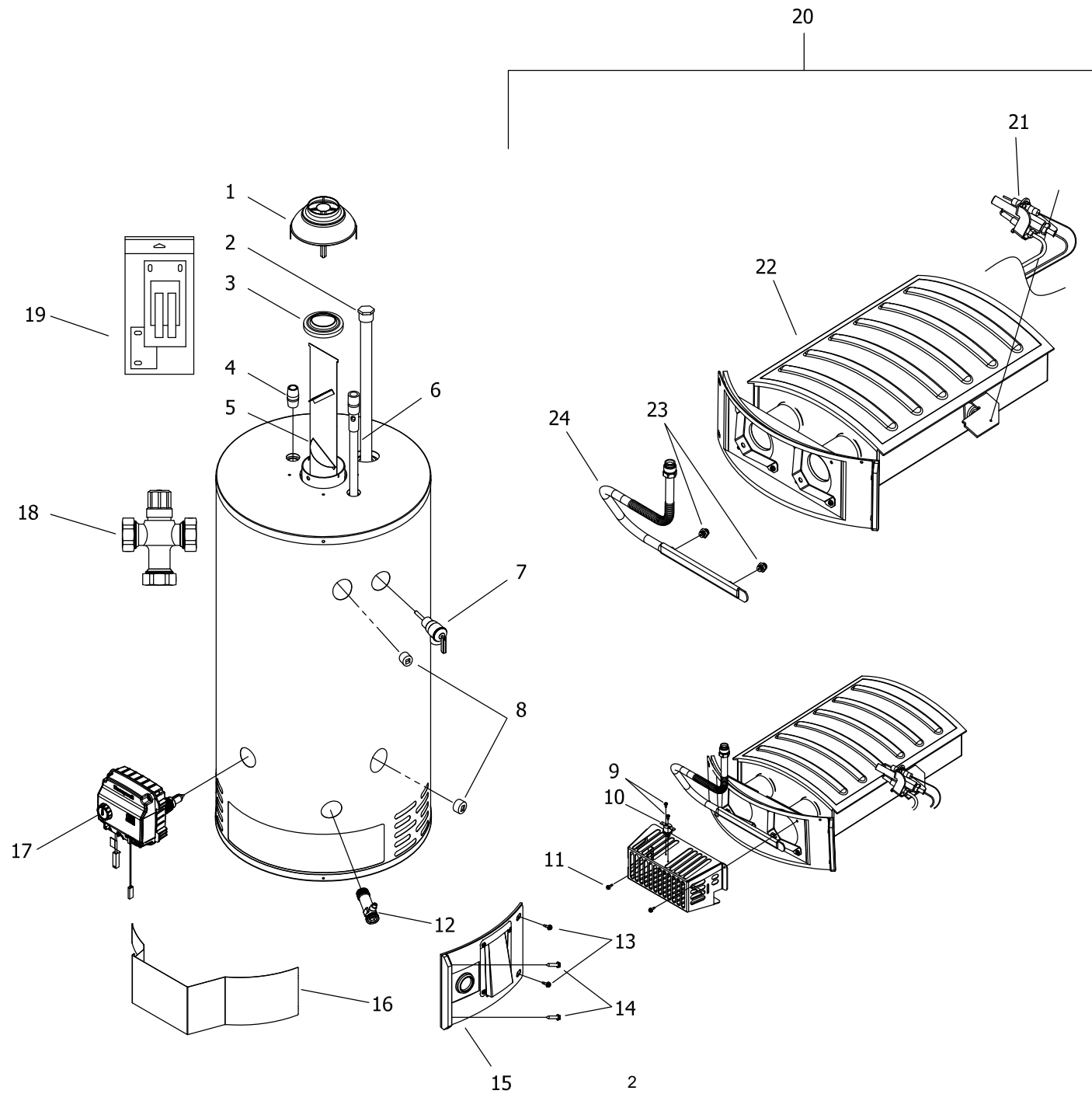
Effective: October, 2024
ECO 8780

**NOTE: BOTH MODEL AND SERIAL
NUMBERS ARE REQUIRED FOR
ORDERING REPLACEMENT PARTS**

Dimensions and specifications
subject to change without notice.

WARNING
CANCER AND REPRODUCTIVE HARM
WWW.P65WARNINGS.CA.GOV

As required by the state of California Proposition 65.



Item	Description	Model URG275H*N	Model ULG275H76*N
1	Draft Diverter	239-53655-00	239-53655-00
2	Hex Head Sacrificial Anode (Magnesium) #	415-55483-00	415-55483-00
	Hex Head Sacrificial Anode (Aluminum) #	415-55485-00	415-55485-00
	Hex Head Sacrificial Anode (A420 Aluminum) #	415-55487-00	415-55487-00
3	Draft Diverter Adapter	239-49757-00	239-49757-00
4	Outlet Nipple	415-50053-02	415-50053-02
5	Baffle	239-53683-00	239-53683-00
6	Diptube (Polysulfone)	229-53687-01	229-53687-01
7	T&P Relief Valve	415-40594-02	415-40594-02
8	3/4 NPT Pipe Plug	239-11638-00	239-11638-00
9	#6-20 X 3/8 Screw	239-43967-00	239-43967-00
10	Resettable Thermal Switch	415-43676-03	415-43676-03
11	#8-18 X 1/2 Screw	239-32761-00	239-32761-00
12	Brass Drain Valve	415-42351-02	415-42351-02
13	#10-12 X 3/4 Screw	239-51828-00	239-51828-00
14	#8-18 X 1/2 Screw	239-32761-00	239-32761-00
15	Right Side Inner Door Assembly	239-49804-22	239-49804-22
16	Outer Door	239-49092-00	239-49092-00
17	Gas Control Direct Replacement Natural Gas	415-52913-02	415-52914-01
18	ASSE Approved Mixing Valve	239-51778-00	239-51778-00
19	Inner Door Gasket Kit	239-49987-00	239-49987-00
Natural Gas Burner Assembly			
20	Nat Gas Burner Assembly Complete***	265-49907-01-38	265-49907-01-38
21	Nat. Gas Pilot Assembly**	233-49870-01	233-49870-01
22	Nat. Gas Burner **	228-49859-01	228-49859-01
23	Nat. Gas Main Burner Orifice 0 Ft. to 2,000 Ft. (x2) **	234-41034-38	234-41034-38
	Nat. Gas High Alt. 2,001 Ft. to 7000 Ft. (-475 model suffixes) (x2) **	234-41034-42	234-41034-42
	Nat. Gas High Alt. Kit 7,001 Ft. to 10,000 Ft.	265-51315-01-44	265-51315-01-44
24	Feedline	265-49091-00	265-49091-00

* Applies to all warranties

** Order with Item# 19

*** Ordering a complete burner assembly may increase delivery time.
Please order the specific component required for the quickest delivery.

Anode may need to be cut to length. See page 6.

Item	Description	Model	Model
		URG2100H*N	ULG2100H80*N
1	Draft Diverter [∩]	239-52134-00	239-52134-00
	Draft Diverter Only ^Σ	239-52089-00-16	239-52089-00-16
2	Draft Diverter Leg Kit Only ^Σ	243-43689-03	243-43689-03
3	Draft Diverter Complete with Leg Kit ^Σ	265-52089-00	265-52089-00
4	Hex Head Sacrificial Anode (Magnesium) #	415-55483-00	415-55483-00
	Hex Head Sacrificial Anode (Aluminum) #	415-55485-00	415-55485-00
	Hex Head Sacrificial Anode (A420 Aluminum) #	415-55487-00	415-55487-00
5	Outlet Nipple	229-40913-03	229-40913-03
6	Flue Core	239-45676-00	239-45676-00
7	Diptube (Polysulfone)	415-46993-01	415-46993-01
8	T&P Relief Valve	415-40594-02	415-40594-02
9	3/4 NPT Pipe Plug	239-11638-00	239-11638-00
10	#6-20 X 3/8 Screw	239-43967-00	239-43967-00
11	Resettable Thermal Switch	415-43676-03	415-43676-03
12	#8-18 X 1/2 Screw	239-32761-00	239-32761-00
13	#10-12 X 3/4 Screw	239-52581-00	239-52581-00
14	Right Side Inner Door Assembly	239-49804-24	239-49804-24
15	Cleanout Gasket	205-18427-00	205-18427-00
16	Tank Cleanout Door	205-18428-00	205-18428-00
17	Tank Cleanout Door 5/16 X 1/2" Hex Head Screw	239-82166-00	239-82166-00
18	Cleanout Cover	243-20299-00	243-20299-00
19	Screw-8-15 X 3/4 INHXWS Slot	239-44195-00	239-44195-00
20	Brass Drain Valve	415-42351-02	415-42351-02
21	Outer Door	239-49092-00	239-49092-00
22	Gas Control Direct Replacement Natural Gas	415-52913-02	415-52913-02
23	ASSE Approved Mixing Valve	239-51778-00	239-51778-00
24	Inner Door Gasket Kit	239-49987-00	239-49987-00
Natural Gas Burner Assembly			
25	Nat Gas Burner Assembly Complete***	265-49907-04-35	265-49907-04-35
26	Nat. Gas Pilot Assembly**	233-49870-02	233-49870-02
27	Nat. Gas Burner	228-49859-04	228-49859-04
28	Nat. Gas Main Burner Orifice 0 Ft. to 2,000 Ft. (x2) **	234-41034-35	234-41034-35
	Nat. Gas High Alt. 2,001 Ft. to 7000 Ft. (-475 model suffixes) (x2) **	234-41034-39	234-41034-39
	Nat. Gas High Alt. Kit 7,001 Ft. to 10,000 Ft.	265-51315-02-42	265-51315-02-42
29	Feedline	233-49091-00	233-49091-00
30	Kit-Cleanout (Not For Use With ASME Tanks)	415-54256-00	415-54256-00

* Applies to all warranties

** Order with Item# 18

*** Ordering a complete burner assembly may increase delivery time.

Please order the specific component required for the quickest delivery.

Anode may need to be cut to length. See page 6.

[∩] For serial numbers starting before "ND"

^Σ For serial numbers starting with or after "ND"



United States

Sales 1-800-523-2931
Technical Support 1-800-334-3393
Email techsupport@bradfordwhite.com
Warranty 1-800-531-2111
Email warranty@bradfordwhite.com
Service Parts 1-800-538-2020
Email parts@bradfordwhite.com

Canada

Sales 1-866-690-0961 1-905-203-0600
Fax 905-636-0666
Warranty 1-800-531-2111
Email warranty@bradfordwhite.com
Technical Support 1-800-334-3393
Email techsupport@bradfordwhite.com
Service Parts and Orders ca.orders@bradfordwhite.com

For U.S. and Canada field service, contact your professional installer or local Bradford White sales representative.

International

General Contact international@bradfordwhite.com