



Light Duty Commercial Gas Replacement Parts List “RG” & “LG” Atmospheric Vent Models



Models Covered:
RG(155, 255)H*(N,X)
RG(250, 275)H*(N,X)(-500, -600)
RG2100H*(N,X)(-500, -600)
LG(155, 255)H80*(N,X)
LG250H65*(N,X)(-500, -600)
LG275H76*(N,X)(-500, -600)
LG2100H*85(N,X)(-500, -600)
*Denotes warranty year

Includes Hydrojet®
Total Performance System

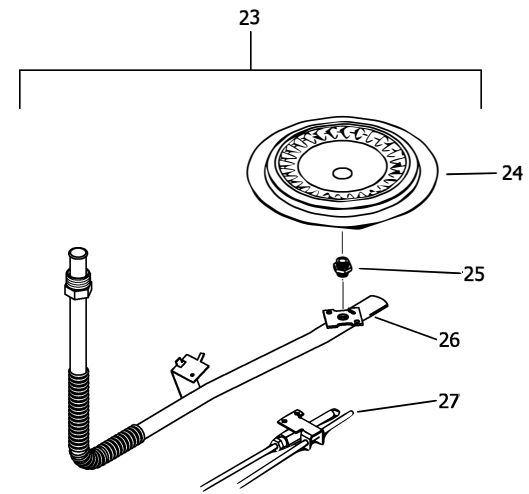
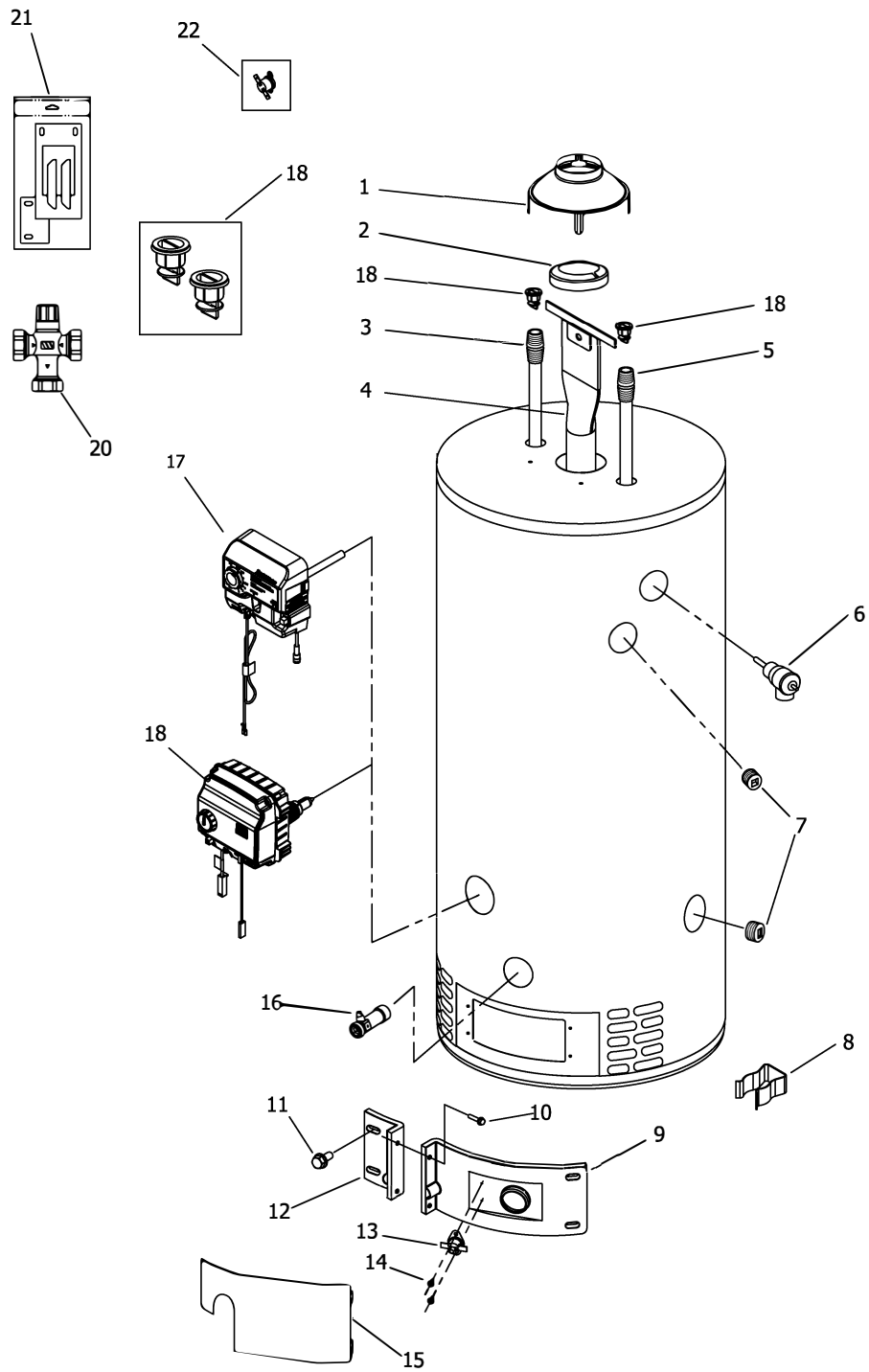
Effective: October, 2024
ECO 8780

**NOTE: BOTH MODEL AND SERIAL
NUMBERS ARE REQUIRED FOR
ORDERING REPLACEMENT PARTS**

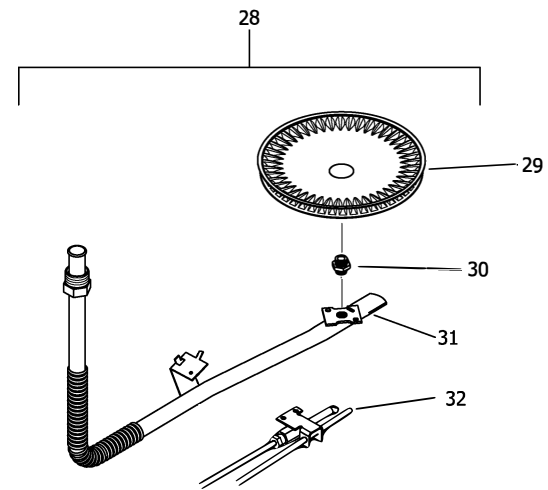
Dimensions and specifications
subject to change without notice.



As required by the state of California Proposition 65.



NATURAL GAS BURNER ASSEMBLY



LP GAS BURNER ASSEMBLY

Item	Description	Model	Model	Model	Model
		RG250H*(N,X)	LG250H65*(N,X)	RG250H*(N,X)-600	LG250H65*(N,X)-600
1	Draft Diverter	239-33081-02-20-15	239-33081-02-20-15	239-33081-02-20-15	239-33081-02-20-15
2	Flue Reducer	243-42572-00	243-42572-00	243-42572-00	243-42572-00
3	Hot Water Outlet Anode (Magnesium) ▲#	415-55482-00	415-55482-00	415-55482-00	415-55482-00
	Hot Water Outlet (Aluminum) ▲#	415-55484-00	415-55484-00	415-55484-00	415-55484-00
	Hot Water Outlet (A420 Aluminum) ▲#	415-55486-00	415-55486-00	415-55486-00	415-55486-00
4	Flue Core	239-51837-00	239-51837-00	239-51837-00	239-51837-00
5	Cold Water Inlet Dip Tube (PEX) ▲	415-45092-06	415-45092-08	415-45092-06	415-45092-08
6	T&P Relief Valve	415-40594-02	415-40594-02	415-40594-02	415-40594-02
7	3/4 NPT Pipe Plug	239-11638-00	239-11638-00	239-11638-00	239-11638-00
8	Feedline Clip	239-47475-00	239-47475-00	239-47475-00	239-47475-00
9	Right Side Inner Door Complete	239-43963-07	239-43963-07	239-43963-07	239-43963-07
10	Screw-#8-15 x 3/4 INHXWS	239-44195-00	239-44195-00	239-44195-00	239-44195-00
11	Screw-#10-12 x 3/4 HWH	239-52581-00	239-52581-00	239-52581-00	239-52581-00
12	Left Side Inner Door Complete	239-43968-18	239-43968-18	239-43968-18	239-43968-18
13	Resettable Thermal Switch	415-43676-02	415-43676-02	415-43676-02	415-43676-02
14	Screw-#6-20 x 3/8 PHCR	239-43967-00	239-43967-00	239-43967-00	239-43967-00
15	Outer Door	239-43962-00	239-43962-00	239-43962-00	239-43962-00
16	Brass Drain Valve	415-42351-02	415-42351-02	415-42351-02	415-42351-02
17	Resideo Gas Control Direct Replacement (Natural Gas)	415-52907-02	415-52908-02	---	---
	Resideo Gas Control Direct Replacement (LP Gas)	415-52909-02	415-52910-02	---	---
	Resideo Gas Control Universal Replacement (Nat. Gas)	415-53359-00	415-53359-00	---	---
	Resideo Gas Control Universal Replacement (LP Gas)	415-53360-00	415-53360-00	---	---
18	SIT Gas Control Direct Replacement (Natural Gas)	---	---	415-52944-02	415-53011-02
	SIT Gas Control Direct Replacement (LP Gas)	---	---	415-52945-02	415-53014-02
19	Kit-Heat Trap Insert (Inlet & Outlet)	265-45420-00	265-51572-00	265-45420-00	265-51572-00
20	ASSE Approved Mixing Valve (Optional)	239-51778-00	239-51778-00	239-51778-00	239-51778-00
21	Inner Door Gasket Kit	239-44078-00	239-44078-00	239-44078-00	239-44078-00
22	Resettable Thermal Switch Kit (1 pcs.)	415-43676-02	415-43676-02	415-43676-02	415-43676-02
Natural Gas Burner Assembly					
23	Nat Gas Burner Assembly Complete*** **	265-47439-05-27	265-47439-05-27	265-53623-04-27	265-53623-04-27
24	Nat. Gas Burner**	228-42506-00	228-42506-00	228-42506-00	228-42506-00
25	Nat. Gas Main Burner Orifice** (0 Ft. to 2,000 Ft.)	234-41034-27	234-41034-27	234-41034-27	234-41034-27
	Nat. Gas High Altitude Orifice 2,001 Ft. to 7000 Ft. (-475 model suffixes)**	234-41034-30	234-41034-30	234-41034-30	234-41034-30
	Nat. Gas High Altitude Kit 7,001 Ft. to 10,000 Ft.	265-51311-02-31	265-51311-02-31	265-51311-02-31	265-51311-02-31
26	Feedline	233-48094-04	233-48094-04	233-48094-04	233-48094-04
27	Nat. Gas Pilot Assembly**	415-47845-05	415-47845-05	415-52946-05	415-52946-05
LP Gas Burner Assembly					
28	LP Gas Burner Assembly Complete*** **	265-47440-12-43	265-47440-12-43	265-53637-03-43	265-53637-03-43
29	LP Gas Burner**	228-47000-00	228-47000-00	228-47000-00	228-47000-00
30	LP Gas Main Burner Orifice**	234-47064-43	234-47064-43	234-47064-43	234-47064-43
	LP Gas High Altitude Orifice 2,001 Ft. to 7,000 Ft. (-475 model suffixes)**	234-47064-46	234-47064-46	234-47064-46	234-47064-46
	LP Gas High Altitude Orifice 7,001 Ft. to 10,000 Ft.**	265-51367-02-48	265-51367-02-48	265-51367-02-48	265-51367-02-48
31	Feedline	233-47108-04	233-47108-04	233-47108-04	233-47108-04
32	LP Gas Pilot Assembly**	233-47846-04	233-47846-04	415-52947-05	415-52947-05
	LP to Nat. Gas Conversion Kit	265-53745-82	265-53745-86	265-53621-50	265-53621-54
	LP to Nat. Gas High Altitude Conversion Kit (-475 model suffixes)	265-53745-83	265-53745-87	265-53621-51	265-53621-55

* Applies to all warranties

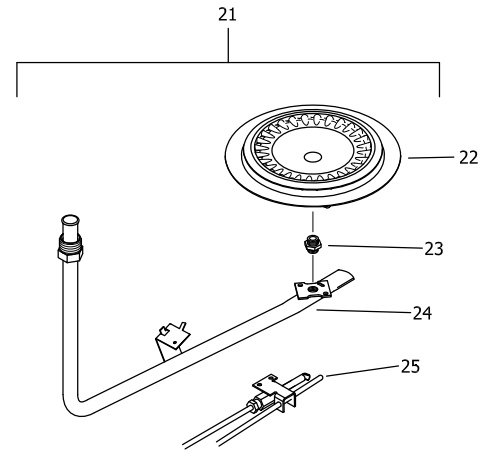
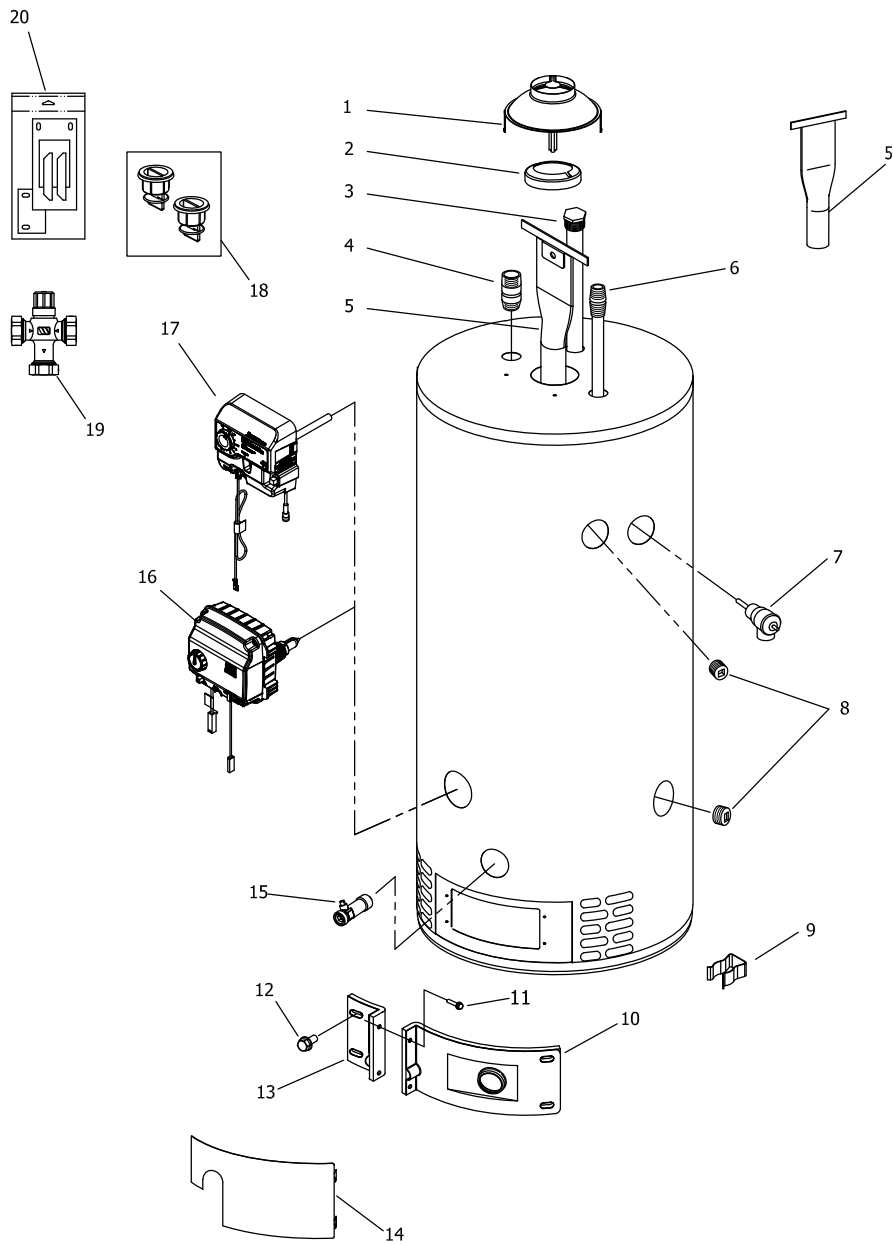
** Inner door gasket kit recommended

*** Ordering a complete burner assembly may increase delivery time.

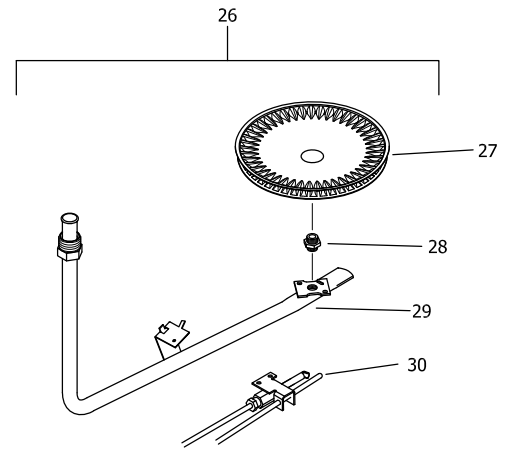
Please order the specific component required for the quickest delivery.

Anode may need to be cut to length; see end of this parts list for further information.

▲ Order with item 19



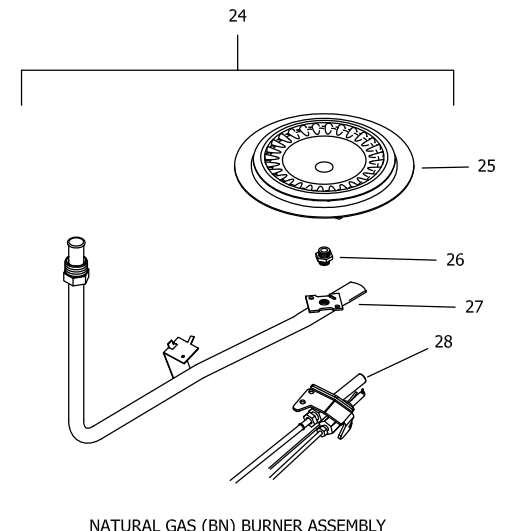
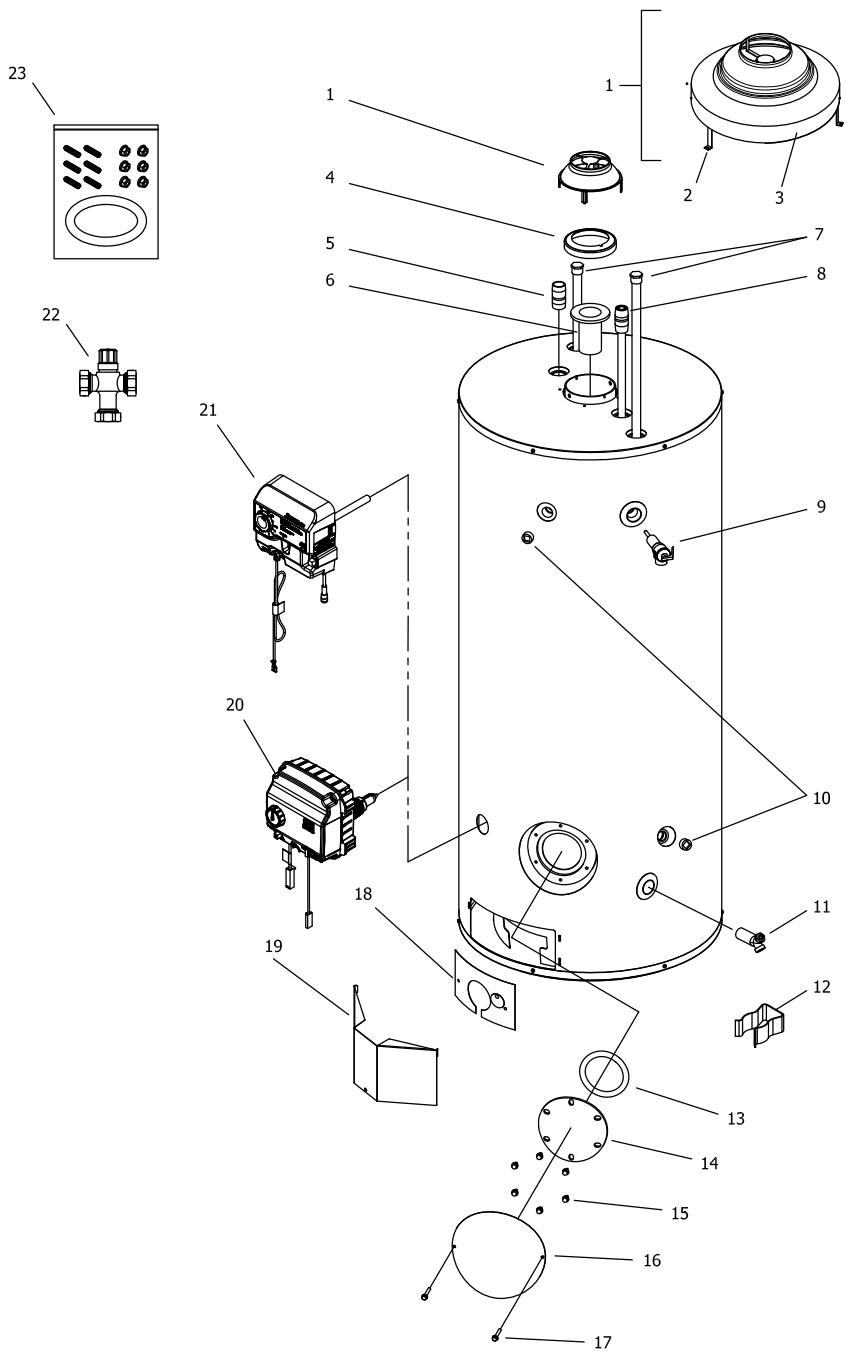
NATURAL GAS BURNER ASSEMBLY



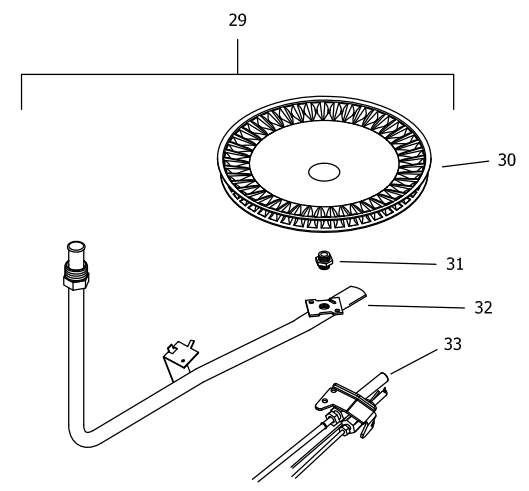
LP GAS BURNER ASSEMBLY

Item	Description	Model RG275H*(N,X)	Model LG275H76*(N,X)	Model RG275H*(N,X)-600	Model LG275H76*(N,X)-600
1	Draft Diverter ■	239-12950-00	239-12950-00	239-12950-00	239-12950-00
	Draft Diverter ►	239-33081-02-20-16	239-33081-02-20-16	239-33081-02-20-16	239-33081-02-20-16
	Draft Diverter ▲	239-53655-00	239-53655-00	239-53655-00	239-53655-00
2	Flue Reducer	243-42572-00	243-42572-00	243-42572-00	243-42572-00
3	Hex Head Sacrificial Anode (Magnesium) ● #	415-55483-00	415-55483-00	415-55483-00	415-55483-00
	Hex Head Sacrificial Anode (Aluminum) ●#	415-55484-00	415-55484-00	415-55484-00	415-55484-00
	Hex Head Sacrificial Anode (A420 Aluminum) ●#	415-55487-00	415-55487-00	415-55487-00	415-55487-00
4	Outlet Nipple 1 NPT X 2 1/2"	415-50053-02	415-50053-02	415-50053-02	415-50053-02
5	Flue Core ►	239-50666-00	239-50666-00	239-50666-00	239-50666-00
	Flue Core ▲	239-53137-00	239-53137-00	239-53137-00	239-53137-00
6	Cold Water Inlet Dip Tube (Polysulfone)	415-47040-01	415-47040-01	415-47040-01	415-47040-01
7	T&P Relief Valve	415-40594-02	415-40594-02	415-40594-02	415-40594-02
8	3/4 NPT Pipe Plug	239-11638-00	239-11638-00	239-11638-00	239-11638-00
9	Feedline Clip	239-47475-00	239-47475-00	239-47475-00	239-47475-00
10	Right Side Inner Door Complete	239-47504-22	239-47504-22	239-47504-22	239-47504-22
11	Screw-#8-15 x 3/4 INHXWS	239-44195-00	239-44195-00	239-44195-00	239-44195-00
12	Screw-#10-12 x 3/4 HWH	239-52581-00	239-52581-00	239-52581-00	239-52581-00
13	Left Side Inner Door Complete	239-43968-20	239-43968-20	239-43968-20	239-43968-20
14	Outer Door	239-43962-00	239-43962-00	239-43962-00	239-43962-00
15	Brass Drain Valve	415-42351-02	415-42351-02	415-42351-02	415-42351-02
16	Resideo Gas Control Direct Replacement (Natural Gas)	415-53361-03	415-53361-05	---	---
	Resideo Gas Control Direct Replacement (LP Gas)	415-53361-04	415-53361-06	---	---
17	SIT Gas Control Direct Replacement (Natural Gas)	---	---	415-53678-03	415-53678-05
	SIT Gas Control Direct Replacement (LP Gas)	---	---	415-53678-04	415-53678-06
18	Kit-Heat Trap Insert (Inlet & Outlet)	265-51572-00	265-51572-00	265-51572-00	265-51572-00
19	ASSE Approved Mixing Valve (Optional)	239-51778-00	239-51778-00	239-51778-00	239-51778-00
20	Inner Door Gasket Kit	239-47792-00	239-47792-00	239-47792-00	239-47792-00
Natural Gas Burner Assembly					
21	Nat Gas Burner Assembly Complete***	265-48110-05-22	265-48110-05-22	265-53642-02-22	265-53642-02-22
22	Nat. Gas Burner **	228-47000-00	228-47000-00	228-47000-00	228-47000-00
23	Nat. Gas Main Burner Orifice 0 Ft. to 2,000 Ft.**	234-41034-22	234-41034-22	234-41034-22	234-41034-22
	Nat. Gas High Altitude 2,001 Ft. to 7000 Ft. (-475 model suffixes) **	234-41034-27	234-41034-27	234-41034-27	234-41034-27
	Nat. Gas High Altitude Kit 7,001 Ft. to 10,000 Ft.	265-51311-01-29	265-51311-01-29	265-51311-01-29	265-51311-01-29
24	Feedline **	233-48095-04	233-48095-04	233-48095-04	233-48095-04
25	Nat. Gas Pilot Assembly **	233-48077-03	233-48077-03	415-53604-01	415-53604-01
LP Gas Burner Assembly					
26	LP Gas Burner Assembly Complete***	265-48254-02-38	265-48254-02-38	265-53643-02-38	265-53643-02-38
27	LP Gas Burner **	228-46938-00	228-46938-00	228-46938-00	228-46938-00
28	LP Gas Main Burner Orifice 0 Ft. to 2,000 Ft.**	234-47064-38	234-47064-38	234-47064-38	234-47064-38
	LP Gas High Altitude 2,001 Ft. to 7,000 Ft. (-475 model suffixes) **	234-47064-42	234-47064-42	234-47064-42	234-47064-42
	LP Gas High Altitude Kit 7,001 Ft. to 10,000 Ft.	265-51367-03-44	265-51367-03-44	265-51367-03-44	265-51367-03-44
29	Feedline **	233-47677-04	233-47677-04	233-47677-04	233-47677-04
30	LP Gas Pilot Assembly **	233-48078-03	233-48078-03	415-53605-01	415-53605-01
	LP to Nat. Gas Conversion Kit	265-53403-07	265-53403-09	265-53632-23	265-53632-25
	LP to Nat. Gas High Altitude Conversion Kit	265-53403-11	265-53403-11	265-53632-24	265-53632-27

- For serial numbers starting before "TA42690692"
 - For serial numbers starting with "TA42693470" to "XE47931831"
 - ▲ For serial numbers starting with or after "XE47931831"
 - # Anode may need to be cut to length; see end of this parts list for further information.
 - * Applies to all warranties
 - ** Inner door gasket kit recommended
 - *** Ordering a complete burner assembly may increase delivery time.
- Please order the specific component required for the quickest delivery.
- Order with item 18



NATURAL GAS (BN) BURNER ASSEMBLY



LP GAS (SX) BURNER ASSEMBLY

Item	Description	Model	Model	Model
		RG2100H*(N,X)	LG2100H*85(N,X)	RG2100H*(N,X)-600
1	Draft Diverter Assembly Kit ▶	265-52089-00	265-52089-00	265-52089-00
2	Draft Diverter Leg Kit Only▶	243-43689-03	243-43689-03	243-43689-03
3	Draft Diverter Only▶	239-52089-00-16	239-52089-00-16	239-52089-00-16
4	Flue Reducer	243-36920-00	243-36920-00	243-36920-00
5	Outlet Nipple	229-40913-03	229-40913-03	229-40913-03
6	Flue Core ▶	239-52063-00	239-52063-00	239-52063-00
7	Hex Head Sacrificial Anode (x2) (Magnesium) #	415-55483-00	415-55483-00	415-55483-00
	Hex Head Sacrificial Anode (x2) (Aluminum) #	415-55484-00	415-55484-00	415-55484-00
	Hex Head Sacrificial Anode (x2) (A420 Aluminum) #	415-55487-00	415-55487-00	415-55487-00
8	Cold Water Inlet Dip Tube (Polysulfone)	415-46993-01	415-46993-01	415-46993-01
9	T&P Relief Valve	415-40594-02	415-40594-02	415-40594-02
10	3/4 NPT Pipe Plug	239-11638-00	239-11638-00	239-11638-00
11	Brass Drain Valve	415-42351-02	415-42351-02	415-42351-02
12	Feedline Clip	239-47475-00	239-47475-00	239-47475-00
13	Cleanout O-Ring Gasket	205-18427-00	205-18427-00	205-18427-00
14	Cleanout Cover	205-18428-00	205-18428-00	205-18428-00
15	Cleanout Screw 5/16-18x1/2 hex (x6)	239-82166-00	239-82166-00	239-82166-00
16	Cleanout Jacket Cover	243-20299-00	243-20299-00	243-20299-00
17	Cleanout Jacket Cover Screw 1/2-13x1 1/4 (x2)	239-43251-00	239-43251-00	239-43251-00
18	Inner Door Complete	243-39207-00	243-39207-00	243-39207-00
19	Outer Door	243-37177-00	243-37177-00	243-37177-00
20	Resideo Gas Control Direct Replacement (Natural Gas)	415-53361-03	415-53361-05	---
	Resideo Gas Control Direct Replacement (LP Gas)	415-53361-04	415-53361-06	---
21	SIT Gas Control Direct Replacement (Natural Gas)	---	---	415-53678-03
	SIT Gas Control Direct Replacement (LP Gas)	---	---	415-53678-04
22	ASSE Approved Mixing Valve (Optional)	239-51778-00	239-51778-00	239-51778-00
23	Kit-Cleanout (Not for Use With ASME Tanks)	415-54256-00	415-54256-00	415-54256-00
Natural Gas Burner Assembly				
24	Nat Gas Burner Assembly Complete***	265-52024-00-18	265-52024-00-18	265-53648-00-18
25	Nat. Gas Burner **	228-52013-00	228-52013-00	228-52013-00
26	Nat. Gas Main Burner Orifice 0 Ft. to 2,000 Ft.**	234-41034-18	234-41034-18	234-41034-18
	Nat. Gas High Altitude 2,001 Ft. to 7000 Ft. (-475 model suffixes) **	234-41034-22	234-41034-22	234-41034-22
	Nat. Gas High Altitude Kit 7,001 Ft. to 10,000 Ft.	265-51311-03-27	265-51311-03-27	265-51311-03-27
27	Feedline **	233-48209-01	233-48209-01	233-48209-01
28	Nat. Gas Pilot Assembly **	233-48077-03	233-48077-03	415-53604-01
LP Gas Burner Assembly				
29	LP Gas Burner Assembly Complete***	265-48255-01-35	265-48255-01-35	265-53630-01-35
30	LP Gas Burner **	228-46938-00	228-46938-00	228-46938-00
31	LP Gas Main Burner Orifice 0 Ft. to 2,000 Ft.**	234-47064-35	234-47064-35	234-47064-35
	LP Gas High Altitude 2,001 Ft. to 7,000 Ft. (-475 model suffixes) **	234-47064-39	234-47064-39	234-47064-39
	LP Gas High Altitude Kit 7,001 Ft. to 10,000 Ft.	265-51367-01-42	265-51367-01-42	265-51367-01-42
32	Feedline **	233-47065-02	233-47065-02	233-47065-02
33	LP Gas Pilot Assembly **	233-48078-03	233-48078-03	415-53605-01
	LP to Nat. Gas Conversion Kit	265-53403-02	265-53403-01	265-53632-08
	LP to Nat. Gas High Altitude Conversion Kit	265-53403-12	265-53403-12	265-53632-38

▶ For serial numbers starting with or after "ND"

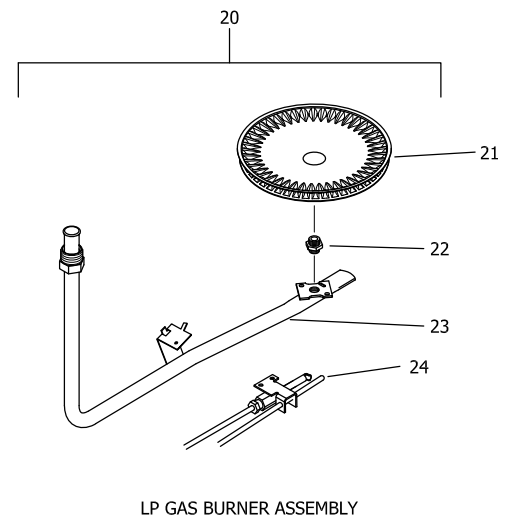
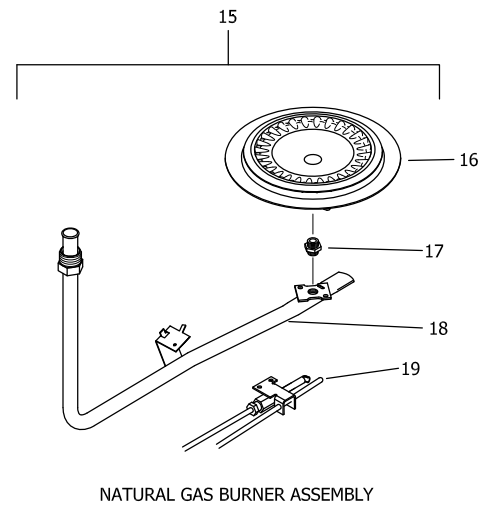
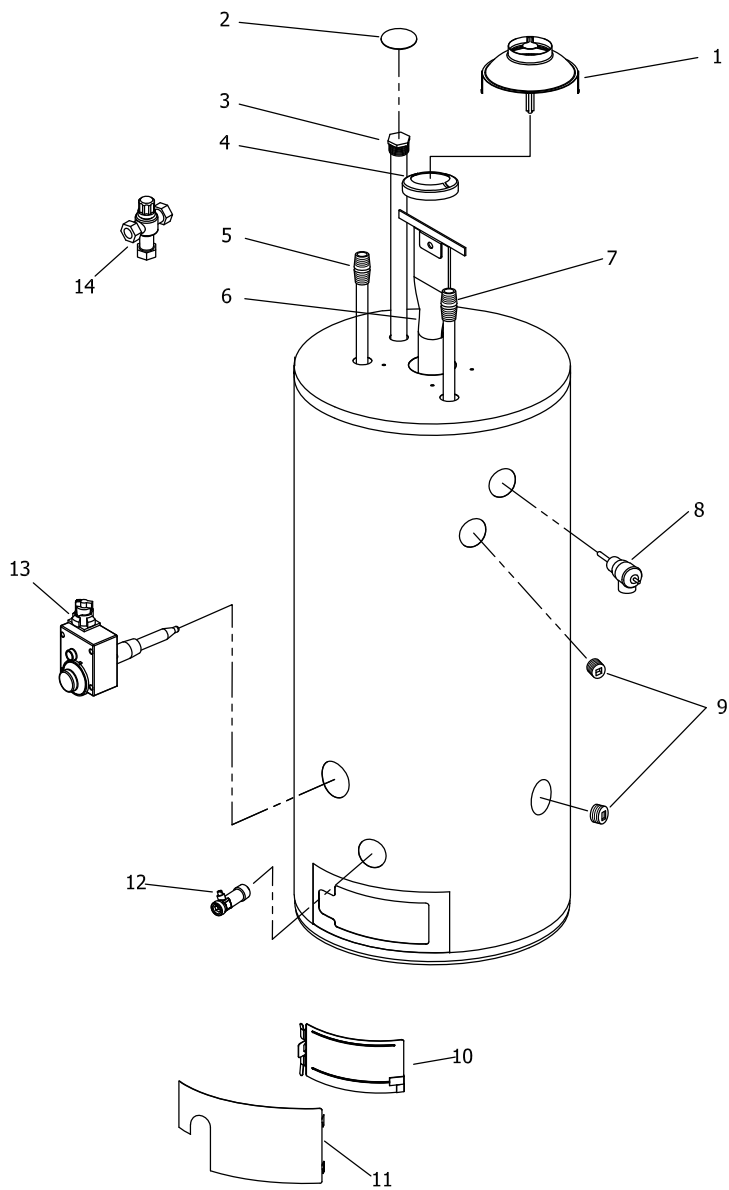
Anode may need to be cut to length; see end of this parts list for further information.

* Applies to all warranties

** Inner door gasket kit recommended

*** Ordering a complete burner assembly may increase delivery time.

Please order the specific component required for the quickest delivery.



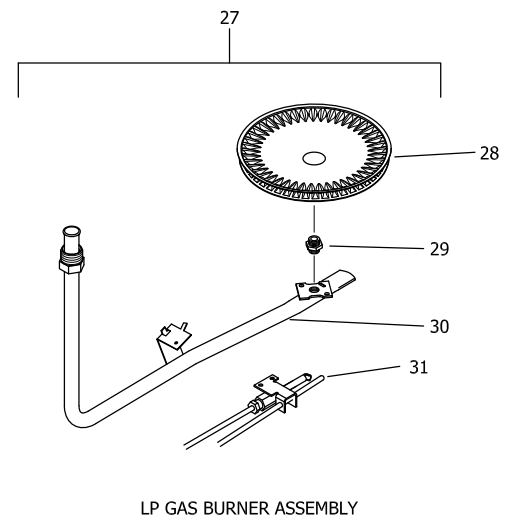
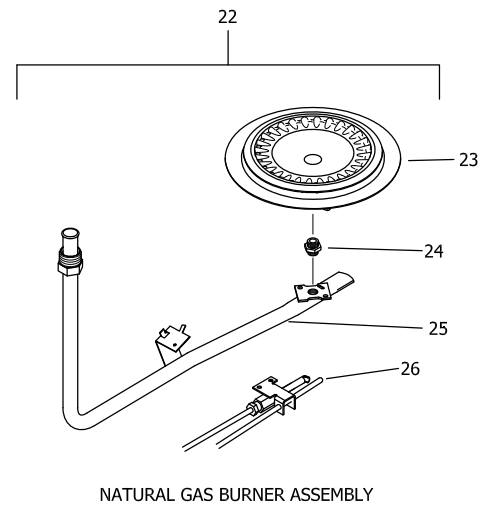
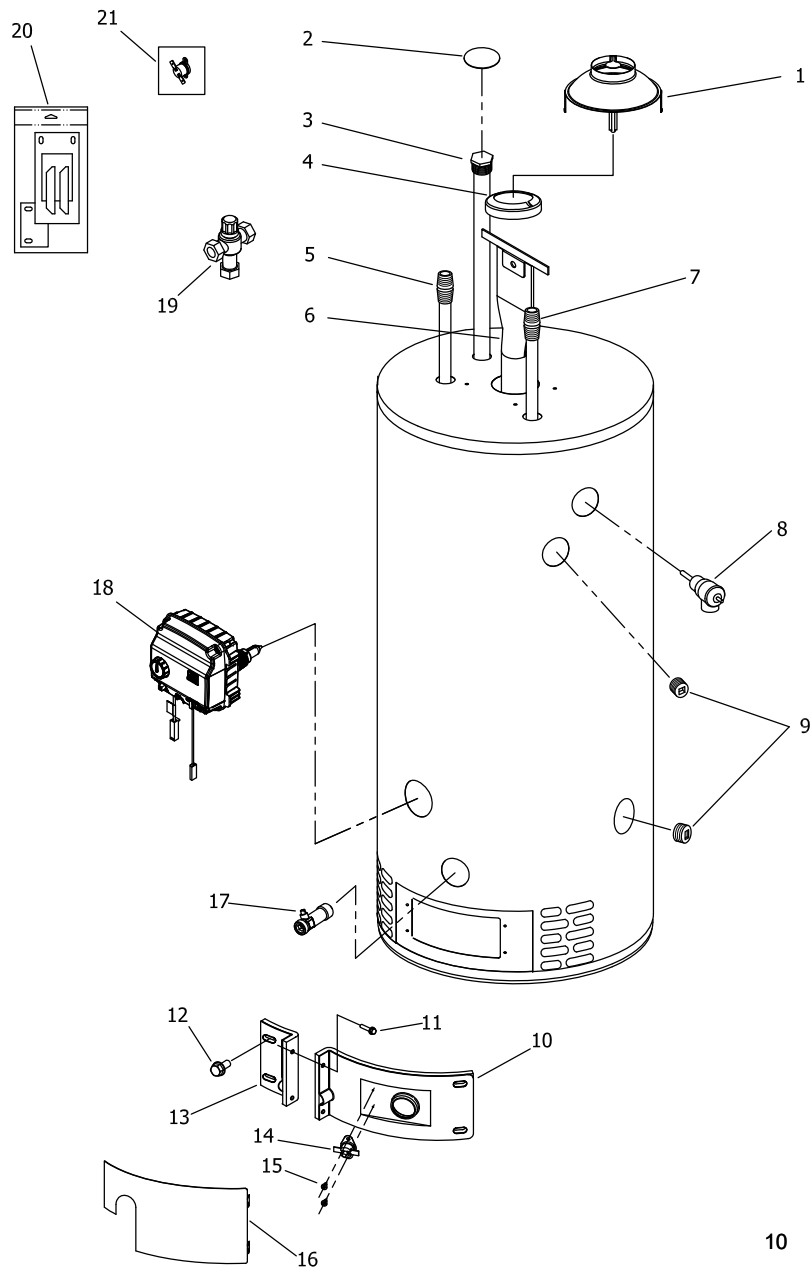
Item	Description	Model	Model
		RG155H*(N,X)	LG155H80*(N,X)
1	Draft Diverter	239-33081-02-20-15	239-33081-02-20-15
2	Hole Closure	239-31547-02	239-31547-02
3	Hex Head Sacrificial Anode (Magnesium) #	415-55483-00	415-55483-00
	Hex Head Sacrificial Anode (Aluminum) #	415-55484-00	415-55484-00
	Hex Head Sacrificial Anode (A420 Aluminum) #	415-55487-00	415-55487-00
4	Flue Reducer	243-42572-00	243-42572-00
5	Hot Water Outlet Anode (Magnesium) #	415-55482-00	415-55482-00
	Hot Water Outlet Anode (Aluminum) #	415-55484-00	415-55484-00
	Hot Water Outlet Anode (A420 Aluminum) #	415-55486-00	415-55486-00
6	Flue Core	239-45676-00	239-45676-00
7	Cold Water Inlet Dip Tube (Polysulfone)	415-45092-02	415-45092-02
8	T&P Relief Valve	415-40594-02	415-40594-02
9	3/4 NPT Pipe Plug	239-11638-00	239-11638-00
10	Inner Door Assembly	243-46049-00	243-46049-00
11	Outer Door	243-41061-00	243-41061-00
12	Brass Drain Valve	415-42351-02	415-42351-02
13	Gas Control Direct Replacement (Natural Gas)	265-47444-01	265-47444-01
	Gas Control Direct Replacement (LP Gas)	265-47445-01	265-47445-01
14	ASSE Approved Mixing Valve (Optional)	239-51778-00	239-51778-00
	Natural Gas Burner Assembly		
15	Nat Gas Burner Assembly Complete***	265-46004-03-20	265-46004-03-20
16	Nat. Gas Burner**	228-42506-00	228-42506-00
17	Nat. Gas Main Burner Orifice 0 Ft. to 2,000 Ft.**	234-41034-20	234-41034-20
	Nat. Gas High Altitude 2,001 Ft. to 7000 Ft. (-475 model suffixes)**	234-41034-26	234-41034-26
	Nat. Gas High Altitude Kit 7,001 Ft. to 10,000 Ft.	265-51311-02-29	265-51311-02-29
18	Feedline **	233-43660-15	233-43660-15
19	Nat. Gas Pilot Assembly**	233-40248-05	233-40248-05
	LP Gas Burner Assembly		
20	LP Gas Burner Assembly Complete***	265-47037-03-38	265-47037-03-38
21	LP Gas Burner**	228-46938-00	228-46938-00
22	LP Gas Main Burner Orifice 0 Ft. to 2,000 Ft.**	234-47064-38	234-47064-38
	LP Gas High Altitude Orifice 2,001 Ft. to 7,000 Ft. (-475 model suffixes)**	234-47064-42	234-47064-42
	LP Gas High Altitude Kit 7,001 Ft. to 10,000 Ft.	265-51367-02-44	265-51367-02-44
23	Feedline**	233-46939-02	233-46939-02
24	LP Gas Pilot Assembly**	233-40261-03	233-40261-03
	LP to Nat. Gas Conversion Kit	265-45713-04	265-45713-04
	LP to Nat. Gas High Altitude Conversion Kit	265-45713-06	265-45713-06

*Applies to all warranties

** Inner door gasket kit recommended

***Ordering a complete burner assembly may increase delivery time. Please order the specific component required for the quickest delivery.

Anode may need to be cut to length; see end of this parts list for further information.



Item	Description	Model	Model
		RG255H*(N,X)	LG255H80*(N,X)
1	Draft Diverter	239-33081-02-20-15	239-33081-02-20-15
2	Hole Closure	239-31547-02	239-31547-02
3	Hex Head Sacrificial Anode (Magnesium) #	415-55483-00	415-55483-00
	Hex Head Sacrificial Anode (Aluminum) #	415-55484-00	415-55484-00
	Hex Head Sacrificial Anode (A420 Aluminum) #	415-55487-00	415-55487-00
4	Flue Reducer	243-42572-00	243-42572-00
5	Hot Water Outlet Anode (Magnesium) #	415-55482-00	415-55482-00
	Hot Water Outlet Anode (Aluminum) #	415-55484-00	415-55484-00
	Hot Water Outlet Anode (A420 Aluminum) #	415-55486-00	415-55486-00
6	Flue Core	239-45676-00	239-45676-00
7	Cold Water Inlet Dip Tube (Polysulfone)	415-45092-02	415-45092-02
8	T&P Relief Valve	415-40594-03	415-40594-03
9	3/4 NPT Pipe Plug	239-11638-00	239-11638-00
10	Right Side Inner Door Complete	239-43963-07	239-43963-07
11	Screw-#8-18 x 3/4 HWH	239-44195-00	239-44195-00
12	Screw-#10-12 x 3/4 HWH	239-52581-00	239-52581-00
13	Left Side Inner Door Complete	239-43968-18	239-43968-18
14	Resettable Thermal Switch	415-43676-02	415-43676-02
15	Screw-#6-20 x 3/8 PHCR	239-43967-00	239-43967-00
16	Outer Door	239-43962-00	239-43962-00
17	Brass Drain Valve	415-48070-02	415-48070-02
18	Resideo Gas Control Direct Replacement (Natural Gas)	415-52908-02	415-52908-02
	Resideo Gas Control Direct Replacement (LP Gas)	415-52910-02	415-52910-02
19	ASSE Approved Mixing Valve (Optional)	239-51778-00	239-51778-00
20	Inner Door Gasket Kit	239-44078-00	239-44078-00
21	Resettable Thermal Switch Kit (1 pcs.)	415-43676-02	415-43676-02
Natural Gas Burner Assembly			
22	Nat Gas Burner Assembly Complete***	265-47439-19-19	265-47439-19-19
23	Nat. Gas Burner**	228-47000-00	228-47000-00
24	Nat. Gas Main Burner Orifice 0 Ft. to 2,000 Ft.**	234-41034-19	234-41034-19
	Nat. Gas High Altitude 2,001 Ft. to 7000 Ft. (-475 model suffixes)**	234-41034-25	234-41034-25
	Nat. Gas High Altitude Kit 7,001 Ft. to 10,000 Ft.	265-51311-04-28	265-51311-04-28
25	Feedline **	233-48094-05	233-48094-05
26	Nat. Gas Pilot Assembly**	415-47845-05	415-47845-05
LP Gas Burner Assembly			
27	LP Gas Burner Assembly Complete***	265-47440-30-38	265-47440-30-38
28	LP Gas Burner**	228-47000-00	228-47000-00
29	LP Gas Main Burner Orifice 0 Ft. to 2,000 Ft.**	234-41034-38	234-41034-38
	LP Gas High Altitude Orifice 2,001 Ft. to 7,000 Ft. (-475 model suffixes)**	234-41034-42	234-41034-42
	LP Gas High Altitude Kit 7,001 Ft. to 10,000 Ft.	265-51367-02-44	265-51367-02-44
30	Feedline**	233-47108-05	233-47108-05
31	LP Gas Pilot Assembly**	415-47846-05	415-47846-05

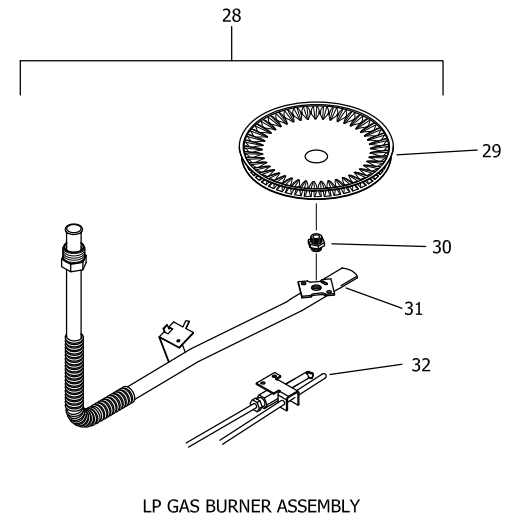
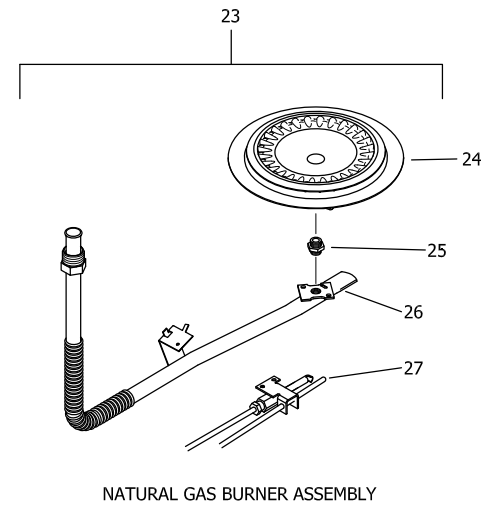
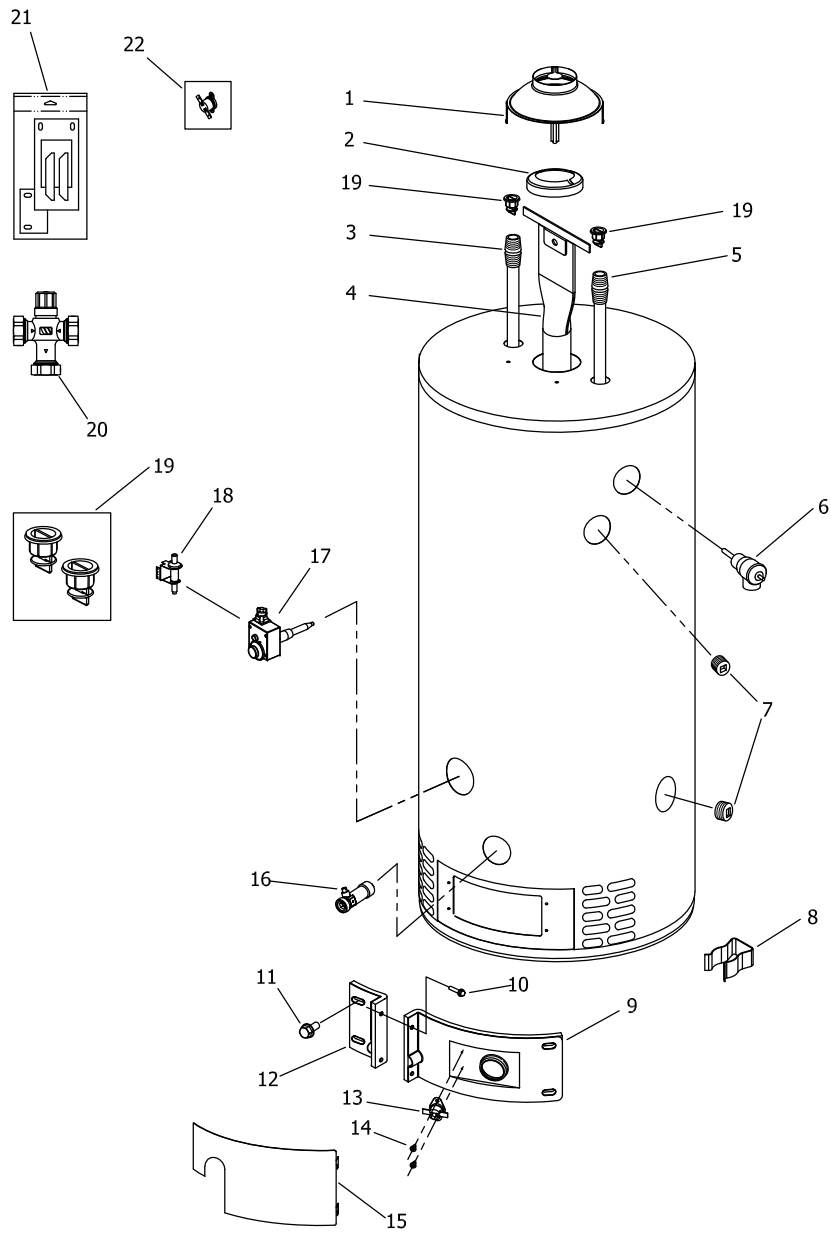
Anode may need to be cut to length; see end of this parts list for further information.

* Applies to all warranties

** Inner door gasket kit recommended

*** Ordering a complete burner assembly may increase delivery time.

Please order the specific component required for the quickest delivery.



Item	Description	Model	Model
		RG250H*(N,X)-500	LG250H65*(N,X)-500
1	Draft Diverter	239-33081-02-20-15	239-33081-02-20-15
2	Flue Reducer	243-42572-00	243-42572-00
3	Hot Water Outlet Anode (Magnesium) ▲#	415-55482-00	415-55482-00
	Hot Water Outlet (Aluminum) ▲#	415-55484-00	415-55484-00
	Hot Water Outlet (A420 Aluminum) ▲#	415-55486-00	415-55486-00
4	Flue Core	239-51837-00	239-51837-00
5	Cold Water Inlet Dip Tube (PEX) ▲	415-45092-06	415-45092-08
6	T&P Relief Valve	415-40594-02	415-40594-02
7	3/4 NPT Pipe Plug	239-11638-00	239-11638-00
8	Feedline Clip	239-47475-00	239-47475-00
9	Right Side Inner Door Complete	239-43963-07	239-43963-07
10	Screw-#8-15 x 3/4 INHXWS	239-44195-00	239-44195-00
11	Screw-#10-12 x 3/4 HWH	239-52581-00	239-52581-00
12	Left Side Inner Door Complete	239-43968-18	239-43968-18
13	Resettable Thermal Switch	415-43676-02	415-43676-02
14	Screw-#6-20 x 3/8 PHCR	239-43967-00	239-43967-00
15	Outer Door	239-43962-00	239-43962-00
16	Brass Drain Valve	415-42351-02	415-42351-02
17	Gas Control Direct Replacement (Natural Gas)	265-46181-02	265-46367-03
	Gas Control Direct Replacement (LP Gas)	265-46182-02	265-46368-03
18	Piezo Igniter Kit	243-43450-00	243-43450-00
19	Kit-Heat Trap Insert (Inlet & Outlet)	265-45420-00	265-51572-00
20	ASSE Approved Mixing Valve (Optional)	239-51778-00	239-51778-00
21	Inner Door Gasket Kit	239-44078-00	239-44078-00
22	Resettable Thermal Switch Kit (1 pcs.)	415-43676-02	415-43676-02
Natural Gas Burner Assembly			
23	Nat Gas Burner Assembly Complete*** **	265-43971-04-27	265-43971-04-27
24	Nat. Gas Burner**	228-42506-00	228-42506-00
25	Nat. Gas Main Burner Orifice** (0 Ft. to 2,000 Ft.)	234-41034-27	234-41034-27
	Nat. Gas High Altitude Orifice 2,001 Ft. to 7000 Ft. (-475 model suffixes)**	234-41034-30	234-41034-30
	Nat. Gas High Altitude Kit 7,001 Ft. to 10,000 Ft.	265-51311-02-31	265-51311-02-31
26	Feedline	233-48094-04	233-48094-04
27	Nat. Gas Pilot Assembly**	233-46277-03	233-46277-03
LP Gas Burner Assembly			
28	LP Gas Burner Assembly Complete*** **	265-47118-03-43	265-47118-03-43
29	LP Gas Burner**	228-47000-00	228-47000-00
30	LP Gas Main Burner Orifice**	234-47064-43	234-47064-43
	LP Gas High Altitude Orifice 2,001 Ft. to 7,000 Ft. (-475 model suffixes)**	234-47064-46	234-47064-46
	LP Gas High Altitude Orifice 7,001 Ft. to 10,000 Ft.**	265-51367-02-48	265-51367-02-48
31	Feedline	233-47108-04	233-47108-04
32	LP Gas Pilot Assembly**	233-46278-02	233-46278-02

* Applies to all warranties

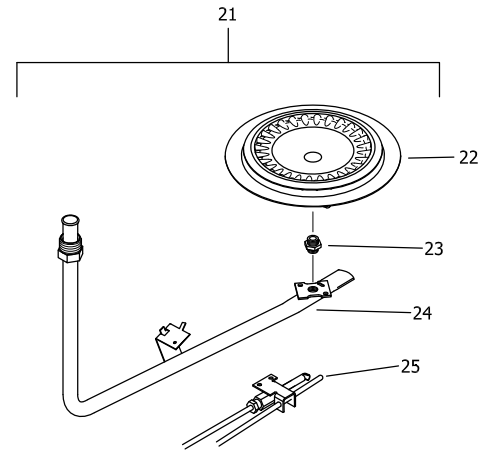
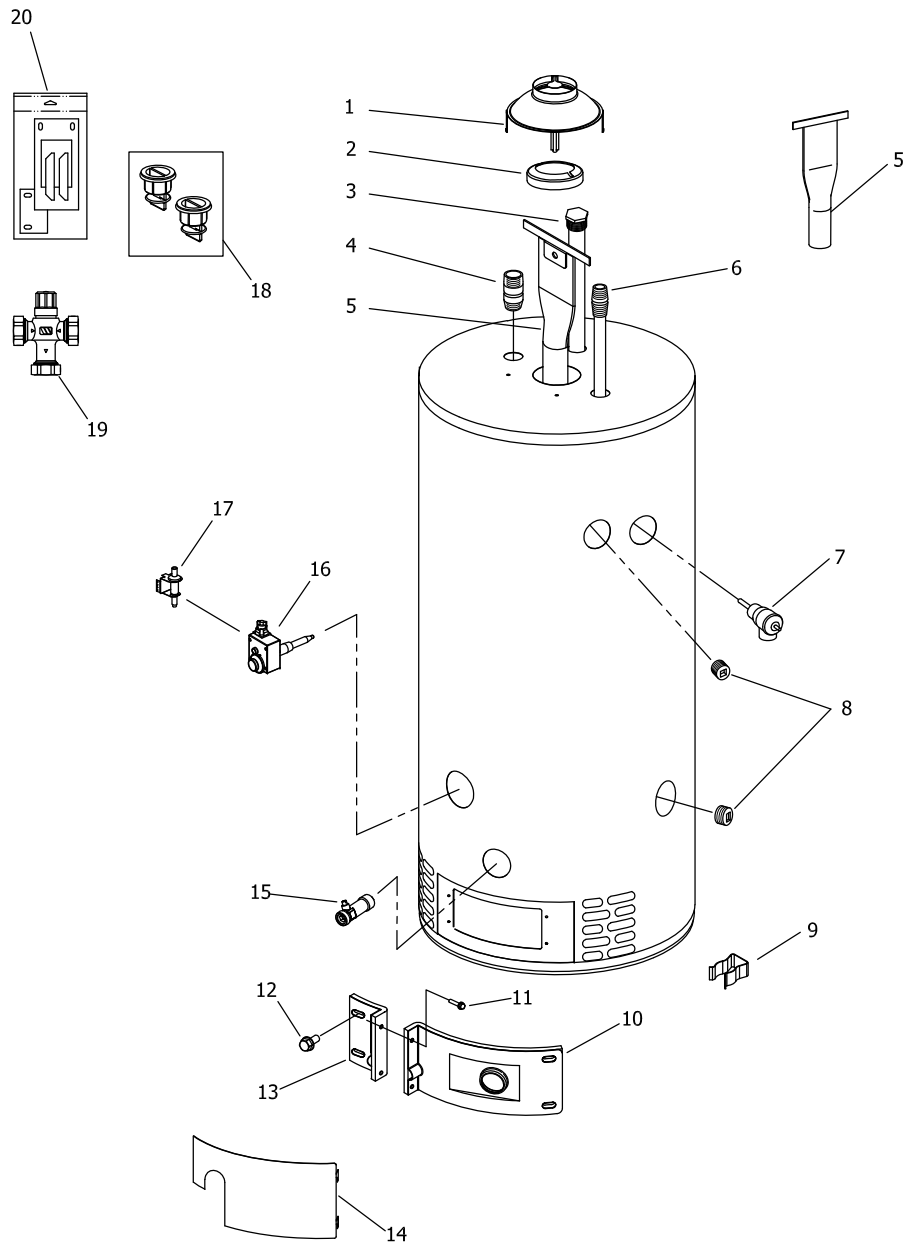
** Inner door gasket kit recommended

*** Ordering a complete burner assembly may increase delivery time.

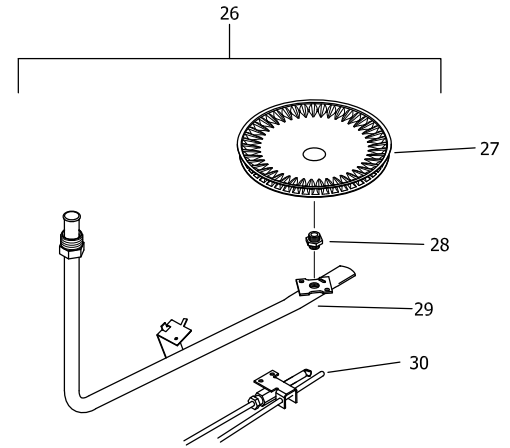
Please order the specific component required for the quickest delivery.

Anode may need to be cut to length; see end of this parts list for further information.

▲ Order with item 19



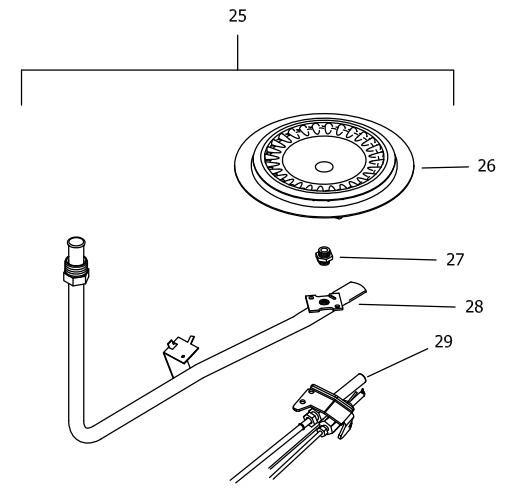
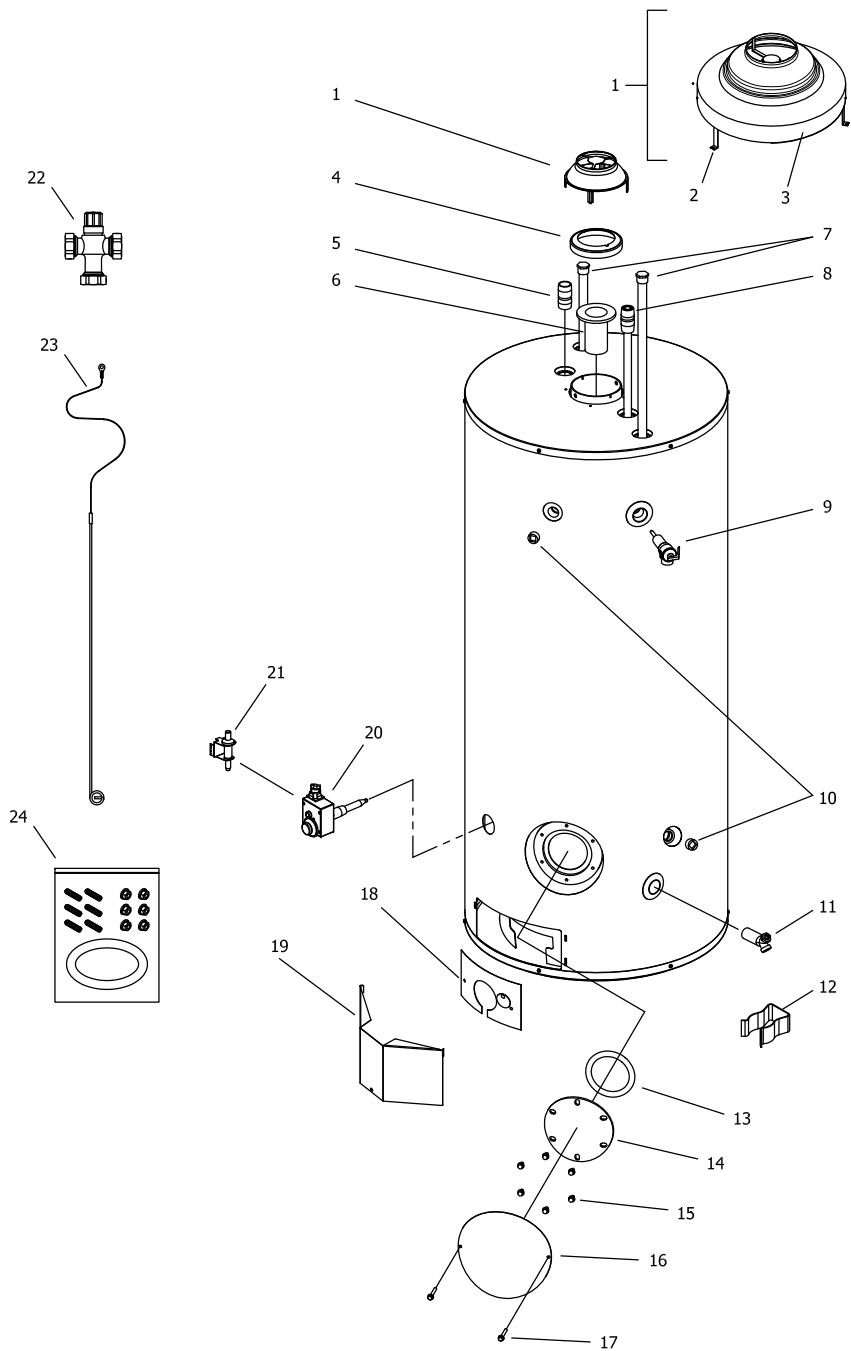
NATURAL GAS BURNER ASSEMBLY



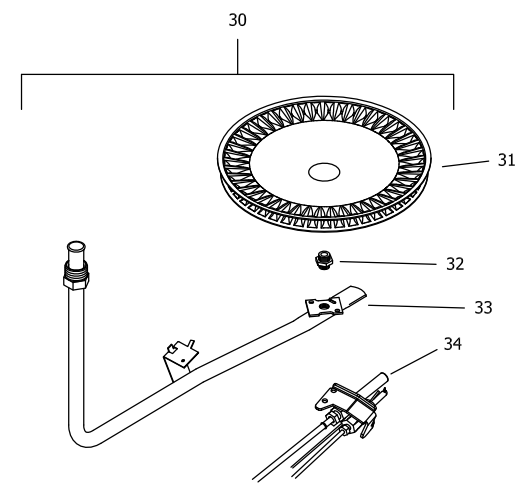
LP GAS BURNER ASSEMBLY

Item	Description	Model	Model
		RG275H*(N,X)-500	LG275H76*(N,X)-500
1	Draft Diverter ■	239-12950-00	239-12950-00
	Draft Diverter ►	239-33081-02-20-16	239-33081-02-20-16
	Draft Diverter ▲	239-53655-00	239-53655-00
2	Flue Reducer	243-42572-00	243-42572-00
3	Hex Head Sacrificial Anode (Magnesium) ●#	415-55483-00	415-55483-00
	Hex Head Sacrificial Anode (Aluminum) ●#	415-55484-00	415-55484-00
	Hex Head Sacrificial Anode (A420 Aluminum) ●#	415-55487-00	415-55487-00
4	Outlet Nipple 1 NPT X 2 1/2"	415-50053-02	415-50053-02
5	Flue Core ►	239-50666-00	239-50666-00
	Flue Core ▲	239-53137-00	239-53137-00
6	Cold Water Inlet Dip Tube (Polysulfone)	415-47040-01	415-47040-01
7	T&P Relief Valve	415-40594-02	415-40594-02
8	3/4 NPT Pipe Plug	239-11638-00	239-11638-00
9	Feedline Clip	239-47475-00	239-47475-00
10	Right Side Inner Door Complete	239-47504-22	239-47504-22
11	Screw-#8-15 x 3/4 INHXWS	239-44195-00	239-44195-00
12	Screw-#10-12 x 3/4 HWH	239-52581-00	239-52581-00
13	Left Side Inner Door Complete	239-43968-20	239-43968-20
14	Outer Door	239-43962-00	239-43962-00
15	Brass Drain Valve	415-42351-02	415-42351-02
16	Gas Control Direct Replacement (Natural Gas)	415-40251-03	415-46365-02
	Gas Control Direct Replacement (LP Gas)	415-40258-03	415-46366-02
17	Piezo Igniter Kit	243-43450-00	243-43450-00
18	Kit-Heat Trap Insert (Inlet & Outlet)	265-51572-00	265-51572-00
19	ASSE Approved Mixing Valve (Optional)	239-51778-00	239-51778-00
20	Inner Door Gasket Kit	239-47792-00	239-47792-00
Natural Gas Burner Assembly			
21	Nat Gas Burner Assembly Complete***	265-47767-02-22	265-47767-02-22
22	Nat. Gas Burner **	228-47000-00	228-47000-00
23	Nat. Gas Main Burner Orifice 0 Ft. to 2,000 Ft.**	234-41034-22	234-41034-22
	Nat. Gas High Altitude 2,001 Ft. to 7000 Ft. (-475 model suffixes) **	234-41034-27	234-41034-27
	Nat. Gas High Altitude Kit 7,001 Ft. to 10,000 Ft.	265-51311-01-29	265-51311-01-29
24	Feedline **	233-48095-04	233-48095-04
25	Nat. Gas Pilot Assembly **	233-41062-03	233-41062-03
LP Gas Burner Assembly			
26	LP Gas Burner Assembly Complete***	265-47768-02-38	265-47768-02-38
27	LP Gas Burner **	228-46938-00	228-46938-00
28	LP Gas Main Burner Orifice 0 Ft. to 2,000 Ft.**	234-47064-38	234-47064-38
	LP Gas High Altitude 2,001 Ft. to 7,000 Ft. (-475 model suffixes) **	234-47064-42	234-47064-42
	LP Gas High Altitude Kit 7,001 Ft. to 10,000 Ft.	265-51367-03-44	265-51367-03-44
29	Feedline **	233-47677-04	233-47677-04
30	LP Gas Pilot Assembly **	233-41063-03	233-41063-03
	LP to Nat. Gas Conversion Kit	265-45754-02	265-45754-07
	LP to Nat. Gas High Altitude Conversion Kit	265-45754-05	265-45754-05

- For serial numbers starting before "TA42690692"
 - For serial numbers starting with "TA42693470" to "XE47931831"
 - ▲ For serial numbers starting with or after "XE47931831"
- # Anode may need to be cut to length; see end of this parts list for further information.
 * Applies to all warranties
 ** Inner door gasket kit recommended
 *** Ordering a complete burner assembly may increase delivery time.
 Please order the specific component required for the quickest delivery.
 ● Order with item 18



NATURAL GAS (BN) BURNER ASSEMBLY



LP GAS (SX) BURNER ASSEMBLY

Item	Description	Model	Model
		RG2100H*(N,X)-500	LG2100H*85(N,X)-500
1	Draft Diverter Assembly Kit ▶	265-52089-00	265-52089-00
2	Draft Diverter Leg Kit Only ▶	243-43689-03	243-43689-03
3	Draft Diverter Only ▶	239-52089-00-16	239-52089-00-16
4	Flue Reducer	243-36920-00	243-36920-00
5	Outlet Nipple	229-40913-03	229-40913-03
6	Flue Core ▶	239-52063-00	239-52063-00
7	Hex Head Sacrificial Anode (x2) (Magnesium) #	415-55483-00	415-55483-00
	Hex Head Sacrificial Anode (x2) (Aluminum) #	415-55484-00	415-55484-00
	Hex Head Sacrificial Anode (x2) (A420 Aluminum) #	415-55487-00	415-55487-00
8	Cold Water Inlet Dip Tube (Polysulfone)	415-46993-01	415-46993-01
9	T&P Relief Valve	415-40594-02	415-40594-02
10	3/4 NPT Pipe Plug	239-11638-00	239-11638-00
11	Brass Drain Valve	415-42351-02	415-42351-02
12	Feedline Clip	239-47475-00	239-47475-00
13	Cleanout O-Ring Gasket	205-18427-00	205-18427-00
14	Cleanout Cover	205-18428-00	205-18428-00
15	Cleanout Screw 5/16-18x1/2 hex (x6)	239-82166-00	239-82166-00
16	Cleanout Jacket Cover	243-20299-00	243-20299-00
17	Cleanout Jacket Cover Screw 1/2-13x1 1/4 (x2)	239-43251-00	239-43251-00
18	Inner Door Complete	243-39207-00	243-39207-00
19	Outer Door	243-37177-00	243-37177-00
20	Gas Control Direct Replacement (Natural Gas)	415-40251-07	415-46365-04
	Gas Control Direct Replacement (LP Gas)	415-40258-06	415-46366-03
21	Piezo Igniter Kit	243-43450-00	243-43450-00
22	ASSE Approved Mixing Valve (Optional)	239-51778-00	239-51778-00
23	Match Holder with Cable	239-39336-00	239-39336-00
24	Kit-Cleanout (Not for Use With ASME Tanks)	415-54256-00	415-54256-00
Natural Gas Burner Assembly			
25	Nat Gas Burner Assembly Complete***	265-52047-00-18	265-52047-00-18
26	Nat. Gas Burner **	228-52013-00	228-52013-00
27	Nat. Gas Main Burner Orifice 0 Ft. to 2,000 Ft.**	234-41034-18	234-41034-18
	Nat. Gas High Altitude 2,001 Ft. to 7000 Ft. (-475 model suffixes) **	234-41034-22	234-41034-22
	Nat. Gas High Altitude Kit 7,001 Ft. to 10,000 Ft.	265-51311-03-27	265-51311-03-27
28	Feedline **	233-48209-01	233-48209-01
29	Nat. Gas Pilot Assembly **	233-40248-05	233-40248-05
LP Gas Burner Assembly			
30	LP Gas Burner Assembly Complete***	265-47013-01-35	265-47131-01-35
31	LP Gas Burner **	228-46938-00	228-46938-00
32	LP Gas Main Burner Orifice 0 Ft. to 2,000 Ft.**	234-47064-35	234-47064-35
	LP Gas High Altitude 2,001 Ft. to 7,000 Ft. (-475 model suffixes) **	234-47064-39	234-47064-39
	LP Gas High Altitude Kit 7,001 Ft. to 10,000 Ft.	265-51367-01-42	265-51367-01-42
33	Feedline **	233-47065-02	233-47065-02
34	LP Gas Pilot Assembly **	233-40261-03	233-41063-03
	LP to Nat. Gas Conversion Kit	265-53403-02	265-53403-01
	LP to Nat. Gas High Altitude Conversion Kit	265-53403-12	265-53403-12

▶ For serial numbers starting with or after "ND"

Anode may need to be cut to length; see end of this parts list for further information.

* Applies to all warranties

** Inner door gasket kit recommended

*** Ordering a complete burner assembly may increase delivery time.

Please order the specific component required for the quickest delivery.



United States

Sales 1-800-523-2931
Technical Support 1-800-334-3393
Email techsupport@bradfordwhite.com
Warranty 1-800-531-2111
Email warranty@bradfordwhite.com
Service Parts 1-800-538-2020
Email parts@bradfordwhite.com

Canada

Sales 1-866-690-0961 1-905-203-0600
Fax 905-636-0666
Warranty 1-800-531-2111
Email warranty@bradfordwhite.com
Technical Support 1-800-334-3393
Email techsupport@bradfordwhite.com
Service Parts and Orders ca.orders@bradfordwhite.com

For U.S. and Canada field service, contact your professional installer or local Bradford White sales representative.

International

General Contact international@bradfordwhite.com