



ELECTRIC REPLACEMENT PARTS LIST

Residential (RE(1,2)U) Utility and Commercial (LE(1,2)U) Utility Models



RE110U* model shown,
models may vary in appearance

Models Covered:
RE(12, 16, 112, 120)U*
LE(16, 120)U*
RE112T
LE112T
RE220U
LE220U
RE(110, 115)U*
LE(110, 115)U*

*Denotes warranty year

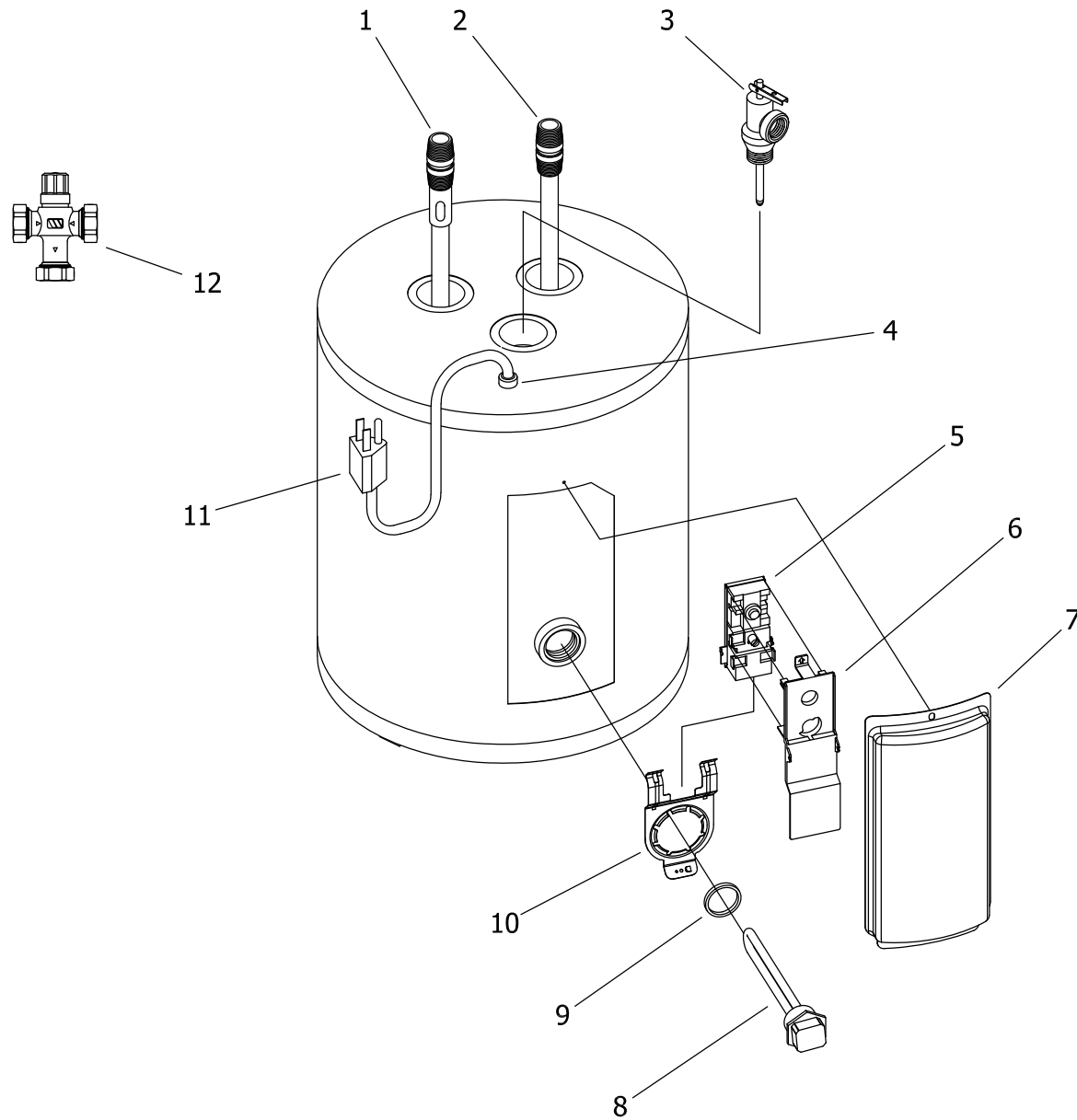
Effective: October, 2024
ECO 8780

**NOTE: BOTH MODEL AND SERIAL
NUMBERS ARE REQUIRED FOR
ORDERING REPLACEMENT PARTS**

Dimensions and specifications
subject to change without notice.



As required by the state of California Proposition 65.



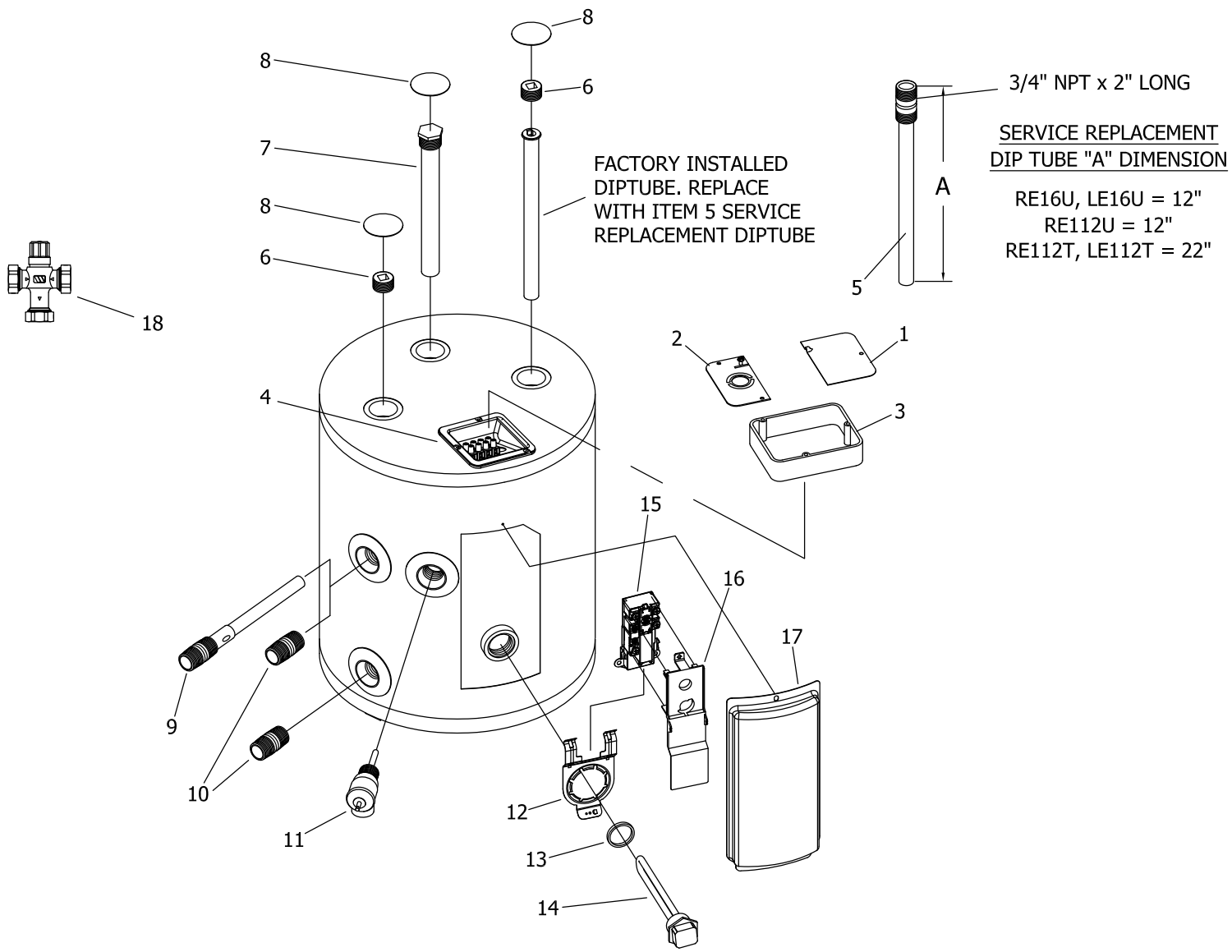
Item	Description	Model
1	Hot Water Outlet Anode (Magnesium)	415-55482-00
	Hot Water Outlet Anode (Aluminum)	415-55484-00
	Hot Water Outlet Anode (A420 Aluminum)	415-55486-00
2	Cold Water Inlet Dip Tube (PEX)	229-51534-15
3	T&P Relief Valve	415-32920-01
4	Strain Relief Bushing	239-80372-00
5	Thermostat ■	415-50691-00
6	Thermostat Protector	223-50125-00
7	Access Cover	239-44929-00
8	Heating Element (120V/1500W Copper)** ♦	415-42540-02
	Heating Element (120V/1500W Incoloy)** ♦	N/A
9	Element Gasket	223-34019-00
10	Thermostat Mounting Bracket	415-50689-00
11	Power Cord	239-38846-00
12	ASSE Approved Mixing Valve (Optional)	239-51778-00

■ Protector (Item #6) and mounting bracket (Item #10) included in kit with thermostat.

♦ Gasket (Item #9) included with this kit

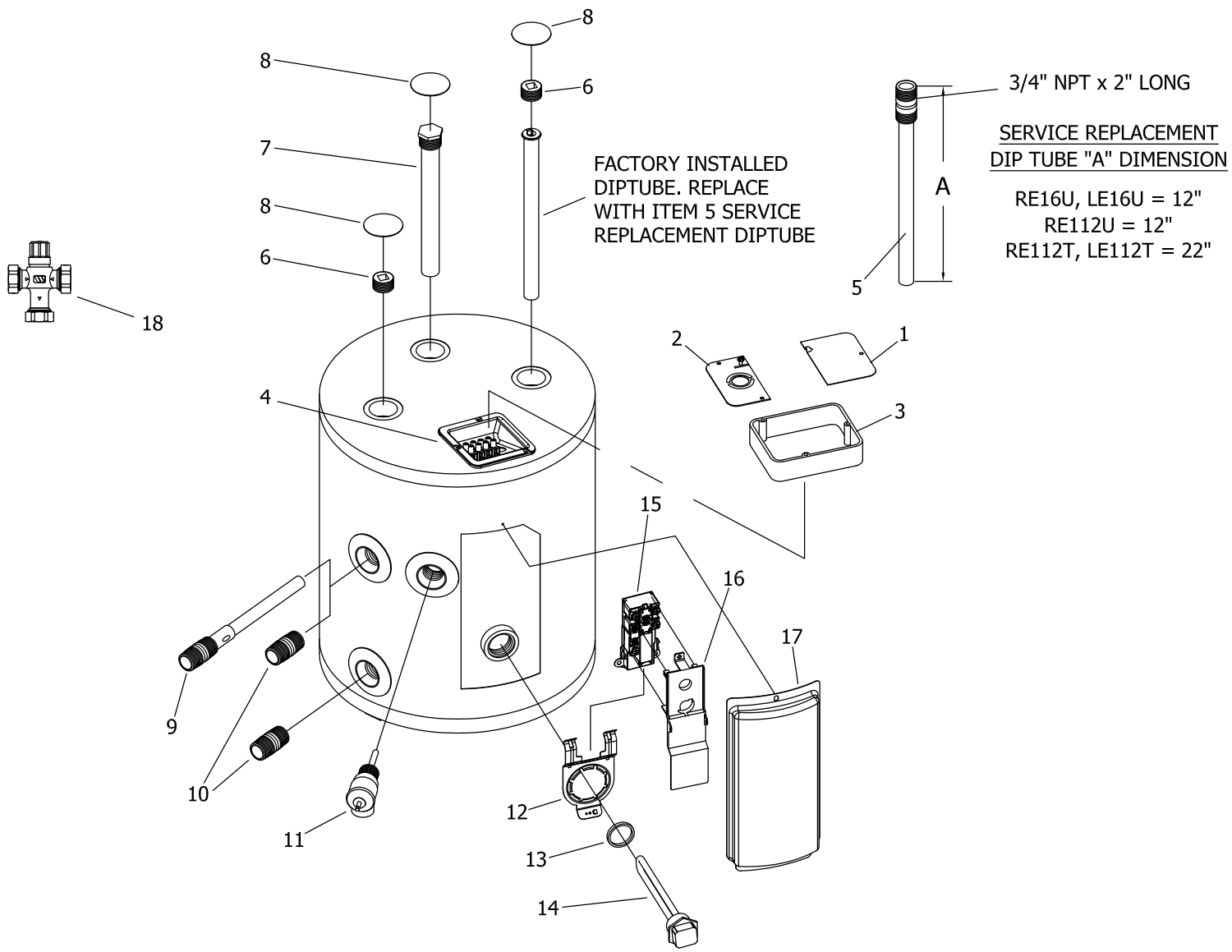
* Applies to all warranties

** For other wattages/voltages, consult residential Heating Element Replacement Parts List.



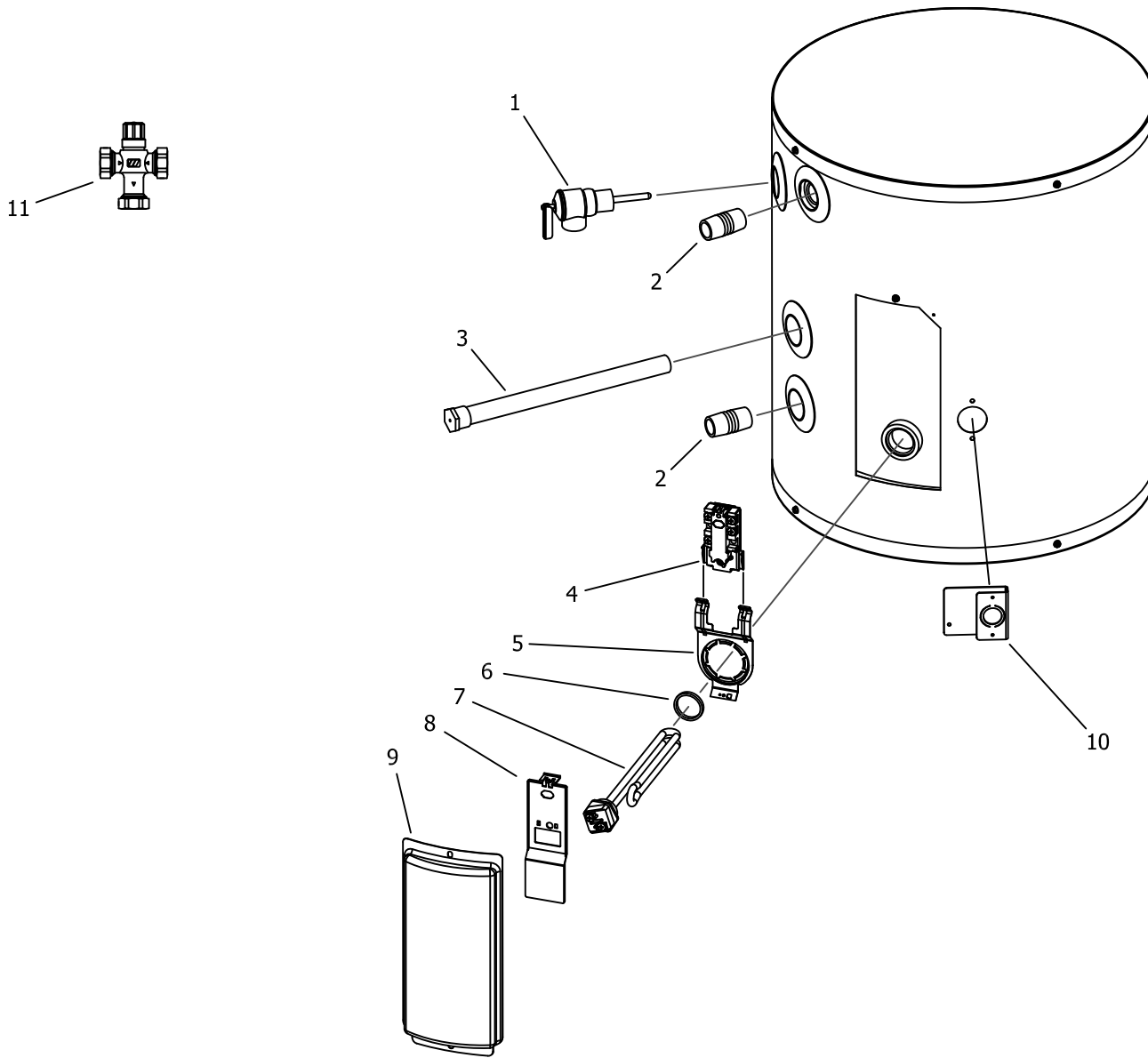
Item	Description	Model RE16U*	Model LE16U*	Model RE120U*	Model LE120U*
1	Junction Box Cover	243-39452-00	243-39452-00	243-39452-00	243-39452-00
2	Bracket-Grounding/Conduit w/ Ground Screw	239-55386-00	---	239-55386-00	---
	Bracket-Grounding/Conduit	---	239-39451-00	---	239-39451-00
3	Junction Box Extender	---	239-40587-00	---	239-40587-00
4	J-Box w/ Terminal Block	---	265-47380-00	---	265-47380-00
5	Service Replacement Dip Tube (PEX)	415-51534-13	415-51534-13	---	---
6	Pipe Plug 3/4 NPT	239-11638-00	239-11638-00	---	---
7	Anode Rod Plug Type (Magnesium)#	415-55483-00	415-55483-00	---	---
	Anode Rod Plug Type (Aluminum)#	415-55485-00	415-55485-00	---	---
	Anode Rod Plug Type (A420 Aluminum)#	415-55487-00	415-55487-00	---	---
8	Hole Closure	239-31547-02	239-31547-02	---	---
9	Hot Water Outlet Anode (Magnesium)#	---	---	415-55482-00	415-55482-00
	Hot Water Outlet Anode (Aluminum)#	---	---	415-55484-00	415-55484-00
	Hot Water Outlet Anode (A420 Aluminum)#	---	---	415-55486-00	415-55486-00
10	Inlet/Outlet Nipple	229-32762-03	229-32762-03	229-32762-03	229-32762-03
11	T&P Relief Valve	415-40594-02	415-40594-02	415-40594-02	415-40594-02
12	Thermostat Mounting Bracket	415-50689-00	415-50689-00	415-50689-00	415-50689-00
13	Element Gasket	223-34019-00	223-34019-00	223-34019-00	223-34019-00
14	Heating Element 1500W, 120V Copper** ♦	415-42540-02	415-42540-02	415-42540-02	415-42540-02
	Heating Element 1500W, 120V Incoloy** ♦	415-42541-02	415-42541-02	415-42541-02	415-42541-02
15	Thermostat-Residential ■■	415-50691-00	---	415-50691-00	---
	Thermostat-Light Duty Commercial ■■ ∩	---	415-50691-00	---	415-50691-00
	Thermostat-Light Duty Commercial ■ Φ ∩∩	---	415-53388-00	---	415-53388-00
16	Thermostat Protector	223-50125-00	223-50125-00	223-50125-00	223-50125-00
17	Access Cover	243-36618-02	243-36618-02	243-36618-02	243-36618-02
18	ASSE Approved Mixing Valve (Optional)	239-51778-00	239-51778-00	239-51778-00	239-51778-00

- Protector (Item #16) included in kit with thermostat.
- Protector (Item #16) and mounting bracket (Item #12) included in kit with thermostat.
- Φ Mounting bracket (Item #12) not included in kit with thermostat.
- ♦ Gasket (Item #13) included with this kit
- ** For other wattages/voltages, consult residential Heating Element Replacement Parts List.
- # Anode may need to be cut to length
- ∩ Design certified for products with serial numbers PRIOR to TD43243484.
- ∩∩ Design certified for products with serial numbers AFTER and including TD43243484.



Item	Description	Model	Model	Model	Model	Model
		RE112U*	RE112T	LE112T	RE220U	LE220U
1	Junction Box Cover	243-39452-00	243-39452-00	243-39452-00	243-39452-00	243-39452-00
2	Bracket-Grounding/Conduit w/ Ground Screw	239-55386-00	239-55386-00	---	239-55386-00	---
	Bracket-Grounding/Conduit	---	---	239-39451-00	---	239-39451-00
3	Junction Box Extender	---	---	239-40587-00	---	239-40587-00
4	J-Box w/ Terminal Block	---	---	265-47380-00	---	265-47380-00
5	Service Replacement Dip Tube (PEX)	415-51534-02	415-51534-02	415-51534-02	---	---
6	Pipe Plug 3/4 NPT	239-11638-00	239-11638-00	239-11638-00	---	---
7	Anode Rod Plug Type (Magnesium)#	415-55483-00	415-55483-00	415-55483-00	---	---
	Anode Rod Plug Type (Aluminum)#	415-55485-00	415-55485-00	415-55485-00	---	---
	Anode Rod Plug Type (A420 Aluminum)#	415-55487-00	415-55487-00	415-55487-00	---	---
8	Hole Closure	239-31547-02	239-31547-02	239-31547-02	---	---
9	Hot Water Outlet Anode (Magnesium)#	---	---	---	415-55482-00	415-55482-00
	Hot Water Outlet Anode (Aluminum)#	---	---	---	415-55484-00	415-55484-00
	Hot Water Outlet Anode (A420 Aluminum)#	---	---	---	415-55486-00	415-55486-00
10	Inlet/Outlet Nipple	229-32762-03	229-32762-03	229-32762-03	229-32762-03	229-32762-03
11	T&P Relief Valve	415-40594-02	415-40594-02	415-40594-02	415-40594-02	415-40594-02
12	Thermostat Mounting Bracket	415-50689-00	415-50689-00	415-50689-00	415-50689-00	415-50689-00
13	Element Gasket	223-34019-00	223-34019-00	223-34019-00	223-34019-00	223-34019-00
14	Heating Element 1500W, 120V Copper** ♦	415-42540-02	415-42540-02	415-42540-02	415-42540-02	415-42540-02
	Heating Element 1500W, 120V Incoloy** ♦	415-42541-02	415-42541-02	415-42541-02	415-42541-02	415-42541-02
15	Thermostat-Residential ■■	415-50691-00	415-50691-00	---	415-50691-00	---
	Thermostat-Light Duty Commercial ■■ ∩	---	---	415-50691-00	---	415-50691-00
	Thermostat-Light Duty Commercial ■ Φ ∩∩	---	---	415-53388-00	---	415-53388-00
16	Thermostat Protector	223-50125-00	223-50125-00	223-50125-00	223-50125-00	223-50125-00
17	Access Cover	243-36618-02	243-36618-02	243-36618-02	243-36618-02	243-36618-02
18	ASSE Approved Mixing Valve (Optional)	239-51778-00	239-51778-00	239-51778-00	239-51778-00	239-51778-00

- Protector (Item #16) included in kit with thermostat.
- Protector (Item #16) and mounting bracket (Item #12) included in kit with thermostat.
- Φ Mounting bracket (Item #12) not included in kit with thermostat.
- ♦ Gasket (Item #13) included with this kit
- ** For other wattages/voltages, consult residential Heating Element Replacement Parts List.
- # Anode may need to be cut to length
- ∩ Design certified for products with serial numbers PRIOR to TD43243484.
- ∩∩ Design certified for products with serial numbers AFTER and including TD43243484.



Item	Description	Model	Model	Model	Model
		RE110U*	LE110U*	RE115U*	LE115U*
1	T&P Relief Valve	415-40594-02	415-40594-02	415-40594-02	415-40594-02
2	Inlet/Outlet Nipple	229-32762-03	229-32762-03	229-32762-03	229-32762-03
3	Anode Rod Plug Type (Magnesium)#	415-55483-00	415-55483-00	415-55483-00	415-55483-00
	Anode Rod Plug Type (Aluminum)#	415-55485-00	415-55485-00	415-55485-00	415-55485-00
	Anode Rod Plug Type (A420 Aluminum)#	415-55487-00	415-55487-00	N/A	N/A
4	Thermostat-Residential ■■	415-50691-00	---	415-50691-00	---
	Thermostat-Light Duty Commercial ■■ ∩	---	415-50691-00	---	415-50691-00
	Thermostat-Light Duty Commercial ■ Φ ∩∩	---	415-53388-00	---	415-53388-00
5	Thermostat Mounting Bracket	415-50689-00	415-50689-00	415-50689-00	415-50689-00
6	Element Gasket	223-34019-00	223-34019-00	223-34019-00	223-34019-00
7	Heating Element 1500W, 120V Copper** ♦	415-42540-02	415-42540-02	415-42540-02	415-42540-02
	Heating Element 1500W, 120V Incoloy** ♦	415-42541-02	415-42541-02	415-42541-02	415-42541-02
8	Thermostat Protector	223-50125-00	223-50125-00	223-50125-00	223-50125-00
9	Access Cover	243-36618-02	243-36618-02	243-36618-02	243-36618-02
10	Bracket-Grounding/Conduit	239-46167-00	239-46167-00	239-46167-00	239-46167-00
11	ASSE Approved Mixing Valve (Optional)	239-51778-00	239-51778-00	239-51778-00	239-51778-00

- Protector (Item #16) included in kit with thermostat.
- Protector (Item #16) and mounting bracket (Item #12) included in kit with thermostat.
- Φ Mounting bracket (Item #12) not included in kit with thermostat.
- ♦ Gasket (Item #6) included with this kit.
- # Anode may need to be cut to length.
- ∩ Design certified for products with serial numbers PRIOR to TD43243484.
- ∩∩ Design certified for products with serial numbers AFTER and including TD43243484.



United States

Sales 1-800-523-2931
Technical Support 1-800-334-3393
Email techsupport@bradfordwhite.com
Warranty 1-800-531-2111
Email warranty@bradfordwhite.com
Service Parts 1-800-538-2020
Email parts@bradfordwhite.com

Canada

Sales 1-866-690-0961 1-905-203-0600
Fax 905-636-0666
Warranty 1-800-531-2111
Email warranty@bradfordwhite.com
Technical Support 1-800-334-3393
Email techsupport@bradfordwhite.com
Service Parts and Orders ca.orders@bradfordwhite.com

For U.S. and Canada field service, contact your professional installer or local Bradford White sales representative.

International

General Contact international@bradfordwhite.com