



W A T E R H E A T E R S

Residential & Light Duty Commercial Gas Replacement Parts List

Ultra Low Nox Power Direct Vent “PDV” Models



Models Covered:
URG2PDV(40,50)S*N
URG2PDV50H*N
ULG2PDV50H50*N
***Denotes warranty year**

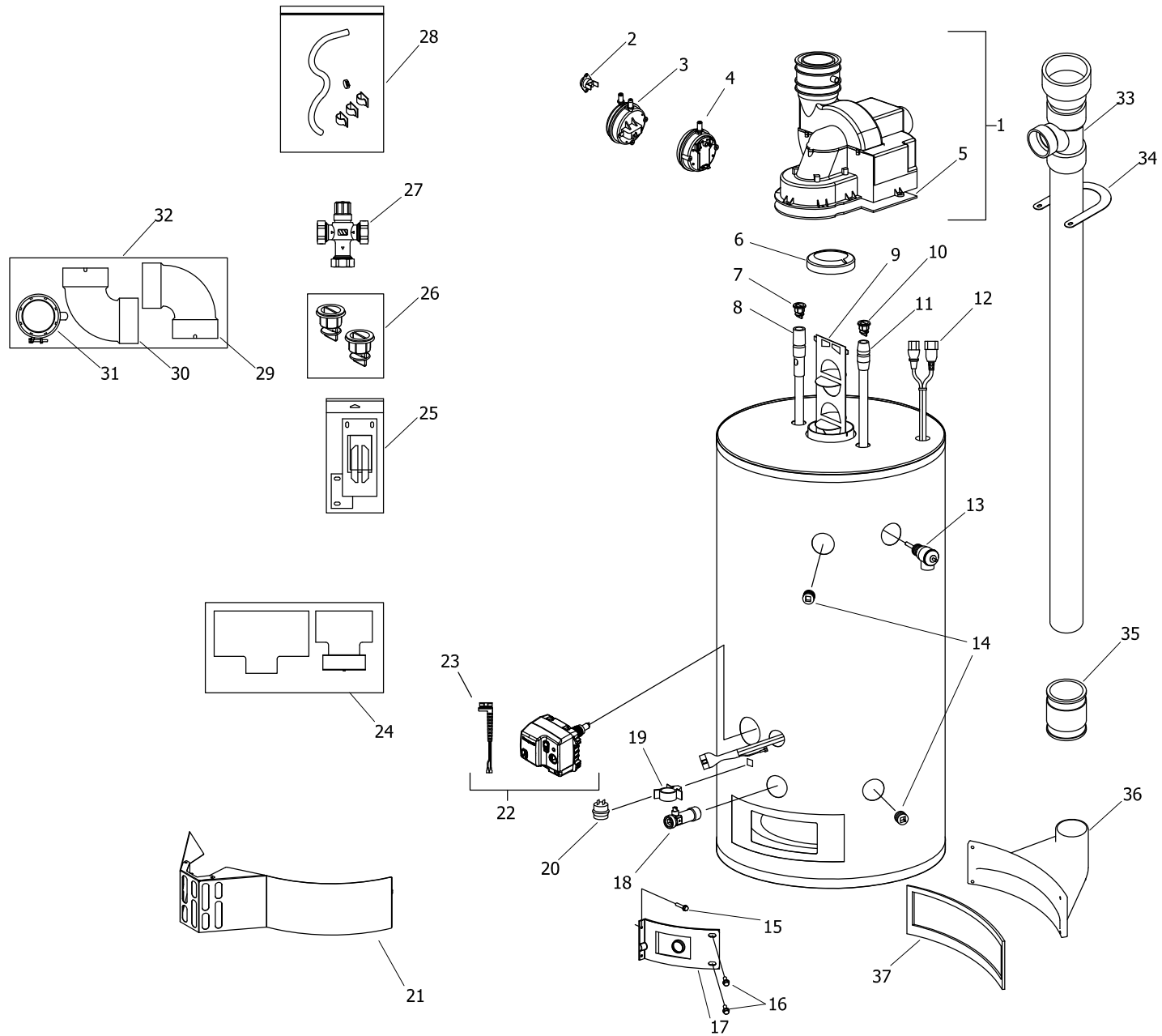
Effective: October, 2024
ECO 8780

**NOTE: BOTH MODEL AND SERIAL
NUMBERS ARE REQUIRED FOR
ORDERING REPLACEMENT PARTS**

Dimensions and specifications
subject to change without notice.



As required by the state of California Proposition 65.



Item	Description	Model	Model	Model	Model
		URG2PDV40S*N	URG2PDV50S*N	URG2PDV50H*N	ULG2PDV50H50*N
1	Blower Assembly 0 Ft. to 2,000 Ft. (Normal Alt.)	415-47386-00	415-47386-00	415-47387-00	415-47387-00
	Blower Assembly 2,100 Ft. to 7,000 Ft. (High Alt.)	239-48527-00	239-48527-00	239-48528-00	239-48528-00
2	Blower Temperature Switch	415-48752-00	415-48752-00	415-48752-00	415-48752-00
3	Pressure Switch N.O. (Normal Alt.) Exhaust	415-48058-01	415-48058-01	415-48058-01	415-48058-01
	Pressure Switch N.O. (High Alt.) Exhaust	415-48058-02	415-48058-02	415-48058-02	415-48058-02
4	Pressure Switch N.C. Intake	415-46879-01	415-46879-01	415-46879-01	415-46879-01
5	Blower Gasket	239-45866-00	239-45866-00	239-45866-00	239-45866-00
6	Flue Reducer	---	---	243-42572-00	243-42572-00
7	Heat Trap Insert (Outlet)	415-45167-00	415-45167-00	415-45167-00	415-45167-00
8	Hot Water Outlet Anode (Magnesium) ▲#	415-55482-00	415-55482-00	415-55482-00	415-55482-00
	Hot Water Outlet Anode (Aluminum) ▲#	415-55484-00	415-55484-00	415-55484-00	415-55484-00
	Hot Water Outlet Anode (A420 Aluminum) ▲#	415-55486-00	415-55486-00	415-55486-00	415-55486-00
9	Flue Baffle	243-45372-00	243-45372-00	239-45373-00	239-45373-00
10	Heat Trap Insert (Inlet)	415-51556-00	415-51556-00	415-51556-00	415-51556-00
11	Cold Water Inlet Dip Tube (PEX) ▲▲	229-53466-02	415-51230-20	229-51230-26	415-51230-29
12	Blower Harness	239-45617-03	239-45617-03	239-45617-02	239-45617-02
13	T&P Relief Valve	415-40594-02	415-40594-02	415-40594-02	415-40594-02
14	3/4 NPT Plug	---	---	239-11638-00	239-11638-00
15	Screw-#8-15 x 3/4 HWH	239-44195-00	239-44195-00	239-44195-00	239-44195-00
16	Screw-#10-12 x 3/4 HWH	239-44113-00	239-44113-00	239-44113-00	239-44113-00
17	Right Side Inner Door	239-48216-18	239-48216-20	239-48216-18	239-48216-18
18	Brass Drain Valve	415-42351-02	415-42351-02	415-42351-02	415-42351-02
19	Flammable Vapor Sensor Clip	239-45648-00	239-45648-00	239-45648-00	239-45648-00
20	Kit-Flammable Vapor Sensor (2 PCS.)	415-45560-00	415-45560-00	415-45560-00	415-45560-00
21	Outer Door	239-46209-00	239-46209-00	239-46209-00	239-46209-00
22	Gas Valve Direct Replacement Kit (NAT)	239-49823-02	239-49823-02	239-49823-02	239-49823-04
23	Sensor Harness	239-49791-00	239-49791-00	239-49791-00	239-49791-00
24	Air Inlet Relief Device	239-48391-00	239-48391-00	239-48392-00	239-49392-00
25	Inner Door Gasket Kit	239-51576-00	239-51576-00	239-51576-00	239-51576-00
26	Heat Trap Insert Kit (Inlet & Outlet)	265-51572-00	265-51572-00	265-51572-00	265-51572-00
27	ASSE Approved Mixing Valve (Optional)	239-51778-00	239-51778-00	239-51778-00	239-51778-00
28	Condensate Hose Kit (Optional)	415-45875-00	415-45875-00	415-45875-00	415-45875-00
29	Intake Vent Terminal Elbow	415-39831-00	415-39831-00	415-40579-00	415-40579-00
30	Exhaust Vent Terminal Elbow	415-39831-00	415-39831-00	415-40579-00	415-40579-00
31	Exhaust Adapter	239-45709-00	239-45709-00	239-45709-00	239-45709-00
32	Vent Adapter with Vent Terminal	239-47992-00	239-47992-00	239-48781-00	239-48781-00
33	Tee and Vent Pipe Assembly	239-51391-02	239-51391-01	239-47622-01	239-47622-01
34	Bracket-Vertical intake	239-47671-02	239-47671-02	239-47671-01	239-47671-01
35	Coupling-2 X 2	239-47850-00	239-47850-00	239-47850-00	239-47850-00
36	Air Intake Boot	239-47514-18	239-47514-20	239-47514-18	239-47514-18
37	Air Intake Boot Gasket**	239-47832-00	239-47832-00	239-47832-00	239-47832-00

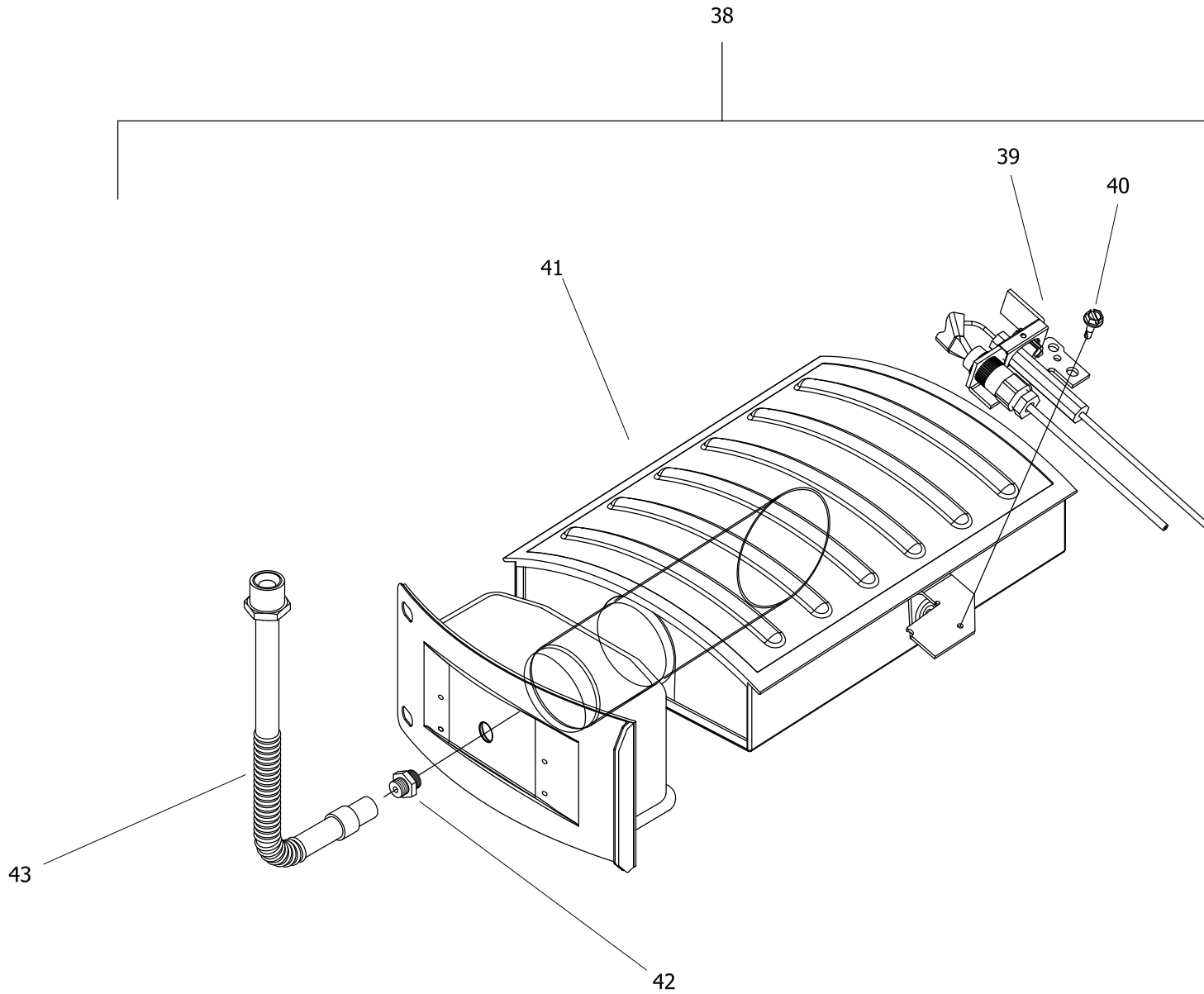
*Applies to all warranties

Anode may need to be cut to length

▲ Order with item 7

▲▲ Order with item 10

**Comes with item 36



NATURAL GAS (BN) BURNER ASSEMBLY

Item Description	Model URG2PDV40S*N	Model URG2PDV50S*N	Model URG2PDV50H*N	Model ULG2PDV50H50*N
<u>Natural Gas BN Burner Assembly</u>				
38 Nat. Gas Burner Assembly Complete***	265-51016-01-37	265-51016-02-37	265-48801-03-33	265-48801-03-33
39 Nat. Gas Pilot Assembly**	265-50195-01	265-50195-01	265-48175-04	265-48175-04
Nat. Gas Pilot Assembly with inner door gasket kit	265-51766-00	265-51766-00	265-51574-00	265-51574-00
40 Screw-#8-18 x 1/2	239-32761-00	239-32761-00	239-32761-00	239-32761-00
41 Nat. Gas (N) Burner**	228-48691-23	228-48691-24	228-48691-19	228-48691-19
42 Nat. Gas (N) Main Burner Orifice 0 Ft. to 2,000 Ft.**	234-18194-37	234-18194-37	234-18194-33	234-18194-33
Nat. Gas (N) High Altitude 2,100 Ft. to 7,000 Ft.**	234-18194-42	234-18194-42	234-18194-38	234-18194-38
Nat. Gas (N) High Altitude 7,001-10,000 Ft.	265-51320-03-43	265-51320-03-43	265-51320-03-41	265-51320-03-41
43 Nat. Gas Universal Feedline**	233-49398-02	233-49398-02	233-49398-02	233-49398-02

*Applies to all warranties

**Inner door gasket kit recommended

***Ordering a complete burner assembly may increase delivery time. Please order the specific component required for the quickest delivery.



United States

Sales 1-800-523-2931
Technical Support 1-800-334-3393
Email techsupport@bradfordwhite.com
Warranty 1-800-531-2111
Email warranty@bradfordwhite.com
Service Parts 1-800-538-2020
Email parts@bradfordwhite.com

Canada

Sales 1-866-690-0961 1-905-203-0600
Fax 905-636-0666
Warranty 1-800-531-2111
Email warranty@bradfordwhite.com
Technical Support 1-800-334-3393
Email techsupport@bradfordwhite.com
Service Parts and Orders ca.orders@bradfordwhite.com

For U.S. and Canada field service, contact your professional installer or local Bradford White sales representative.

International

General Contact international@bradfordwhite.com