



RESIDENTIAL ULTRA LOW NO_x REPLACEMENT PARTS LIST

Eco-Defender (URG(1,2)D) Models



Models Covered:

URG1D30T*N

URG1D40S*N

URG1D40T*N

URG1D50T*N

URG2D40S*N

URG2D50S*N

*Denotes warranty year

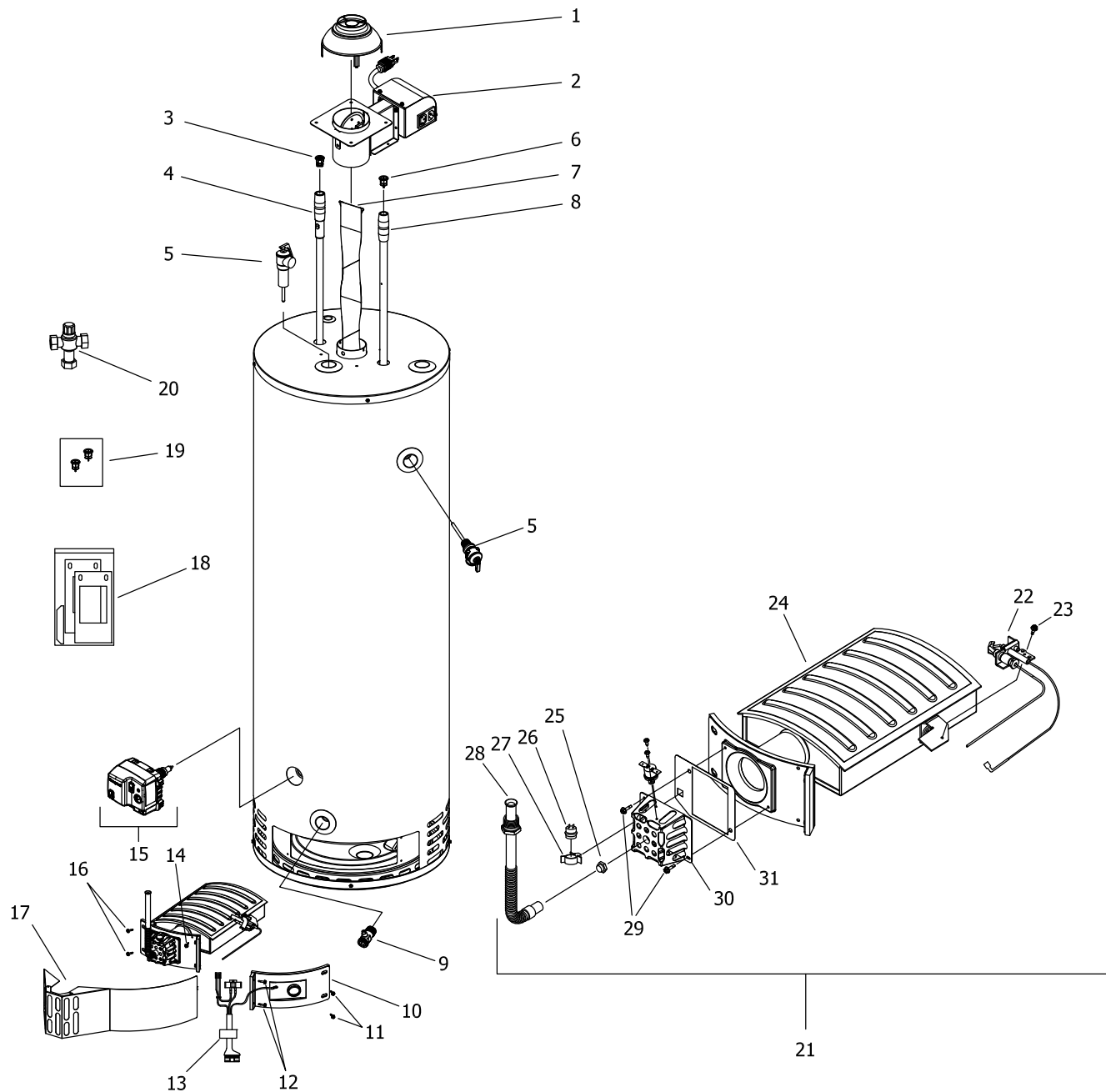
Effective: October, 2024
ECO 8780

NOTE: BOTH MODEL AND SERIAL NUMBERS ARE REQUIRED FOR ORDERING REPLACEMENT PARTS

Dimensions and specifications subject to change without notice.



As required by the state of California Proposition 65.



Item	Description	Model	Model	Model	Model
		URG1D30T*N	URG1D40S*N	URG1D40T*N	URG1D50T*N
1	Draft Diverter	243-45787-00	243-45787-00	243-45787-00	243-45787-00
2	Flue Damper	239-50659-00	239-50660-00	239-50659-00	239-50659-00
3	Heat Trap Insert (Outlet)	415-45167-00	415-45167-00	415-45167-00	415-45167-00
4	Hot Water Outlet Anode (Magnesium) ▲▲ #	415-55482-00	415-55482-00	415-55482-00	415-55482-00
	Hot Water Outlet Anode (Aluminum) ▲▲ #	415-55484-00	415-55484-00	415-55484-00	415-55484-00
	Hot Water Outlet Anode (A420 Aluminum) ▲▲ #	415-55486-00	415-55486-00	415-55486-00	415-55486-00
5	T&P Relief Valve	415-40594-02	415-40594-02	415-40594-02	415-40594-02
6	Heat Trap Insert (Inlet)	415-51556-00	415-51556-00	415-51556-00	415-51556-00
7	Flue Baffle	243-44639-00	243-51285-00	239-50065-03	243-44705-00
8	Cold Water Inlet Dip Tube (PEX) ▲	415-51230-19	415-51230-24	415-51230-21	415-51230-18
9	Drain Valve (Brass)	415-42351-02	415-42351-02	415-42351-02	415-42351-02
10	Inner Door Right Side Assembly	239-50664-01	239-50664-03	239-50664-02	239-50664-03
11	Screw #10-12 X 3/4 HWH (2 req'd)	239-52581-00	239-52581-00	239-52581-00	239-52581-00
12	Screw #8-15 X 3/4 INHXWS (2 req'd)	239-44195-00	239-44195-00	239-44195-00	239-44195-00
13	ULN FV Sensor, RTD & Thermal Switch Harness	239-49720-00	239-49720-00	239-49720-00	239-49720-00
14	Screw #8-15 X 3/4 INHXWS (2 req'd)	239-44195-00	239-44195-00	239-44195-00	239-44195-00
15	Gas Control Kit	239-49008-01	239-49008-01	239-49008-01	239-49008-01
16	Screw #10-12 X 3/4 HWH (2 req'd)	239-52581-00	239-52581-00	239-52581-00	239-52581-00
17	Outer Door	239-46209-00	239-46209-00	239-46209-00	239-46209-00
18	Kit-Inner Door Gasket	239-51576-00	239-51576-00	239-51576-00	239-51576-00
19	Kit-Heat Trap Insert	265-51572-00	265-51572-00	265-51572-00	265-51572-00
20	ASSE Approved Mixing Valve (Optional)	239-51778-00	239-51778-00	239-51778-00	239-51778-00
21	Burner Assembly (Normal Alt.)** ***	265-48329-06-42	265-48329-01-36	265-48329-05-36	265-48329-01-36
	Burner Assembly High Alt. 2,001 Ft. to 7,000 Ft. (-475 model suffixes)** ***	265-48329-06-44	265-48329-01-41	265-48329-05-41	265-48329-01-41
22	Pilot Assembly Kit without Door Gaskets**	265-48175-04	265-48175-04	265-48175-04	265-48175-04
23	Screw #8-18 X 1/2 HWH (1 req'd)	239-32761-00	239-32761-00	239-32761-00	239-32761-00
24	Burner **	228-48383-14	228-48383-18	228-48383-16	228-48383-18
25	Main Burner Orifice 0 Ft. to 2,000 Ft.**	234-18194-42	234-18194-36	234-18194-36	234-18194-36
	Main Burner High Alt. 2,001 Ft. to 7,000 Ft. (-475 model suffixes) **	234-18194-44	234-18194-41	234-18194-41	234-18194-41
	Main Burner High Altitude Orifice Kit 7,001 Ft. to 10,000 Ft.	265-51320-01-47	265-51320-01-43	265-51320-01-43	265-51320-01-43
26	FVIR Sensor	415-45560-00	415-45560-00	415-45560-00	415-45560-00
27	FVIR Sensor Clip	239-45648-00	239-45648-00	239-45648-00	239-45648-00
28	Flexible Gas Feedline	233-46930-01	233-46930-01	233-46930-01	233-46930-01
29	Screw #8-15 X 3/4 INHXWS (2 req'd)	239-44195-00	239-44195-00	239-44195-00	239-44195-00
30	Assembly Manifold Mount	239-46695-00	239-46695-00	239-46695-00	239-46695-00
31	FVIR Sensor Mount Plate	239-48341-00	239-48341-00	239-48341-00	239-48341-00

*Applies to all warranties

**Inner door gasket kit recommended

***Ordering a complete burner assembly may increase delivery time. Please order the specific component required for the quickest delivery.

▲ Order with item 6

▲▲ Order with item 3

Anode may need to be cut to length

Item	Description	Model	Model
		URG2D40S*N	URG2D50S*N
1	Draft Diverter	243-45787-00	243-45787-00
2	Flue Damper	239-50660-00	239-50660-00
3	Heat Trap Insert (Outlet)	415-45167-00	415-45167-00
4	Hot Water Outlet Anode (Magnesium) ▲▲ #	415-55482-00	415-55482-00
	Hot Water Outlet Anode (Aluminum) ▲▲ #	415-55484-00	415-55484-00
	Hot Water Outlet Anode (A420 Aluminum) ▲▲ #	415-55486-00	415-55486-00
5	T&P Relief Valve	415-40594-02	415-40594-02
6	Heat Trap Insert (Inlet)	415-51556-00	415-51556-00
7	Flue Baffle	243-52133-00	243-47898-00
8	Cold Water Inlet Dip Tube (PEX) ▲	229-51230-31	229-51230-32
9	Drain Valve (Brass)	415-42351-02	415-42351-02
10	Inner Door Right Side Assembly	239-50664-03	239-50664-03
11	Screw #10-12 X 3/4 HWH (2 req'd)	239-52581-00	239-52581-00
12	Screw #8-15 X 3/4 INHXWS (2 req'd)	239-44195-00	239-44195-00
13	ULN FV Sensor, RTD & Thermal Switch Harness	239-49720-00	239-49720-00
14	Screw #8-15 X 3/4 INHXWS (2 req'd)	239-44195-00	239-44195-00
15	Gas Control Kit	239-49008-01	239-49008-01
16	Screw #10-12 X 3/4 HWH (2 req'd)	239-52581-00	239-52581-00
17	Outer Door	239-46209-00	239-46209-00
18	Kit-Inner Door Gasket	239-51576-00	239-51576-00
19	Kit-Heat Trap Insert	265-51572-00	265-51572-00
20	ASSE Approved Mixing Valve (Optional)	239-51778-00	239-51778-00
21	Burner Assembly (Normal Alt.)** ***	265-48329-01-37	265-48329-03-37
	Burner Assembly High Alt. 2,001 Ft. to 7,000 Ft. (-475 model suffixes)** ***	265-48329-01-42	265-48329-03-42
22	Pilot Assembly Kit without Door Gaskets**	265-50195-02	265-48175-04
23	Screw #8-18 X 1/2 HWH (1 req'd)	239-32761-00	239-32761-00
24	Burner **	228-48383-18	228-48383-19
25	Main Burner Orifice 0 Ft. to 2,000 Ft.**	234-18194-37	234-18194-37
	Main Burner High Alt. 2,001 Ft. to 7,000 Ft. (-475 model suffixes) **	234-18194-42	234-18194-42
	Main Burner High Altitude Orifice Kit 7,001 Ft. to 10,000 Ft.	265-51320-01-43	265-51320-01-43
26	FVIR Sensor	415-45560-00	415-45560-00
27	FVIR Sensor Clip	239-45648-00	239-45648-00
28	Flexible Gas Feedline	233-46930-01	233-46930-01
29	Screw #8-15 X 3/4 INHXWS (2 req'd)	239-44195-00	239-44195-00
30	Assembly Manifold Mount	239-46695-00	239-46695-00
31	FVIR Sensor Mount Plate	239-48341-00	239-48341-00

*Applies to all warranties

**Inner door gasket kit recommended

***Ordering a complete burner assembly may increase delivery time. Please order the specific component required for the quickest delivery.

▲ Order with item 6

▲▲ Order with item 3

Anode may need to be cut to length



United States

Sales 1-800-523-2931
Technical Support 1-800-334-3393
Email techsupport@bradfordwhite.com
Warranty 1-800-531-2111
Email warranty@bradfordwhite.com
Service Parts 1-800-538-2020
Email parts@bradfordwhite.com

Canada

Sales 1-866-690-0961 1-905-203-0600
Fax 905-636-0666
Warranty 1-800-531-2111
Email warranty@bradfordwhite.com
Technical Support 1-800-334-3393
Email techsupport@bradfordwhite.com
Service Parts and Orders ca.orders@bradfordwhite.com

For U.S. and Canada field service, contact your professional installer or local Bradford White sales representative.

International

General Contact international@bradfordwhite.com