



RESIDENTIAL GAS REPLACEMENT PARTS LIST

Eco-Defender Ultra Low NOx URG & ULG



Models Covered:
URG(130, 140, 150)T*N
URG(230, 240, 250)T*N
URG240S*N
ULG250H55*N
URG250H*N
URG250L*N
URG250S*N

*Denotes warranty year

Effective: October, 2024
ECO 8780

**NOTE: BOTH MODEL AND SERIAL
NUMBERS ARE REQUIRED FOR
ORDERING REPLACEMENT PARTS**

Dimensions and specifications
subject to change without notice.



As required by the state of California Proposition 65.

Item	Description	Model	Model	Model
		URG130T*N	URG140T*N	URG150T*N
1	Flue Baffle	243-51480-00	243-54462-00	243-54462-00
2	Hot Water Outlet Anode (Magnesium) ▲#	415-55482-00	415-55482-00	415-55482-00
	Hot Water Outlet Anode (Aluminum) ▲#	415-55484-00	415-55484-00	415-55484-00
	Hot Water Outlet Anode (A420 Aluminum) ▲ #	415-55486-00	415-55486-00	415-55486-00
3	Cold Water Inlet Dip Tube ▲	415-51230-19	415-39625-25	415-39625-22
4	T&P Relief Valve	415-40594-03	415-40594-03	415-40594-03
5	Drain Valve (Brass)	415-42351-02	415-42351-02	415-42351-02
6	Gas Valve (Natural)	415-52915-01	415-52915-01	415-52915-01
7	Main Burner Orifice 0 Ft. to 2,000 Ft.**	234-18194-43	234-18194-41	234-18194-41
	Main Burner High Altitude 2,001 Ft. to 7,000 Ft. (-475 model suffixes)**	234-18194-46	234-18194-44	234-18194-44
8	Outer Door	239-46209-00	239-46209-00	239-46209-00
9	Draft Diverter	239-45787-00	239-45787-00	239-45787-00
10	Burner Assembly (Normal alt.)***	265-46693-01-43	265-46693-03-41	265-46693-05-41
	Burner Assembly (Hi-alt./2,001-7,000 ft.)***	265-46693-01-47	265-46693-03-44	265-46693-05-44
11	Burner **	228-48383-14	228-48383-16	228-48383-18
12	Flexible Gas Feedline	233-46930-01	233-46930-01	233-46930-01
13	Pilot Assembly Kit without Door Gasket**	415-48999-05	415-48999-05	415-48999-05
	Pilot Assembly Kit with Door Gasket	265-47449-00	265-47449-00	265-47449-00
14	Screw #8-18 X 1/2 HWH (1 req'd)	239-32761-00	239-32761-00	239-32761-00
15	Thermal Switch Kit (5 PCS)	415-43676-03	415-43676-03	415-43676-03
16	Screw #6-20 X 3/8 PHCR (2 req'd)	239-43967-00	239-43967-00	239-43967-00
17	Screw #8-15 X 3/4 INHXWS Slot (2 req'd)	239-44195-00	239-44195-00	239-44195-00
18	Inner Door Right Side Assembly	239-49784-01	239-49784-02	239-49784-03
19	Screw #10-12 X 3/4 HWH (4 req'd)	239-52581-00	239-52581-00	239-52581-00
20	Spring Clip (Feedline)	239-47475-00	239-47475-00	239-47475-00
21	ASSE Approved Mixing Valve (Optional)	239-51778-00	239-51778-00	239-51778-00
22	Kit-Inner Door Gasket	239-47062-00	239-47062-00	239-47062-00
23	Kit-Heat Trap Insert (Inlet & Outlet)	265-51572-00	265-45419-00	265-45419-00
24	Intermediate Gas Valve Harness	239-47892-01	239-47892-01	239-47892-01
25	Insulation Kit	239-51674-00	239-51674-00	239-51674-00
26	Gas Control to Thermopile Harness	239-50019-01	239-50019-01	239-50019-01
27	RTD Sensor	415-49785-00	415-49785-00	415-49785-00
28	Screw #8-18 X 3/4	239-81253-00	239-81253-00	239-81253-00

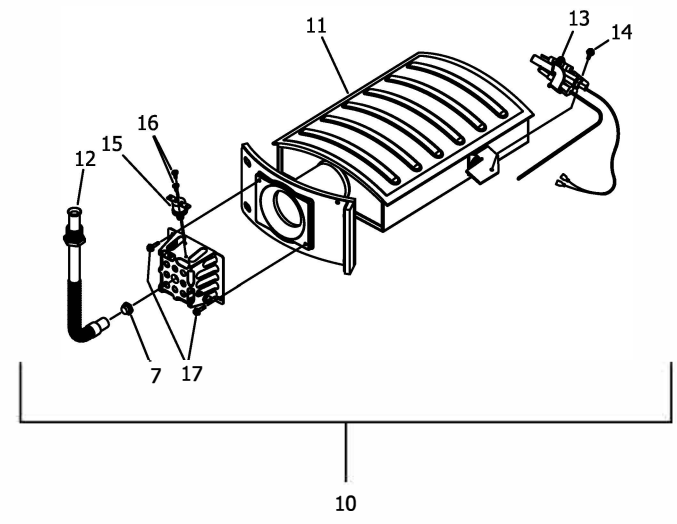
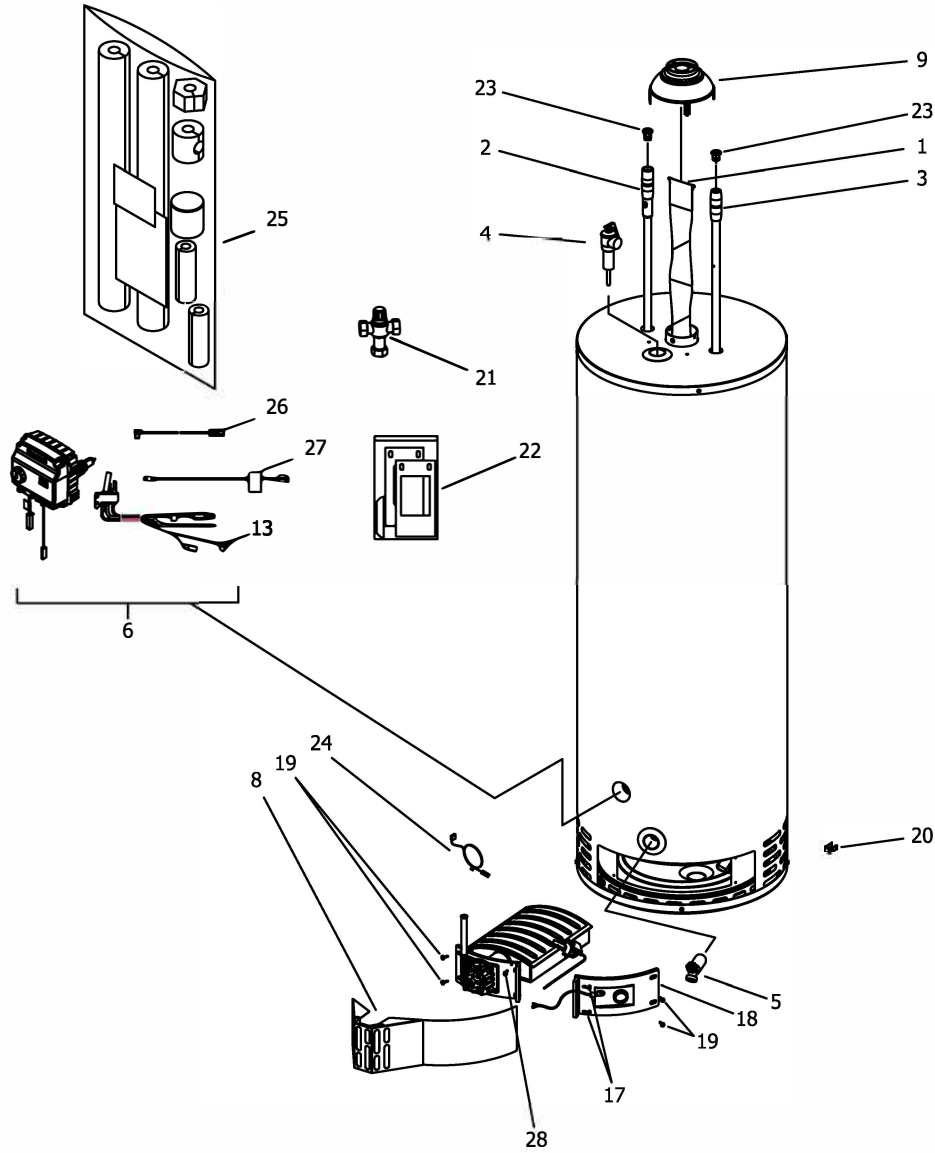
* Applies to all warranties

** Inner door gasket kit recommended

*** Ordering a complete burner assembly may increase delivery time. Please order the specific component required for the quickest delivery.

▲ Order with item 23

Anode may need to be cut to length; see end of this parts list for further information.



Item	Description	Model	Model	Model	Model
		URG230T*N	URG240S*N	URG240T*N	ULG250H55*N
1	Flue Baffle	243-44639-00	243-52980-00	243-52582-00	---
	Flue Core	---	---	---	239-51837-00
2	Hot Water Outlet Anode (Magnesium) ▲#	415-55482-00	415-55482-00	415-55482-00	415-55482-00
	Hot Water Outlet Anode (Aluminum) ▲#	415-55484-00	415-55484-00	415-55484-00	415-55484-00
	Hot Water Outlet Anode (A420 Aluminum) ▲ #	415-55486-00	415-55486-00	415-55486-00	415-55486-00
3	Cold Water Inlet Dip Tube ▲	415-51230-19	229-53466-02	229-53466-01	415-51230-29
4	T&P Relief Valve	415-40594-03	415-40594-03	415-40594-03	415-40594-03
5	Drain Valve (Brass)	415-42351-02	415-42351-02	415-42351-02	415-42351-02
6	Gas valve (Natural)	415-52915-01	415-52915-01	415-52915-01	415-52916-01
7	Main Burner Orifice 0 Ft. to 2,000 Ft.**	234-18194-42	234-18194-36	234-18194-36	234-18194-30
	Main Burner High Altitude 2,001 Ft. to 7,000 Ft. (-475 model suffixes)**	234-18194-44	234-18194-41	234-18194-41	234-18194-32
8	Outer Door	239-46209-00	239-46209-00	239-46209-00	239-46209-00
9	Draft Diverter	239-45787-00	239-45787-00	239-45787-00	239-33081-02-20-15
10	Burner Assembly (Normal alt.)***	265-46693-01-42	265-46693-05-36	265-46693-03-36	265-46693-08-30
	Burner Assembly (Hi-alt./2,001-7000 ft.)***	265-46693-01-44	265-46693-05-41	265-46693-03-41	265-46693-08-32
11	Burner **	228-48383-14	228-48383-18	228-48383-16	228-48383-19
12	Flexible Gas Feedline	233-46930-01	233-46930-01	233-46930-01	233-46930-01
13	Pilot Assembly Kit without Door Gasket**	415-48999-05	415-48999-05	415-48999-05	415-48999-05
	Pilot Assembly Kit with Door Gasket	265-47449-00	265-47449-00	265-47449-00	265-47449-00
14	Screw #8-18 X 1/2 HWH (1 req'd)	239-32761-00	239-32761-00	239-32761-00	239-32761-00
15	Thermal Switch Kit (5 PCS)	415-43676-03	415-43676-03	415-43676-03	415-43676-03
16	Screw #6-20 X 3/8 PHCR (2 req'd)	239-43967-00	239-43967-00	239-43967-00	239-43967-00
17	Screw #8-15 X 3/4 INHXWS Slot (2 req'd)	239-44195-00	239-44195-00	239-44195-00	239-44195-00
18	Inner Door Right Side Assembly	239-49784-01	239-49784-03	239-49784-02	239-49784-03
19	Screw #10-12 X 3/4 HWH (4 req'd)	239-52581-00	239-52581-00	239-52581-00	239-52581-00
20	Spring Clip (Feedline)	239-47475-00	239-47475-00	239-47475-00	239-47475-00
21	ASSE Approved Mixing Valve (Optional)	239-51778-00	239-51778-00	239-51778-00	239-51778-00
22	Kit-Inner Door Gasket	239-47062-00	239-47062-00	239-47062-00	239-47062-00
23	Kit-Heat Trap Insert (Inlet & Outlet)	265-51572-00	265-45420-00	265-45420-00	265-51572-00
24	Intermediate Gas Valve Harness	239-47892-01	239-47892-01	239-47892-01	239-47892-01
25	Insulation Kit	---	---	239-48949-00	---
26	Gas Control to Thermopile Harness	239-50019-01	239-50019-01	239-50019-01	239-50019-01
27	RTD Sensor	415-49785-00	415-49785-00	415-49785-00	415-49785-00
28	Screw #8-18 X 3/4	239-81253-00	239-81253-00	239-81253-00	239-81253-00
29	Pipe Plug	---	---	---	239-11638-00

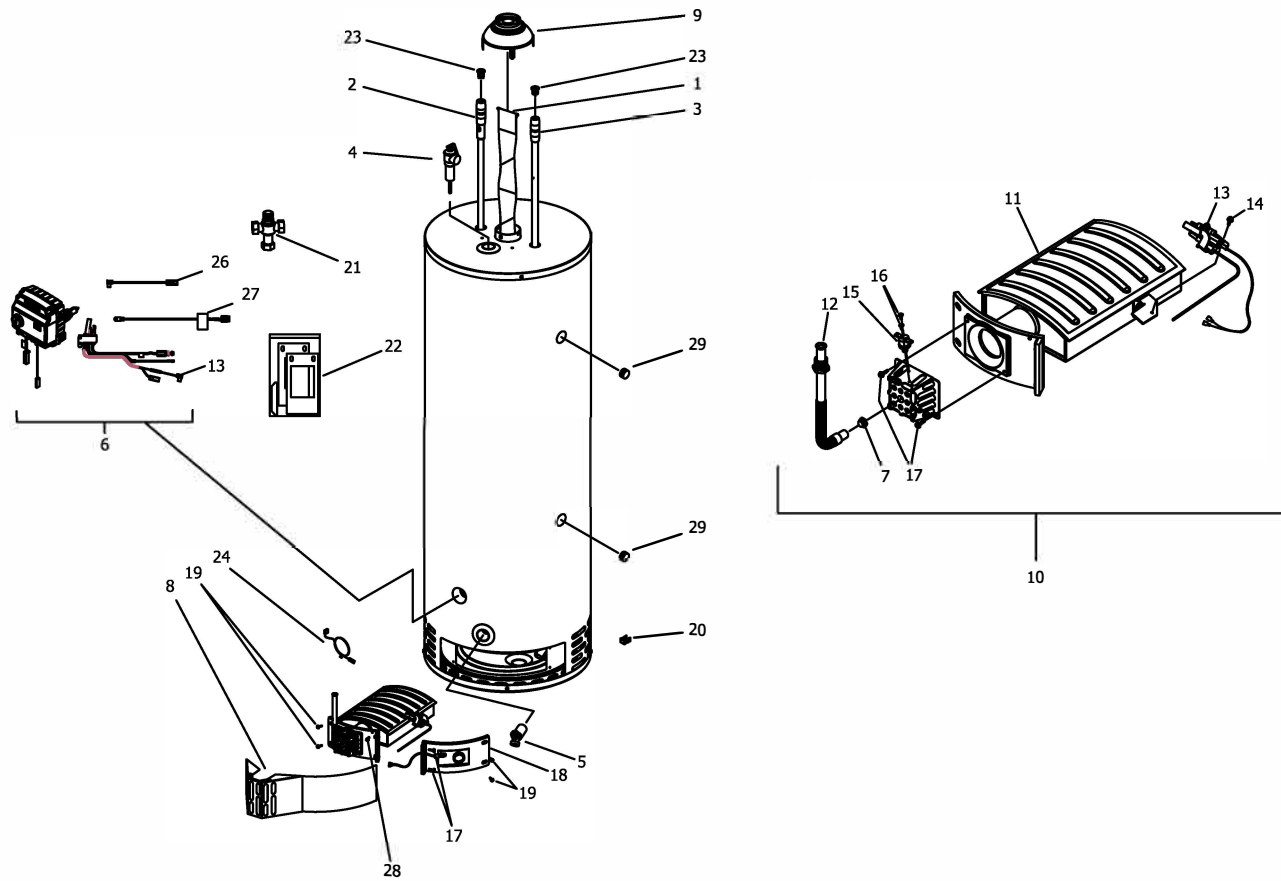
* Applies to all warranties

** Inner door gasket kit recommended

*** Ordering a complete burner assembly may increase delivery time. Please order the specific component required for the quickest delivery.

▲ Order with item 23

Anode may need to be cut to length; see end of this parts list for further information.



Item	Description	Model	Model	Model	Model
		URG250H*N	URG250L*N	URG250S*N	URG250T*N
1	Flue Baffle	---	243-45223-00	243-53148-00	243-44705-00
	Flue Core	239-51837-00	---	---	---
2	Hot Water Outlet Anode (Magnesium) ▲#	415-55482-00	415-55482-00	415-55482-00	415-55482-00
	Hot Water Outlet Anode (Aluminum) ▲#	415-55484-00	415-55484-00	415-55484-00	415-55484-00
	Hot Water Outlet Anode (A420 Aluminum) ▲ #	415-55486-00	415-55486-00	415-55486-00	415-55486-00
3	Cold Water Inlet Dip Tube ▲	415-45092-08	415-51230-20	415-51230-14	415-39625-22
4	T&P Relief Valve	415-40594-03	415-40594-03	415-40594-03	415-40594-03
5	Drain Valve (Brass)	415-42351-02	415-42351-02	415-42351-02	415-42351-02
6	Gas Valve (Natural)	415-52915-01	415-52915-01	415-52915-01	415-52915-01
7	Main Burner Orifice 0 Ft. to 2,000 Ft.**	234-18194-30	234-18194-36	234-18194-32	234-18194-36
	Main Burner High Altitude 2,001 Ft. to 7,000 Ft. (-475 model suffixes) **	234-18194-32	234-18194-41	234-18194-36	234-18194-41
8	Outer Door	239-46209-00	239-46209-00	239-46209-00	239-46209-00
9	Draft Diverter	239-33081-02-20-15	239-45787-00	239-33081-02-20-15	239-45787-00
10	Burner Assembly (Normal alt.)***	265-46693-08-30	265-46693-07-36	265-46693-08-32	265-46693-05-36
	Burner Assembly (Hi-alt./2,001-7000 ft.)***	265-46693-08-32	265-46693-07-41	265-46693-08-36	265-46693-05-41
11	Burner **	228-48383-19	228-48383-20	228-48383-19	228-48383-18
12	Flexible Gas Feedline	233-46930-01	233-46930-01	233-46930-01	233-46930-01
13	Pilot Assembly Kit without Door Gasket**	415-48999-05	415-48999-05	415-48999-05	415-48999-05
	Pilot Assembly Kit with Door Gasket	265-47449-00	265-47449-00	265-47449-00	265-47449-00
14	Screw #8-18 X 1/2 HWH (1 req'd)	239-32761-00	239-32761-00	239-32761-00	239-32761-00
15	Thermal Switch Kit (5 PCS)	415-43676-03	415-43676-03	415-43676-03	415-43676-03
16	Screw #6-20 X 3/8 PHCR (2 req'd)	239-43967-00	239-43967-00	239-43967-00	239-43967-00
17	Screw #8-15 X 3/4 INHXWS Slot (2 req'd)	239-44195-00	239-44195-00	239-44195-00	239-44195-00
18	Inner Door Right Side Assembly	239-49784-03	239-49784-04	239-49784-03	239-49784-03
19	Screw #10-12 X 3/4 HWH (4 req'd)	239-52581-00	239-52581-00	239-52581-00	239-52581-00
20	Spring Clip (Feedline)	239-47475-00	239-47475-00	239-47475-00	239-47475-00
21	ASSE Approved Mixing Valve (Optional)	239-51778-00	239-51778-00	239-51778-00	239-51778-00
22	Kit-Inner Door Gasket	239-47062-00	239-47062-00	239-47062-00	239-47062-00
23	Kit-Heat Trap Insert (Inlet & Outlet)	265-45420-00	265-51572-00	265-51572-00	265-45419-00
24	Intermediate Gas Valve Harness	239-47892-01	239-47892-01	239-47892-01	239-47892-01
26	Gas Control to Thermopile Harness	239-50019-01	239-50019-01	239-50019-01	239-50019-01
27	RTD Sensor	415-49785-00	415-49785-00	415-49785-00	415-49785-00
28	Screw #8-18 X 3/4	239-81253-00	239-81253-00	239-81253-00	239-81253-00
29	Pipe Plug	239-11638-00	---	---	---

* Applies to all warranties

** Inner door gasket kit recommended

*** Ordering a complete burner assembly may increase delivery time. Please order the specific component required for the quickest delivery.

▲ Order with item 23

Anode may need to be cut to length; see end of this parts list for further information.



United States

Sales 1-800-523-2931
Technical Support 1-800-334-3393
Email techsupport@bradfordwhite.com
Warranty 1-800-531-2111
Email warranty@bradfordwhite.com
Service Parts 1-800-538-2020
Email parts@bradfordwhite.com

Canada

Sales 1-866-690-0961 1-905-203-0600
Fax 905-636-0666
Warranty 1-800-531-2111
Email warranty@bradfordwhite.com
Technical Support 1-800-334-3393
Email techsupport@bradfordwhite.com
Service Parts and Orders ca.orders@bradfordwhite.com

For U.S. and Canada field service, contact your professional installer or local Bradford White sales representative.

International

General Contact international@bradfordwhite.com