



BRADFORD WHITE®
WATER HEATERS

**Residential & Light Duty Commercial Gas
Replacement Parts List
High-Input Direct Vent Models**



Models Covered:
RG2DV40S*(N,X)
(-OLY,-FLX,-SLD)(-500,-600)
RG2DV50S*(N,X)
(-OLY,-FLX,-SLD)(-500,-600)
RG2DV50H*(N,X)
(-OLY,-FLX,-SLD)(-500,-600)
LG2DV50H50*(N,X)
(-OLY,-FLX,-SLD)
*Denotes warranty year

Includes Hydrojet®
Total Performance System

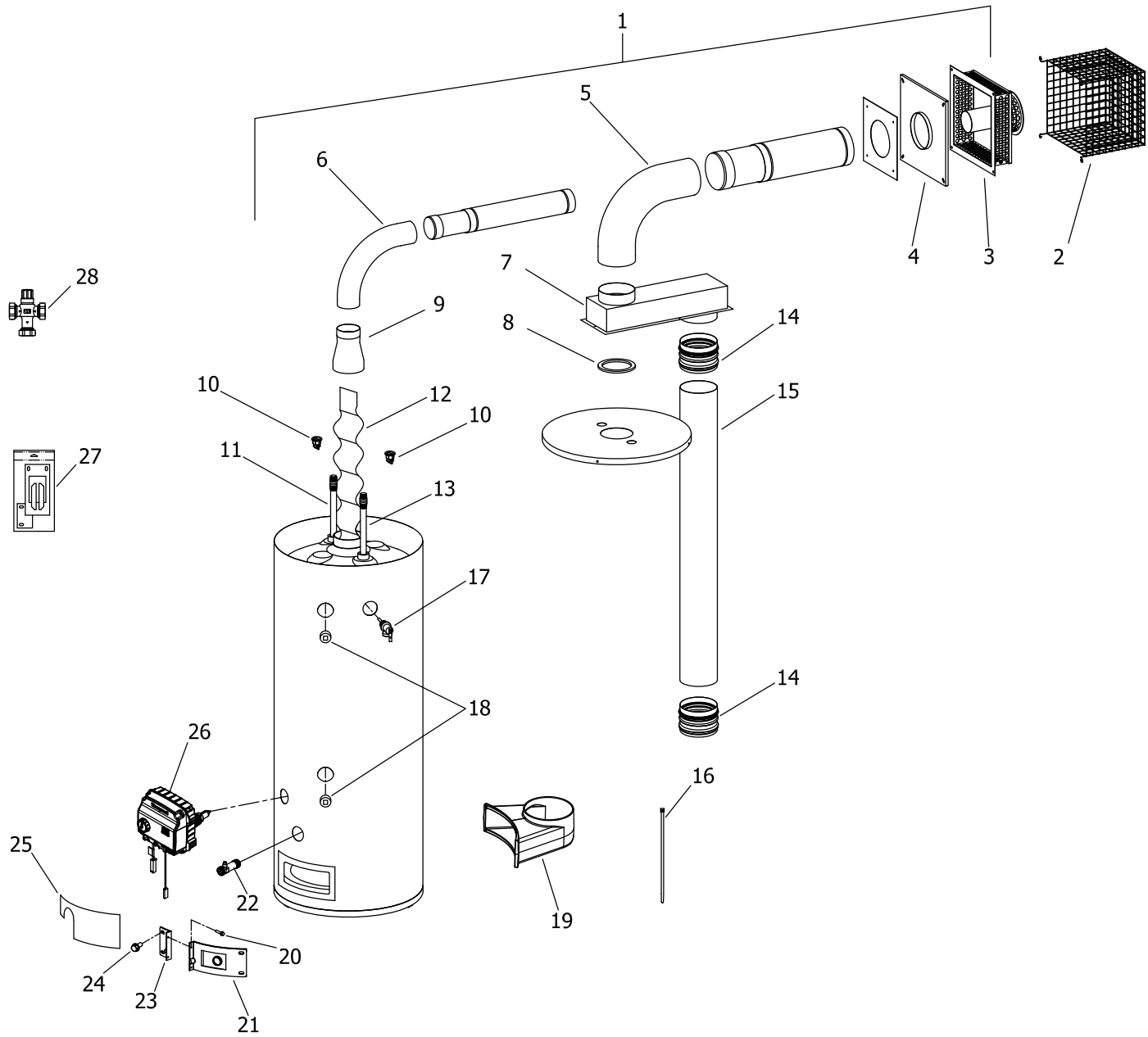
Effective: October, 2024
ECO 8780

**NOTE: BOTH MODEL AND SERIAL
NUMBERS ARE REQUIRED FOR
ORDERING REPLACEMENT PARTS**

Dimensions and specifications
subject to change without notice.

WARNING
CANCER AND REPRODUCTIVE HARM
WWW.P65WARNINGS.CA.GOV

As required by the state of California Proposition 65.



| Item | Description | Model | Model | Model | Model |
|------|--|------------------------------------|------------------------------------|------------------------------------|--------------------------------------|
| | | RG2DV40S*(N,X) (-OLY,-FLX,-SLD) | RG2DV50S*(N,X) (-OLY,-FLX,-SLD) | RG2DV50H*(N,X) (-OLY,-FLX,-SLD) | LG2DV50H50*(N,X) (-OLY,-FLX,-SLD) |
| 1 | Aluminum Venting (Solid) | 415-51283-00 | 415-51283-00 | 415-51286-00 | 415-51286-00 |
| | Aluminum Venting (Flexible) | 415-51284-00 | 415-51284-00 | 415-51287-00 | 415-51287-00 |
| 2 | Direct Vent-Air Intake Terminal Guard (Optional) | 415-41453-00 | 415-41453-00 | 415-41453-00 | 415-41453-00 |
| 3 | Direct Vent-Air Intake Terminal (Flexible & Solid) | 415-41425-00 | 415-41425-00 | 239-42274-00 | 239-42274-00 |
| 4 | Outer Wall Mounting Plate (Flexible & Solid) | 415-41431-00 | 415-41431-00 | 239-42447-00 | 239-42447-00 |
| 5 | 6" Diameter Elbow (Solid Only) | --- | --- | 239-42067-00 | 239-42067-00 |
| | 5" Diameter Elbow (Solid Only) | 239-41007-00 | 239-41007-00 | --- | --- |
| 6 | 4" Diameter Elbow (Solid Only) | --- | --- | 239-42068-00 | 239-42068-00 |
| | 3" Diameter Elbow (Solid Only) | 239-41008-00 | 239-41008-00 | --- | --- |
| 7 | Plenum | 239-47663-00 | 239-47663-00 | 239-47668-01 | 239-47668-01 |
| 8 | Plenum Gasket | 239-41070-01 | 239-41070-01 | 239-41070-02 | 239-41070-02 |
| 9 | Flue Reducer | 239-41009-00 | 239-41009-00 | 239-42066-00 | 239-42066-00 |
| 10 | Heat Trap Insert (Outlet & Inlet) Kit | 265-51572-00 | 265-51572-00 | 265-51572-00 | 265-51572-00 |
| 11 | Hot Water Outlet Anode (Magnesium)▲ # | 415-55482-00 | 415-55482-00 | 415-55482-00 | 415-55482-00 |
| | Hot Water Outlet Anode (Aluminum)▲# | 415-55484-00 | 415-55484-00 | 415-55484-00 | 415-55484-00 |
| | Hot Water Outlet Anode (A420 Aluminum)▲# | 415-55486-00 | 415-55486-00 | 415-55486-00 | 415-55486-00 |
| 12 | Flue Baffle | 243-47511-00 | 243-51013-00 | 243-50921-00 | 243-50921-00 |
| 13 | Cold Water Inlet Dip Tube (PEX)▲▲ | 415-51230-25 | 229-51230-26 | 415-51230-20 | 415-51230-25 |
| 14 | Coupler (2 Required)◆ | 239-50102-00 | 239-50102-00 | 239-50102-00 | 239-50102-00 |
| 15 | Air Intake Tube | 239-50099-05 | 239-50099-06 | 239-50099-06 | 239-50099-06 |
| 16 | Wire Tie | 239-44328-00 | 239-44328-00 | 239-44328-00 | 239-44328-00 |
| 17 | T&P Relief Valve | 415-40594-02 | 415-40594-02 | 415-40594-02 | 415-40594-02 |
| 18 | 3/4 NPT Plug | --- | --- | 239-11638-00 | 239-11638-00 |
| 19 | Air Intake Boot w/ Gasket | 239-47771-18 | 239-47771-18 | 239-47771-18 | 239-47771-18 |
| 20 | Screw-8-15 X 3/4 INHXWS Slot | 239-44195-00 | 239-44195-00 | 239-44195-00 | 239-44195-00 |
| 21 | Right Side Inner Door w/ Gasket | 239-45642-18 | 239-45642-18 | 239-45642-18 | 239-45642-18 |
| 22 | Brass Drain Valve | 415-42351-02 | 415-42351-02 | 415-42351-02 | 415-42351-02 |
| 23 | Left Side Inner Door w/ Gasket | 239-43968-18 | 239-43968-18 | 239-43968-18 | 239-43968-18 |
| 24 | Screw-#10-12 x 3/4 HWH | 239-52581-00 | 239-52581-00 | 239-52581-00 | 239-52581-00 |
| 25 | Outer Door | 243-43962-00 | 243-43962-00 | 243-43962-00 | 243-43962-00 |
| 26 | Gas Control Direct Replacement Natural Gas | 415-52907-02 | 415-52907-02 | 415-52907-02 | 415-52908-02 |
| | Gas Control Direct Replacement LP Gas | 415-52909-02 | 415-52909-02 | 415-52909-02 | 415-52910-02 |
| 27 | Inner Door Gasket Kit | 239-49987-00 | 239-49987-00 | 239-49987-00 | 239-49987-00 |
| 28 | ASSE Approved Mixing Valve (Optional) | 239-51778-00 | 239-51778-00 | 239-51778-00 | 239-51778-00 |

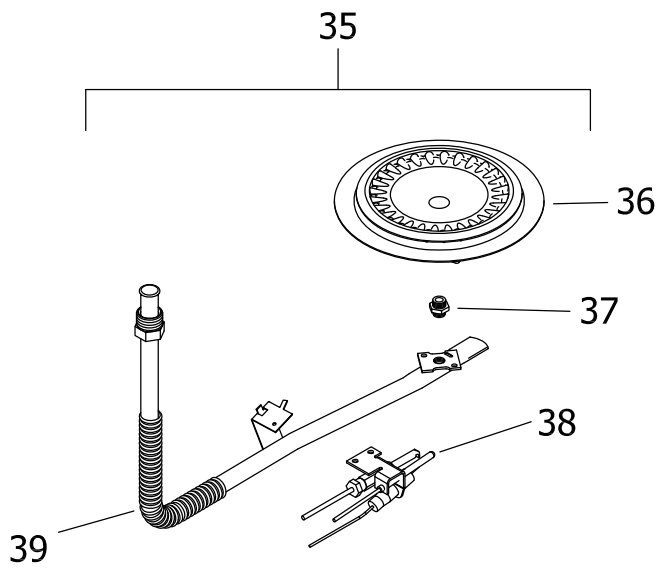
* Applies to all warranties

Anode may need to be cut to length

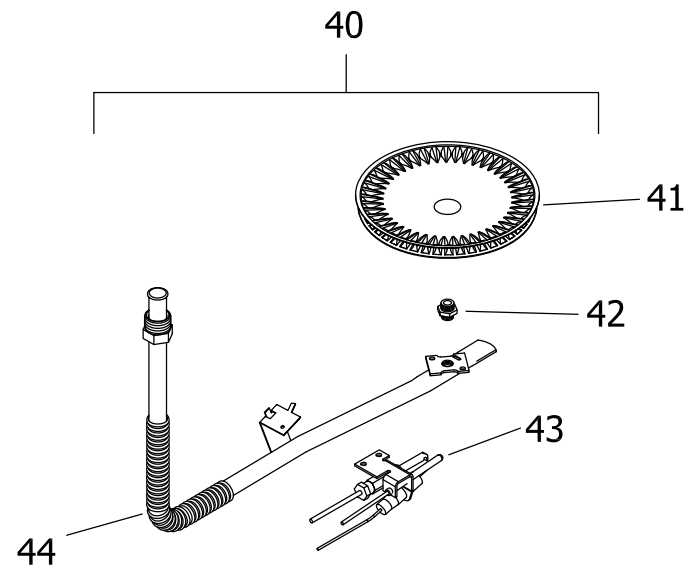
◆ Air intake tube (item #15) should be purchased with coupler (item #14).

▲ Order with item #10

▲▲ Order with item #13



NATURAL GAS (N) BURNER ASSEMBLY



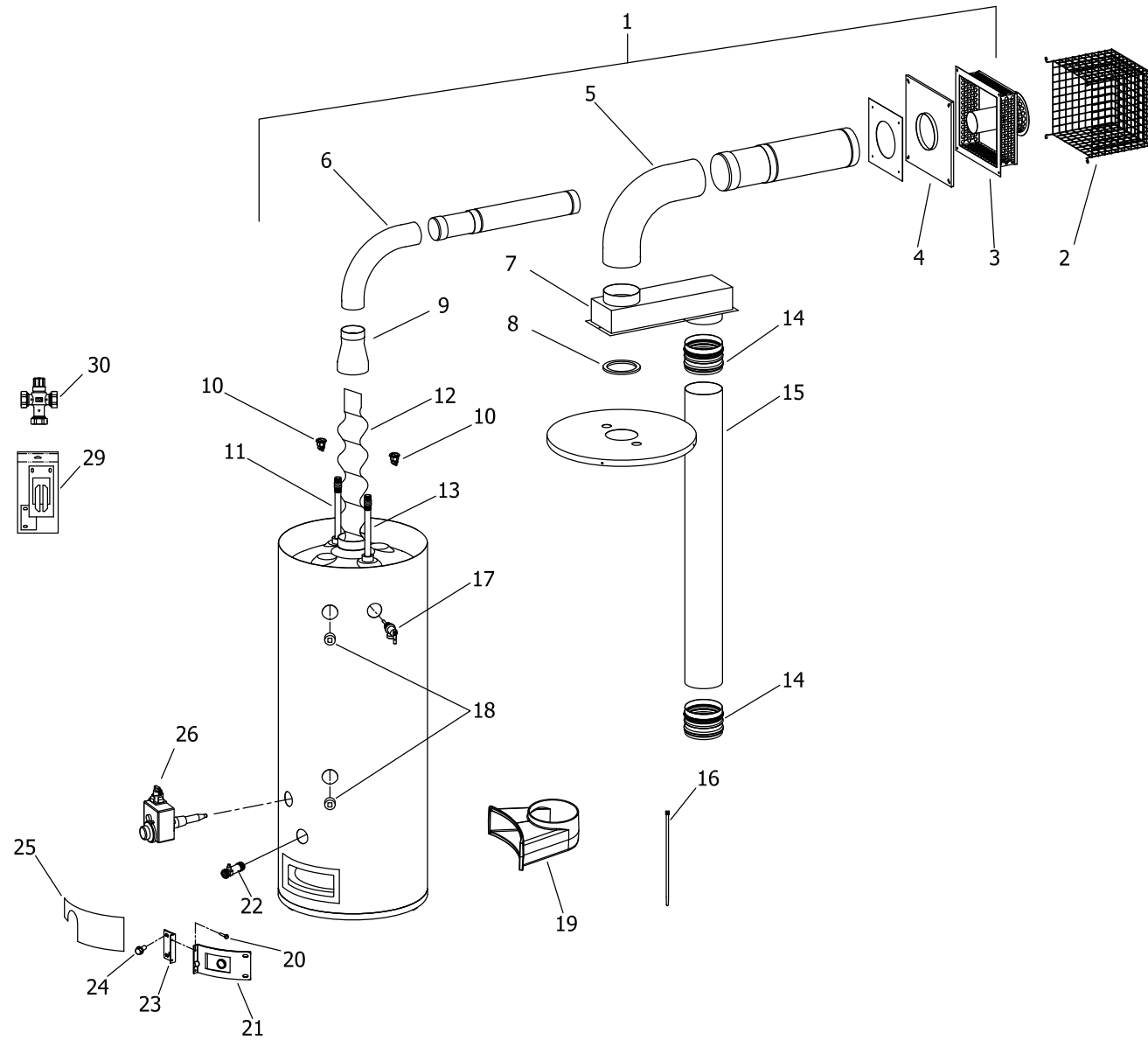
LP GAS (X) BURNER ASSEMBLY

| Item | Description | Model RG2DV40S*(N,X) (-OLY,-FLX,-SLD) | Model RG2DV50S*(N,X) (-OLY,-FLX,-SLD) | Model RG2DV50H*(N,X) (-OLY,-FLX,-SLD) | Model LG2DV50H50*(N,X) (-OLY,-FLX,-SLD) |
|--|--|---|---|---|---|
| Natural Gas (N) Burner Assembly | | | | | |
| 35 | Nat. Gas Burner Assembly Complete*** | 265-48110-06-33 | 265-48110-06-32 | 265-48110-06-31 | 265-48110-06-31 |
| 36 | Nat. Gas BN Burner** | 228-42506-00 | 228-42506-00 | 228-42506-00 | 228-42506-00 |
| 37 | Nat. Gas (N) Main Burner Orifice 0 Ft. to 2,000 Ft. ** | 234-41034-33 | 234-41034-32 | 234-41034-31 | 234-41034-31 |
| | Nat. Gas (N) High Altitude Orifice 2,001 Ft. to 7,000 Ft. (-475 model suffixes) ** | 234-41034-38 | 234-41034-36 | 234-41034-35 | 234-41034-35 |
| | Nat. Gas (N) High Altitude Orifice Kit 7,001 Ft. to 10,000 Ft. | 265-51311-02-41 | 265-51311-02-40 | 265-51311-02-38 | 265-51311-02-38 |
| 38 | Nat. Gas Pilot Assembly | 233-48077-02 | 233-48077-02 | 233-48077-02 | 233-48077-02 |
| 39 | Nat. Gas Feedline | 233-48095-05 | 233-48095-05 | 233-48095-05 | 233-48095-05 |
| LP Gas (X) Burner Assembly | | | | | |
| 40 | LP Gas Burner Assembly Complete*** | 265-47440-28-50 | 265-47440-28-49 | 265-47440-29-47 | 265-47440-29-47 |
| 41 | LP Gas (X) Burner** | 228-46964-00 | 228-46964-00 | 228-47000-00 | 228-47000-00 |
| 42 | LP Gas (X) Main Burner Orifice 0 Ft. to 2,000 Ft. ** | 234-47064-50 | 234-47064-49 | 234-47064-47 | 234-47064-47 |
| | LP Gas (X) High Altitude Orifice 2,001 Ft. to 7,000 ft. (-475 model suffixes) ** | 234-47064-52 | 234-47064-51 | 234-47064-50 | 234-47064-50 |
| | LP Gas (X) High Altitude Orifice Kit 7,001 Ft. to 10,000 Ft. ** | 265-51367-02-53 | 265-51367-02-53 | 265-51367-02-51 | 265-51367-02-51 |
| 43 | LP Gas Pilot Assembly** | 233-48078-01 | 233-48078-01 | 233-48078-01 | 233-48078-01 |
| 44 | LP Gas Feedline | 233-47677-05 | 233-47677-05 | 233-47677-05 | 233-47677-05 |
| | LP Gas (X) to Nat. Gas (N) Conversion Kit | 265-47452-31 | 265-47452-33 | 265-47452-35 | 265-47452-37 |
| | LP Gas (X) to Nat. Gas (N) Conversion Kit (Hi Alt. -475 model suffixes) | 265-47452-32 | 265-47452-34 | 265-47452-36 | 265-47452-38 |

* Applies to all warranties

** Inner door gasket kit recommended

*** Ordering a complete burner assembly may increase delivery time. Please order the specific component required for the quickest delivery.



| Item | Description | Model | Model | Model |
|------|--|--|--|--|
| | | RG2DV40S*(N,X)(-500) (-OLY,-FLX,-SLD) | RG2DV50S*(N,X)(-500) (-OLY,-FLX,-SLD) | RG2DV50H*(N,X)(-500) (-OLY,-FLX,-SLD) |
| 1 | Aluminum Venting (Solid) | 415-51283-00 | 415-51283-00 | 415-51286-00 |
| | Aluminum Venting (Flexible) | 415-51284-00 | 415-51284-00 | 415-51287-00 |
| 2 | Direct Vent-Air Intake Terminal Guard (Optional) | 415-41453-00 | 415-41453-00 | 415-41453-00 |
| 3 | Direct Vent-Air Intake Terminal (Flexible & Solid) | 415-41425-00 | 415-41425-00 | 239-42274-00 |
| 4 | Outer Wall Mounting Plate (Flexible & Solid) | 415-41431-00 | 415-41431-00 | 239-42447-00 |
| 5 | 6" Diameter Elbow (Solid Only) | --- | --- | 239-42067-00 |
| | 5" Diameter Elbow (Solid Only) | 239-41007-00 | 239-41007-00 | --- |
| 6 | 4" Diameter Elbow (Solid Only) | --- | --- | 239-42068-00 |
| | 3" Diameter Elbow (Solid Only) | 239-41008-00 | 239-41008-00 | --- |
| 7 | Plenum | 239-47663-00 | 239-47663-00 | 239-47668-01 |
| 8 | Plenum Gasket | 239-41070-01 | 239-41070-01 | 239-41070-02 |
| 9 | Flue Reducer | 239-41009-00 | 239-41009-00 | 239-42066-00 |
| 10 | Heat Trap Insert (Outlet & Inlet) Kit | 265-51572-00 | 265-51572-00 | 265-51572-00 |
| 11 | Hot Water Outlet Anode (Magnesium)▲ # | 415-55482-00 | 415-55482-00 | 415-55482-00 |
| | Hot Water Outlet Anode (Aluminum)▲# | 415-55484-00 | 415-55484-00 | 415-55484-00 |
| | Hot Water Outlet Anode (A420 Aluminum)▲# | 415-55486-00 | 415-55486-00 | 415-55486-00 |
| 12 | Flue Baffle | 243-47511-00 | 243-51013-00 | 243-50921-00 |
| 13 | Cold Water Inlet Dip Tube (PEX)▲▲ | 415-51230-25 | 229-51230-26 | 415-51230-20 |
| 14 | Coupler (2 Required)◆ | 239-50102-00 | 239-50102-00 | 239-50102-00 |
| 15 | Air Intake Tube | 239-50099-05 | 239-50099-06 | 239-50099-06 |
| 16 | Wire Tie | 239-44328-00 | 239-44328-00 | 239-44328-00 |
| 17 | T&P Relief Valve | 415-40594-02 | 415-40594-02 | 415-40594-02 |
| 18 | 3/4 NPT Plug | --- | --- | 239-11638-00 |
| 19 | Air Intake Boot w/ Gasket | 239-47771-18 | 239-47771-18 | 239-47771-18 |
| 20 | Screw-8-15 X 3/4 INHXWS Slot | 239-44195-00 | 239-44195-00 | 239-44195-00 |
| 21 | Right Side Inner Door w/ Gasket | 239-45642-18 | 239-45642-18 | 239-45642-18 |
| 22 | Brass Drain Valve | 415-42351-02 | 415-42351-02 | 415-42351-02 |
| 23 | Left Side Inner Door w/ Gasket | 239-43968-18 | 239-43968-18 | 239-43968-18 |
| 24 | Screw-#10-12 x 3/4 HWH | 239-52581-00 | 239-52581-00 | 239-52581-00 |
| 25 | Outer Door | 243-43962-00 | 243-43962-00 | 243-43962-00 |
| 26 | Gas Control Natural Gas (White Rodgers) | 265-40251-03 | 265-40251-03 | 265-40251-03 |
| | Gas Control LP Gas (White Rodgers) | 415-40258-03 | 415-40258-03 | 415-40258-03 |
| 27 | Piezo Igniter | 415-43448-00 | 415-43448-00 | 415-43448-00 |
| 28 | Piezo Igniter Mounting Bracket | 239-46157-02 | 239-46157-02 | 239-46157-02 |
| 29 | Inner Door Gasket Kit | 239-49987-00 | 239-49987-00 | 239-49987-00 |
| 30 | ASSE Approved Mixing Valve (Optional) | 239-51778-00 | 239-51778-00 | 239-51778-00 |

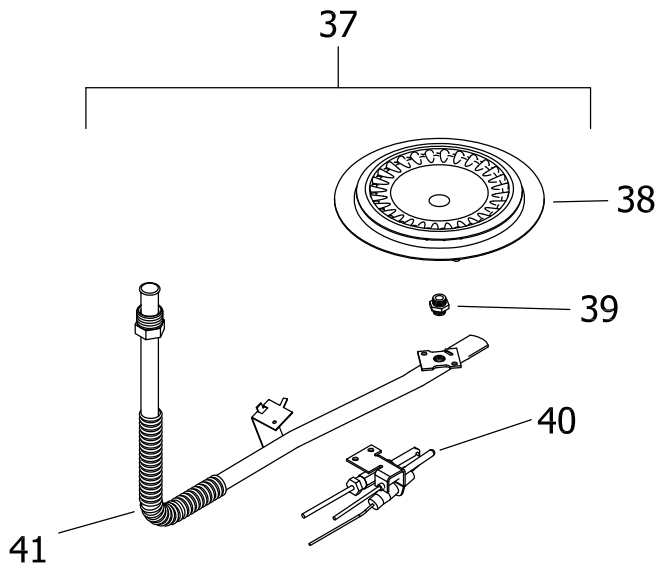
* Applies to all warranties

Anode may need to be cut to length

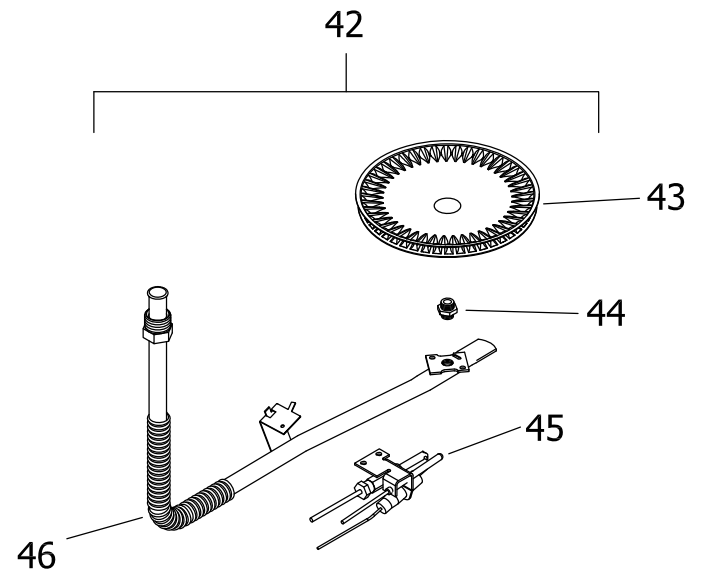
◆ Air intake tube (item #15) should be purchased with coupler (item #14).

▲ Order with item #10

▲▲ Order with item #13



NATURAL GAS (N) BURNER ASSEMBLY



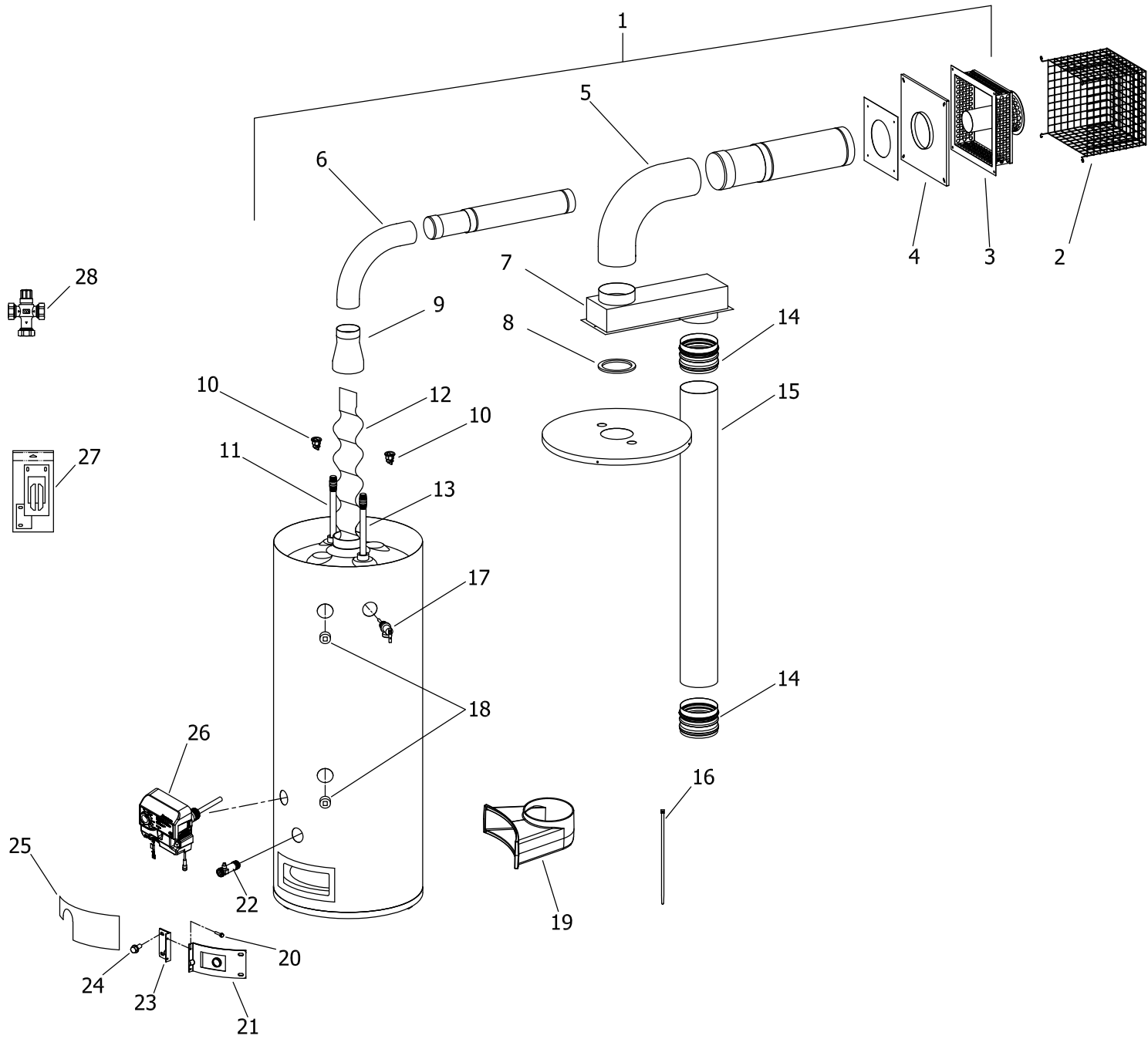
LP GAS (X) BURNER ASSEMBLY

| Item | Description | Model | Model | Model |
|---|---|--|--|--|
| | | RG2DV40S*(N,X)(-500) (-OLY,-FLX,-SLD) | RG2DV50S*(N,X)(-500) (-OLY,-FLX,-SLD) | RG2DV50H*(N,X)(-500) (-OLY,-FLX,-SLD) |
| <u>Natural Gas (N) Burner Assembly</u> | | | | |
| 37 | Nat. Gas (N) Burner Assembly Complete*** | 265-48110-06-33 | 265-48110-06-32 | 265-48110-06-31 |
| 38 | Nat. Gas (N) Burner** | 228-42506-00 | 228-42506-00 | 228-42506-00 |
| 39 | Nat. Gas (N) Main Burner Orifice 0 Ft. to 2,000 Ft.** | 234-41034-33 | 234-41034-32 | 234-41034-31 |
| 40 | Nat. Gas (N) Pilot Assembly** | 233-48077-03 | 233-48077-03 | 233-46277-04 |
| 41 | Nat. Gas Feedline | 233-48095-02 | 233-48095-02 | 233-48095-05 |
| <u>LP Gas (X) Burner Assembly</u> | | | | |
| 42 | LP Gas (X) Burner Assembly Complete*** | 265-47440-28-50 | 265-47440-28-49 | 265-47440-29-47 |
| 43 | LP Gas (X) Burner** | 228-46964-00 | 228-46964-00 | 228-47000-00 |
| 44 | LP Gas (X) Main Burner Orifice 0 Ft. to 2,000 Ft.** | 234-47064-49 | 234-47064-49 | 234-47064-47 |
| 45 | LP Gas (X) Pilot Assembly** | 233-41063-03 | 233-41063-03 | 233-46278-04 |
| 46 | LP Gas Feedline | 233-47677-05 | 233-47677-05 | 233-47677-05 |

* Applies to all warranties

** Inner door gasket kit recommended

*** Ordering a complete burner assembly may increase delivery time. Please order the specific component required for the quickest delivery.



| Item | Description | Model | Model | Model |
|------|--|--|--|--|
| | | RG2DV40S*(N,X)(-600) (-OLY,-FLX,-SLD) | RG2DV50S*(N,X)(-600) (-OLY,-FLX,-SLD) | RG2DV50H*(N,X)(-600) (-OLY,-FLX,-SLD) |
| 1 | Aluminum Venting (Solid) | 415-51283-00 | 415-51283-00 | 415-51286-00 |
| | Aluminum Venting (Flexible) | 415-51284-00 | 415-51284-00 | 415-51287-00 |
| 2 | Direct Vent-Air Intake Terminal Guard (Optional) | 415-41453-00 | 415-41453-00 | 415-41453-00 |
| 3 | Direct Vent-Air Intake Terminal (Flexible & Solid) | 415-41425-00 | 415-41425-00 | 239-42274-00 |
| 4 | Outer Wall Mounting Plate (Flexible & Solid) | 415-41431-00 | 415-41431-00 | 239-42447-00 |
| 5 | 6" Diameter Elbow (Solid Only) | --- | --- | 239-42067-00 |
| | 5" Diameter Elbow (Solid Only) | 239-41007-00 | 239-41007-00 | --- |
| 6 | 4" Diameter Elbow (Solid Only) | --- | --- | 239-42068-00 |
| | 3" Diameter Elbow (Solid Only) | 239-41008-00 | 239-41008-00 | --- |
| 7 | Plenum | 239-47663-00 | 239-47663-00 | 239-47668-01 |
| 8 | Plenum Gasket | 239-41070-01 | 239-41070-01 | 239-41070-02 |
| 9 | Flue Reducer | 239-41009-00 | 239-41009-00 | 239-42066-00 |
| 10 | Heat Trap Insert (Outlet & Inlet) Kit | 265-51572-00 | 265-51572-00 | 265-51572-00 |
| 11 | Hot Water Outlet Anode (Magnesium)▲ # | 415-55482-00 | 415-55482-00 | 415-55482-00 |
| | Hot Water Outlet Anode (Aluminum)▲# | 415-55484-00 | 415-55484-00 | 415-55484-00 |
| | Hot Water Outlet Anode (A420 Aluminum)▲# | 415-55486-00 | 415-55486-00 | 415-55486-00 |
| 12 | Flue Baffle | 243-47511-00 | 243-51013-00 | 243-50921-00 |
| 13 | Cold Water Inlet Dip Tube (PEX)▲▲ | 415-51230-25 | 229-51230-26 | 415-51230-20 |
| 14 | Coupler (2 Required)◆ | 239-50102-00 | 239-50102-00 | 239-50102-00 |
| 15 | Air Intake Tube | 239-50099-05 | 239-50099-06 | 239-50099-06 |
| 16 | Wire Tie | 239-44328-00 | 239-44328-00 | 239-44328-00 |
| 17 | T&P Relief Valve | 415-40594-02 | 415-40594-02 | 415-40594-02 |
| 18 | 3/4 NPT Plug | --- | --- | 239-11638-00 |
| 19 | Air Intake Boot w/ Gasket | 239-47771-18 | 239-47771-18 | 239-47771-18 |
| 20 | Screw-8-15 X 3/4 INHXWS Slot | 239-44195-00 | 239-44195-00 | 239-44195-00 |
| 21 | Right Side Inner Door w/ Gasket | 239-45642-18 | 239-45642-18 | 239-45642-18 |
| 22 | Brass Drain Valve | 415-42351-02 | 415-42351-02 | 415-42351-02 |
| 23 | Left Side Inner Door w/ Gasket | 239-43968-18 | 239-43968-18 | 239-43968-18 |
| 24 | Screw-#10-12 x 3/4 HWH | 239-52581-00 | 239-52581-00 | 239-52581-00 |
| 25 | Outer Door | 243-43962-00 | 243-43962-00 | 243-43962-00 |
| 26 | Gas Control Direct Replacement Natural Gas | 415-52944-02 | 415-52944-02 | 415-52944-02 |
| | Gas Control Direct Replacement LP Gas | 415-52945-02 | 415-52945-02 | 415-52945-02 |
| 27 | Inner Door Gasket Kit | 239-49987-00 | 239-49987-00 | 239-49987-00 |
| 28 | ASSE Approved Mixing Valve (Optional) | 239-51778-00 | 239-51778-00 | 239-51778-00 |

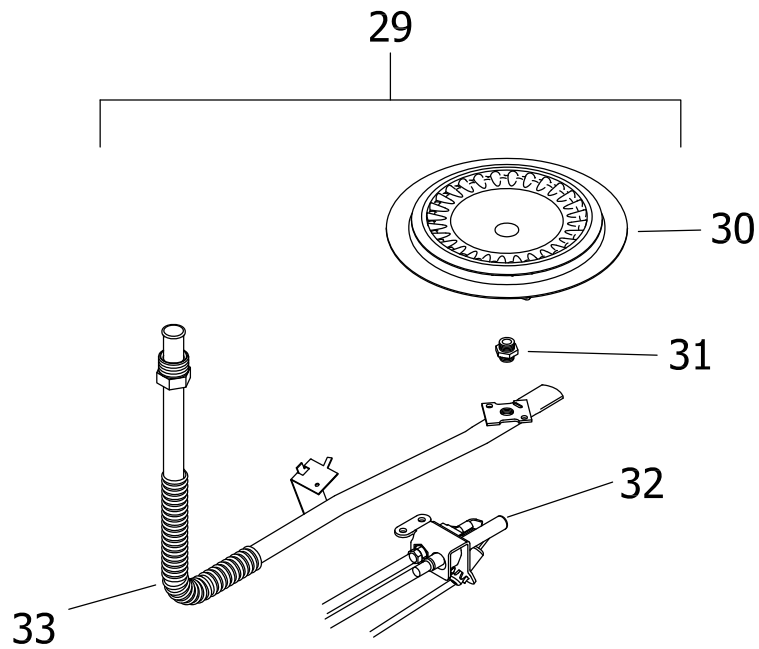
* Applies to all warranties

Anode may need to be cut to length

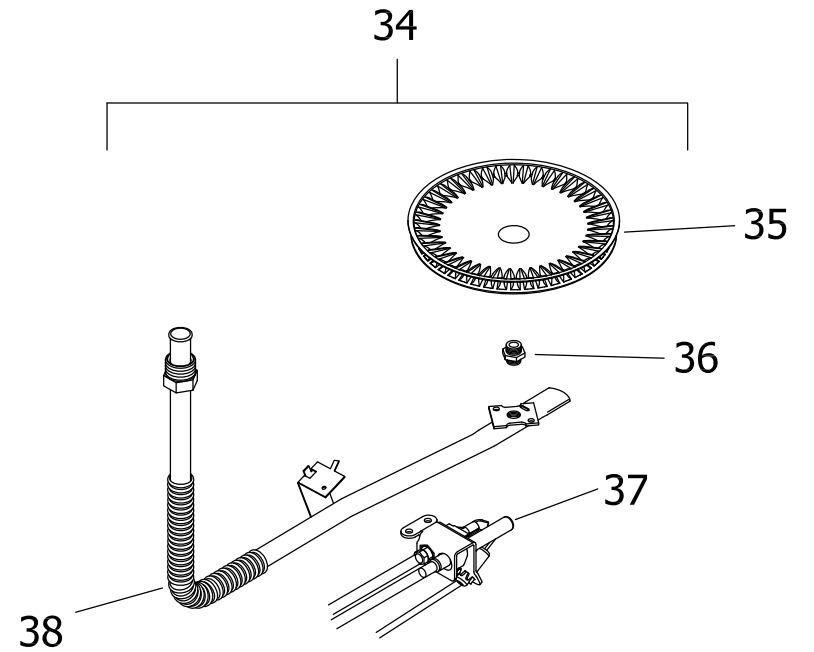
◆ Air intake tube (item #15) should be purchased with coupler (item #14).

▲ Order with item #10

▲▲ Order with item #13



NATURAL GAS (N) BURNER ASSEMBLY



LP GAS (X) BURNER ASSEMBLY

| Item | Description | Model | Model | Model |
|--|--|--|--|--|
| | | RG2DV40S*(N,X)(-600) (-OLY,-FLX,-SLD) | RG2DV50S*(N,X)(-600) (-OLY,-FLX,-SLD) | RG2DV50H*(N,X)(-600) (-OLY,-FLX,-SLD) |
| Natural Gas (N) Burner Assembly | | | | |
| 35 | Nat. Gas Burner Assembly Complete*** | 265-53644-04 | 265-53644-04 | 265-53644-04 |
| 36 | Nat. Gas BN Burner** | 228-42506-00 | 228-42506-00 | 228-42506-00 |
| 37 | Nat. Gas (N) Main Burner Orifice 0 Ft. to 2,000 Ft. ** | 234-41034-33 | 234-41034-32 | 234-41034-31 |
| | Nat. Gas (N) High Altitude Orifice 2,001 Ft. to 7,000 Ft. (-475 model suffixes) ** | 234-41034-38 | 234-41034-36 | 234-41034-35 |
| | Nat. Gas (N) High Altitude Orifice Kit 7,001 Ft. to 10,000 Ft. | 265-51311-02-41 | 265-51311-02-40 | 265-51311-02-38 |
| 38 | Nat. Gas Pilot Assembly | 415-53604-01 | 415-53604-01 | 415-53604-01 |
| 39 | Nat. Gas Feedline | 233-48095-05 | 233-48095-05 | 233-48095-05 |
| LP Gas (X) Burner Assembly | | | | |
| 40 | LP Gas Burner Assembly Complete*** | 265-53639-02 | 265-53639-02 | 265-53641-04 |
| 41 | LP Gas (X) Burner** | 228-46964-00 | 228-46964-00 | 228-47000-00 |
| 42 | LP Gas (X) Main Burner Orifice 0 Ft. to 2,000 Ft. ** | 234-47064-50 | 234-47064-49 | 234-47064-47 |
| | LP Gas (X) High Altitude Orifice 2,001 Ft. to 7,000 ft. (-475 model suffixes) ** | 234-47064-52 | 234-47064-51 | 234-47064-50 |
| | LP Gas (X) High Altitude Orifice Kit 7,001 Ft. to 10,000 Ft. ** | 265-51367-02-53 | 265-51367-02-53 | 265-51367-02-51 |
| 43 | LP Gas Pilot Assembly** | 415-53605-01 | 415-53605-01 | 415-53605-01 |
| 44 | LP Gas Feedline | 233-47677-05 | 233-47677-05 | 233-47677-05 |
| | LP Gas (X) to Nat. Gas (N) Conversion Kit | 265-53632-26 | 265-53632-28 | 265-53632-30 |
| | LP Gas (X) to Nat. Gas (N) Conversion Kit (Hi Alt. -475 model suffixes) | 265-53632-27 | 265-53632-29 | 265-53632-31 |

* Applies to all warranties

** Inner door gasket kit recommended

*** Ordering a complete burner assembly may increase delivery time. Please order the specific component required for the quickest delivery.

SOLID VENT KITS

| | | Horizontal "X" | | | | |
|--------------|---------------------|---|---|-----------------------------------|---|---|
| | | 16 1/4 17 3/16 | 18 20 11/16 | 25 1/4 35 3/16 | 37 3/4 57 7/8 | 61 5/16 107 5/16 |
| Vertical "Y" | 11 9/16 | order kit F 239-42516-00 | order kit G 415-42517-00 | no add'l kit req'd | order kit H 239-42514-00 | order kit I 239-42512-00 |
| | 16 5/16 17 1/4 | order kit F * (2) 239-42516-00 | order kit F & G 239-42516-00 415-42517-00 | order kit F 239-42516-00 | order kit F & H 239-42516-00 239-42514-00 | order kit F & I 239-42516-00 239-42512-00 |
| | 18 1/16 20 3/4 | order kit F & G 239-42516-00 415-42517-00 | order kit G * (2) 415-42517-00 | order kit G 415-42517-00 | order kit G & H 415-42517-00 239-42514-00 | order kit G & I 415-42517-00 239-42512-00 |
| | 25 5/16 35 1/4 | order kit F 239-42516-00 | order kit G 415-42517-00 | order kit H 239-42514-00 | order kit H * (2) 239-42514-00 | order kit I 239-42512-00 |
| | 38 1/16 57 15/16 | order kit F & H 239-42516-00 239-42514-00 | order kit G & H 415-42517-00 239-42514-00 | order kit H * (2) 239-42514-00 | order kit H * (3) 239-42514-00 | order kit H & I 239-42514-00 239-42512-00 |
| | 61 3/8 107 3/8 | order kit F & I 239-42516-00 239-42512-00 | order kit G & I 415-42517-00 239-42512-00 | order kit I 239-42512-00 | order kit H & I 239-42514-00 239-42512-00 | order kit I * (2) 239-42512-00 |

*(2) = Order two kits

*(3) = Order three kits

FLEXIBLE VENT KITS

| Vertical Vent Height + Horizontal Vent Length | Kit Part Number |
|---|-----------------|
| Less than 100 inches | 415-48915-00 |
| More than 100 inches | N/A* |

*Do not attempt to use flexible vent hose at a distance greater than 100 inches.



United States

Sales 1-800-523-2931
Technical Support 1-800-334-3393
Email techsupport@bradfordwhite.com
Warranty 1-800-531-2111
Email warranty@bradfordwhite.com
Service Parts 1-800-538-2020
Email parts@bradfordwhite.com

Canada

Sales 1-866-690-0961 1-905-203-0600
Fax 905-636-0666
Warranty 1-800-531-2111
Email warranty@bradfordwhite.com
Technical Support 1-800-334-3393
Email techsupport@bradfordwhite.com
Service Parts and Orders ca.orders@bradfordwhite.com

For U.S. and Canada field service, contact your professional installer or local Bradford White sales representative.

International

General Contact international@bradfordwhite.com