



## RESIDENTIAL GAS REPLACEMENT PARTS LIST

### Manufactured Home Direct Vent “RG2DVMH” Models



**Models Covered:**  
RG2DVMH30T\*(N,X)  
RG2DVMH40T\*(N,X)  
\*Denotes warranty year

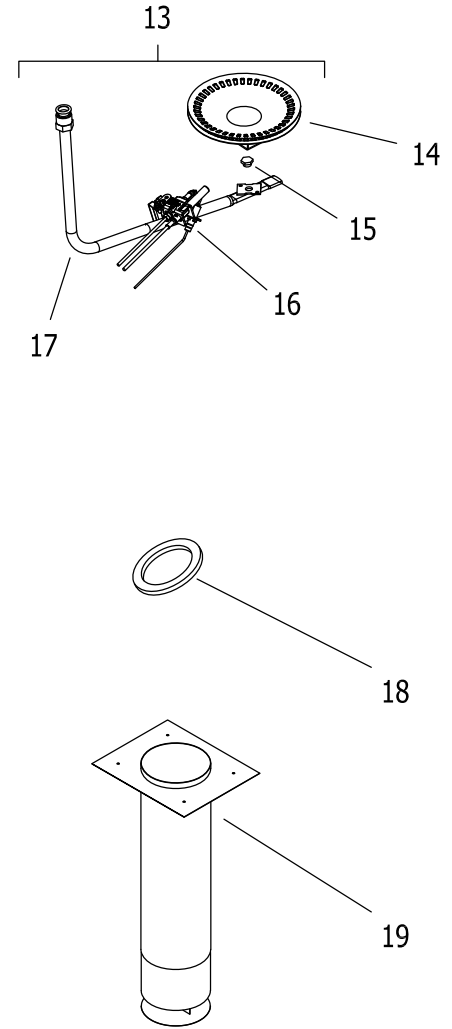
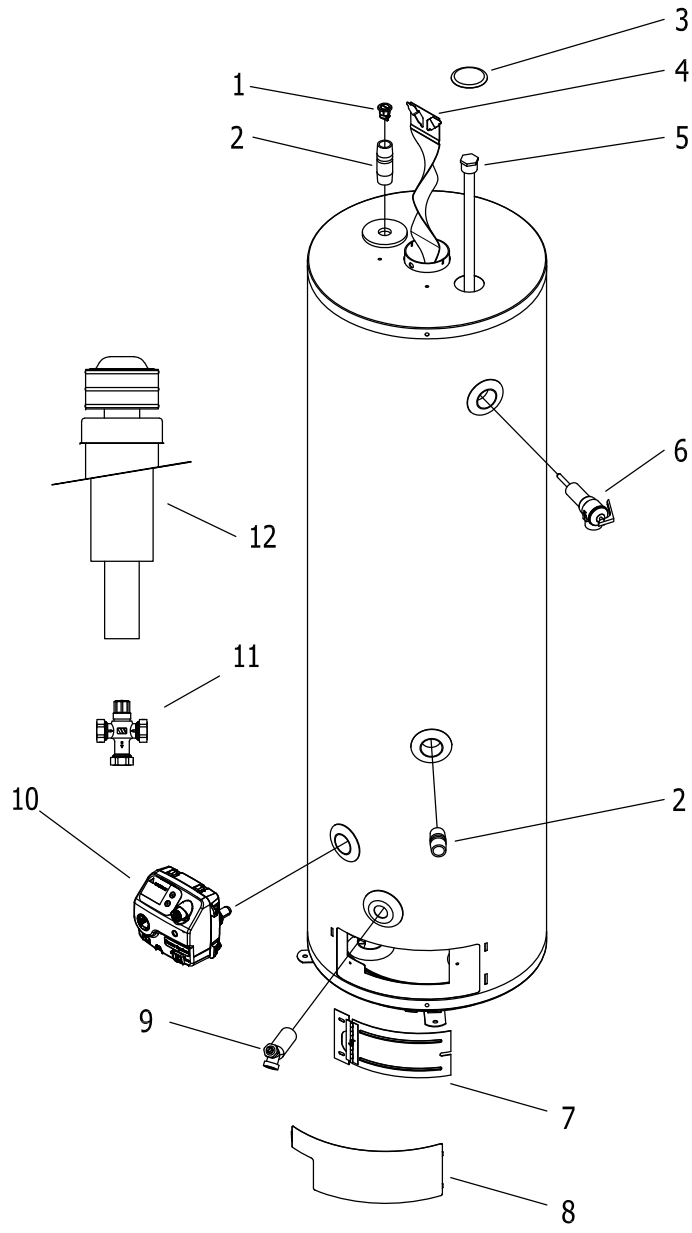
**Effective: October, 2024**  
**ECO 8780**

**NOTE: BOTH MODEL AND SERIAL  
NUMBERS ARE REQUIRED FOR  
ORDERING REPLACEMENT PARTS**

Dimensions and specifications  
subject to change without notice.



As required by the state of California Proposition 65.



Item	Description	Model	Model
		RG2DVMH30T*(N,X)	RG2DVMH40T*(N,X)
1	Heat Trap Insert (Outlet)	239-45167-00	239-45167-00
2	Nipple Outlet 3/4 NPT X 3	415-50053-03	415-50053-03
3	Hole Closure	239-31547-02	239-31547-02
4	Flue Baffle	243-37307-00	243-37307-00
5	Hex Anode (Magnesium) #	415-55483-00	415-55483-00
	Hex Anode (A420 Aluminum) #	415-55487-00	415-55487-00
6	T&P Valve	415-40594-02	415-40594-02
7	Inner Door Assembly	243-42658-00	243-42658-00
8	Outer Door	243-41061-00	243-41061-00
9	Brass Drain Valve	415-42351-02	415-42351-02
10	L.P. & Nat. Gas Thermostat (Resideo)***	415-53666-01	415-53666-01
11	ASSE Approved Mixing Valve (Optional)	239-51778-00	239-51778-00
12	Roof Jack 12" (Fixed)	415-37022-01	415-37022-01
	Roof Jack 18-32" (Adjustable)	415-37022-02	415-37022-02
	Roof Jack 32-60" (Adjustable)	415-37022-03	415-37022-03
	Roof Jack 48-95" (Adjustable)	415-37022-04	415-37022-04
13	Nat. Gas Burner Assembly Complete***	265-54478-01-40	265-54478-02-40
	LP Gas Burner Assembly Complete***	265-54478-03-52	265-54478-04-52
14	Gas Burner	228-41174-00	228-41174-00
15	Nat. Gas Main Burner Orifice 0 Ft. to 2,000 Ft.	234-37171-40	234-37171-40
	Nat. Gas High Altitude 2,001 Ft. to 7,000 Ft. (-475 model suffixes)	234-37171-43	234-37171-43
	LP Gas Main Burner Orifice 0 Ft. to 2,000 Ft.	234-37171-52	234-37171-52
	LP Gas High Altitude 2,001 Ft. to 7,000 Ft. (-475 model suffixes)	234-37171-53	234-37171-53
16	Nat. Gas Pilot Assembly	415-55370-01	415-55370-01
	LP Gas Pilot Assembly	415-48078-05	415-48078-05
17	Gas Feedline	233-41819-04	233-41819-05
	LP to Nat Gas Conversion Kit	243-54475-07	243-54475-08
	LP to Nat Gas Conversion Kit for 2,001 Ft. to 7,000 Ft. (-475 model suffixes)	243-54476-07	243-54476-08
	Nat to LP Gas Conversion Kit	243-54475-05	243-54475-06
	Nat to LP Gas Conversion Kit for 2,001 Ft. to 7,000 Ft. (-475 model suffixes)	243-54476-05	243-54476-06
18	Air Intake Kit Gasket	265-41135-00	265-41135-00
19	Telescoping Air Intake Kit	265-41142-00	265-41142-00

\* Applies to all warranties

\*\*\* Ordering a complete burner assembly may increase delivery time.

Please order the specific component required for the quickest delivery.

# Anode may need to be cut to length, see page 4.



## United States

---

**Sales** 1-800-523-2931  
**Technical Support** 1-800-334-3393  
**Email** [techsupport@bradfordwhite.com](mailto:techsupport@bradfordwhite.com)  
**Warranty** 1-800-531-2111  
**Email** [warranty@bradfordwhite.com](mailto:warranty@bradfordwhite.com)  
**Service Parts** 1-800-538-2020  
**Email** [parts@bradfordwhite.com](mailto:parts@bradfordwhite.com)

## Canada

---

**Sales** 1-866-690-0961 1-905-203-0600  
**Fax** 905-636-0666  
**Warranty** 1-800-531-2111  
**Email** [warranty@bradfordwhite.com](mailto:warranty@bradfordwhite.com)  
**Technical Support** 1-800-334-3393  
**Email** [techsupport@bradfordwhite.com](mailto:techsupport@bradfordwhite.com)  
**Service Parts and Orders** [ca.orders@bradfordwhite.com](mailto:ca.orders@bradfordwhite.com)

For U.S. and Canada field service, contact your professional installer or local Bradford White sales representative.

## International

---

**General Contact** [international@bradfordwhite.com](mailto:international@bradfordwhite.com)