



BRADFORD WHITE[®]
W A T E R H E A T E R S

RESIDENTIAL REPLACEMENT PARTS LIST
Residential Damper “RG(1,2)D” Model Series



Models Covered:

RG1D30T*(N,X)

RG1D40S*(N,X)

RG1D40T*(N,X)

RG1D50T*(N,X)

RG2D40S*(N,X)

RG2D50S*(N,X)

*Denotes warranty year

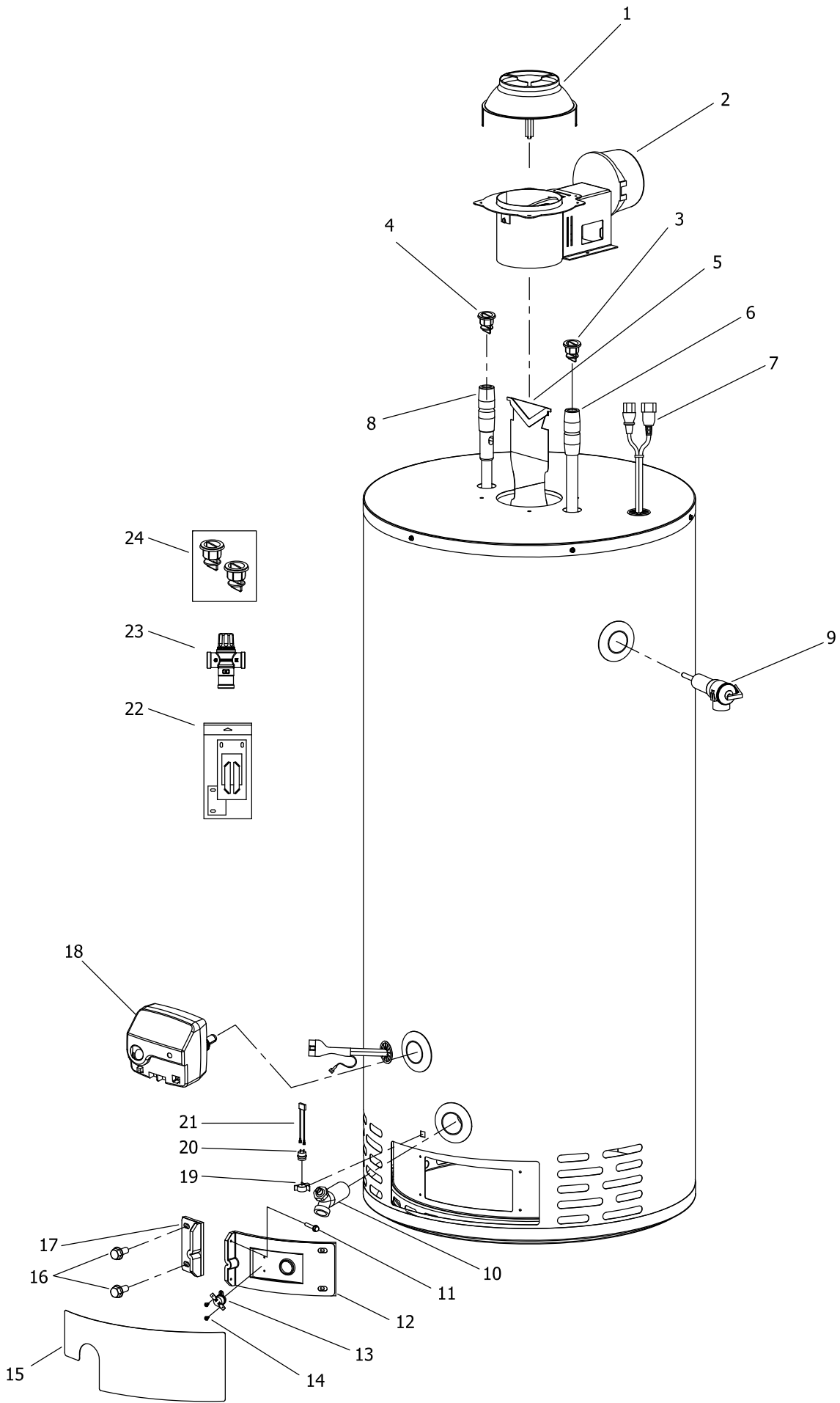
Effective: October, 2024
ECO 8780

**NOTE: BOTH MODEL AND SERIAL
NUMBERS ARE REQUIRED FOR
ORDERING REPLACEMENT PARTS**

Dimensions and specifications
subject to change without notice.

WARNING
CANCER AND REPRODUCTIVE HARM
WWW.P65WARNINGS.CA.GOV

As required by the state of California Proposition 65.

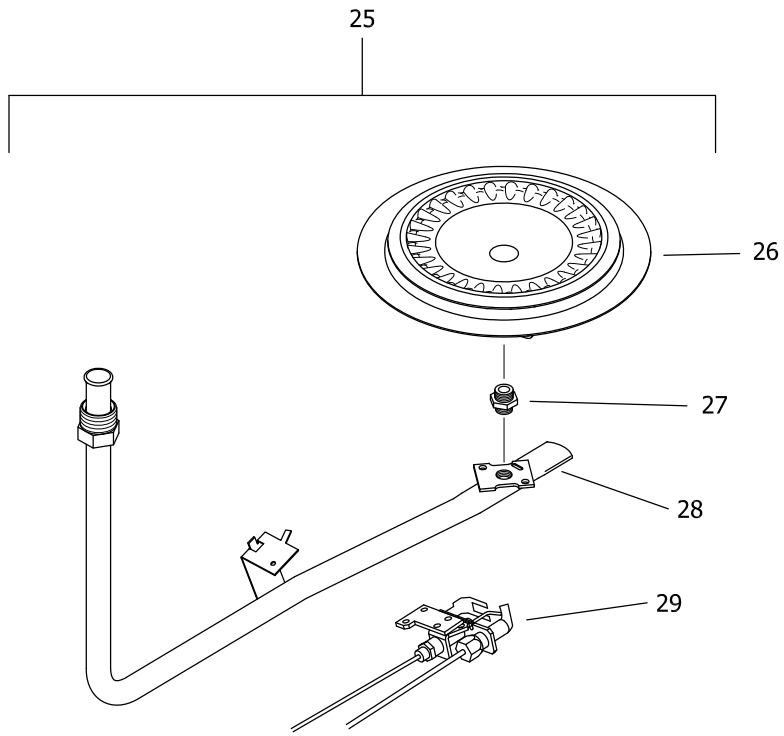


Item	Description	Model	Model	Model	Model
		RG1D30T*(N,X)	RG1D40S*(N,X)	RG1D40T*(N,X)	RG1D50T*(N,X)
1	Draft Hood	243-45787-00	243-45787-00	243-45787-00	243-45787-00
2	Flue Damper	265-50659-00	265-50660-00	265-50659-00	265-50659-00
3	Heat Trap Insert (Inlet)	415-51556-00	415-51556-00	415-51556-00	415-51556-00
4	Heat Trap Insert (Outlet)	415-45167-00	415-45167-00	415-45167-00	415-45167-00
5	Flue Baffle	243-44639-00	243-51285-00	239-50065-03	243-44705-00
6	Cold Water Inlet Dip Tube (PEX) ▲▲	415-51230-19	415-51230-24	415-51230-21	415-51230-18
7	Safety Circuit Wire Harness	239-45617-02	239-45617-03	239-45617-02	239-45617-02
8	Hot Water Outlet Anode (Magnesium) ▲#	415-55482-00	415-55482-00	415-55482-00	415-55482-00
	Hot Water Outlet (Aluminum) ▲#	415-55484-00	415-55484-00	415-55484-00	415-55484-00
	Hot Water Outlet (A420 Aluminum) ▲#	415-55486-00	415-55486-00	415-55486-00	415-55486-00
9	T&P Relief Valve	415-40594-02	415-40594-02	415-40594-02	415-40594-02
10	Brass Drain Valve	415-42351-02	415-42351-02	415-42351-02	415-42351-02
11	Screw-#8-18 x 3/4 HWH	239-44195-00	239-44195-00	239-44195-00	239-44195-00
12	Nat. Gas Right Side Inner Door Complete	239-43963-02	239-43963-07	239-43963-05	239-43963-07
	LP Gas Right Side Inner Door Complete	239-43963-02	239-43963-07	239-43963-05	239-43963-07
13	Nat. Gas Resettable Thermal Switch	415-43676-03	415-43676-02	415-43676-03	415-43676-02
	LP Gas Resettable Thermal Switch	415-43676-03	415-43676-02	415-43676-03	415-43676-02
14	Screw-#6-20 X 3/8	239-43967-00	239-43967-00	239-43967-00	239-43967-00
15	Outer Door	243-43962-00	243-43962-00	243-43962-00	243-43962-00
16	Screw-#10-12 x 3/4 HWH	239-52581-00	239-52581-00	239-52581-00	239-52581-00
17	Left Side Inner Door Complete	239-43968-14	239-43968-18	239-43968-16	239-43968-18
18	Gas Valve (Natural Gas)	239-48795-01	239-48795-01	239-48795-01	239-48795-01
	Gas Valve (LP Gas)	239-48796-01	239-48796-01	239-48796-01	239-48796-01
19	Flammable Vapor Sensor Clip	239-45648-00	239-45648-00	239-45648-00	239-45648-00
20	Flammable Vapor Sensor	415-45560-00	415-45560-00	415-45560-00	415-45560-00
21	Flammable Vapor Sensor Harness	243-50192-00	243-50192-00	243-50192-00	243-50192-00
22	Inner Door Gasket Kit	239-44078-00	239-44078-00	239-44078-00	239-44078-00
23	ASSE Approved Mixing Valve (Optional)	239-51778-00	239-51778-00	239-51778-00	239-51778-00
24	Heat Trap Insert kit (Inlet & Outlet)	265-51572-00	265-51572-00	265-51572-00	265-51572-00

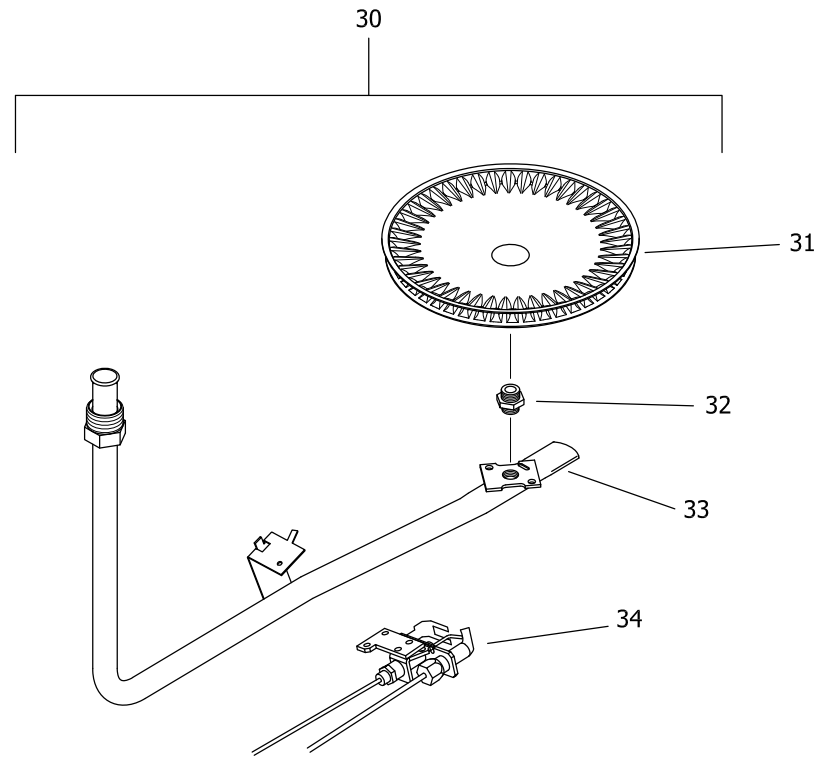
▲ Order with item 4.

▲▲ Order with item 3.

Anodes may need to be cut to length.



NATURAL GAS (BN) BURNER ASSEMBLY



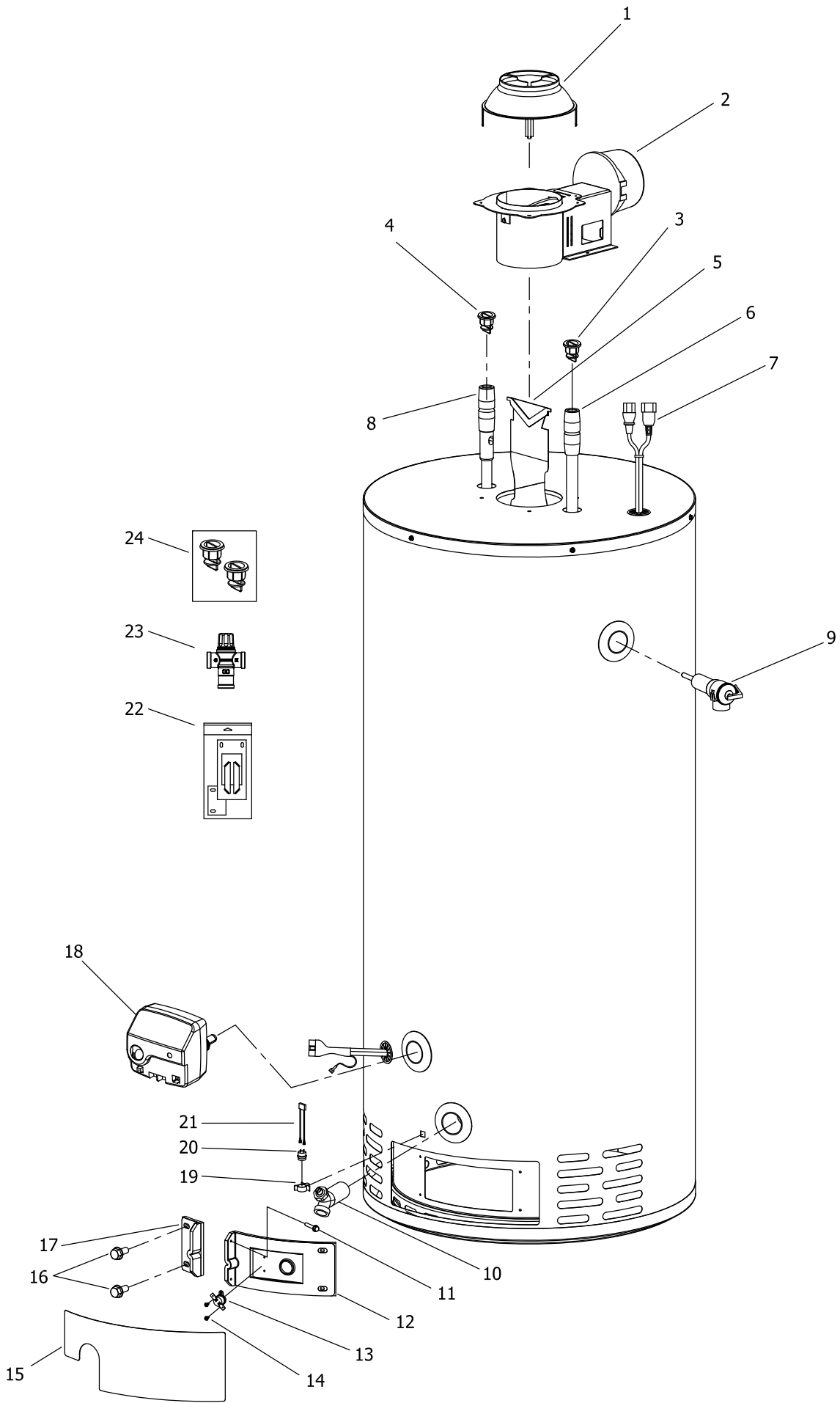
LP GAS (SX) BURNER ASSEMBLY

Item	Description	Model RG1D30T*(N,X)	Model RG1D40S*(N,X)	Model RG1D40T*(N,X)	Model RG1D50T*(N,X)
Natural Gas (BN) Burner Assembly					
25	Nat Gas Burner Assembly Complete***	265-47439-17-36	265-47439-06-32	265-47439-18-32	265-47439-06-32
26	Nat. Gas (N) Burner**	228-42506-00	228-42506-00	228-42506-00	228-42506-00
27	Nat. Gas (N) Main Burner Orifice 0Ft. to 2,000Ft. **	234-41034-36	234-41034-32	234-41034-32	234-41034-32
	Nat. Gas (N) High Altitude Orifice 2,001Ft. to 7,000Ft. (-475 model suffixes)**	234-41034-41	234-41034-36	234-41034-36	234-41034-36
	Nat. Gas (N) High Altitude Orifice Kit 7,001Ft. to 10,000Ft.	265-51311-02-43	265-51311-02-40	265-51311-02-40	265-51311-02-40
28	Feedline (N)	233-45615-07	233-45615-01	233-45615-06	233-45615-01
29	Nat. Gas Pilot Assembly**	233-45653-05	233-45653-05	233-45653-05	233-45653-05
LP Gas (SX) Titanium Stabilized Stainless Steel Burner Assembly					
30	LP Gas Burner Assembly Complete***	265-47440-26-60	265-47440-09-50	265-47440-27-52	265-47440-09-51
31	LP Gas (X) Burner**	228-46964-00	228-46964-00	228-46964-00	228-46964-00
32	LP Gas (X) Main Burner Orifice 0Ft. to 2,000Ft. **	234-47064-60	234-47064-50	234-47064-52	234-47064-51
	LP Gas (X) High Altitude Orifice 2,001Ft. to 7,000Ft. (-475 model suffixes)**	234-47064-54	234-47064-52	234-47064-53	234-47064-52
	LP Gas (X) High Altitude Orifice Kit 7,001Ft. to 10,000Ft.	265-51367-02-54	265-51367-02-53	265-51367-02-54	265-51367-02-54
33	Feedline (X)	233-47109-06	233-47109-01	233-47109-05	233-47109-01
34	LP Gas Pilot Assembly**	233-45653-04	233-45653-04	233-45653-04	233-45653-04
	LP to Nat. Gas Conversion Kit	265-46493-117	265-46493-02	265-46493-119	265-46493-02
	LP to Nat. Gas High Altitude Conversion Kit	265-46493-118	265-46493-96	265-46493-120	265-46493-96

* Applies to all warranties

** Inner door gasket kit recommended

*** Ordering a complete burner assembly may increase delivery time. Please order the specific component required for the quickest delivery.

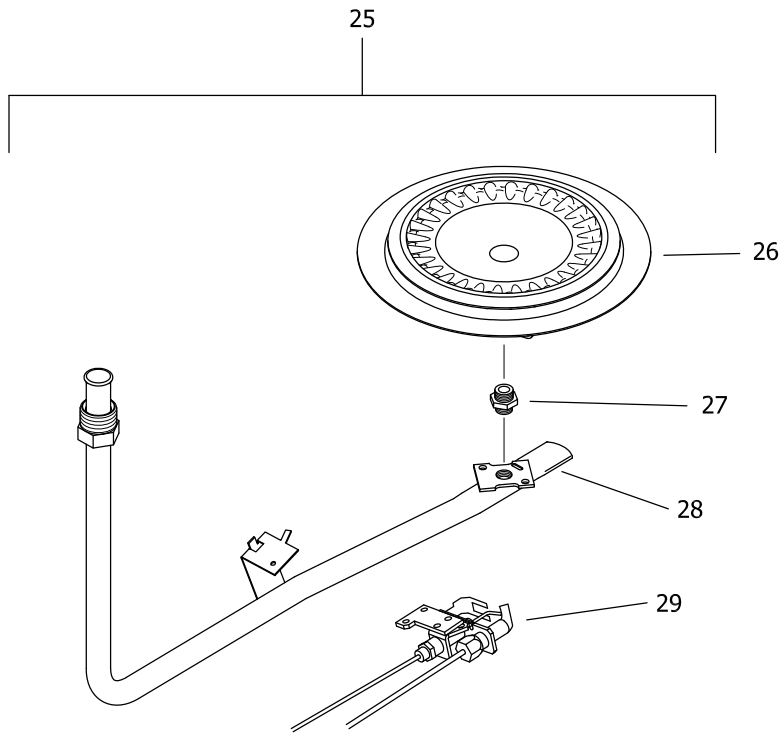


Item	Description	Model	Model
		RG2D40S*(N,X)	RG2D50S*(N,X)
1	Draft Hood	243-45787-00	243-45787-00
2	Flue Damper	265-50660-00	265-50660-00
3	Heat Trap Insert (Inlet)	239-51556-00	239-51556-00
4	Heat Trap Insert (Outlet)	239-45167-00	239-45167-00
5	Flue Baffle	243-47897-00	243-47898-00
6	Cold Water Inlet Dip Tube (PEX) ▲▲	229-51230-20	229-51230-19
7	Safety Circuit Wire Harness	239-45617-03	239-45617-03
8	Hot Water Outlet Anode (Magnesium) ▲#	415-55482-00	415-55482-00
	Hot Water Outlet (Aluminum) ▲#	415-55484-00	415-55484-00
	Hot Water Outlet (A420 Aluminum) ▲#	415-55486-00	415-55486-00
9	T&P Relief Valve	230-40594-02	230-40594-02
10	Brass Drain Valve	265-42351-02	265-42351-02
11	Screw-#8-18 x 3/4 HWH	239-44195-00	239-44195-00
12	Nat. Gas Right Side Inner Door Complete	239-43963-07	239-43963-07
	LP Gas Right Side Inner Door Complete	239-43963-07	239-43963-07
13	Nat. Gas Resettable Thermal Switch	415-43676-02	415-43676-02
	LP Gas Resettable Thermal Switch	415-43676-02	415-43676-02
14	Screw-#6-20 X 3/8	239-43967-00	239-43967-00
15	Outer Door	243-43962-00	243-43962-00
16	Screw-#10-12 x 3/4 HWH	239-52581-00	239-52581-00
17	Left Side Inner Door Complete	239-43968-18	239-43968-18
18	Gas Valve (Natural Gas)	239-48795-02	239-48795-02
	Gas Valve (LP Gas)	239-48796-02	239-48796-02
19	Flammable Vapor Sensor Clip	239-45648-00	239-45648-00
20	Flammable Vapor Sensor	415-45560-00	415-45560-00
21	Flammable Vapor Sensor Harness	243-50192-00	243-50192-00
22	Inner Door Gasket Kit	239-44078-00	239-44078-00
23	ASSE Approved Mixing Valve (Optional)	239-51778-00	239-51778-00
24	Heat Trap Insert kit (Inlet & Outlet)	265-51572-00	265-51572-00

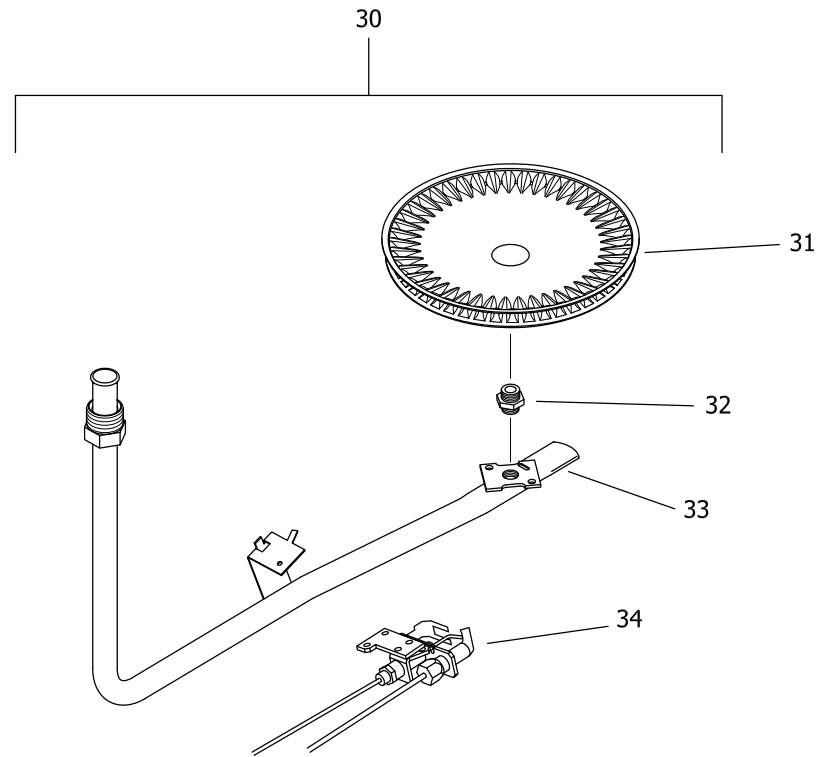
▲ Order with item 4.

▲▲ Order with item 3.

Anodes may need to be cut to length.



NATURAL GAS (BN) BURNER ASSEMBLY



LP GAS (SX) BURNER ASSEMBLY

Item	Description	Model	Model
		RG2D40S*(N,X)	RG2D50S*(N,X)
Natural Gas (BN) Burner Assembly			
25	Nat Gas Burner Assembly Complete***	265-45652-02-32	265-45652-02-32
26	Nat. Gas (N) Burner**	228-42506-00	228-42506-00
27	Nat. Gas (N) Main Burner Orifice 0Ft. to 2,000Ft. **	234-41034-32	234-41034-32
	Nat. Gas (N) High Altitude Orifice 2,001Ft. to 7,000Ft. (-475 model suffixes)**	234-41034-36	234-41034-36
	Nat. Gas (N) High Altitude Orifice Kit 7,001Ft. to 10,000Ft.	265-51311-02-40	265-51311-02-40
28	Feedline (N)	233-45615-02	233-45615-02
29	Nat. Gas Pilot Assembly**	233-45653-05	233-45653-05
LP Gas (SX) Titanium Stabilized Stainless Steel Burner Assembly			
30	LP Gas Burner Assembly Complete***	265-47440-09-50	265-47316-02-50
31	LP Gas (X) Burner**	228-46964-00	228-46964-00
32	LP Gas (X) Main Burner Orifice 0Ft. to 2,000Ft. **	234-47064-50	234-47064-50
	LP Gas (X) High Altitude Orifice 2,001Ft. to 7,000Ft. (-475 model suffixes)**	234-47064-52	234-47064-52
	LP Gas (X) High Altitude Orifice Kit 7,001Ft. to 10,000Ft.	265-51367-02-53	265-51367-02-53
33	Feedline (X)	233-47109-02	233-47109-02
34	LP Gas Pilot Assembly**	233-45653-04	233-45653-04
	LP to Nat. Gas Conversion Kit	265-46493-79	265-46493-108
	LP to Nat. Gas High Altitude Conversion Kit	265-46493-80	265-46493-109

* Applies to all warranties

** Inner door gasket kit recommended

*** Ordering a complete burner assembly may increase delivery time. Please order the specific component required for the quickest delivery.



United States

Sales 1-800-523-2931
Technical Support 1-800-334-3393
Email techsupport@bradfordwhite.com
Warranty 1-800-531-2111
Email warranty@bradfordwhite.com
Service Parts 1-800-538-2020
Email parts@bradfordwhite.com

Canada

Sales 1-866-690-0961 1-905-203-0600
Fax 905-636-0666
Warranty 1-800-531-2111
Email warranty@bradfordwhite.com
Technical Support 1-800-334-3393
Email techsupport@bradfordwhite.com
Service Parts and Orders ca.orders@bradfordwhite.com

For U.S. and Canada field service, contact your professional installer or local Bradford White sales representative.

International

General Contact international@bradfordwhite.com