



Residential Electric Replacement Parts List

Upright, Lowboy, & High Efficiency Upright Models



Models Covered:

RE2(40,50)S*

RE3(30,40,50)S*

RE2(50,55)T*

RE250T* Alternate

RE2(40,50)L*

RE1(20,30)L*

RE2(30,40,50)L(N)

RE3(40,50,80,120)T*

*Denotes warranty year

Effective: December, 2024
ECO 8780

**NOTE: BOTH MODEL AND SERIAL
NUMBERS ARE REQUIRED FOR
ORDERING REPLACEMENT PARTS**

Dimensions and specifications subject
to change without notice.



As required by the state of California Proposition 65.

TOP LOCATION

- Double element water heater, non-simultaneous single phase and three phase operation.

59T66T

415-51046-00

TOP LOCATION

- Double element water heater, simultaneous operation.

BOTTOM LOCATION

- Single element water heater.
- Double element water heater, non-simultaneous three phase operation.
- Double element water heater, simultaneous operation.

59T66T

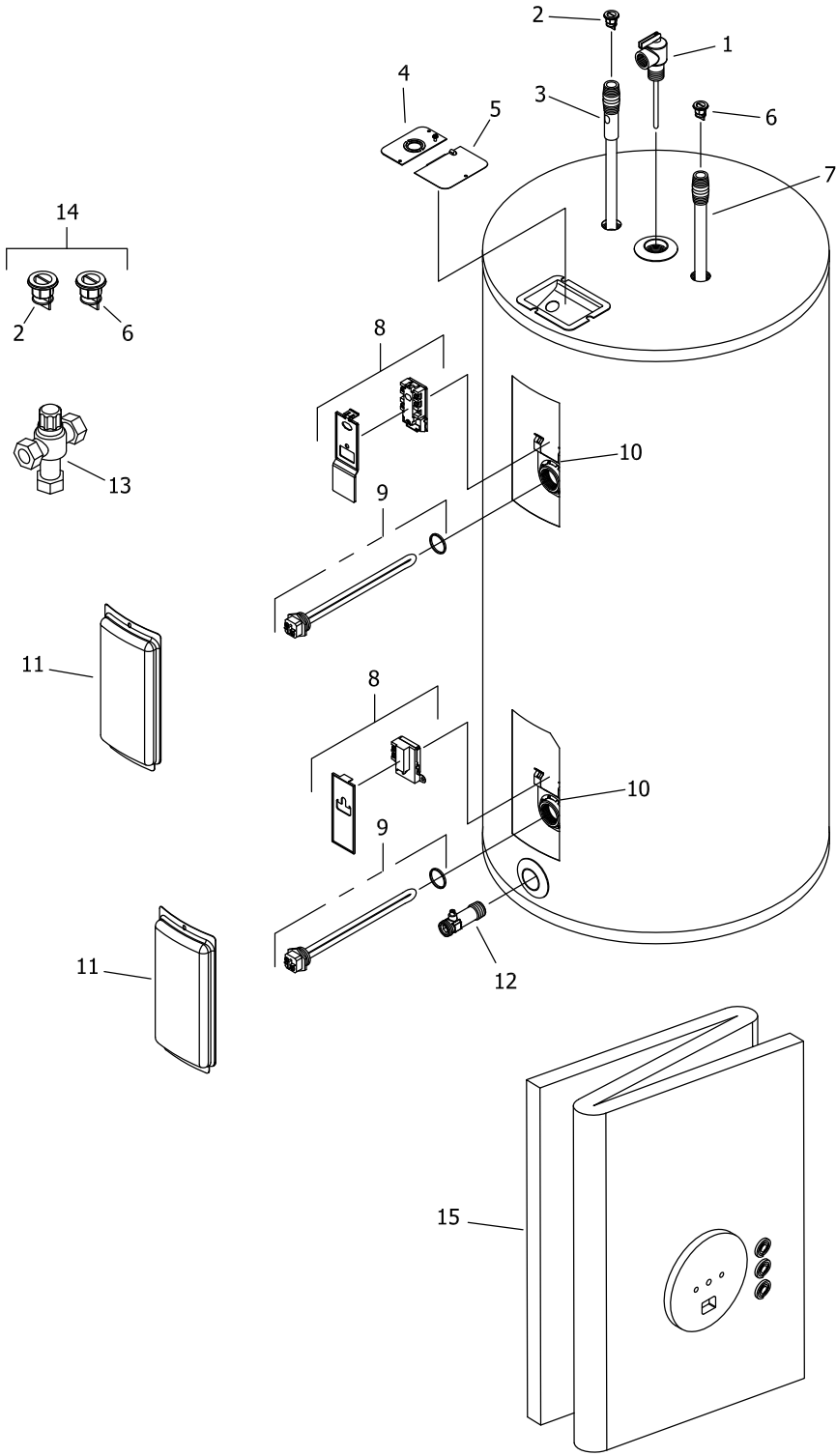
415-50691-00

BOTTOM LOCATION

- Double element water heater, non-simultaneous single phase operation

59T

415-51046-00



Item	Description	Model RE240S	Model RE250S	Model RE330S	Model RE340S	Model RE350S
1	T&P Relief Valve	415-40594-02	415-40594-02	415-40594-02	415-40594-02	415-40594-02
2	Heat Trap Insert (Outlet)	415-45167-00	415-45167-00	415-45167-00	415-45167-00	415-45167-00
3	Hot Water Outlet Anode (Magnesium) ♦#	415-55482-00	415-55482-00	415-55482-00	415-55482-00	415-55482-00
	Hot Water Outlet Anode (Aluminum) ♦#	415-55484-00	415-55484-00	415-55484-00	415-55484-00	415-55484-00
	Hot Water Outlet Anode (A420 Aluminum) ♦#	415-55486-00	415-55486-00	415-55486-00	415-55486-00	415-55486-00
4	Cover Conduit/Ground w/ Ground Screw	239-55386-00	239-55386-00	239-55386-00	239-55386-00	239-55386-00
5	Cover Junction Box	243-39452-00	243-39452-00	243-39452-00	243-39452-00	243-39452-00
6	Heat Trap Insert (Inlet)	415-51556-00	415-51556-00	415-51556-00	415-51556-00	415-51556-00
7	Cold Water Inlet Tube PEX ♦♦	415-51230-21	415-51230-21	415-51230-21	415-51230-21	415-51230-21
8	Upper Thermostat with High Limit (59T66) & Protector ▲■	415-51046-00	415-51046-00	415-51046-00	415-51046-00	415-51046-00
	Lower Thermostat (59T66) w/ Protector ▲■	415-51046-00	415-51046-00	415-51046-00	415-51046-00	415-51046-00
	Lower Thermostat with High Limit (59T66) ▲	415-50691-00	415-50691-00	415-50691-00	415-50691-00	415-50691-00
9	Heating Element 240V 4500W w/ Gasket μ	415-48642-00	415-48642-00	415-48642-00	415-48642-00	415-48642-00
10	Thermostat Mounting Bracket	415-50689-00	415-50689-00	415-50689-00	415-50689-00	415-50689-00
11	Access Cover	243-36618-02	243-36618-02	243-36618-02	243-36618-02	243-36618-02
12	Drain Valve	415-51684-01	415-51684-01	415-51684-02	415-51684-02	415-51684-02
13	ASSE Approved Mixing Valve	239-51778-00	239-51778-00	239-51778-00	239-51778-00	239-51778-00
14	Kit-Heat Trap Insert (PEX)	265-51572-00	265-51572-00	265-51572-00	265-51572-00	265-51572-00
15	Blanket Kit	239-50210-01	239-50210-02	---	---	---

♦ Order with item 2.

♦♦ Order with item 6.

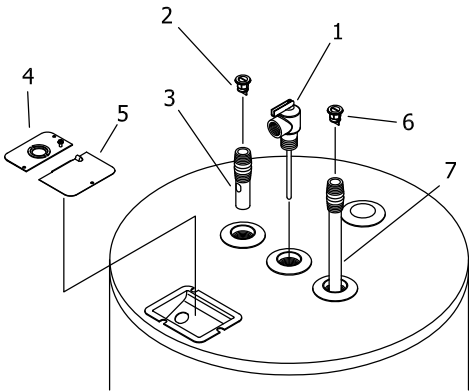
▲ Thermostat protector provided with thermostat. The thermostat mounting bracket is also provided with the thermostat.

μ For other voltage and wattage combinations, refer to heating elements on page 12 & 13.

■ Upper and lower thermostats are packaged together.

Anode may need to be cut to length, please see page 14 for reference chart of anode length by model.

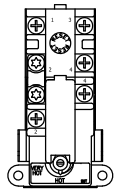
RE250T ALTERNATE CONSTRUCTION*



TOP LOCATION

- Double element water heater, non-simultaneous single phase and three phase operation.

59T66T



415-51046-00

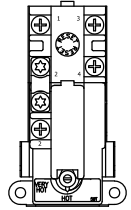
TOP LOCATION

- Double element water heater, simultaneous operation.

BOTTOM LOCATION

- Single element water heater.
- Double element water heater, non-simultaneous three phase operation.
- Double element water heater, simultaneous operation.

59T66T

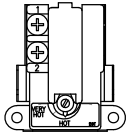


415-50691-00

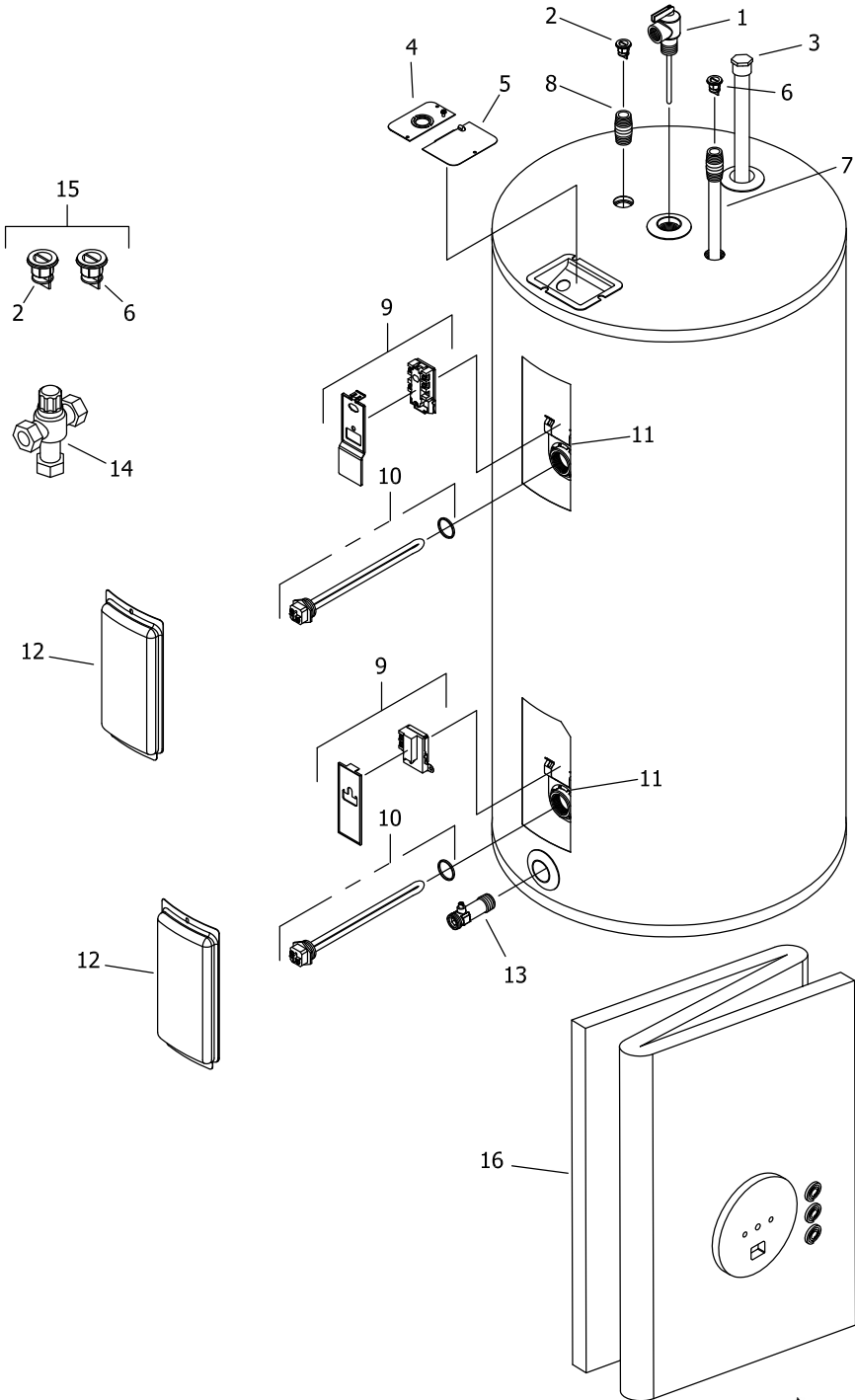
BOTTOM LOCATION

- Double element water heater, non-simultaneous single phase operation

59T



415-51046-00



Item	Description	Model	Model
		RE250T	RE250T Alternate*
1	T&P Relief Valve	415-40594-02	415-40594-02
2	Heat Trap Insert (Outlet)	415-45167-00	415-45167-00
3	Hot Water Outlet Anode (Magnesium) ♦#	---	415-55482-00
	Hot Water Outlet Anode (Aluminum) ♦#	---	415-55484-00
	Hex head Sacrificial Anode (Aluminum) ♦#	415-55485-00	---
	Hot Water Outlet Anode (A420 Aluminum) ♦#	---	415-55486-00
4	Cover Conduit/Ground w/ Ground Screw	239-55386-00	239-55386-00
5	Cover Junction Box	243-39452-00	243-39452-00
6	Heat Trap Insert (Inlet)	415-51556-00	415-51556-00
7	Cold Water Inlet Tube PEX ♦♦	229-51718-05	229-51718-05
8	Nipple outlet	415-50053-06	---
9	Upper Thermostat with High Limit (59T66) & Protector ▲■	415-51046-00	415-51046-00
	Lower Thermostat (59T) w/ Protector ▲■	415-51046-00	415-51046-00
	Lower Thermostat with High Limit (59T66) ▲	415-50691-00	415-50691-00
10	Heating Element 240V 4500W w/ Gasket μ (qty 2)	415-48642-00	415-48642-00
11	Thermostat Mounting Bracket	415-50689-00	415-50689-00
12	Access Cover	243-36618-02	243-36618-02
13	Brass Drain Valve	415-51684-01	415-51684-01
14	ASSE Approved Mixing Valve	239-51778-00	239-51778-00
15	Kit-Heat Trap Insert (PEX)	265-51572-00	265-51572-00
16	Blanket Kit	---	---

♦ Order with item 2.

♦♦ Order with item 6.

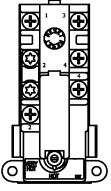
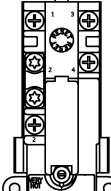
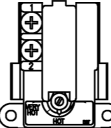
▲ Thermostat protector provided with thermostat. The thermostat mounting bracket is also provided with the thermostat.

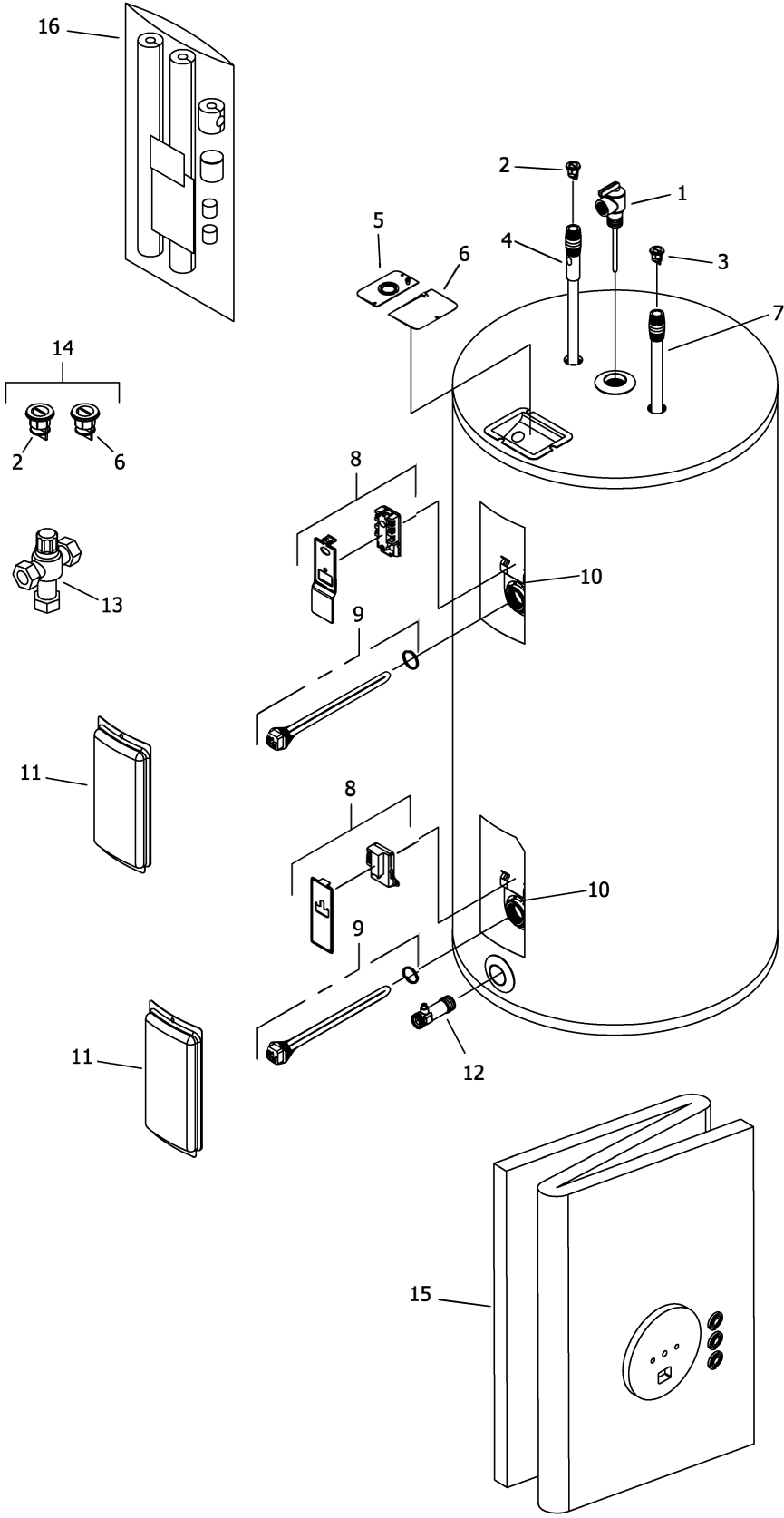
μ For other voltage and wattage combinations, refer to heating elements on page 12 & 13.

■ Upper and lower thermostats are packaged together.

Anode may need to be cut to length, please see page 14 for reference chart of anode length by model.

* See RE250T alternate construction on page 4.

<p>TOP LOCATION</p> <ul style="list-style-type: none"> • Double element water heater, non-simultaneous single phase and three phase operation.  <p>59T66T 415-51046-00</p>
<p>TOP LOCATION</p> <ul style="list-style-type: none"> • Double element water heater, simultaneous operation. <p>BOTTOM LOCATION</p> <ul style="list-style-type: none"> • Single element water heater. • Double element water heater, non-simultaneous three phase operation. • Double element water heater, simultaneous operation.  <p>59T66T 415-50691-00</p>
<p>BOTTOM LOCATION</p> <ul style="list-style-type: none"> • Double element water heater, non-simultaneous single phase operation  <p>59T 415-51046-00</p>



Item	Description	Model RE240L
1	T&P Relief Valve	415-40594-02
2	Heat Trap Insert (Inlet)	415-51556-00
3	Heat Trap Insert (Outlet)	415-45167-00
4	Hot Water Outlet Anode (Magnesium) ♦#	415-55482-00
	Hot Water Outlet Anode (Aluminum) ♦#	415-55484-00
	Hot Water Outlet Anode (A420 Aluminum) ♦#	415-55486-00
5	Cover Conduit/Ground w/ Ground Screw	239-55386-00
6	Cover Junction Box	243-39452-00
7	Cold Water Inlet Tube Pex ♦♦	229-51230-27
8	Upper Thermostat with High Limit (59T66) w/ Protector ▲■	415-51046-00
	Lower Thermostat (59T) w/ Protector ▲■	415-51046-00
	Lower Thermostat with High Limit (59T66) ▲	415-50691-00
9	Heating Element 240V 4500W w/ Gasket μ (qty 2)	415-48642-00
10	Thermostat Mounting Bracket	415-50689-00
11	Access Cover	243-36618-02
12	Drain Valve	415-51684-01
13	ASSE Approved Mixing Valve	239-51778-00
14	Kit-Heat Trap Insert (PEX)	265-51572-00
15	Blanket Kit	239-54891-00
16	Insulation Kit	239-48949-00

▲ Thermostat protector provided with thermostat. The thermostat mounting bracket is also provided with the thermostat.

μ For other voltage and wattage combinations, refer to heating elements on page 12 & 13.

■ Upper and lower thermostats are packaged together.

Anode may need to be cut to length, please see page 14 for reference chart of anode length by model.

TOP LOCATION

- RE250L(N) & RE255T water heater, non-simultaneous single phase and three phase operation.

59T66T

415-54052-00

TOP LOCATION

- Double element water heater, non-simultaneous single phase and three phase operation except RE250L(N) & RE255T.

59T66T

415-51046-00

TOP LOCATION

- Double element water heater, simultaneous operation.

BOTTOM LOCATION

- Single element water heater.
- Double element water heater, non-simultaneous three phase operation.
- Double element water heater, simultaneous operation.

59T66T

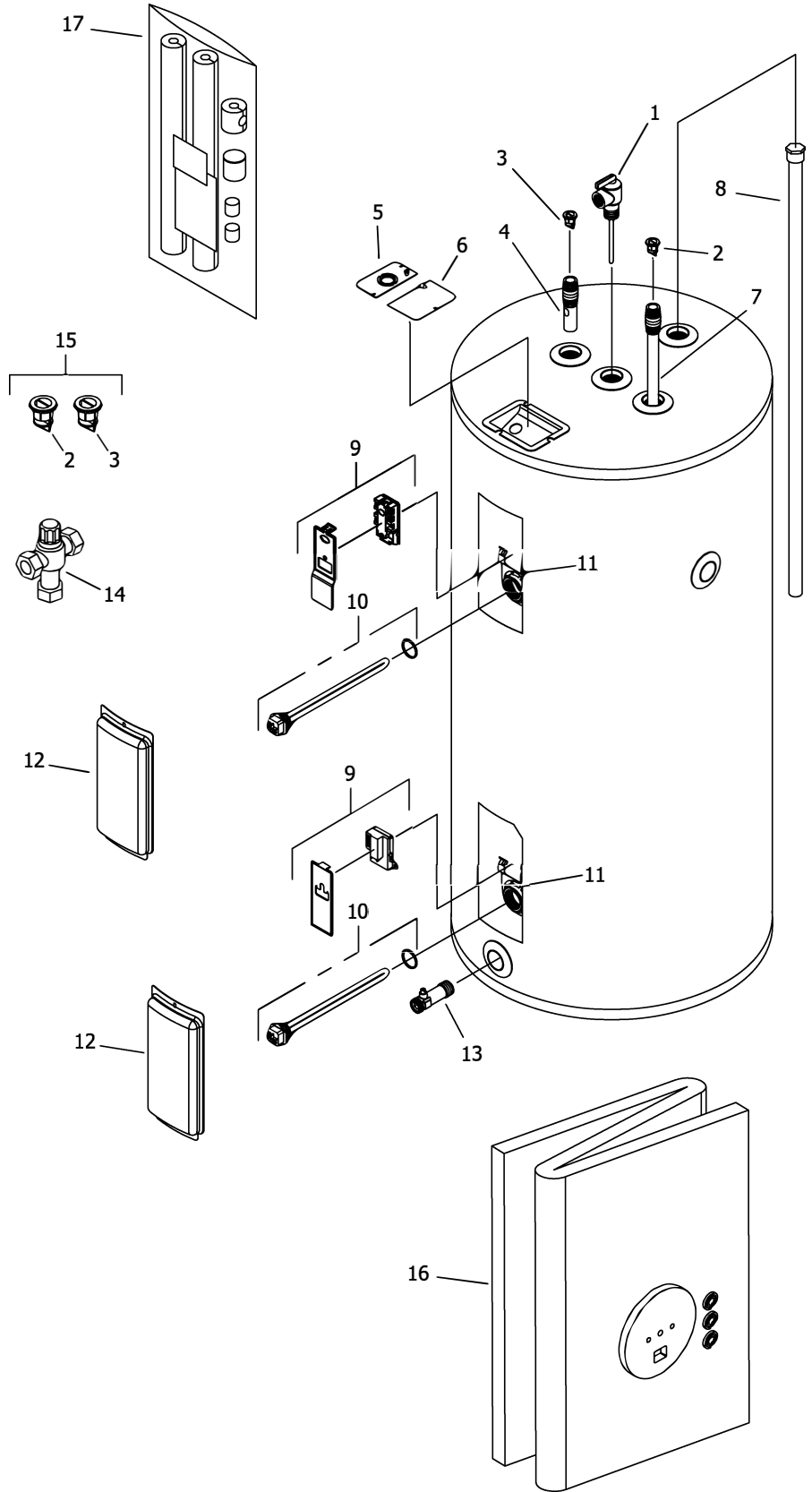
415-50691-00

BOTTOM LOCATION

- Double element water heater, non-simultaneous single phase operation

59T

415-51046-00



Item	Description	Model RE120L	Model RE130L	Model RE230LN	Model RE240LN	Model RE250L(N)	Model RE255T
1	T&P Relief Valve	415-40594-02	415-40594-02	415-40594-02	415-40594-02	415-40594-02	415-40594-04
2	Heat Trap Insert (Inlet)	---	415-51556-00	415-51556-00	415-51556-00	415-51556-00	415-51556-00
3	Heat Trap Insert (Outlet)	---	415-45167-00	415-45167-00	415-45167-00	415-45167-00	415-45167-00
4	Hot Water Outlet Device ♦	---	229-51995-00	229-51995-00	229-51858-00	229-51858-00	229-50053-06
5	Cover Conduit/Ground w/ Ground Screw	239-55386-00	239-55386-00	239-55386-00	239-55386-00	239-55386-00	239-55386-00
6	Cover Junction Box	243-39452-00	243-39452-00	243-39452-00	243-39452-00	243-39452-00	243-39452-00
7	Cold Water Inlet Tube PEX ♦	415-51230-01	229-51718-03	229-51718-03	229-52007-01	229-51718-02	229-51718-05
8	Hex head Sacrificial Anode (Magnesium) #	415-55483-00	415-55483-00	415-55483-00	415-55483-00	415-55483-00	415-55483-00
	Hex head Sacrificial Anode (Aluminum) #	415-55485-00	415-55485-00	415-55485-00	415-55485-00	415-55485-00	415-55485-00
	Hex head Sacrificial Anode (A420 Aluminum) #	415-55487-00	415-55487-00	415-55487-00	415-55487-00	415-55487-00	415-55487-00
9	Upper Thermostat with High Limit (59T66) & Protector ▲■	415-51046-00	415-51046-00	415-51046-00	415-51046-00	415-54052-00	415-54052-00
	Lower Thermostat (59T) w/ Protector ▲■	415-51046-00	415-51046-00	415-51046-00	415-51046-00	415-54052-00	415-54052-00
	Lower Thermostat with High Limit (59T66) ▲	415-50691-00	415-50691-00	415-50691-00	415-50691-00	415-50691-00	415-50691-00
10	Heating Element 240V 4500W w/ Gasket μ (qty 2)	415-48642-00	415-48642-00	415-48642-00	415-48642-00	415-48642-00	415-48642-00
11	Thermostat Mounting Bracket	415-50689-00	415-50689-00	415-50689-00	415-50689-00	415-50689-00	415-50689-00
12	Access Cover	243-36618-02	243-36618-02	243-36618-02	243-36618-02	243-36618-02	243-36618-02
13	Brass Drain Valve	415-42351-02	415-42351-02	415-51684-02	415-51684-02	415-51684-01	415-51684-02
14	ASSE Approved Mixing Valve	239-51778-00	239-51778-00	239-51778-00	239-51778-00	239-51778-00	239-51778-00
15	Kit-Heat Trap Insert (PEX)	---	265-51875-00	265-51875-00	265-51875-00	265-51875-00	265-51572-00
16	Blanket Kit	---	239-54890-00	---	---	---	---
17	Insulation Kit	---	239-48949-00	239-48949-00	239-48949-00	239-48949-00	---

♦ Order with item 2.

▲ Thermostat protector provided with thermostat. The thermostat mounting bracket is also provided with the thermostat.

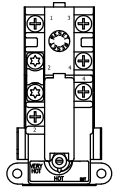
μ For other voltage and wattage combinations, refer to heating elements on page 12 & 13.

■ Upper and lower thermostats are packaged together.

Anode may need to be cut to length, please see page 14 for reference chart of anode length by model.

TOP LOCATION

- Double element water heater, non-simultaneous single phase and three phase operation.



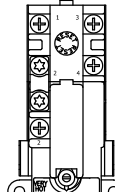
59T66T
415-51046-00

TOP LOCATION

- Double element water heater, simultaneous operation.

BOTTOM LOCATION

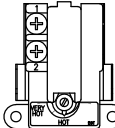
- Single element water heater.
- Double element water heater, non-simultaneous three phase operation.
- Double element water heater, simultaneous operation.



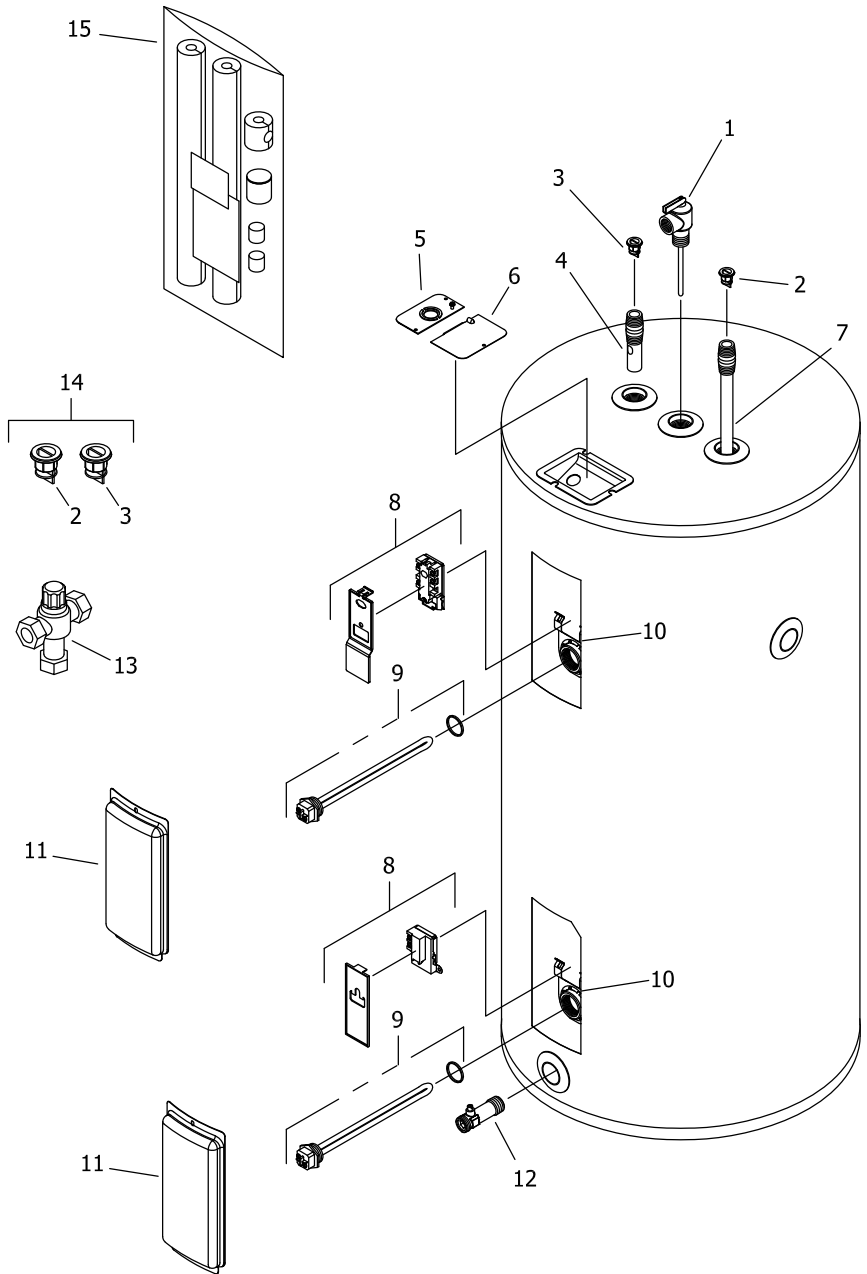
59T66T
415-50691-00

BOTTOM LOCATION

- Double element water heater, non-simultaneous single phase operation



59T
415-51046-00



Item	Description	Model RE340T	Model RE350T	Model RE380T	Model RE3120T
1	T&P Relief Valve	415-40594-02	415-40594-02	415-40594-02	415-40594-02
2	Heat Trap Insert (Outlet)	415-45167-00	415-45167-00	415-45167-00	415-45167-00
3	Hot Water Outlet Anode (Magnesium) ♦#	415-55482-00	415-47776-25	415-55482-00	415-47780-01
	Hot Water Outlet Anode (Aluminum) ♦#	415-55484-00	415-32999-43	415-55484-00	415-55484-00
	Hot Water Outlet Anode (A420 Aluminum) ♦#	415-55486-00	415-49560-11	415-55486-00	415-55486-00
4	Cover Conduit/Ground w/ Ground Screw	239-55386-00	239-55386-00	239-55386-00	239-55386-00
5	Cover Junction Box	243-39452-00	243-39452-00	243-39452-00	243-39452-00
6	Heat Trap Insert (Inlet)	415-51556-00	415-51556-00	415-51556-00	415-51556-00
7	Cold Water Inlet Tube PEX ♦♦	415-51230-35	415-51718-05	415-51230-33	415-45032-01
8	Upper Thermostat with High Limit (59T66) & Protector ▲■	415-51046-00	415-51046-00	415-51046-00	415-51046-00
	Lower Thermostat (59T) w/ Protector ▲■	415-51046-00	415-51046-00	415-51046-00	415-51046-00
	Lower Thermostat with High Limit (59T66) ▲	415-50691-00	415-50691-00	415-50691-00	415-50691-00
9	Heating Element 240V 4500W w/ Gasket μ (qty 2)	415-48642-00	415-48642-00	415-48642-00	415-48642-00
10	Thermostat Mounting Bracket	415-50689-00	415-50689-00	415-50689-00	415-50689-00
11	Access Cover	243-36618-02	243-36618-02	243-36618-02	243-36618-02
12	Brass Drain Valve	415-51684-02	415-51684-02	415-42351-04	415-42351-04
13	ASSE Approved Mixing Valve	239-51778-00	239-51778-00	239-51778-00	239-51778-00
14	Kit-Heat Trap Insert (PEX)	265-51572-00	265-51572-00	265-51572-00	265-51572-00
15	Insulation Kit	---	---	239-48949-00	239-48949-00

♦ Order with item 2.

♦♦ Order with item 6.

▲ Thermostat protector provided with thermostat. The thermostat mounting bracket is also provided with the thermostat.

μ For other voltage and wattage combinations, refer to heating elements on page 12 & 13.

■ Upper and lower thermostats are packaged together.

Anode may need to be cut to length, please see page 14 for reference chart of anode length by model.

**Heating Elements (Incoloy) for:
Residential Series (RE)
Light Duty (LE) Commercial Series
Medium Duty (E32) Commercial Series
Commercial (MII) Series**

Wattage	120 Volt	208 Volt	240 Volt	277 Volt	380 Volt
1000W ▲	N/A	415-42545-17	415-42547-10	N/A	N/A
1250W ▲	N/A	N/A	N/A	N/A	N/A
1500W ▲	415-42541-02	415-42545-02	415-42545-13	415-42547-10	415-42551-12
1500W (LWD)▲	N/A	N/A	N/A	N/A	N/A
2000W ▲	N/A	415-42545-14	415-42545-02	415-42547-07	415-42549-04
2500W ▲	N/A	415-42545-11	415-42545-14	415-42547-11	415-42551-13
3000W ▲	N/A	415-42545-12	415-42545-15	415-42547-08	415-42551-10
3500W ▲▲	N/A	415-42545-16	415-42545-11	N/A	415-42551-14
3800W ▲▲	N/A	N/A	415-42547-15	N/A	N/A
4000W ▲▲	N/A	415-42545-17	415-42545-12	415-42547-03	415-42551-16
4500W ▲▲	N/A	415-42545-19	415-42545-16	415-42547-12	415-42551-17
4500W (LWD) ▲▲	N/A	N/A	N/A	N/A	N/A
5000W ▲▲	N/A	415-42543-04	415-42545-18	415-42547-15	415-42553-11
5500W ▲▲	N/A	415-42543-05	415-42545-17	415-42547-13	415-42549-06
6000W ▲▲	N/A	415-42543-06	415-42545-19	415-42547-14	415-42549-05
Element gasket ^	223-34019-00	223-34019-00	223-34019-00	223-34019-00	223-34019-00
Element plug	223-34020-00	223-34020-00	223-34020-00	223-34020-00	223-34020-00

(LWD) = Low Watt Density

Element wrench *** 415-35897-12

Adapt-a-flange kit *** 265-36968-12

*** For use with residential, LD, E32, and MII series heating elements only. Not for use with commercial "A" series heating elements.

▲ For 12" Diameter tanks and above.

▲▲ For 14" Diameter tanks and above.

* For 16" Diameter tanks and above.

** For 18" Diameter tanks and above.

^ Element gaskets included with elements.

**Heating Elements (Copper) for:
Residential Series (RE)
Light Duty (LE) Commercial Series
Medium Duty (E32) Commercial Series
Commercial (MII) Series**

Wattage	120 Volt	208 Volt	240 Volt	277 Volt	380 Volt
1000W ▲	415-42540-01	415-42544-01	415-42546-01	N/A	N/A
1250W ▲	N/A	N/A	415-42544-13	N/A	N/A
1500W ▲	415-42540-02	415-42544-03	415-42544-01	N/A	N/A
1500W (LWD) ▲	415-42540-03	N/A	415-42544-02	N/A	N/A
2000W ▲	415-42540-04	415-42544-04	415-42544-03	N/A	N/A
2500W ▲	415-42540-05	415-42544-06	415-42544-04	N/A	N/A
3000W ▲	415-42540-07	415-42544-14	415-42544-05	N/A	N/A
3500W ▲▲	N/A	415-42544-08	415-42544-06	N/A	N/A
3800W ▲▲	N/A	N/A	415-42546-10	N/A	N/A
4000W ▲▲	N/A	415-42544-16	415-42544-14	N/A	N/A
4500W ▲▲	N/A	415-42544-12	415-42544-08	N/A	N/A
4500W (LWD) ▲▲	N/A	N/A	415-51333-09	N/A	N/A
5000W ▲▲	N/A	N/A	415-42544-10	N/A	N/A
5500W ▲▲	N/A	N/A	415-42544-16	N/A	N/A
6000W ▲▲	N/A	N/A	415-42544-12	N/A	N/A
Element gasket ^	223-34019-00	223-34019-00	223-34019-00	223-34019-00	223-34019-00
Element plug	223-34020-00	223-34020-00	223-34020-00	223-34020-00	223-34020-00

(LWD) = Low Watt Density

- ▲ For 12" Diameter tanks and above.
- ▲▲ For 14" Diameter tanks and above.
- * For 16" Diameter tanks and above.
- ** For 18" Diameter tanks and above.
- ^ Element gaskets included with elements.



United States

Sales 1-800-523-2931
Technical Support 1-800-334-3393
Email techsupport@bradfordwhite.com
Warranty 1-800-531-2111
Email warranty@bradfordwhite.com
Service Parts 1-800-538-2020
Email parts@bradfordwhite.com

Canada

Sales 1-866-690-0961 1-905-203-0600
Fax 905-636-0666
Warranty 1-800-531-2111
Email warranty@bradfordwhite.com
Technical Support 1-800-334-3393
Email techsupport@bradfordwhite.com
Service Parts and Orders ca.orders@bradfordwhite.com

For U.S. and Canada field service, contact your professional installer or local Bradford White sales representative.

International

General Contact international@bradfordwhite.com