



BRADFORD WHITE[®]
W A T E R H E A T E R S

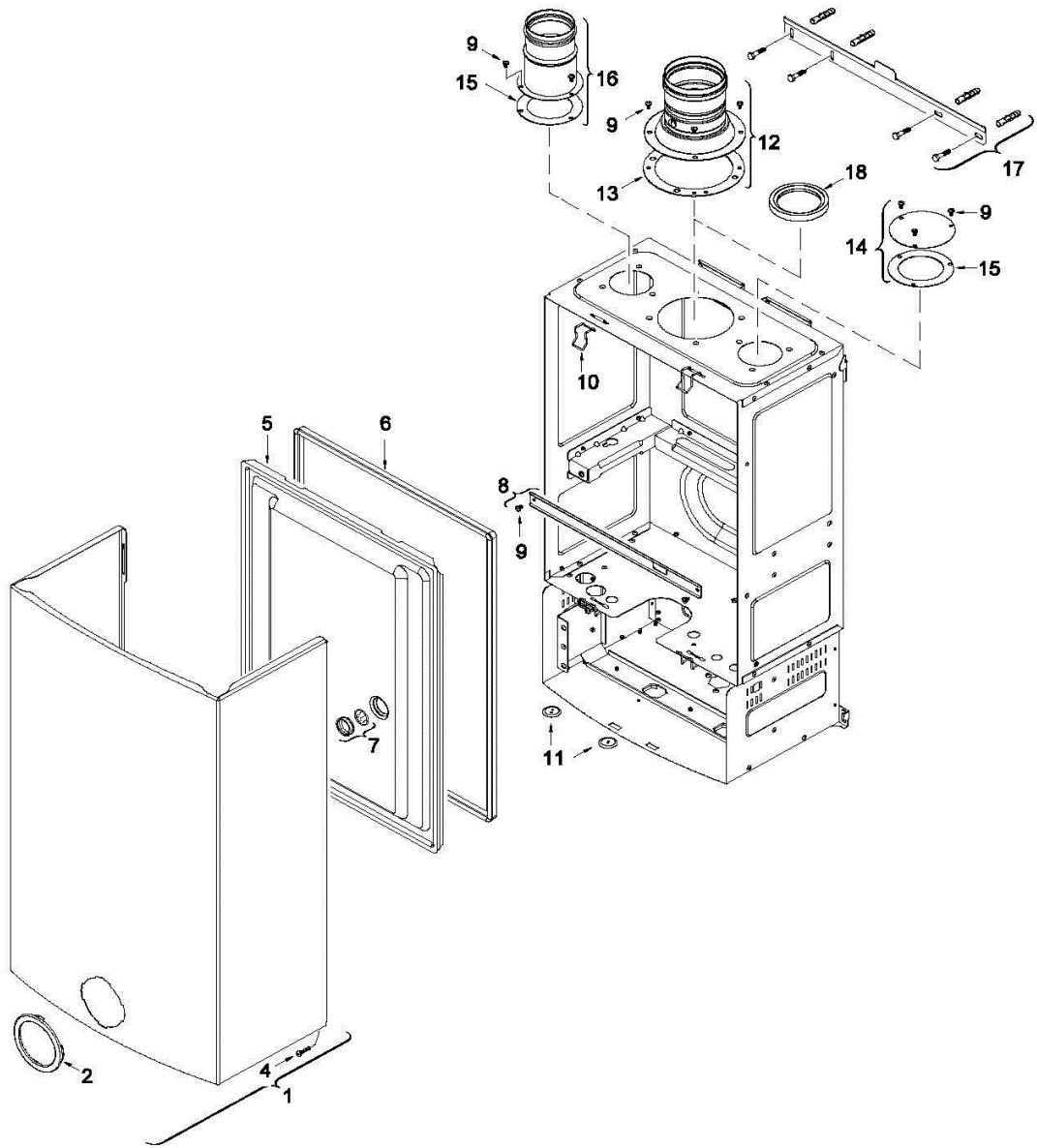
RESIDENTIAL GAS REPLACEMENT PARTS LIST
RTG199ME (N,X) Models



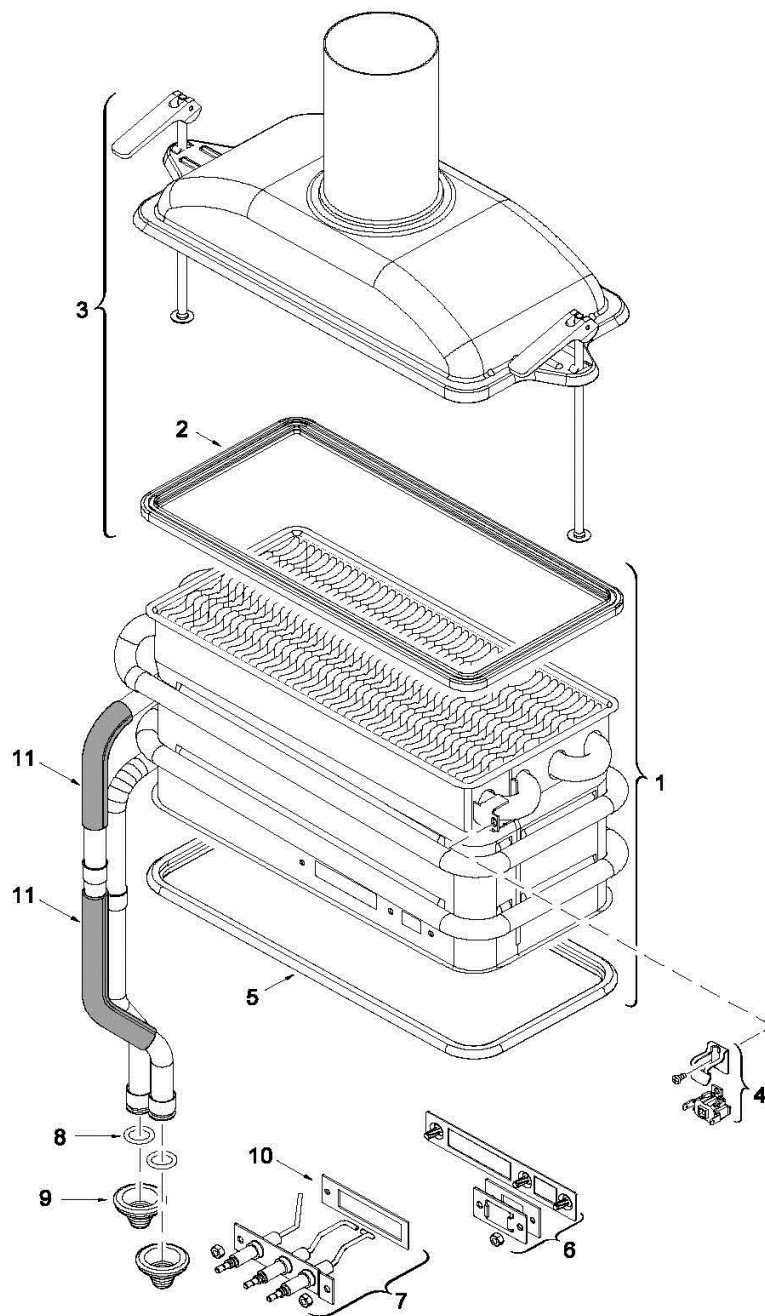
Effective: June, 2014
ECO 7925

**NOTE: BOTH MODEL AND SERIAL
NUMBERS ARE REQUIRED FOR
ORDERING REPLACEMENT PARTS**

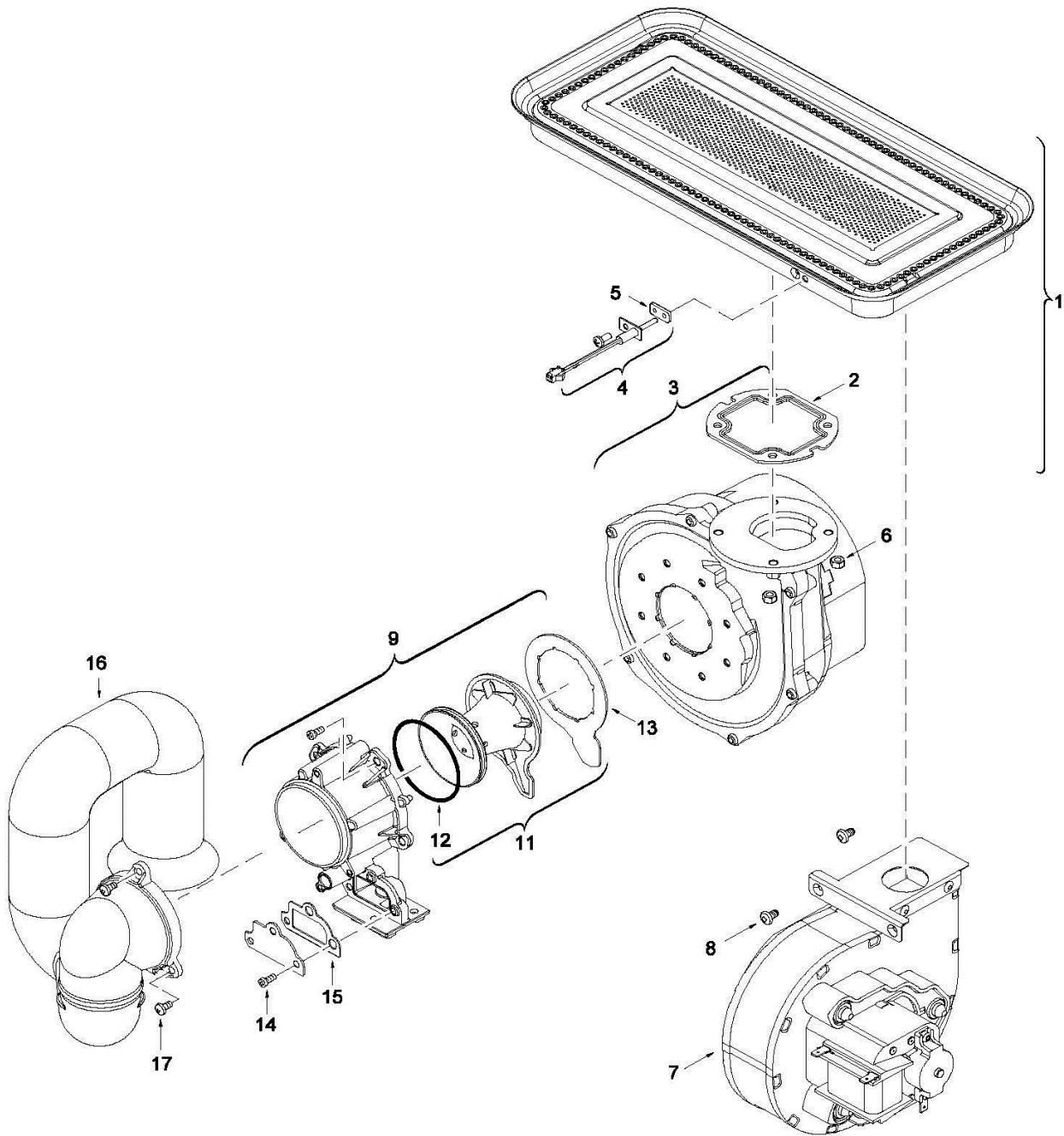
Dimensions and specifications
subject to change without notice.



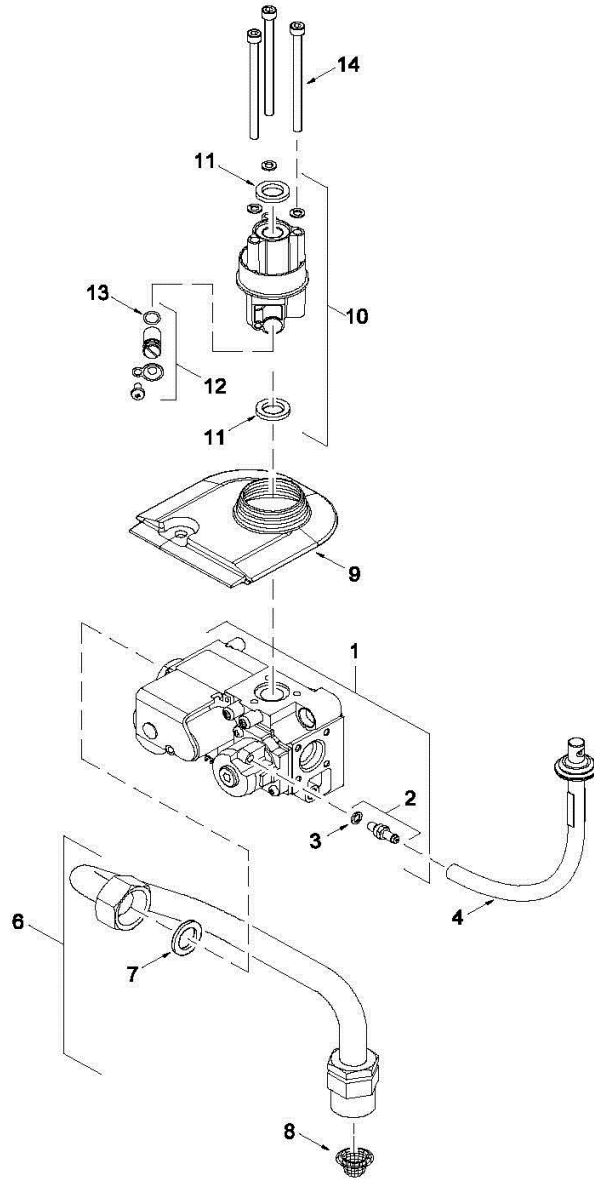
Item	Description	Model	
		RTG199MEN	RTG199MEX
1	Front Cover	8 738 709 019	8 738 709 019
2	Shield	8 738 709 020	8 738 709 020
4	Screw	8 703 401 170 0	8 703 401 170 0
5	Combustion cover	8 700 506 300 0	8 700 506 300 0
6	Gasket	8 704 701 084 0	8 704 701 084 0
7	Observation window	8 705 600 003 0	8 705 600 003 0
8	Holding bracket	8 708 104 103 0	8 708 104 103 0
9	Screw M4, 8x9,5 (10x)	8 703 403 012 0	8 703 403 012 0
10	Clip	8 701 201 032 0	8 701 201 032 0
11	Grommet set	8 710 203 039 0	8 710 203 039 0
12	Exhaust accessory	8 705 504 151 0	8 705 504 151 0
13	Washer	8 700 103 710 0	8 700 103 710 0
14	Inlet air cover	8 708 006 022 0	8 708 006 022 0
15	Gasket (10x)	8 700 103 166 0	8 700 103 166 0
16	Inlet air accessory	8 705 504 154 0	8 705 504 154 0
17	Mounting bracket	8 701 309 164 0	8 701 309 164 0



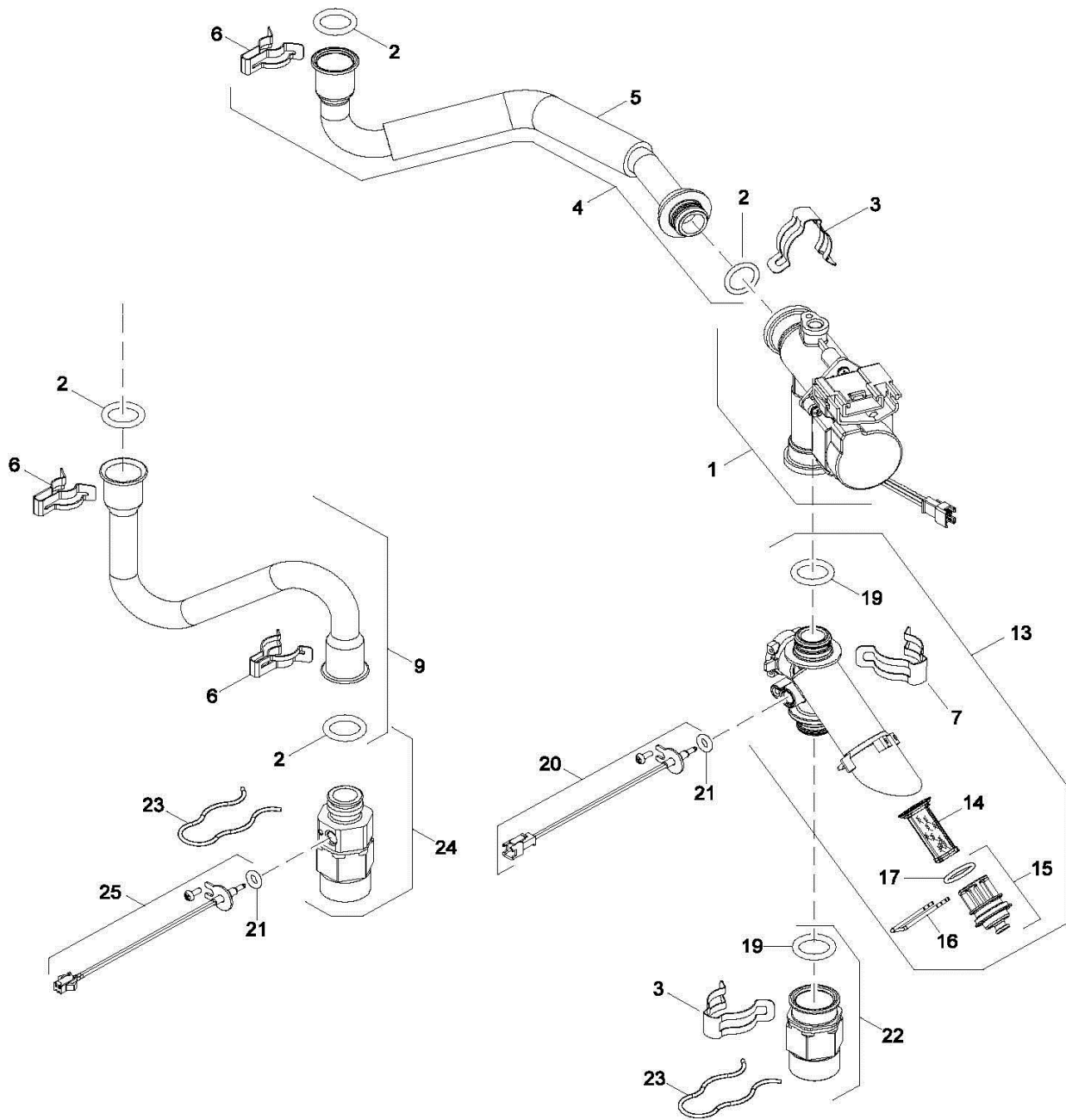
Item	Description	Model	
		RTG199MEN	RTG199MEX
1	Heat exchanger	8 738 701 985 0	8 705 406 422 0
2	Washer	8 704 701 052 0	8 704 701 052 0
3	Flue gas collector	8 705 700 153 0	8 705 700 153 0
4	Overheat sensor (ECO)	8 707 206 204 0	8 707 206 204 0
5	Washer	8 704 701 054 0	8 704 701 054 0
6	Site window	8 701 000 401 0	8 701 000 401 0
7	Ignition group	8 701 302 249 0	8 701 302 249 0
8	O-ring (10x)	8 700 205 147 0	8 700 205 147 0
9	Rubber seal	8 710 303 027 0	8 710 303 027 0
10	Washer (10x)	8 704 701 088 0	8 704 701 088 0
11	Insulation (145x60)	8 702 303 027 0	8 702 303 027 0



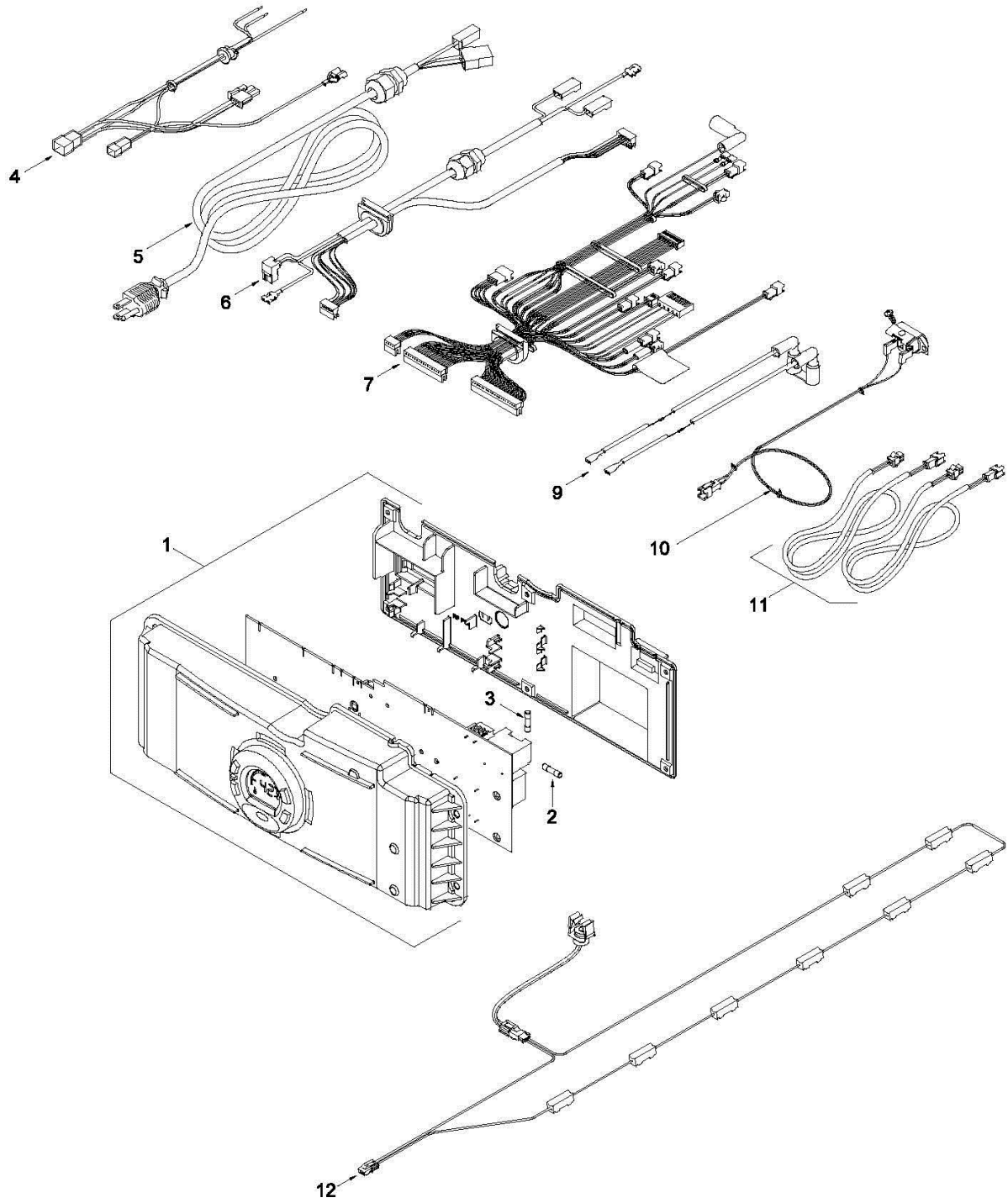
Item	Description	Model	
		RTG199MEN	RTG199MEX
1	Burner	8 708 120 699 0	8 708 120 699 0
2	Gasket	8 704 701 087 0	8 704 701 087 0
3	Fan	8 738 709 000	8 738 709 000
4	Exhaust temperature sensor	8 707 206 459 0	8 707 206 459 0
5	Washer	8 704 701 097 0	8 704 701 097 0
6	Nut M5	2 915 011 006 0	2 915 011 006 0
7	Fan	8 707 204 094 0	8 707 204 072 0
8	Screw M4, 8x9, 5 (10x)	8 703 403 012 0	8 703 403 012 0
9	Gas / Air Mixer	8 705 700 170 0	8 705 700 170 0
10	O-ring (10x)	8 700 205 149 0	8 700 205 149 0
11	Venturi	8 700 306 226 0	8 700 306 226 0
12	O-ring (10x)	8 700 205 224 0	8 700 205 224 0
13	Washer	8 704 701 059 0	8 704 701 059 0
14	Screw	2 910 642 150 0	2 910 642 150 0
15	Washer	8 701 004 049 0	8 701 004 049 0
16	Air supply duct	8 705 700 155 0	8 705 700 155 0
17	Screw M4 x 12 phillips (10x)	2 910 952 122 0	2 910 952 122 0



Item	Description	Model	
		RTG199MEN	RTG199MEX
1	Gas valve	8 738 708 999	8 738 708 999
2	Pressure tapping	8 703 404 219 0	8 703 404 219 0
3	Washer (10x)	8 700 203 041 0	8 700 203 041 0
4	Pressure balance tube	8 718 221 063 0	8 718 221 063 0
6	Gas supply pipe	8 700 715 389 0	8 700 715 389 0
7	Washer-fibre 24OD X 16 ID X 2MM	8 700 103 014 0	8 700 103 014 0
8	Gas filter	8 700 507 002 0	8 700 507 002 0
9	Gasket	8 704 701 085 0	8 704 701 085 0
10	Connector	8 705 202 140 0	8 705 202 140 0
11	Washer (10x)	8 704 701 062 0	8 704 701 062 0
12	Screw for settings	8 703 404 220 0	8 703 404 220 0
13	O-ring (10x)	8 700 205 009 0	8 700 205 009 0
14	Screw (10x)	2 910 149 181 0	2 910 149 181 0



Item	Description	Model	
		RTG199MEN	RTG199MEX
1	Water valve with engine	8 708 505 023 0	8 708 505 023 0
2	O-ring (10x)	8 700 205 147 0	8 700 205 147 0
3	Clip for watervalue W2	8 716 102 607 0	8 716 102 607 0
4	Pipe	8 738 703 468 0	8 738 703 468 0
5	Insulation (145x60)	8 702 303 027 0	8 702 303 027 0
6	Clip (10x)	8 701 201 028 0	8 701 201 028 0
7	Clip (10x)	8 738 704 185 0	8 738 704 185 0
9	Pipe	8 738 703 311 0	8 738 703 311 0
13	Connection piece	8 738 704 672 0	8 738 704 672 0
14	Strainer	8 700 507 081 0	8 700 507 081 0
15	Cover	8 738 702 550 0	8 738 702 550 0
16	Wire form spring (10x)	8 704 705 029 0	8 704 705 029 0
17	O-ring (10x)	8 700 205 312 0	8 700 205 312 0
19	O-ring (10x)	8 700 205 157 0	8 700 205 157 0
20	Temperature sensor	8 700 400 042 0	8 700 400 042 0
21	O-ring (10x)	8 700 205 310 0	8 700 205 310 0
22	Connection bush	8 738 702 558 0	8 738 702 558 0
23	Clip (10x)	8 701 300 025 0	8 701 300 025 0
24	Connection bush	8 738 702 548 0	8 738 702 548 0
25	Temperature sensor	8 700 400 033 0	8 700 400 033 0



Item	Description	Model	
		RTG199MEN	RTG199MEX
1	Control box	8 738 708 998	8 738 708 998
2	Fusing element T2,5A (10x)	1 904 521 342 0	1 904 521 342 0
3	Fusing element T1,6A (5x20mm)	8 700 609 008 0	8 700 609 008 0
4	Power supply cables	8 704 401 371 0	8 704 401 371 0
5	Power supply cord	8 704 401 378 0	8 704 401 378 0
6	Fan cable	8 738 704 460 0	8 738 704 460 0
7	Cable harness	8 738 701 757 0	8 738 701 757 0
9	Electrode cables	8 704 401 346 0	8 704 401 346 0
10	Temperature sensor	8 700 400 032 0	8 700 400 032 0
11	Kit Intelligent cascading	7 709 003 962	7 709 003 962
12	Anti-freeze accessory	7 709 003 665	7 709 003 665



BRADFORD WHITE®

W A T E R H E A T E R S

Ambler, PA

For U.S. and Canada field service,
contact your professional installer or
local Bradford White sales representative.

Sales/800-523-2931
Fax/215-641-1670
Parts Fax/215-641-2180

Technical Support/800-334-3393
Fax/269-795-1089

Warranty/800-531-2111
Fax/269-795-1089

International:
Telephone/215-641-9400
Telefax/215-641-9750



BRADFORD WHITE-CANADA® INC.

Mississauga, ON

Sales/866-690-0961
905-238-0100

Fax/905-238-0105

Technical Support/800-334-3393

Email

parts@bradfordwhite.com
techserv@bradfordwhite.com

www.bradfordwhite.com