



RESIDENTIAL REPLACEMENT PARTS LIST

Residential Ultra Low NOx (75 Gallon) Models



Models Covered:
U2TW75T6RN
UTW475S76R3N

Includes Hydrojet® Total
Performance System

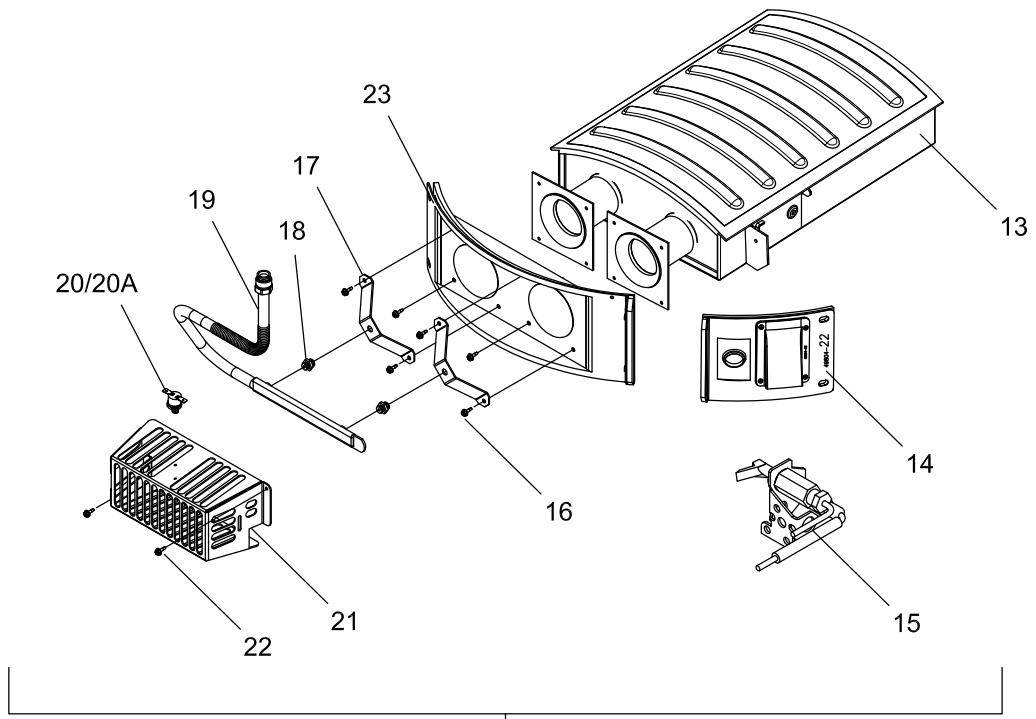
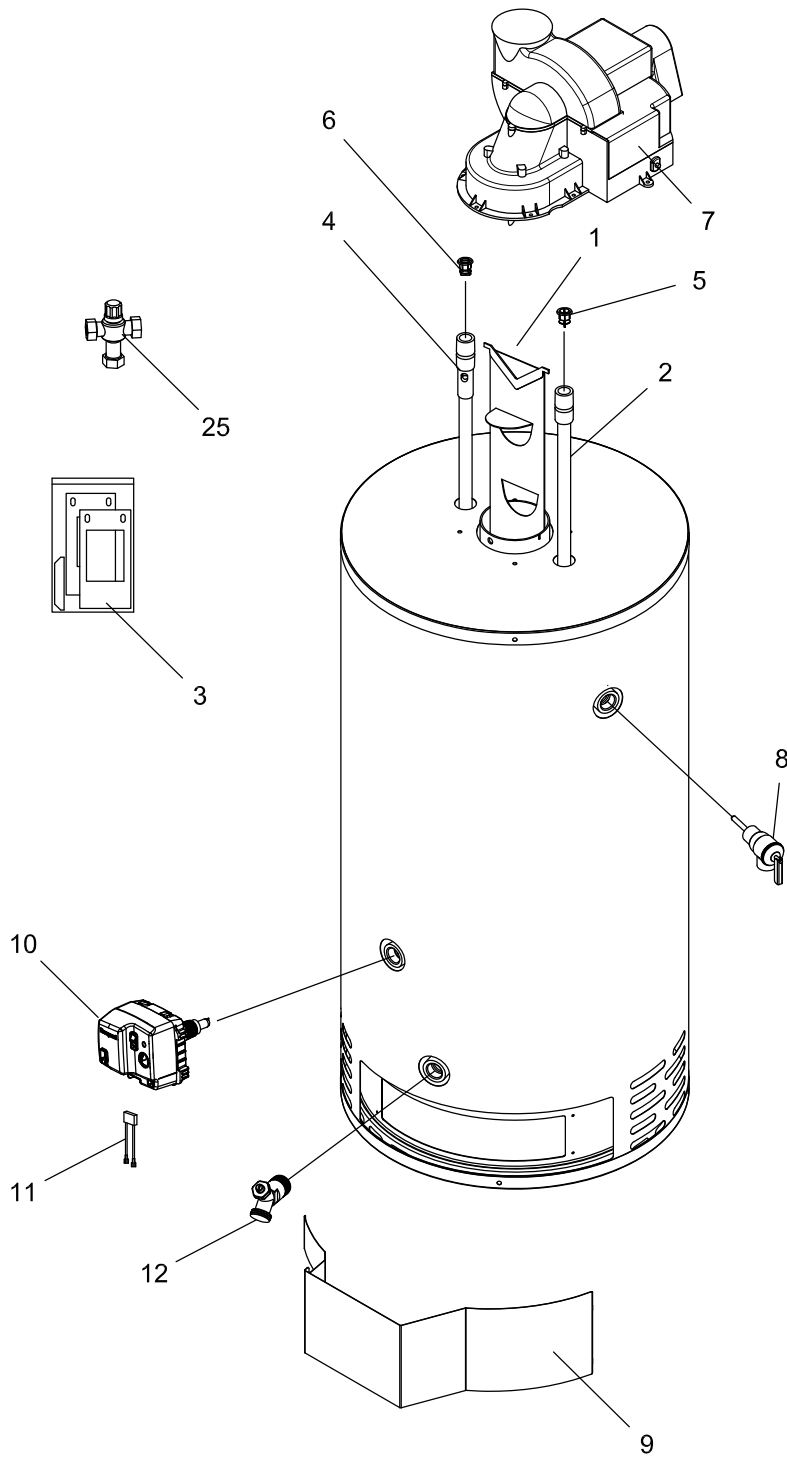
Effective: October, 2024
ECO 8780

**NOTE: BOTH MODEL AND SERIAL
NUMBERS ARE REQUIRED FOR
ORDERING REPLACEMENT PARTS**

Dimensions and specifications
subject to change without notice.

WARNING
CANCER AND REPRODUCTIVE HARM
WWW.P65WARNINGS.CA.GOV

As required by the state of California Proposition 65.



Item	Description	Model	Model
		U2TW75	UTW475S
1	Flue Baffle	239-45373-00	239-45373-00
2	Cold Water Inlet Dip Tube Polypropylene ▲▲	229-39625-05	229-39625-19
	Cold Water Inlet Dip Tube Polysulfone(NC Code) ▲	229-39628-05	229-39628-19
3	Inner Door Gasket Kit	239-49987-00	239-49987-00
4	Hot Water Outlet Anode(Magnesium)▲	415-55482-00	415-55482-00
	Hot Water Outlet Anode(Aluminum)▲	415-55484-00	415-55484-00
	Hot Water Outlet Anode(A420)▲	415-55486-00	415-55486-00
5	Heat Trap Insert (Inlet)	415-45073-00	415-45073-00
6	Heat Trap Insert (Outlet)	415-45167-00	415-45167-00
7	Blower (normal alt.)	239-45583-00	239-45583-00
	2-5k Altitude	239-45986-00	239-45986-00
	5-8k Altitude	239-45986-00	239-45986-00
8	T&P Relief Valve	415-40594-02	415-40594-02
9	Outer Door	239-49092-00	239-49092-00
10	Gas Control Kit	239-49823-02	239-49823-02
11	Resistive Device	238-50408-00	238-50408-00
12	Drain Valve (Brass)	415-42351-02	415-42351-02
13	Burner**	228-50194-01	228-50194-01
14	Inner Door Right Side Assembly	239-49804-22	239-49804-22
15	Pilot	233-50195-01	233-50195-01
16	Screw #8-18 x 3/4 HWH (2 req'd)	239-44195-00	239-44195-00
17	Orifice Bracket	239-49090-00	239-49090-00
18	Orifice(normal alt.)	234-41034-37	234-41034-37
	2-5k Altitude	234-41034-39	234-41034-39
	5-8k Altitude	234-41034-40	234-41034-40
19	Gas Feed Line	233-49091-00	233-49091-00
20	Thermal Switch	415-48643-03	415-48643-03
20A	Screw #6-20 x 3/8 PHCR (2 req'd)	239-43967-00	239-43967-00
21	Cover	239-49832-00	239-49832-00
22	Screw #8-18 x 3/4 HWH (8 req'd)	239-44195-00	239-44195-00
23	Inner Door	239-49557-00	239-49557-00
24	Burner Assembly(normal alt.)***	265-49930-01-37	265-49930-01-37
	2-5k Altitude	265-49930-01-39	265-49930-01-39
	5-8k Altitude	265-49930-01-40	265-49930-01-40
25	ASSE Approved Mixing Valve (Optional)	239-43740-01	239-43740-01

*Applies to all warranties

**Inner door gasket kit recommended

***Ordering a complete burner assembly may increase delivery time. Please order the specific component required for the quickest delivery.

▲ Order with Item 6

▲▲ Order with Item 5



United States

Sales 1-800-523-2931
Technical Support 1-800-334-3393
Email techsupport@bradfordwhite.com
Warranty 1-800-531-2111
Email warranty@bradfordwhite.com
Service Parts 1-800-538-2020
Email parts@bradfordwhite.com

Canada

Sales 1-866-690-0961 1-905-203-0600
Fax 905-636-0666
Warranty 1-800-531-2111
Email warranty@bradfordwhite.com
Technical Support 1-800-334-3393
Email techsupport@bradfordwhite.com
Service Parts and Orders ca.orders@bradfordwhite.com

For U.S. and Canada field service, contact your professional installer or local Bradford White sales representative.

International

General Contact international@bradfordwhite.com