



BRADFORD WHITE[®]
W A T E R H E A T E R S

**RESIDENTIAL AND LIGHT DUTY COMMERCIAL
REPLACEMENT PARTS LIST**

Atmospheric ICON[®] Gas Control



BRADFORD WHITE
ICON
System[®]

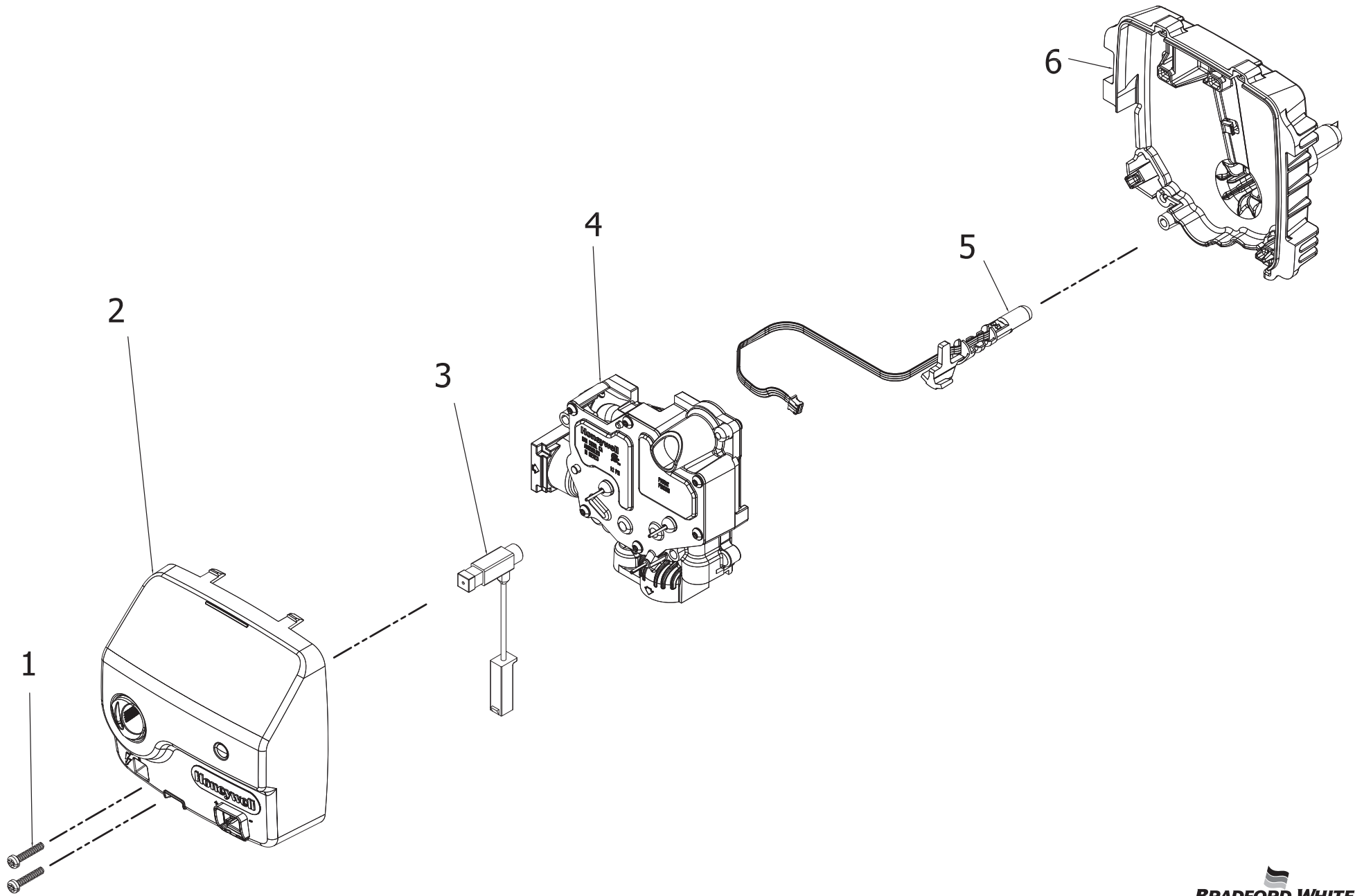
Effective: June, 2018
ECO 8195

**NOTE: BOTH MODEL AND SERIAL
NUMBERS ARE REQUIRED FOR
ORDERING REPLACEMENT PARTS**

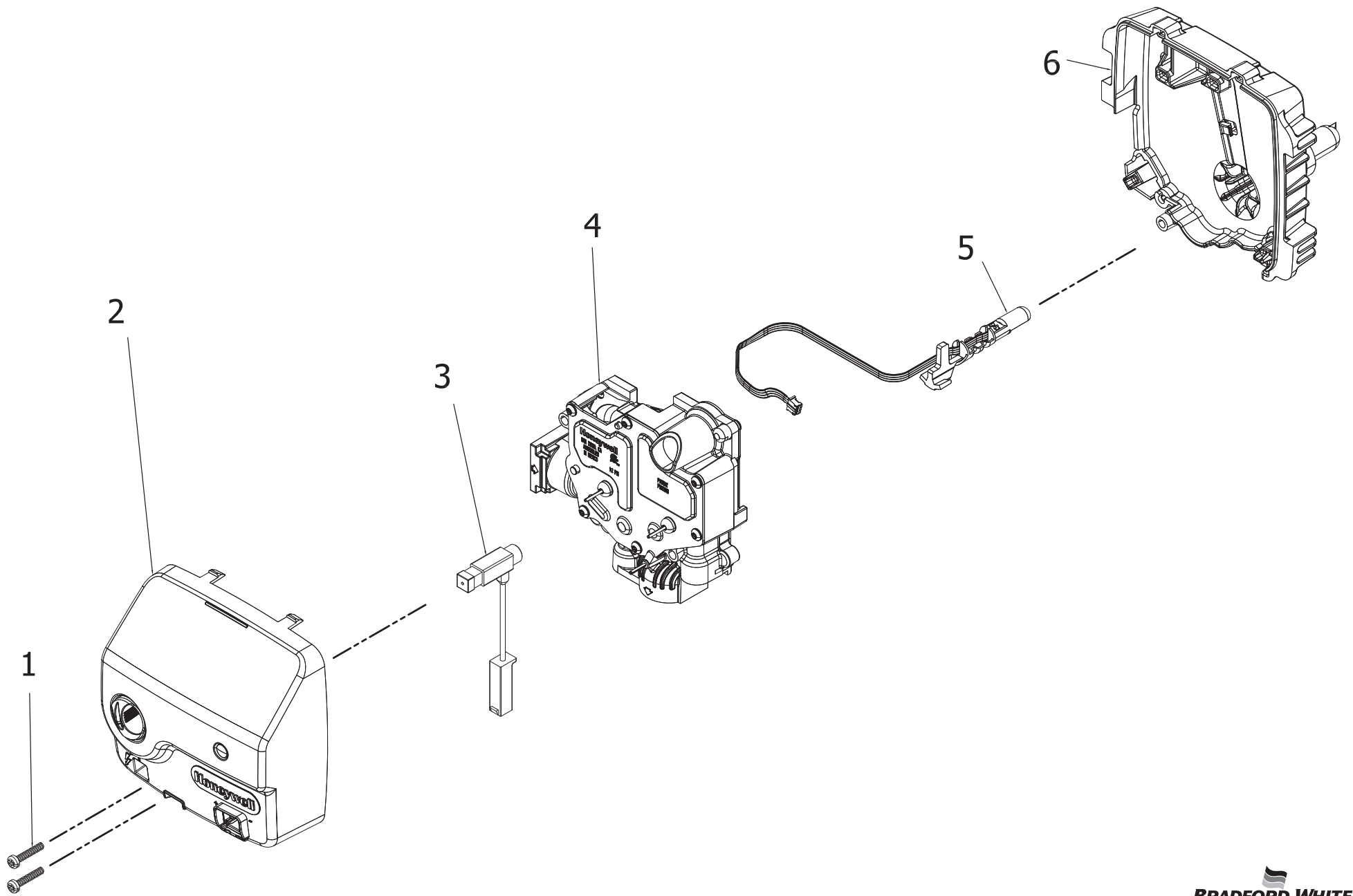
Dimensions and specifications
subject to change without notice.

WARNING
CANCER AND REPRODUCTIVE HARM
WWW.P65WARNINGS.CA.GOV

As required by the state of California Proposition 65.



Item Description	222-47463-01	222-47463-02	222-47464-01	222-47464-02
	1" Cavity 160 °F Natural	2" Cavity 160 °F Natural	1" Cavity 180 °F Natural	2" Cavity 180 °F Natural
1 Screw-8 x 3/4 PHCR	239-49699-00	239-49699-00	239-49699-00	239-49699-00
2 Cover-Gas Control	239-48416-01	239-48416-01	239-48416-02	239-48416-02
3 Piezo Ignitor	239-47954-00	239-47954-00	239-47954-00	239-47954-00
4 Valve Body	239-47853-00	239-47853-00	239-47853-00	239-47853-00
5 Insertion Stick	239-47854-01	239-47854-02	239-47854-01	239-47854-02
6 Cover-Rear	239-47855-01	239-47855-02	239-47855-01	239-47855-02



Item Description	222-47465-01	222-47465-02	222-47466-01	222-47466-02
	1" Cavity 160 °F Natural	2" Cavity 160 °F Natural	1" Cavity 180 °F Natural	2" Cavity 180 °F Natural
1 Screw-8 x 3/4 PHCR	239-49699-00	239-49699-00	239-49699-00	239-49699-00
2 Cover-Gas Control	239-48416-01	239-48416-01	239-48416-02	239-48416-02
3 Piezo Ignitor	239-47954-00	239-47954-00	239-47954-00	239-47954-00
4 Valve Body	239-47859-00	239-47859-00	239-47859-00	239-47859-00
5 Insertion Stick	239-47854-01	239-47854-02	239-47854-01	239-47854-02
6 Cover-Rear	239-47860-01	239-47860-02	239-47860-01	239-47860-02



BRADFORD WHITE®

W A T E R H E A T E R S

Ambler, PA

For U.S. and Canada field service,
contact your professional installer or
local Bradford White sales representative.

Sales/800-523-2931

Fax/215-641-1670

Parts Fax/215-641-2180

Technical Support/800-334-3393

Fax/269-795-1089

Warranty/800-531-2111

Fax/269-795-1089

International:

Telephone/215-641-9400

Telefax/215-641-9750



BRADFORD WHITE™

W A T E R H E A T E R S

Halton Hills, Ontario, Canada

Sales & Technical Support/866-690-0961

905-203-0600

Fax/905-636-0666

Email

parts@bradfordwhite.com

techserv@bradfordwhite.com

www.bradfordwhite.com