



**BRADFORD WHITE**<sup>®</sup>  
W A T E R   H E A T E R S

**RESIDENTIAL & LIGHT DUTY COMMERCIAL GAS  
REPLACEMENT PARTS LIST  
ULTRA LOW NO<sub>x</sub> “UDH1, UDH” Series**



**Models Covered:**  
UDH(50,65)T45FR\*N  
UDH75T50FR\*N  
UDH1504T\*FRN  
UDH165T\*FRN  
UDH175S\*FRN

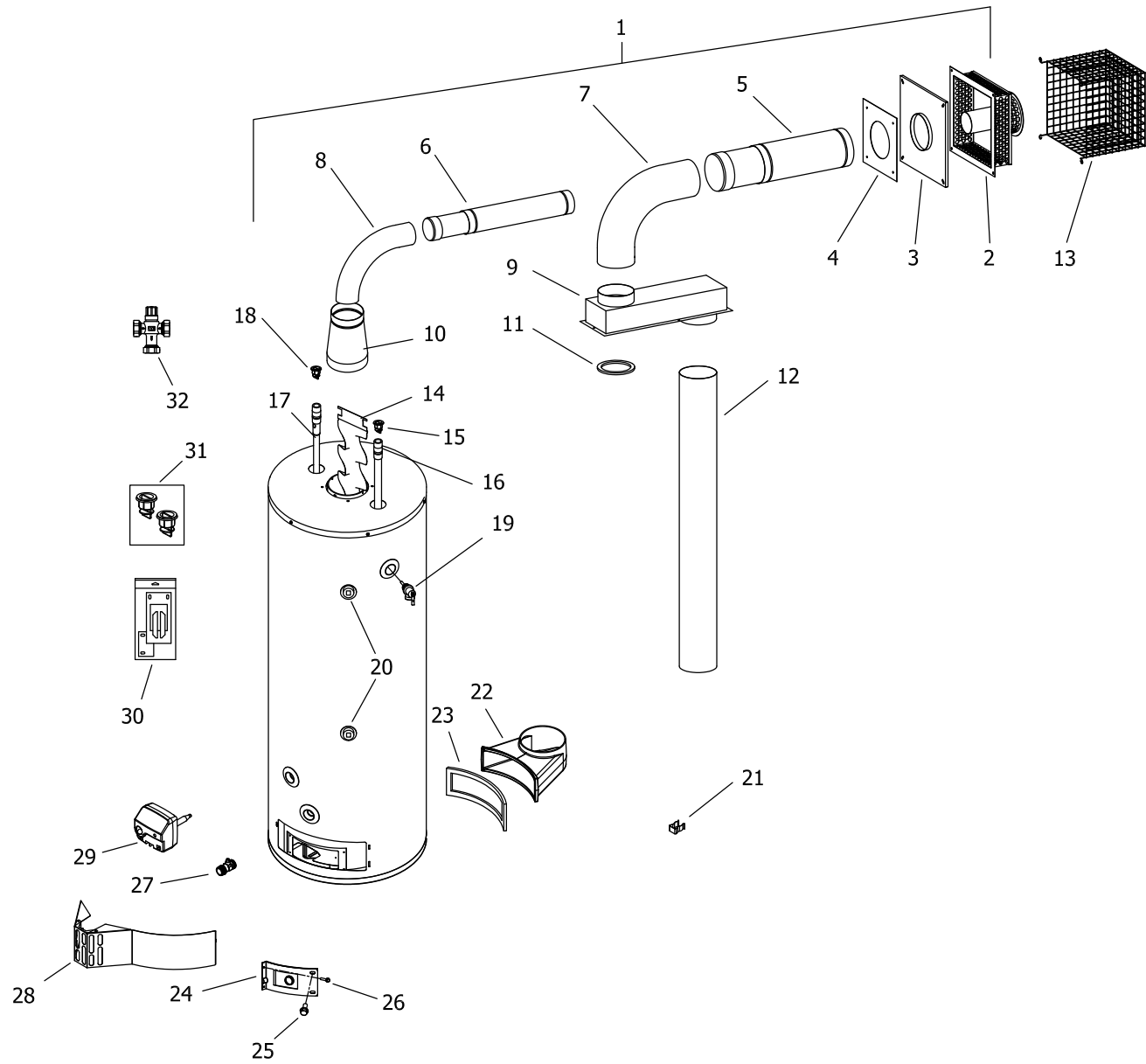
***Effective: October, 2024  
ECO 8780***

**NOTE: BOTH MODEL AND SERIAL  
NUMBERS ARE REQUIRED FOR  
ORDERING REPLACEMENT PARTS**

Dimensions and specifications  
subject to change without notice.

**WARNING**  
CANCER AND REPRODUCTIVE HARM  
[WWW.P65WARNINGS.CA.GOV](http://WWW.P65WARNINGS.CA.GOV)

As required by the state of California Proposition 65.



Item	Description	Model UDH50T45FR*N (-ONLY,-FLEX,-SOLID)	Model UDH65T45FR*N (-ONLY,-FLEX,-SOLID)	Model UDH75T50FR*N (-ONLY,-FLEX,-SOLID)	Model UDH1504T*FRN (-ONLY,-FLEX,-SOLID)
1	Aluminum (Solid)†	415-48914-00	415-48914-00	415-48914-00	415-48914-00
	Aluminum (Flexible)†	415-48915-00	415-48915-00	415-48915-00	415-48915-00
	Vent package White (Solid)	239-45412-00	239-45412-00	239-45412-00	239-45412-00
2	Direct Vent-Air Intake Terminal (Aluminum)(Flexible & Solid)†	239-42274-00	239-42274-00	239-42274-00	239-42274-00
	Direct Vent-Air Intake Terminal (Brown)(Flexible & Solid)	239-42832-00	239-42832-00	239-42832-00	239-42832-00
	Direct Vent-Air Intake Terminal (White)(Flexible & Solid)	239-45413-00	239-45413-00	239-45413-00	239-45413-00
3	Outer Wall Mounting Plate (Aluminum)(Flexible & Solid)†	239-42447-00	239-42447-00	239-42447-00	239-42447-00
	Outer Wall Mounting Plate (Brown)(Flexible & Solid)	239-42833-00	239-42833-00	239-42833-00	239-42833-00
	Outer Wall Mounting Plate (White)(Flexible & Solid)	239-45414-00	239-45414-00	239-45414-00	239-45414-00
4	Backing Plate	239-42449-00	239-42449-00	239-42449-00	239-42449-00
5	Six inch Diameter Telescopic Air Intake Tube (Solid Only)	239-42459-00	239-42459-00	239-42459-00	239-42459-00
6	Four inch Diameter Telescopic Vent Tube (Solid Only)	239-42460-00	239-42460-00	239-42460-00	239-42460-00
7	Six inch Diameter Elbow (Solid Only)	239-42067-00	239-42067-00	239-42067-00	239-42067-00
8	Four inch Diameter Elbow (Solid Only)	239-42068-00	239-42068-00	239-42068-00	239-42068-00
9	Plenum	239-47668-01	239-47668-02	239-47668-03	239-47668-01
10	Flue Reducer	239-42066-00	239-42066-00	239-42066-00	239-42066-00
11	Plenum Gasket	239-41070-02	239-41070-02	239-41070-02	239-41070-02
12	Air Intake Tube	239-50099-02	239-50099-03	239-50099-02	239-50099-02
13	Direct Vent-Air Intake Terminal Guard (Optional)	415-41453-00	415-41453-00	415-41453-00	415-41453-00
14	Flue Baffle	243-47510-00	243-44650-00	243-47509-00	243-47510-00
15	Heat Trap Insert (Inlet)	415-45073-00	415-45073-00	415-45073-00	415-45073-00
16	Cold Water Inlet Dip Tube Polypropylene ▲▲	229-39625-20	229-39625-19	229-39625-19	229-39625-18
	Polysulfone (NC Code) ▲▲	229-39628-20	229-39628-19	229-39628-19	229-39628-18
17	Hot Water Outlet Anode Magnesium ▲	415-55482-00	415-55482-00	415-55482-00	415-55482-00
	Aluminum ▲	415-55484-00	415-55484-00	415-55484-00	415-55484-00
	A420 Aluminum ▲#	415-55486-00	415-55486-00	415-55486-00	415-55486-00
18	Heat Trap Insert (Outlet)	415-45167-00	415-45167-00	415-45167-00	415-45167-00
19	T&P Relief Valve	415-32920-01	415-32920-01	415-32920-01	415-32920-01
20	3/4 NPT Plug	239-11638-00	239-11638-00	239-11638-00	239-11638-00
21	Feedline spring clip	239-47475-00	239-47475-00	239-47475-00	239-47475-00
22	Air Intake Boot	239-47771-18	239-47771-20	239-47771-22	239-47771-18
23	Air Intake Boot Gasket	239-47817-00	239-47817-00	239-47817-00	239-47817-00
24	Right Side Inner Door	239-48216-18	239-48216-20	239-48216-22	239-48216-18
25	Screw-#10-12 x 3/4 HWH	239-44113-00	239-44113-00	239-44113-00	239-44113-00
26	Screw-#8-18 x 3/4 HWH	239-44195-00	239-44195-00	239-44195-00	239-44195-00
27	Brass Drain Valve	415-42351-02	415-42351-02	415-42351-02	415-42351-02
28	Outer Door	239-46209-00	239-46209-00	239-46209-00	239-46209-00
29	Gas Control Kit Direct Replacement Natural Gas	265-48799-01	265-48799-01	265-48799-01	239-49841-01
30	Inner Door Gasket Kit	239-49597-00	239-49597-00	239-49597-00	239-49597-00
31	Heat Trap Insert Kit	265-45420-00	265-45420-00	265-45420-00	265-45420-00
32	ASSE Approved Mixing Valve (Optional)	239-43740-01	239-43740-01	239-43740-01	239-43740-01

\*Applies to all warranties

\*\*Inner door gasket kit recommended

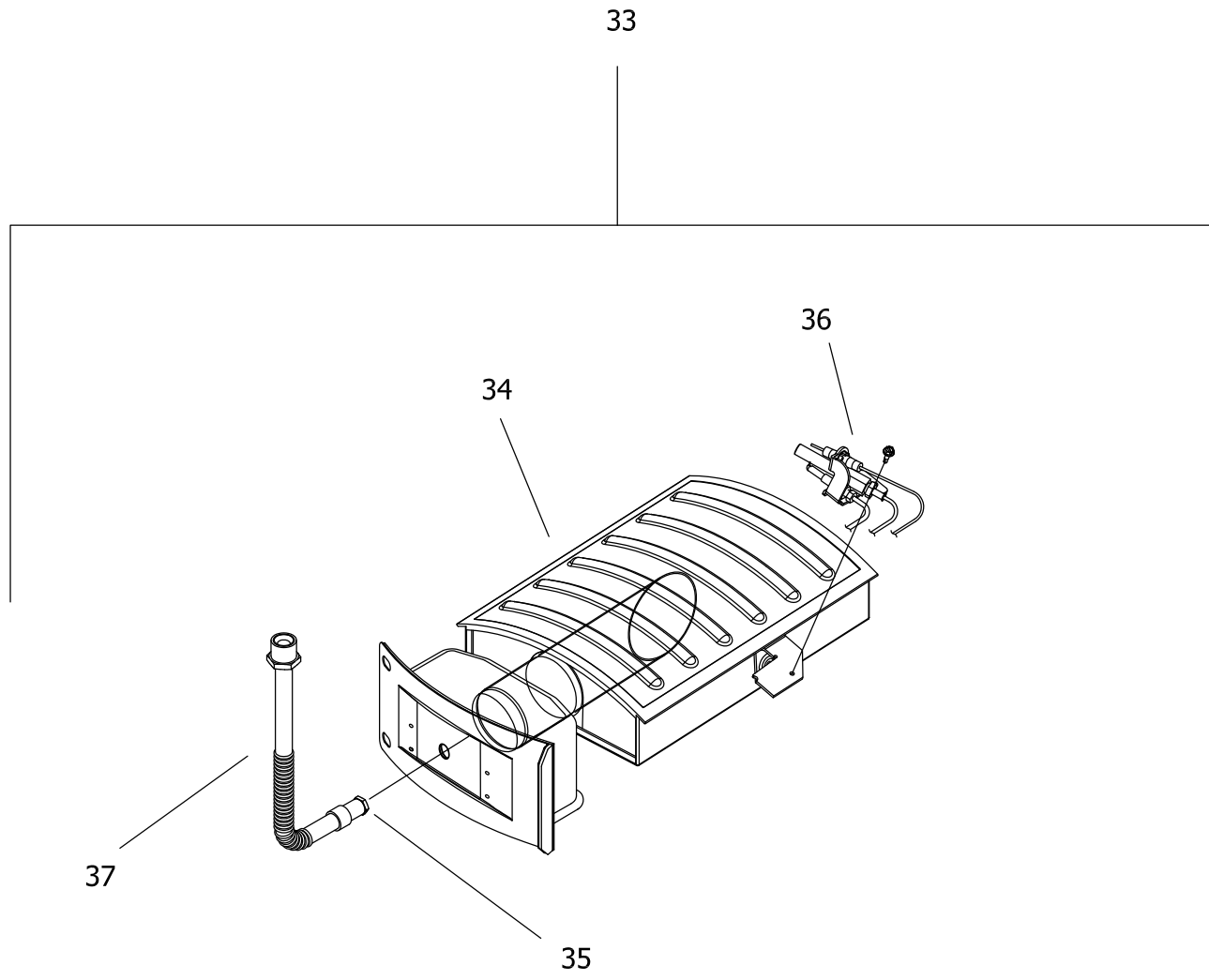
\*\*\*Ordering a complete burner assembly may increase delivery time. Please order the specific component required for the quickest delivery.

†Aluminum vent kits are standard

▲ Order with item 18

▲▲ Order with item 15

# A420 Anode may need to be cut to length



NATURAL GAS (BN) BURNER ASSEMBLY

Item	Description	Model UDH50T45FR*N (-ONLY,-FLEX,-SOLID)	Model UDH65T45FR*N (-ONLY,-FLEX,-SOLID)	Model UDH75T50FR*N (-ONLY,-FLEX,-SOLID)	Model UDH150T*FRN (-ONLY,-FLEX,-SOLID)
<b>Natural Gas BN Burner Assembly</b>					
33	Nat. Gas Burner Assembly Complete***	265-48800-05-34	265-48800-03-34	265-48800-03-30	265-48800-05-34
	Nat. Gas Burner High Altitude 2,001 to 5,000 Ft. Assembly Complete***	265-48800-05-36	265-48800-03-36	265-48800-03-31	265-48800-05-36
34	Nat. Gas BN Burner**	228-48691-19	228-48691-22	228-48691-22	228-48691-19
35	Nat. Gas Main Burner Orifice**	234-18194-34	234-18194-34	234-18194-30	234-18194-34
	Nat. Gas High Altitude 2001 Ft. to 5000 Ft.**	234-18194-36	234-18194-36	234-18194-31	234-18194-36
	Nat. Gas High Altitude 5001 Ft. to 8000 Ft.**	234-18194-38	234-18194-38	234-18194-31	234-18194-38
36	Pilot assembly**	233-48720-03	233-48720-04	233-48720-04	233-48720-03
37	Universal Flex feedline**	233-49006-01	233-49006-01	233-49006-01	233-49006-01

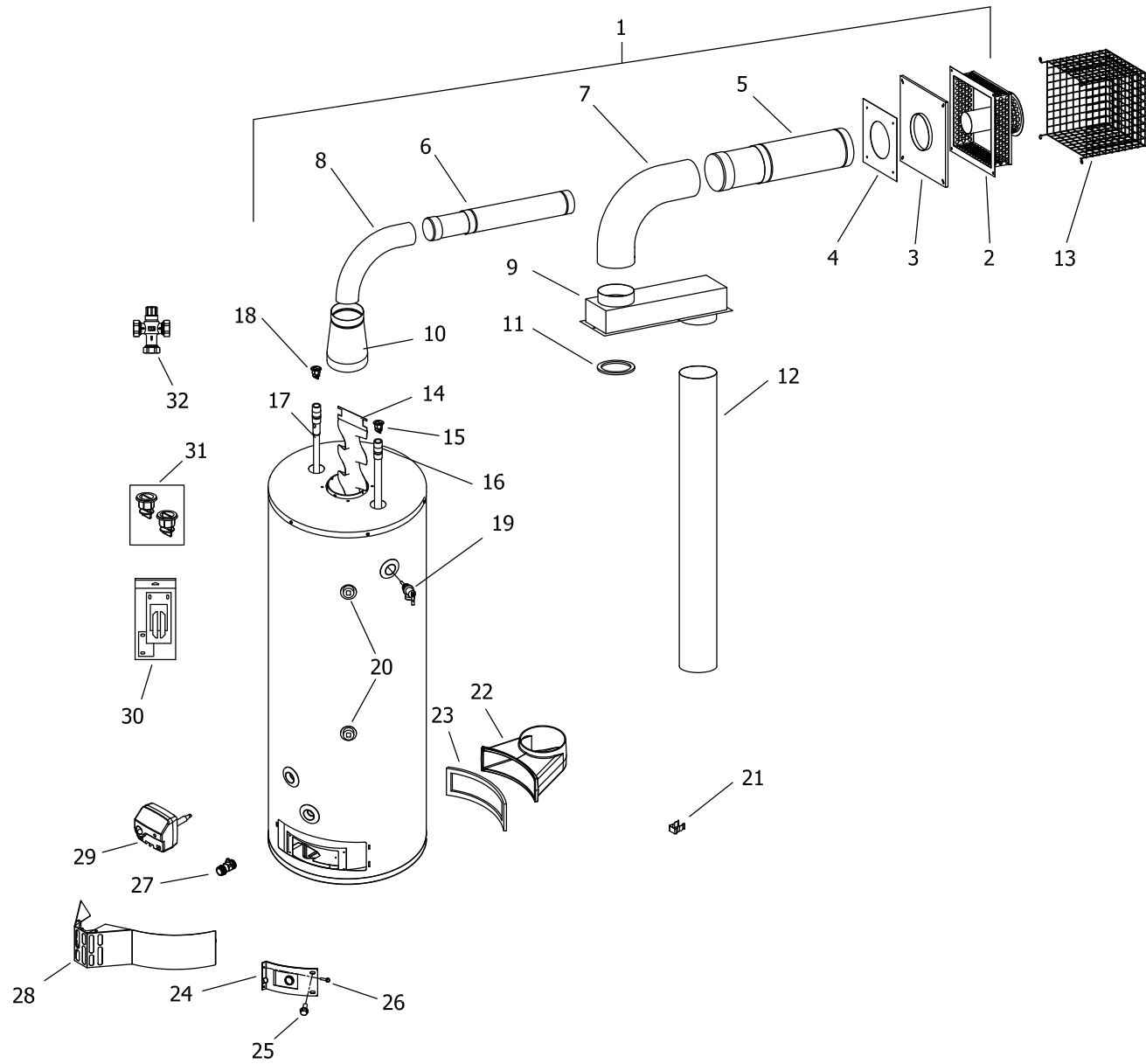
\*Applies to all warranties

\*\*Inner door gasket kit recommended

\*\*\*Ordering a complete burner assembly may increase delivery time. Please order the specific component required for the quickest delivery.

▲ Order with item 18

▲▲ Order with item 15



Item	Description	Model	Model
		UDH165T*FRN (-ONLY,-FLEX,-SOLID)	UDH175S*FRN (-ONLY,-FLEX,-SOLID)
1	Aluminum (Solid)†	415-48914-00	415-48914-00
	Aluminum (Flexible)†	415-48915-00	415-48915-00
	Vent package White (Solid)	239-45412-00	239-45412-00
2	Direct Vent-Air Intake Terminal (Aluminum)(Flexible & Solid)†	239-42274-00	239-42274-00
	Direct Vent-Air Intake Terminal (Brown)(Flexible & Solid)	239-42832-00	239-42832-00
	Direct Vent-Air Intake Terminal (White)(Flexible & Solid)	239-45413-00	239-45413-00
3	Outer Wall Mounting Plate (Aluminum)(Flexible & Solid)†	239-42447-00	239-42447-00
	Outer Wall Mounting Plate (Brown)(Flexible & Solid)	239-42833-00	239-42833-00
	Outer Wall Mounting Plate (White)(Flexible & Solid)	239-45414-00	239-45414-00
4	Backing Plate	239-42449-00	239-42449-00
5	Six inch Diameter Telescopic Air Intake Tube (Solid Only)	239-42459-00	239-42459-00
6	Four inch Diameter Telescopic Vent Tube (Solid Only)	239-42460-00	239-42460-00
7	Six inch Diameter Elbow (Solid Only)	239-42067-00	239-42067-00
8	Four inch Diameter Elbow (Solid Only)	239-42068-00	239-42068-00
9	Plenum	239-47668-02	239-47668-03
10	Flue Reducer	239-42066-00	239-42066-00
11	Plenum Gasket	239-41070-02	239-41070-02
12	Air Intake Tube	239-50099-03	239-50099-02
13	Direct Vent-Air Intake Terminal Guard (Optional)	415-41453-00	415-41453-00
14	Flue Baffle	243-44650-00	243-47509-00
15	Heat Trap Insert (Inlet)	415-45073-00	415-45073-00
16	Cold Water Inlet Dip Tube Polypropylene▲▲	229-39625-06	229-39625-06
	Polysulfone (NC Code)▲▲	229-39628-06	229-39628-06
17	Hot Water Outlet Anode Magnesium▲	415-55482-00	415-55482-00
	Aluminum▲	415-55484-00	415-55484-00
	A420 Aluminum▲#	415-55486-00	415-55486-00
18	Heat Trap Insert (Outlet)	415-45167-00	415-45167-00
19	T&P Relief Valve	415-32920-01	415-32920-01
20	3/4 NPT Plug	239-11638-00	239-11638-00
21	Feedline spring clip	239-47475-00	239-47475-00
22	Air Intake Boot	239-47771-20	239-47771-22
23	Air Intake Boot Gasket	239-47817-00	239-47817-00
24	Right Side Inner Door	239-48216-20	239-48216-22
25	Screw-#10-12 x 3/4 HWH	239-44113-00	239-44113-00
26	Screw-#8-18 x 3/4 HWH	239-44195-00	239-44195-00
27	Brass Drain Valve	415-42351-02	415-42351-02
28	Outer Door	239-46209-00	239-46209-00
29	Gas Control Kit Direct Replacement Natural Gas	239-49841-01	239-49841-01
30	Inner Door Gasket Kit	239-49597-00	239-49597-00
31	Heat Trap Insert Kit	265-45420-00	265-45420-00
32	ASSE Approved Mixing Valve (Optional)	239-43740-01	239-43740-01

\*Applies to all warranties

\*\*Inner door gasket kit recommended

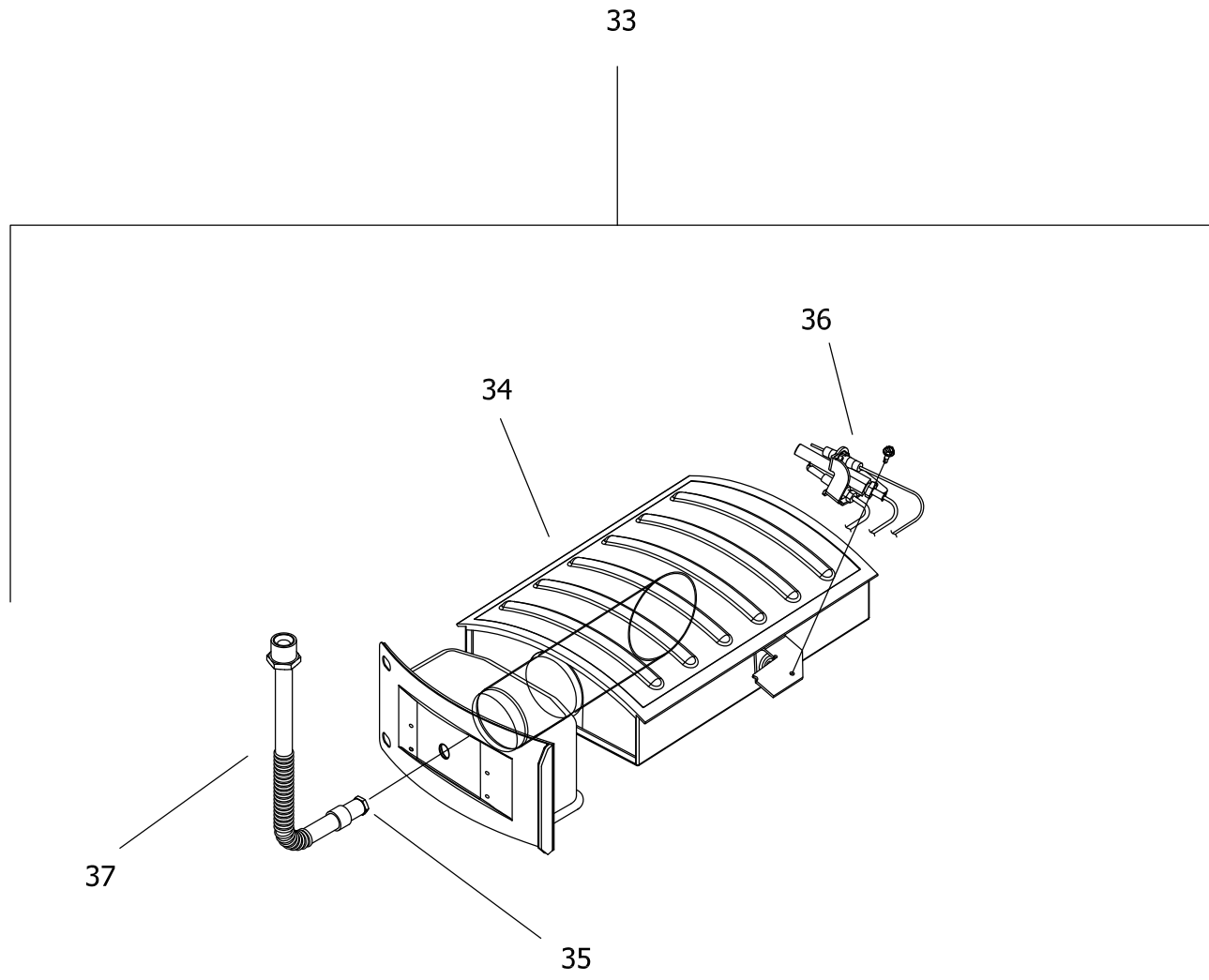
\*\*\*Ordering a complete burner assembly may increase delivery time. Please order the specific component required for the quickest delivery.

†Aluminum vent kits are standard

▲ Order with item 18

▲▲ Order with item 15

# A420 Anode may need to be cut to length



NATURAL GAS (BN) BURNER ASSEMBLY



Item	Description	Model	Model
		UDH165T*FRN (-ONLY,-FLEX,-SOLID)	UDH175S*FRN (-ONLY,-FLEX,-SOLID)
<b>Natural Gas BN Burner Assembly</b>			
33	Nat. Gas Burner Assembly Complete***	265-48800-03-34	265-48800-03-30
	Nat. Gas Burner High Altitude 2,001 to 5,000 Ft. Assembly Complete***	265-48800-03-36	265-48800-03-31
34	Nat. Gas BN Burner**	228-48691-22	228-48691-22
35	Nat. Gas Main Burner Orifice**	234-18194-34	234-18194-30
	Nat. Gas High Altitude 2001 Ft. to 5000 Ft.**	234-18194-36	234-18194-31
	Nat. Gas High Altitude 5001 Ft. to 8000 Ft.**	234-18194-38	234-18194-33
36	Pilot assembly**	233-48720-04	233-48720-04
37	Universal Flex feedline**	233-49006-01	233-49006-01

\*Applies to all warranties



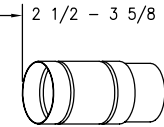
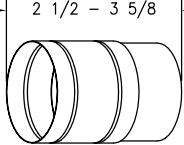


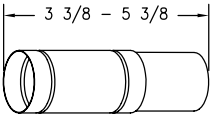
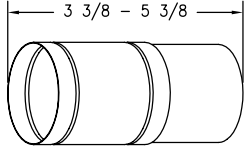

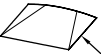
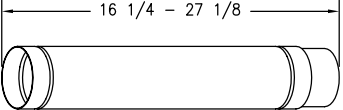
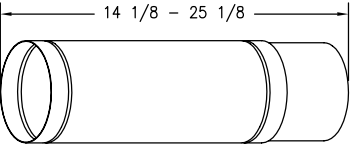

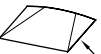
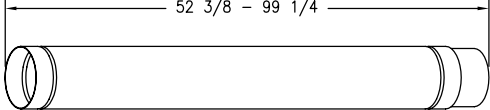
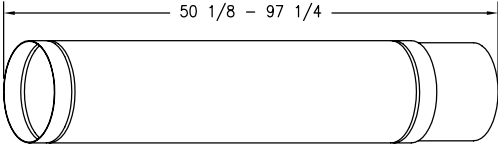
\*\*Inner door gasket kit recommended

\*\*\*Ordering a complete burner assembly may increase delivery time. Please order the specific component required for the quickest delivery.

▲ Order with item 18

▲▲ Order with item 15

# SOLID VENT KITS

 <p style="text-align: center;">SILICONE SEALANT</p>  <p style="text-align: center;">BAG OF MOUNTING HARDWARE</p> <div style="display: flex; justify-content: space-around; align-items: center;"> <div style="text-align: center;">  <p>2 1/2 - 3 5/8</p> </div> <div style="text-align: center;">  <p>2 1/2 - 3 5/8</p> </div> </div> <p style="text-align: center;"><b>DIRECT VENT-AIR INTAKE KIT F</b> PART NO. 239-42516-00 (OPTIONAL)</p>	 <p style="text-align: center;">SILICONE SEALANT</p>  <p style="text-align: center;">BAG OF MOUNTING HARDWARE</p> <div style="display: flex; justify-content: space-around; align-items: center;"> <div style="text-align: center;">  <p>3 3/8 - 5 3/8</p> </div> <div style="text-align: center;">  <p>3 3/8 - 5 3/8</p> </div> </div> <p style="text-align: center;"><b>DIRECT VENT-AIR INTAKE KIT G</b> PART NO. 239-42517-00 (OPTIONAL)</p>
 <p style="text-align: center;">SILICONE SEALANT</p>  <p style="text-align: center;">BAG OF MOUNTING HARDWARE</p> <div style="display: flex; justify-content: space-around; align-items: center;"> <div style="text-align: center;">  <p>16 1/4 - 27 1/8</p> </div> </div> <div style="display: flex; justify-content: space-around; align-items: center; margin-top: 10px;"> <div style="text-align: center;">  <p>14 1/8 - 25 1/8</p> </div> </div> <p style="text-align: center;"><b>DIRECT VENT-AIR INTAKE KIT H</b> PART NO. 239-42514-00 (OPTIONAL) ABOVE TUBE LENGTHS SUPPLIED WITH HEATER</p>	 <p style="text-align: center;">SILICONE SEALANT</p>  <p style="text-align: center;">BAG OF MOUNTING HARDWARE</p> <div style="display: flex; justify-content: space-around; align-items: center;"> <div style="text-align: center;">  <p>52 3/8 - 99 1/4</p> </div> </div> <div style="display: flex; justify-content: space-around; align-items: center; margin-top: 10px;"> <div style="text-align: center;">  <p>50 1/8 - 97 1/4</p> </div> </div> <p style="text-align: center;"><b>DIRECT VENT-AIR INTAKE KIT I</b> PART NO. 239-42512-00 (OPTIONAL)</p>



## United States

---

**Sales** 1-800-523-2931  
**Technical Support** 1-800-334-3393  
**Email** [techsupport@bradfordwhite.com](mailto:techsupport@bradfordwhite.com)  
**Warranty** 1-800-531-2111  
**Email** [warranty@bradfordwhite.com](mailto:warranty@bradfordwhite.com)  
**Service Parts** 1-800-538-2020  
**Email** [parts@bradfordwhite.com](mailto:parts@bradfordwhite.com)

## Canada

---

**Sales** 1-866-690-0961 1-905-203-0600  
**Fax** 905-636-0666  
**Warranty** 1-800-531-2111  
**Email** [warranty@bradfordwhite.com](mailto:warranty@bradfordwhite.com)  
**Technical Support** 1-800-334-3393  
**Email** [techsupport@bradfordwhite.com](mailto:techsupport@bradfordwhite.com)  
**Service Parts and Orders** [ca.orders@bradfordwhite.com](mailto:ca.orders@bradfordwhite.com)

For U.S. and Canada field service, contact your professional installer or local Bradford White sales representative.

## International

---

**General Contact** [international@bradfordwhite.com](mailto:international@bradfordwhite.com)