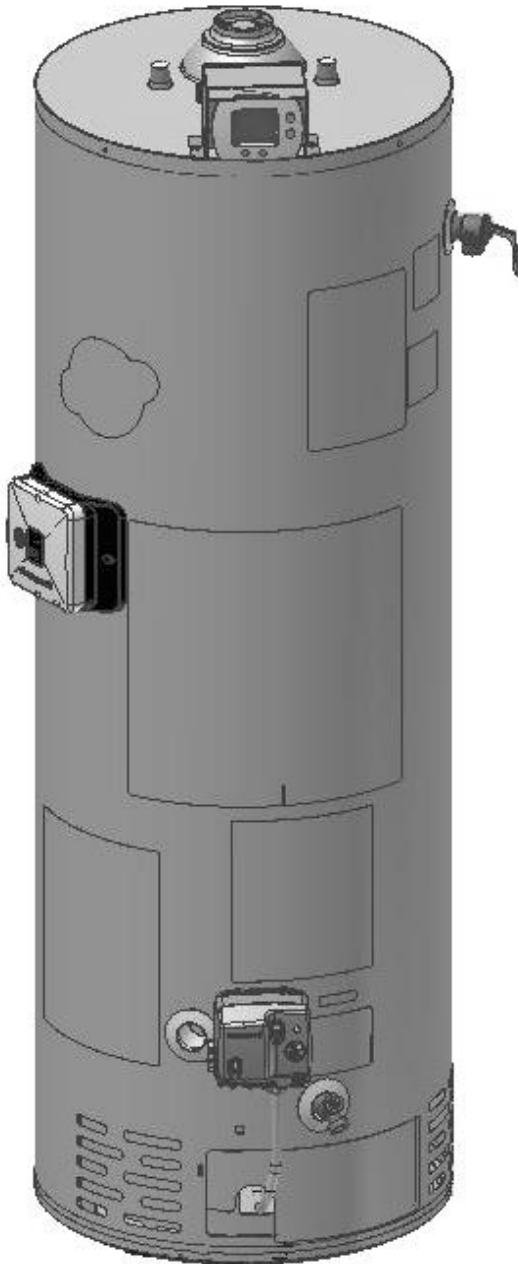




RESIDENTIAL PROGRAMMABLE EFFICIENCY REPLACEMENT PARTS LIST

“PE” Models



Models Covered:
PE2XR504T*(BN,SX)
PE4403S*(BN,SX)
PE440T*(BN,SX)
PE4503*(BN,SX)
*Denotes warranty year

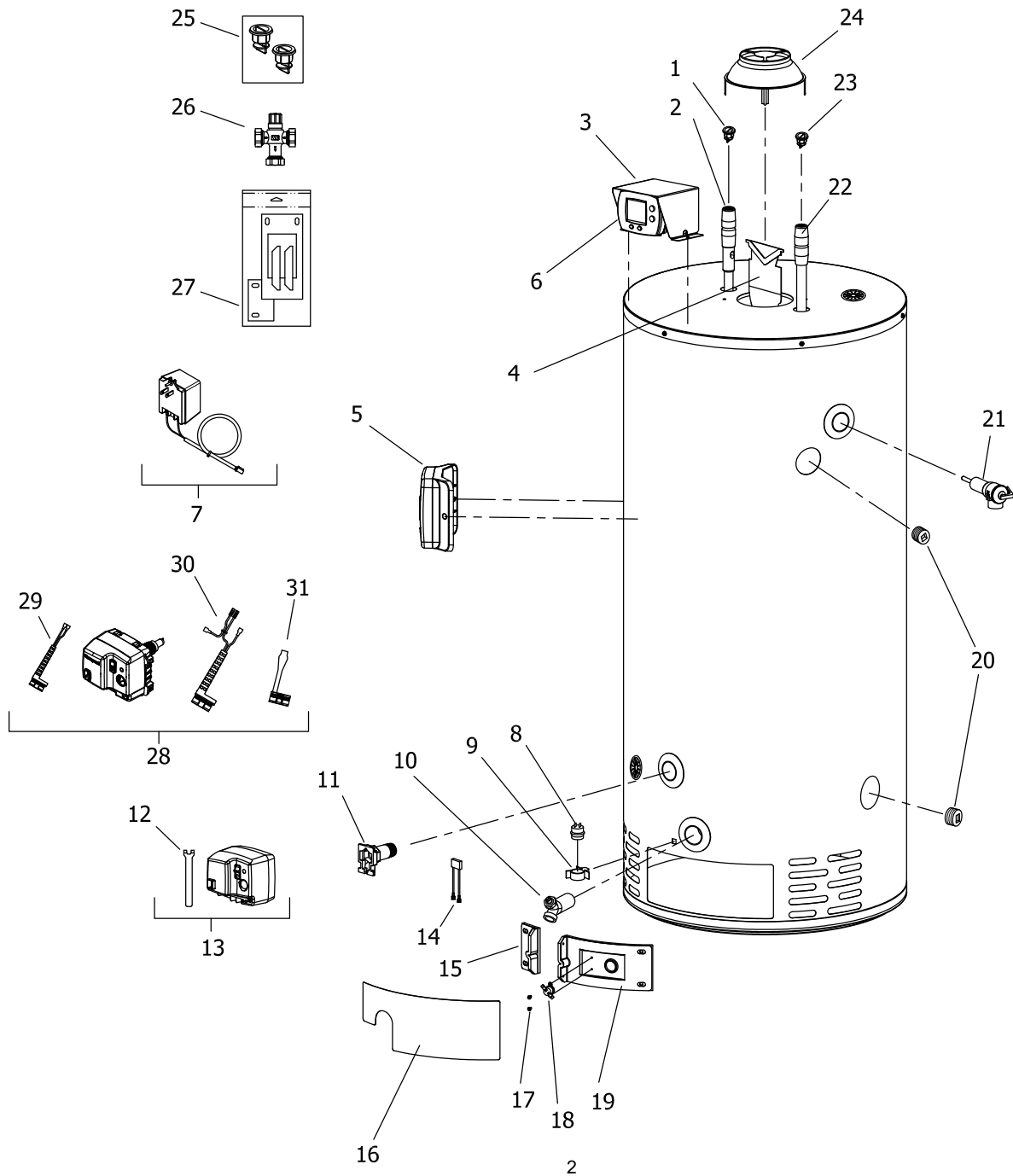
Effective: October, 2024
ECO 8780

**NOTE: BOTH MODEL AND SERIAL
NUMBERS ARE REQUIRED FOR
ORDERING REPLACEMENT PARTS**

Dimensions and specifications
subject to change without notice.



As required by the state of California Proposition 65.



Item	Description	Model	Model	Model	Model
		PE2XR504T*(BN,SX)	PE4403S*(BN,SX)	PE440T*(BN,SX)	PE4503*(BN,SX)
1	Heat Trap Insert (Outlet)	415-45167-00	415-45167-00	415-45167-00	415-45167-00
2	Hot Water Outlet Anode Magnesium ▲#	415-55482-00	415-55482-00	415-55482-00	415-55482-00
	Aluminum ▲#	415-55484-00	415-55484-00	415-55484-00	415-55484-00
	A420 Aluminum ▲#	415-55486-00	415-55486-00	415-55486-00	415-55486-00
3	Setback Junction Box Assembly	239-47649-00	239-47649-00	239-47649-00	239-47649-00
4	Baffle Assembly	243-41037-00	243-45223-00	239-50065-03	243-44705-00
5	Setback Control Display	239-47640-00	239-47640-00	239-47640-00	239-47640-00
6	Flammable Vapor Sensor	415-45560-00	415-45560-00	415-45560-00	415-45560-00
7	Flammable Vapor Sensor Clip	239-45648-00	239-45648-00	239-45648-00	239-45648-00
8	Brass Drain Valve	415-42351-02	415-42351-02	415-42351-02	415-42351-02
9	Thermal Well	233-45651-02	233-45651-02	233-45651-02	233-45651-02
10	Gas Control Service Tool♦	239-45991-00	239-45991-00	239-45991-00	239-45991-00
11	Gas Control (Natural Gas)♦	415-45613-01	415-45613-01	415-45613-01	415-45613-01
	Gas Control (LP Gas)♦	415-45614-01	415-45614-01	415-45614-01	415-45614-01
12	Sensor Harness	239-45620-00	239-45620-00	239-45620-00	239-45620-00
13	Left Side Inner Door	239-43968-18	239-43968-18	239-43968-16	239-43968-18
14	Outer Door	243-43962-00	243-43962-00	243-43962-00	243-43962-00
15	Screw-#8-32 X .50 Semi-Gimlet	239-36860-00	239-36860-00	239-36860-00	239-36860-00
16	Switch-Thermal Re-settable	415-43676-02	415-43676-02	415-43676-03	415-43676-02
17	Right Side Inner Door (Sight Glass)	239-43963-07	239-43963-07	239-43963-05	239-43963-07
18	Pipe Plug-3/4" NPT Sq. Socket	239-11638-00	239-11638-00	239-11638-00	239-11638-00
19	T&P Relief Valve	415-40594-02	415-40594-02	415-40594-02	415-40594-02
20	Cold Water Inlet Dip Tube PEX▲▲	415-51230-15	229-51230-03	415-51230-21	415-51230-18
21	Heat Trap Insert (Inlet)	415-51556-00	415-45073-00	415-45073-00	415-45073-00
22	Draft Diverter	243-33081-02-20	243-45787-00	243-45787-00	243-45787-00
23	Kit-Heat Trap Insert	265-51572-00	265-51572-00	265-51572-00	265-51572-00
24	ASSE Approved Mixing Valve (Optional)	239-51778-00	239-51778-00	239-51778-00	239-51778-00
25	Inner Door Gasket Kit	239-44078-00	239-44078-00	239-44078-00	239-44078-00
26	Gas Valve Natural Gas♦♦	239-48795-02	239-48795-02	239-48795-02	239-48795-02
	Gas Valve LP Gas♦♦	239-48796-02	239-48796-02	239-48796-02	239-48796-02
27	Flammable Vapor Sensor Harness♦♦	239-49791-00	239-49791-00	239-49791-00	239-49791-00
28	FV Sensor and Thermal Switch Harness♦♦	239-50066-00	239-50066-00	239-50066-00	239-50066-00
29	Simulated Resistive Device Harness♦♦	239-49817-00	239-49817-00	239-49817-00	239-49817-00

* Applies to all warranties

** Inner door gasket kit recommended

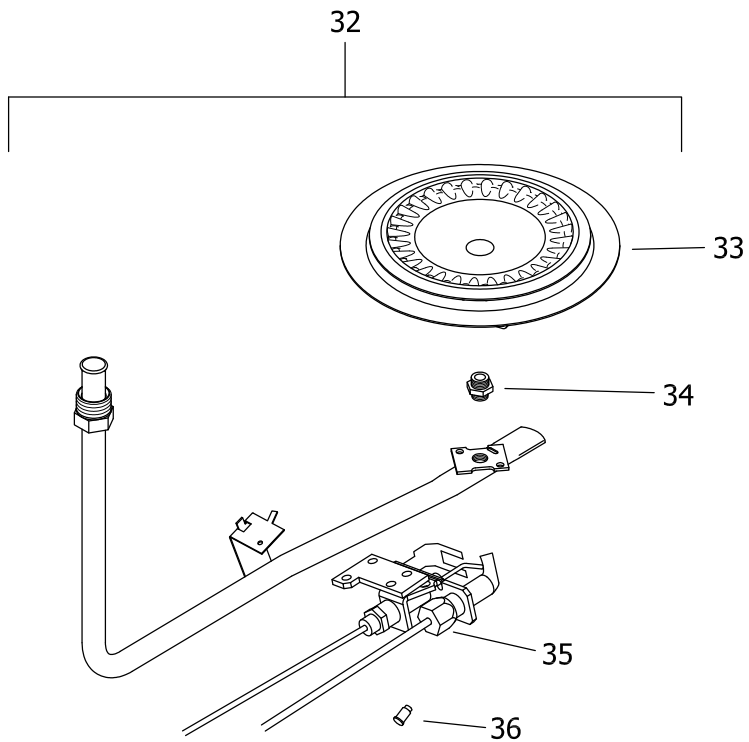
*** Ordering a complete burner assembly may increase delivery time. Please order the specific component required for the quickest delivery.

Anode may need to be cut to length

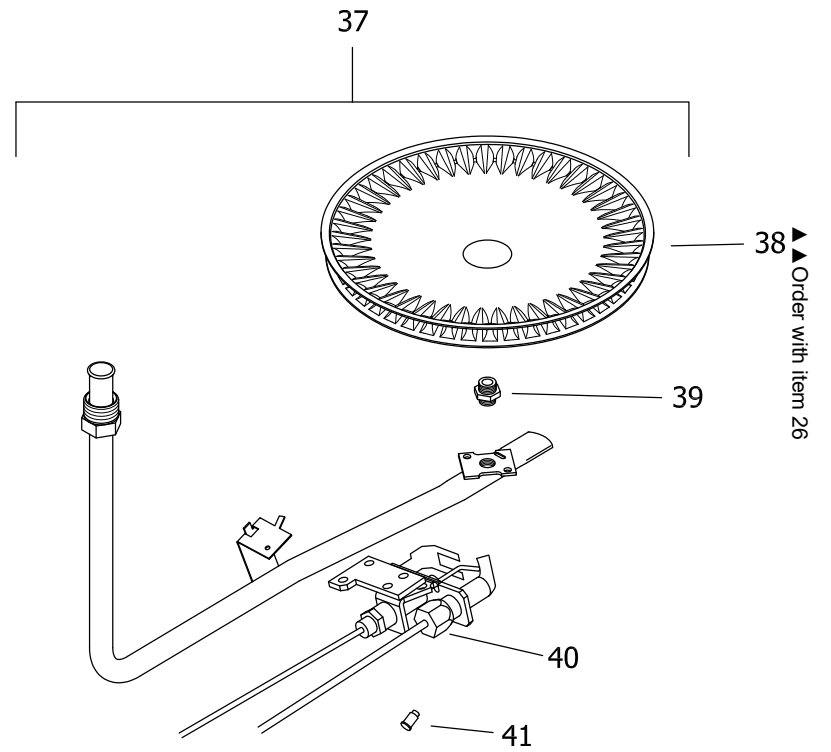
▲ Order with item 1

♦ For serial numbers beginning with "JM" or sooner

♦♦ For serial numbers beginning with "KA" or later



NATURAL GAS (BN)
BURNER ASSEMBLY



LP GAS (SX)
BURNER ASSEMBLY

Item	Description	Model	Model	Model	Model
		PE2XR504T*(BN,SX)	PE4403S*(BN,SX)	PE440T*(BN,SX)	PE4503*(BN,SX)
Natural Gas (BN) Burner Assembly					
30	Nat. Gas (BN) Burner Assembly Complete***	265-47439-06-27	265-47439-06-32	265-47439-16-32	265-47439-06-32
31	Nat. Gas (BN) Burner**	228-42506-00	228-42506-00	228-42506-00	228-42506-00
32	Nat. Gas (BN) Main Burner Orifice**	234-41034-27	234-41034-32	234-41034-32	234-41034-32
	Nat. Gas (BN) High Altitude 2001 Ft. to 5000 Ft.**	234-41034-29	234-41034-36	234-41034-36	234-41034-36
	Nat. Gas (BN) High Altitude 5001 Ft. to 8000 Ft.**	234-41034-30	234-41034-36	234-41034-36	234-41034-36
	Nat. Gas (BN) High Altitude Over 8000 Ft.**	234-41034-30	234-41034-37	234-41034-37	234-41034-37
33	Nat. Gas Pilot Assembly**	233-45653-05	233-45653-05	233-45653-05	233-45653-05
34	Nat. Gas Pilot Orifice**	234-45869-01	234-45869-01	234-45869-01	234-45869-01
LP Gas (SX) Titanium Stabilized Stainless Steel Burner Assembly					
35	LP Gas (SX) Burner Assembly Complete***	265-47440-10-43	265-47440-09-50	265-47440-25-50	265-47440-09-51
36	LP Gas (SX) Burner**	228-47000-00	228-46964-00	228-46964-00	228-46964-00
37	LP Gas (SX) Main Burner Orifice**	234-47064-43	234-47064-50	234-47064-50	234-47064-51
	LP Gas (SX) High Altitude 2001 Ft. to 5000 Ft.**	234-47064-44	234-47064-51	234-47064-51	234-47064-52
	LP Gas (SX) High Altitude 5001 Ft. to 8000 Ft.**	234-47064-46	234-47064-52	234-47064-52	234-47064-53
	LP Gas (SX) High Altitude Over 8000 Ft.**	234-47064-47	234-47064-53	234-47064-53	234-47064-54
38	LP Gas Pilot Assembly**	233-45653-04	233-45653-04	233-45653-04	233-45653-04
39	LP Gas Pilot Orifice**	234-45869-02	234-45869-02	234-45869-02	234-45869-02
-	LP to Natural Gas Conversion Kit (Norm Alt.)	265-46493-67	265-46493-68	265-46493-69	265-46493-70
-	LP to Natural Gas Conversion Kit (High Alt.)	265-46493-71	265-46493-72	265-46493-73	265-46493-74

* Applies to all warranties

** Inner door gasket kit recommended

*** Ordering a complete burner assembly may increase delivery time. Please order the specific component required for the quickest delivery.

A420 Anode may need to be cut to length

▲ Order with item 1

▲▲ Order with item 26



United States

Sales 1-800-523-2931
Technical Support 1-800-334-3393
Email techsupport@bradfordwhite.com
Warranty 1-800-531-2111
Email warranty@bradfordwhite.com
Service Parts 1-800-538-2020
Email parts@bradfordwhite.com

Canada

Sales 1-866-690-0961 1-905-203-0600
Fax 905-636-0666
Warranty 1-800-531-2111
Email warranty@bradfordwhite.com
Technical Support 1-800-334-3393
Email techsupport@bradfordwhite.com
Service Parts and Orders ca.orders@bradfordwhite.com

For U.S. and Canada field service, contact your professional installer or local Bradford White sales representative.

International

General Contact international@bradfordwhite.com