



**BRADFORD WHITE**<sup>®</sup>  
W A T E R   H E A T E R S

**RESIDENTIAL REPLACEMENT PARTS LIST UTW  
ECO DEFENDER  
U(1,2,4,4XR) TW & UTW Models**



**Models Covered:**  
**U1TW(40,50)S\*FRN**  
**U1TW60T\*FRN**  
**U2TW(50,65)T\*FRN**  
**UTW(450,465)S60FR\*N**  
**U4TW(40,50,60)T\*FRN**  
**U4XRTW(50,65)T\*FRN**

Includes Hydrojet<sup>®</sup> Total  
Performance System

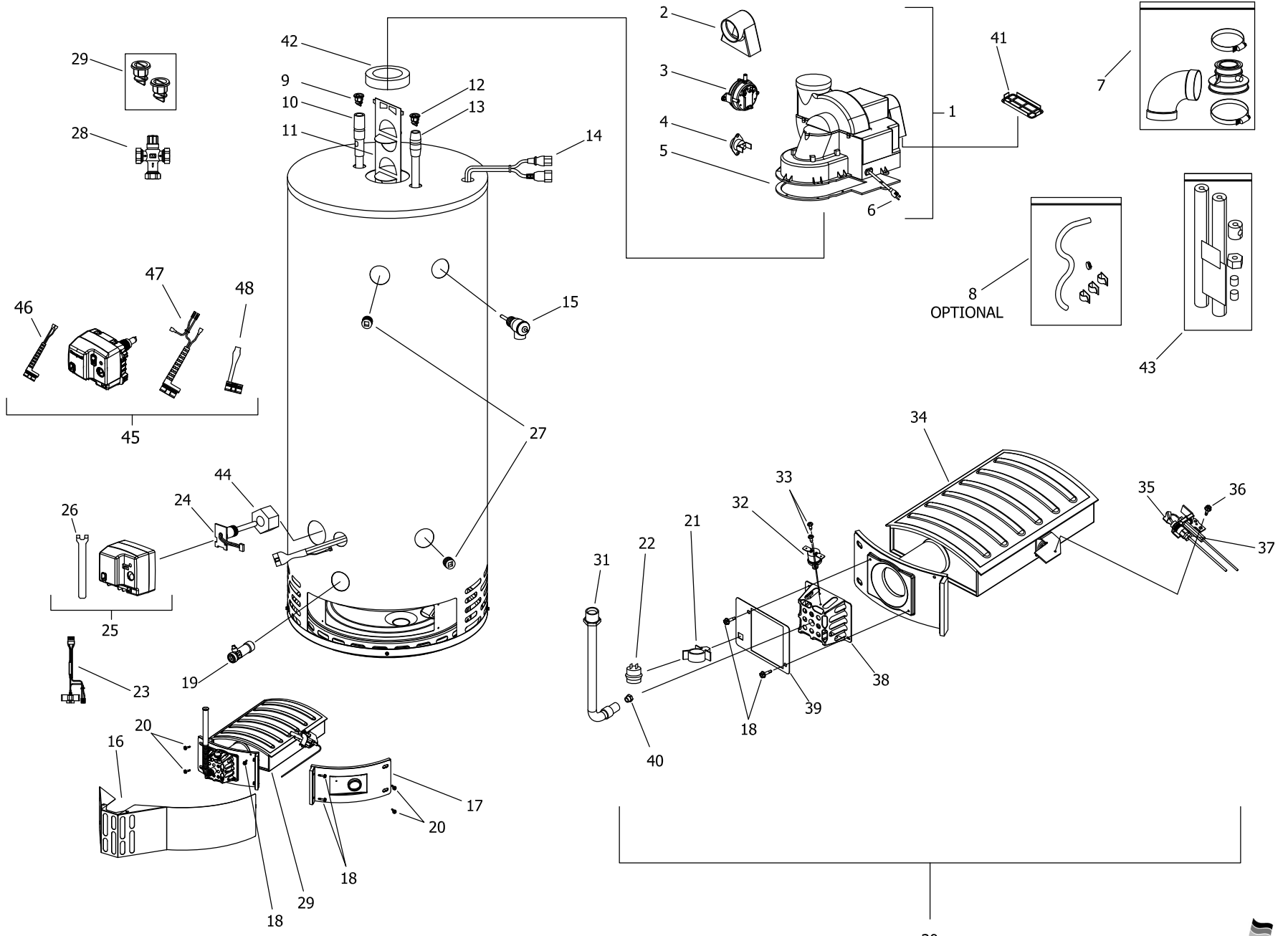
***Effective: October, 2024***  
***ECO 8780***

**NOTE: BOTH MODEL AND SERIAL  
NUMBERS ARE REQUIRED FOR  
ORDERING REPLACEMENT PARTS**

Dimensions and specifications  
subject to change without notice.

**WARNING**  
**CANCER AND REPRODUCTIVE HARM**  
**WWW.P65WARNINGS.CA.GOV**

As required by the state of California Proposition 65.



Item Description	Model	Model	Model	Model	Model	Model
	U1TW40S*FRN	U1TW50S*FRN	U1TW60T*FRN	U2TW50T*FRN	U2TW65T*FRN	UTW450S60FR*N
1 Blower Complete	415-45584-00	415-45584-00	415-45584-00	415-45583-00	239-45583-00	415-45583-00
Blower Complete High Altitude	243-45987-00	243-45987-00	243-45987-00	243-45986-00	243-45986-00	243-45986-00
2 Air Mixing Inlet	239-45868-00	239-45868-00	239-45868-00	239-45868-00	239-45868-00	239-45868-00
3 Pressure Switch	239-45867-01	239-45867-01	239-45867-01	239-45867-02	239-45867-02	239-45867-02
Pressure Switch High Altitude	239-45867-03	239-45867-03	239-45867-03	239-45867-04	239-45867-04	239-45867-04
4 Blower Temperature Switch	415-45865-00	415-45865-00	415-45865-00	415-45865-00	415-45865-00	415-45865-00
5 Blower Gasket	239-45866-00	239-45866-00	239-45866-00	239-45866-00	239-45866-00	239-45866-00
6 Blower Power Cord	239-45990-00	239-45990-00	239-45990-00	239-45990-00	239-45990-00	239-45990-00
7 2" Exhaust Adaptor w/Vent Terminal	239-46263-00	239-46263-00	239-46263-00	---	---	---
3" Exhaust Adaptor w/Vent Terminal	---	---	---	239-46264-00	239-46264-00	239-46264-00
8 Condensate Hose Kit (Optional)	415-45875-00	415-45875-00	415-45875-00	415-45875-00	415-45875-00	415-45875-00
9 Heat Trap Insert (Outlet)	415-45167-00	415-45167-00	415-45167-00	415-45167-00	415-45167-00	415-45167-00
10 Hot Water Outlet Anode Magnesium ▲	224-47776-09	415-47776-10	415-55482-00	415-55482-00	415-55482-00	415-55482-00
Hot Water Outlet Aluminum ▲ (Optional)	415-55484-00	415-55484-00	415-55484-00	415-55484-00	415-55484-00	415-55484-00
Hot Water Outlet A420 Aluminum#▲ (Optional)	415-55486-00	415-55486-00	415-55486-00	415-55486-00	415-55486-00	415-55486-00
11 Flue Baffle	243-45372-00	243-45372-00	243-46233-00	239-45373-00	239-45373-00	239-45373-00
12 Heat Trap Insert (Inlet)	415-45073-00	415-45073-00	415-45073-00	415-45073-00	415-45073-00	415-45073-00
13 Cold Water Inlet Dip Tube Polypropylene▲▲	229-39625-20	229-39625-20	229-39625-14	415-45398-01	415-45398-02	415-45398-01
Cold Water Inlet Polysulfone (NC Code)▲▲	229-39628-20	229-39628-20	229-39628-14	415-45092-01	229-45092-03	415-45092-01
14 Safety Circuit Wire Harness	239-45617-01	239-45617-01	239-45617-02	239-45617-02	239-45617-02	239-45617-02
15 T&P Relief Valve	415-32920-01	415-32920-01	415-32920-01	415-40594-02	415-40594-02	415-40594-02
16 Outer Door	239-46209-00	239-46209-00	239-46209-00	239-46209-00	239-46209-00	239-46209-00
17 Right Side Inner Door Complete	239-48216-18	239-48216-20	239-48216-20	239-48216-18	239-48216-20	239-48216-18
18 Screw #8-18 x 3/4 HWH	239-44195-00	239-44195-00	239-44195-00	239-44195-00	239-44195-00	239-44195-00
19 Brass Drain Valve	415-48070-01	415-48070-01	415-48070-01	415-48070-02	415-48070-02	415-48070-02
20 Screw #10-12 x 3/4 HWH	239-44113-00	239-44113-00	239-44113-00	239-44113-00	239-44113-00	239-44113-00
21 Flammable Vapor Sensor Clip	239-45648-00	239-45648-00	239-45648-00	239-45648-00	239-45648-00	239-45648-00
22 Flammable Vapor Sensor	239-45560-00	239-45560-00	239-45560-00	239-45560-00	239-45560-00	239-45560-00
23 Flammable Vapor Sensor Harness	239-45620-00	239-45620-00	239-45620-00	239-45620-00	239-45620-00	239-45620-00
24 Thermowell♦	233-45651-01	233-45651-01	233-45651-01	233-45651-02	233-45651-02	233-45651-02
25 Gas Valve Natural Gas♦	239-48174-01	239-48174-01	239-48174-01	239-48174-01	239-48174-01	239-48174-02
26 Gas Valve Service Tool♦	239-45991-00	239-45991-00	239-45991-00	239-45991-00	239-45991-00	239-45991-00

\*Applies to all warranties

\*\*Inner door gasket kit recommended

\*\*\*Ordering a complete burner assembly may increase delivery time. Please order the specific component required for the quickest delivery.

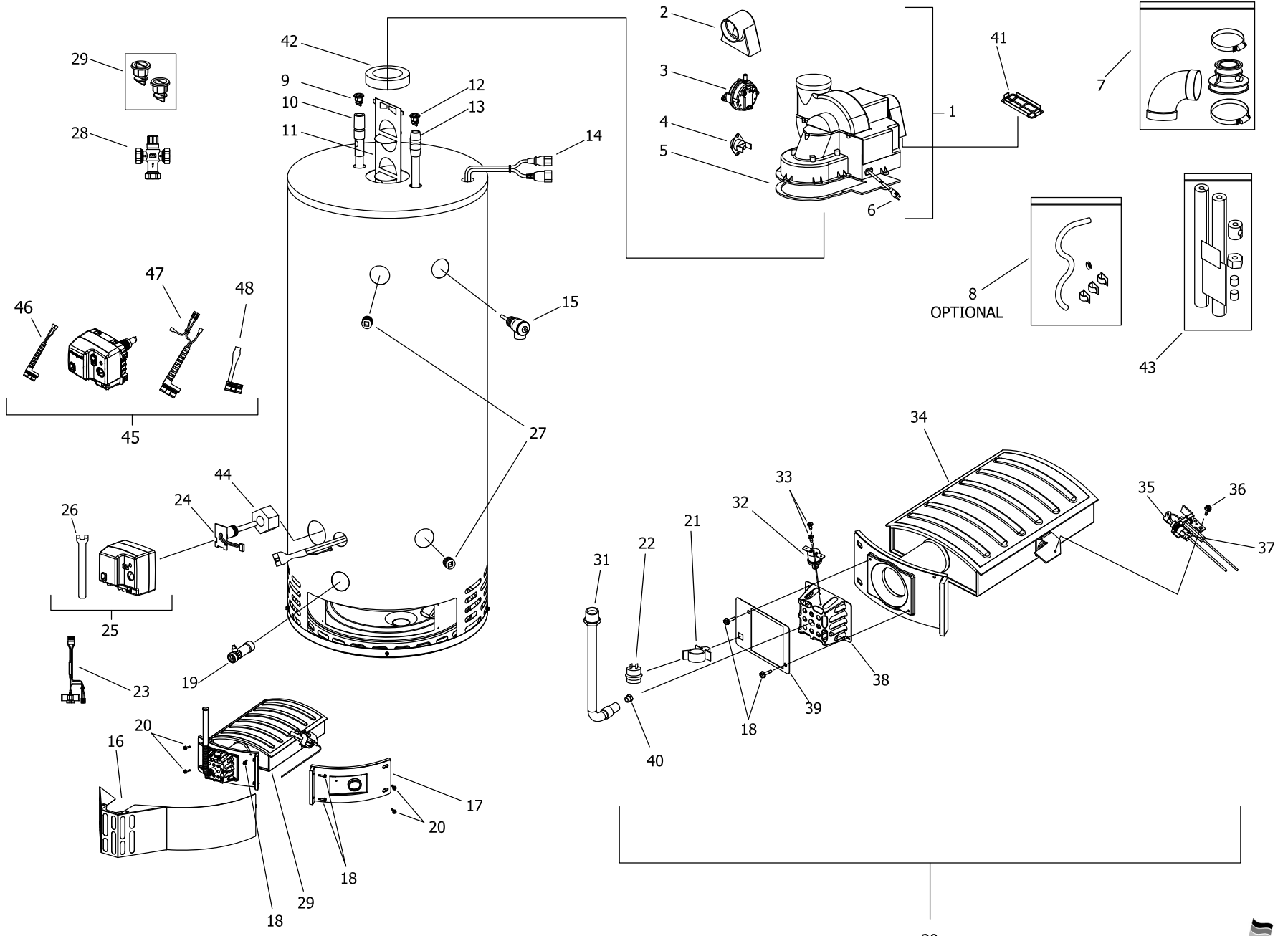
# A420 Anode may need to be cut to length

▲ Order with item 9

▲▲ Order with item 12

♦ For serial numbers beginning with "J" or sooner

♦♦ For serial numbers beginning with "K" or later



Item Description	Model	Model	Model	Model	Model	Model
	UTW465S60FR*N	U4TW40T*FRN	U4TW50T*FRN	U4TW60T*FRN	U4XRTW50T*FRN	U4XRTW65T*FRN
1 Blower Complete	239-45583-00	239-48685-00	239-48685-00	239-48685-00	265-48861-00	265-48861-00
Blower Complete High Altitude	243-45986-00	243-48686-00	243-48686-00	243-48686-00	243-49227-00	243-49227-00
2 Air Mixing Inlet	239-45868-00	239-45868-00	239-45868-00	239-45868-00	239-45868-00	239-45868-00
3 Pressure Switch	239-45867-02	415-47815-03	415-47815-03	415-47815-03	415-47815-01	415-47815-01
Pressure Switch High Altitude	239-45867-04	415-47815-04	415-47815-04	415-47815-04	239-45867-02	239-45867-02
4 Blower Temperature Switch	415-45865-00	415-45865-00	415-45865-00	415-45865-00	415-45865-00	415-45865-00
5 Blower Gasket	239-45866-00	239-45866-00	239-45866-00	239-45866-00	239-45866-00	239-45866-00
6 Blower Power Cord	239-45990-00	239-45990-00	239-45990-00	239-45990-00	239-45990-00	239-45990-00
7 2" Exhaust Adaptor w/Vent Terminal	---	239-46263-00	239-46263-00	239-46263-00	---	---
3" Exhaust Adaptor w/Vent Terminal	239-46264-00	---	---	---	239-46264-00	239-46264-00
8 Condensate Hose Kit (Optional)	415-45875-00	415-45875-00	415-45875-00	415-45875-00	415-45875-00	415-45875-00
9 Heat Trap Insert (Outlet)	415-45167-00	415-45167-00	415-45167-00	415-45167-00	415-45167-00	415-45167-00
10 Hot Water Outlet Anode Magnesium▲	415-55482-00	415-47776-17	415-47776-17	415-47776-17	415-55482-00	415-55482-00
Hot Water Outlet Aluminum▲ (Optional)	415-55484-00	415-32999-24	415-32999-24	415-32999-24	415-55484-00	415-55484-00
Hot Water Outlet A420 Aluminum#▲ (Optional)	415-55486-00	415-55486-00	415-55486-00	415-55486-00	415-55486-00	415-55486-00
11 Flue Baffle	239-45373-00	243-48689-00	243-48689-00	243-48689-00	239-45373-00	239-45373-00
12 Heat Trap Insert (Inlet)	415-45073-00	415-45073-00	415-45073-00	415-45073-00	415-45073-00	415-45073-00
13 Cold Water Inlet Dip Tube Polypropylene▲▲	415-45398-02	229-45398-09	229-45398-09	229-45398-09	415-45398-01	415-45398-02
Cold Water Inlet Polysulfone (NC Code)▲▲	229-45092-03	415-45092-06	415-45092-06	415-45092-06	415-45092-01	229-45092-03
14 Safety Circuit Wire Harness	239-45617-02	239-45617-02	239-45617-02	239-45617-02	239-45617-02	239-45617-02
15 T&P Relief Valve	415-40594-03	415-40594-02	415-40594-02	415-40594-02	415-40594-02	415-40594-02
16 Outer Door	239-46209-00	239-46209-00	239-46209-00	239-46209-00	239-46209-00	239-46209-00
17 Right Side Inner Door Complete	239-48216-20	239-48216-16	239-48216-18	239-48216-20	239-48216-18	239-48216-20
18 Screw #8-18 x 3/4 HWH	239-44195-00	239-44195-00	239-44195-00	239-44195-00	239-44195-00	239-44195-00
19 Brass Drain Valve	415-48070-02	415-48070-02	415-48070-02	415-48070-02	415-48070-02	415-48070-02
20 Screw #10-12 x 3/4 HWH	239-44113-00	239-44113-00	239-44113-00	239-44113-00	239-44113-00	239-44113-00
21 Flammable Vapor Sensor Clip	239-45648-00	239-45648-00	239-45648-00	239-45648-00	239-45648-00	239-45648-00
22 Flammable Vapor Sensor	239-45560-00	233-45560-00	239-45560-00	239-45560-00	239-45560-00	239-45560-00
23 Flammable Vapor Sensor Harness	239-45620-00	239-45620-00	239-45620-00	239-45620-00	239-45620-00	239-45620-00
24 Thermowell♦	233-45651-02	233-45651-02	233-45651-02	233-45651-02	233-45651-02	233-45651-02
25 Gas Valve Natural Gas♦	239-48174-02	239-48174-01	239-48174-01	239-48174-01	239-48174-01	239-48174-01
26 Gas Valve Service Tool♦	239-45991-00	239-45991-00	239-45991-00	239-45991-00	239-45991-00	239-45991-00

\*Applies to all warranties

\*\*Inner door gasket kit recommended

\*\*\*Ordering a complete burner assembly may increase delivery time. Please order the specific component required for the quickest delivery.

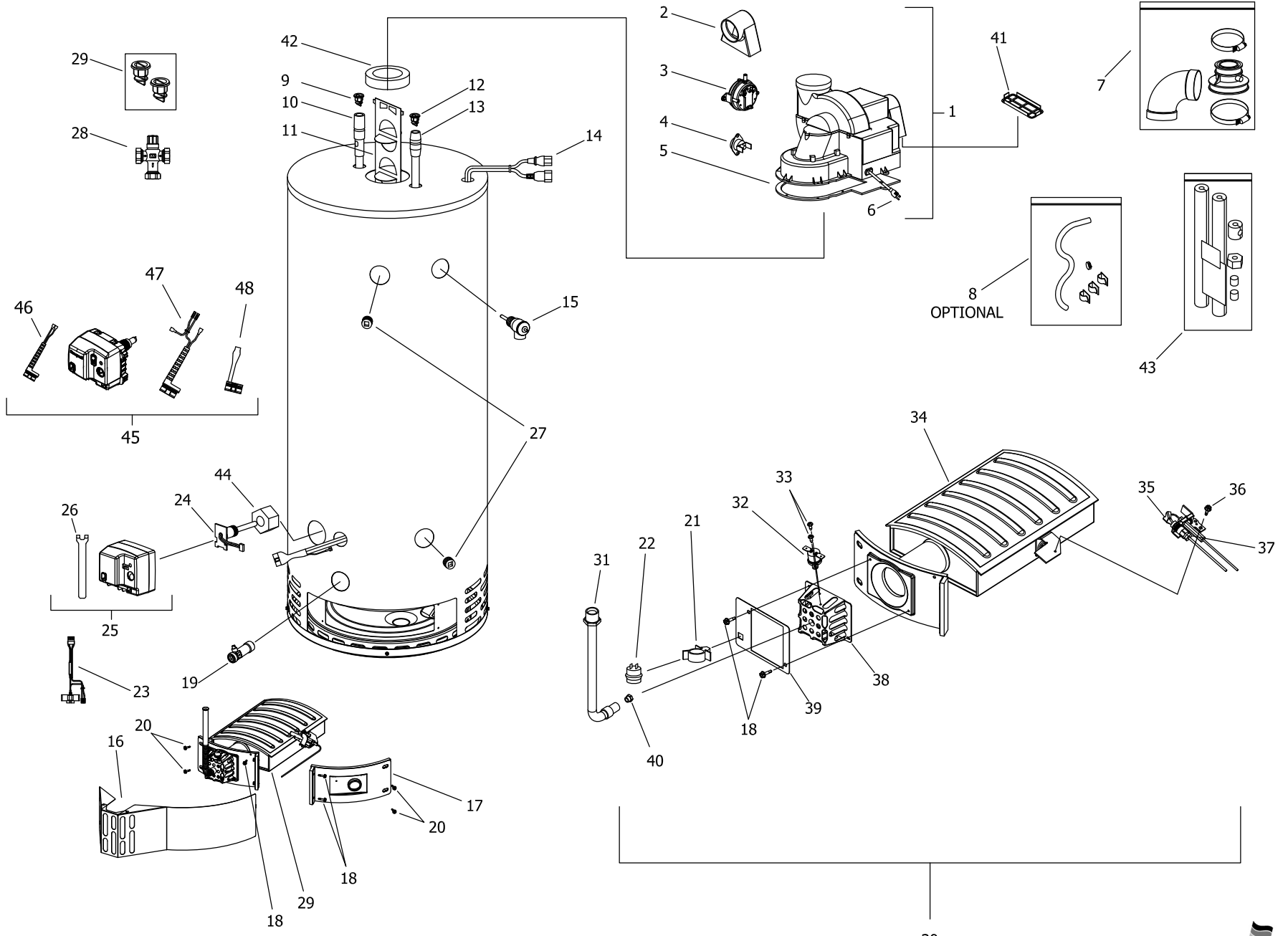
# A420 Anode may need to be cut to length

▲ Order with item 9

▲▲ Order with item 12

♦ For serial numbers beginning with "J" or sooner

♦♦ For serial numbers beginning with "K" or later



Item Description	Model	Model	Model	Model	Model	Model
	U1TW40S*FRN	U1TW50S*FRN	U1TW60T*FRN	U2TW50T*FRN	U2TW65T*FRN	UTW450S60FR*N
27 3/4" NPT Pipe Plug	---	---	---	239-11638-00	239-11638-00	239-11638-00
28 ASSE Approved Mixing Valve (Optional)	239-43740-01	239-43740-01	239-43740-01	239-43740-01	239-43740-01	239-43740-01
29 Kit-Heat Trap Insert	265-45419-00	265-45419-00	265-45419-00	265-45419-00	265-45419-00	265-45419-00
30 Burner Assembly ***	265-48329-01-37	265-48329-02-37	265-48329-02-36	265-48329-03-31	265-48329-04-31	265-48329-03-31
31 Flexible Gas Feedline	233-46930-01	233-46930-01	233-46930-01	233-46930-01	233-46930-01	233-46930-01
32 Thermal Switch	239-43676-03	239-43676-03	239-43676-03	239-43676-03	239-43676-03	239-43676-03
33 Screw #6-20 x 3/8 PHCR	239-43967-00	239-43967-00	239-43967-00	239-43967-00	239-43967-00	239-43967-00
34 Burner**	228-48383-18	228-48383-18	228-48383-18	228-48383-19	228-48383-21	228-48383-19
35 Pilot Assembly**	233-48175-04	233-48175-04	233-48175-04	233-48175-04	233-48175-04	233-48175-04
36 Screw #8-18 x 1/2 HWH	239-37261-00	239-37261-00	239-37261-00	239-37261-00	239-37261-00	239-37261-00
37 Pilot Orifice**	234-45869-01	234-45869-01	234-45869-01	234-45869-01	234-45869-01	234-45869-01
38 Manifold Mount	239-46201-00	239-46201-00	239-46201-00	239-46201-00	239-46201-00	239-46201-00
39 FVIR Sensor Plate	239-48341-00	239-48341-00	239-48341-00	239-48341-00	239-48341-00	239-48341-00
40 Orifice (Normal Atitude)	234-18194-37	234-18194-37	234-18194-36	234-18194-31	234-18194-31	234-18194-31
Orifice (High Atitude)	234-18194-42	234-18194-42	234-18194-41	234-18194-32	234-18194-32	234-18194-32
41 Dilution Air Clip	239-48176-00	239-48176-00	239-48176-00	239-48176-00	239-48176-00	239-48176-00
42 Flue Reducer	---	---	---	243-42572-00	243-42572-00	243-42572-00
43 Insulation Kit	---	---	---	---	---	---
44 Thermowell Insulation	---	---	---	---	---	---
45 Gas Valve Natural Gas♦♦	239-49823-01	239-49823-01	239-49823-01	239-49823-02	239-49823-02	239-49823-04
Gas Valve Natural LP♦♦						
46 Flammable Vapor Sensor Harness	239-49791-00	239-49791-00	239-49791-00	239-49791-00	239-49791-00	239-49791-00
47 FV Sensor and Thermal Switch Harness	239-50066-00	239-50066-00	239-50066-00	239-50066-00	239-50066-00	239-50066-00
48 Simulated Resistive Device Harness	239-49817-00	239-49817-00	239-49817-00	239-49817-00	239-49817-00	239-49817-00

\*Applies to all warranties

\*\*Inner door gasket kit recommended

\*\*\*Ordering a complete burner assembly may increase delivery time. Please order the specific component required for the quickest delivery.

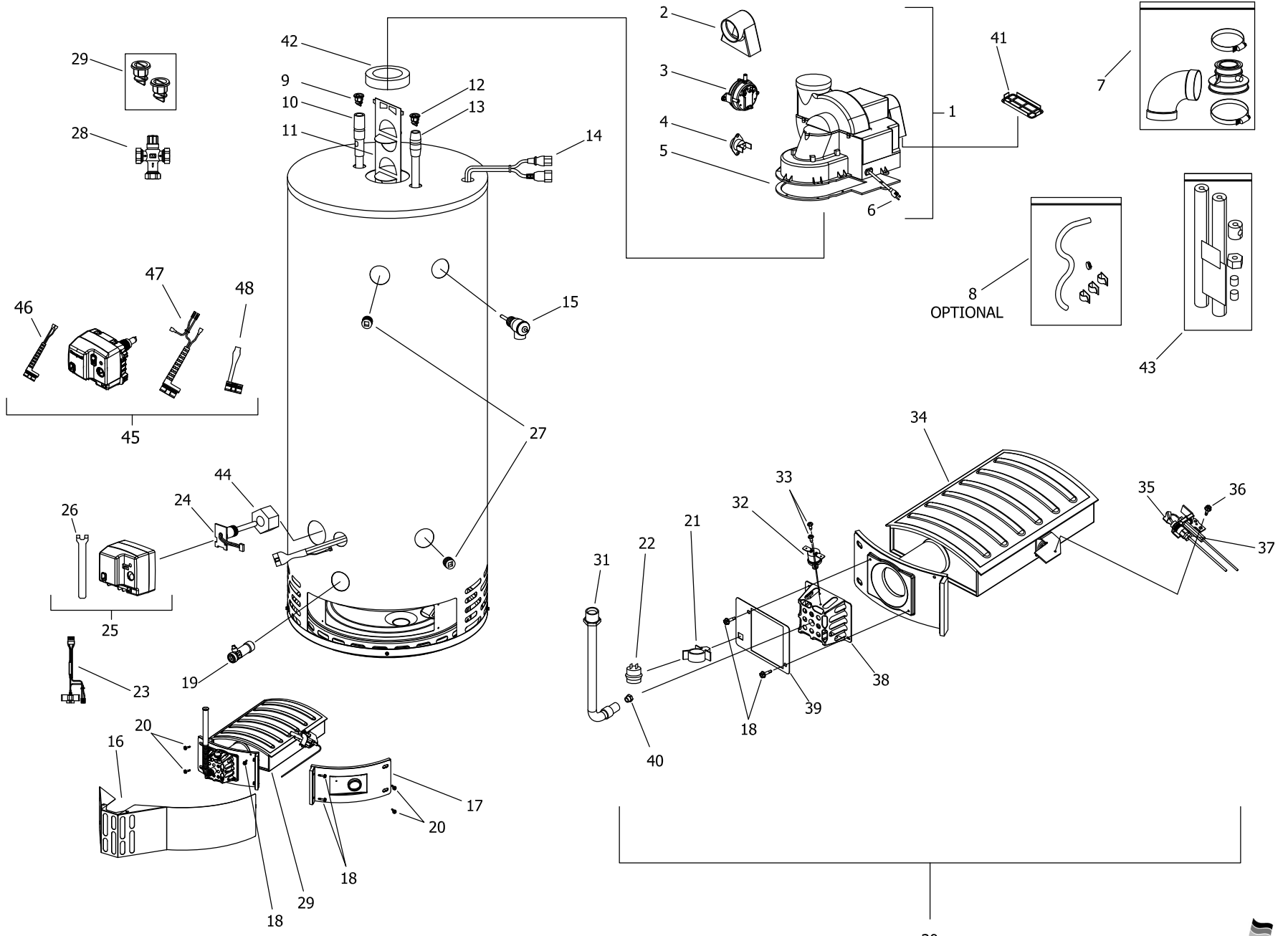
# A420 Anode may need to be cut to length

▲ Order with item 9

▲▲ Order with item 12

♦ For serial numbers beginning with "J" or sooner

♦♦ For serial numbers beginning with "K" or later





Item Description	Model	Model	Model	Model	Model	Model
	UTW465S60FR*N	U4TW40T*FRN	U4TW50T*FRN	U4TW60T*FRN	U4XRTW50T*FRN	U4XRTW65T*FRN
27 3/4" NPT Pipe Plug	239-11638-00	---	---	---	239-11638-00	239-11638-00
28 ASSE Approved Mixing Valve (Optional)	239-43740-01	239-43740-01	239-43740-01	239-43740-01	239-43740-01	239-43740-01
29 Kit-Heat Trap Insert	265-45419-00	265-45419-00	265-45419-00	265-45419-00	265-45419-00	265-45419-00
30 Burner Assembly ***	265-48329-04-31	265-48329-05-37	265-48329-01-37	265-48329-02-37	265-48329-03-32	265-48329-04-32
31 Flexible Gas Feedline	233-46930-01	233-46930-01	233-46930-01	233-46930-01	233-46930-01	233-46930-01
32 Thermal Switch	239-43676-03	239-43676-03	239-43676-03	239-43676-03	239-43676-03	239-43676-03
33 Screw #6-20 x 3/8 PHCR	239-43967-00	239-43967-06	239-43967-00	239-43967-00	239-43967-00	239-43967-00
34 Burner**	228-48383-21	228-48383-16	228-48383-18	228-48383-20	228-48383-19	228-48383-21
35 Pilot Assembly**	233-48175-04	233-48175-04	233-48175-04	233-48175-04	233-48175-04	233-48175-04
36 Screw #8-18 x 1/2 HWH	239-37261-00	239-37261-00	239-37261-00	239-37261-00	239-37261-00	239-37261-00
37 Pilot Orifice**	234-45869-01	234-45869-01	234-45869-01	234-45869-01	234-45869-01	234-45869-01
38 Manifold Mount	239-46201-00	239-46695-00	239-46695-00	239-46695-00	239-46201-00	239-46201-00
39 FVIR Sensor Plate	239-48341-00	239-48341-00	239-48341-00	239-48341-00	239-48341-00	239-48341-00
40 Orifice (Normal Atitude)	234-18194-31	234-18194-37	234-18194-37	234-18194-37	234-18194-31	234-18194-31
Orifice (High Atitude)	234-18194-32	234-18194-38	234-18194-38	234-18194-38	234-18194-33	234-18194-33
41 Dilution Air Clip	239-48176-00	239-48176-00	239-48176-00	239-48176-00	239-48176-00	239-48176-00
42 Flue Reducer	243-42572-00	---	222-48174-01	222-48174-01	239-48802-00	239-48802-00
43 Insulation Kit	---	---	239-45991-00	239-45991-00	239-48949-00	239-48949-00
44 Thermowell Insulation	---	---	---	---	226-38194-04	226-38194-04
45 Gas Valve Natural Gas♦♦	239-49823-04	239-49823-02	239-49823-04	239-49823-02	239-49823-02	239-49823-04
Gas Valve Natural LP♦♦						
46 Flammable Vapor Sensor Harness	239-49791-00	239-49791-00	239-49791-00	239-49791-00	239-49791-00	239-49791-00
47 FV Sensor and Thermal Switch Harness	239-50066-00	239-50066-00	239-50066-00	239-50066-00	239-50066-00	239-50066-00
48 Simulated Resistive Device Harness	239-49817-00	239-49817-00	239-49817-00	239-49817-00	239-49817-00	239-49817-00

\*Applies to all warranties

\*\*Inner door gasket kit recommended

\*\*\*Ordering a complete burner assembly may increase delivery time. Please order the specific component required for the quickest delivery.

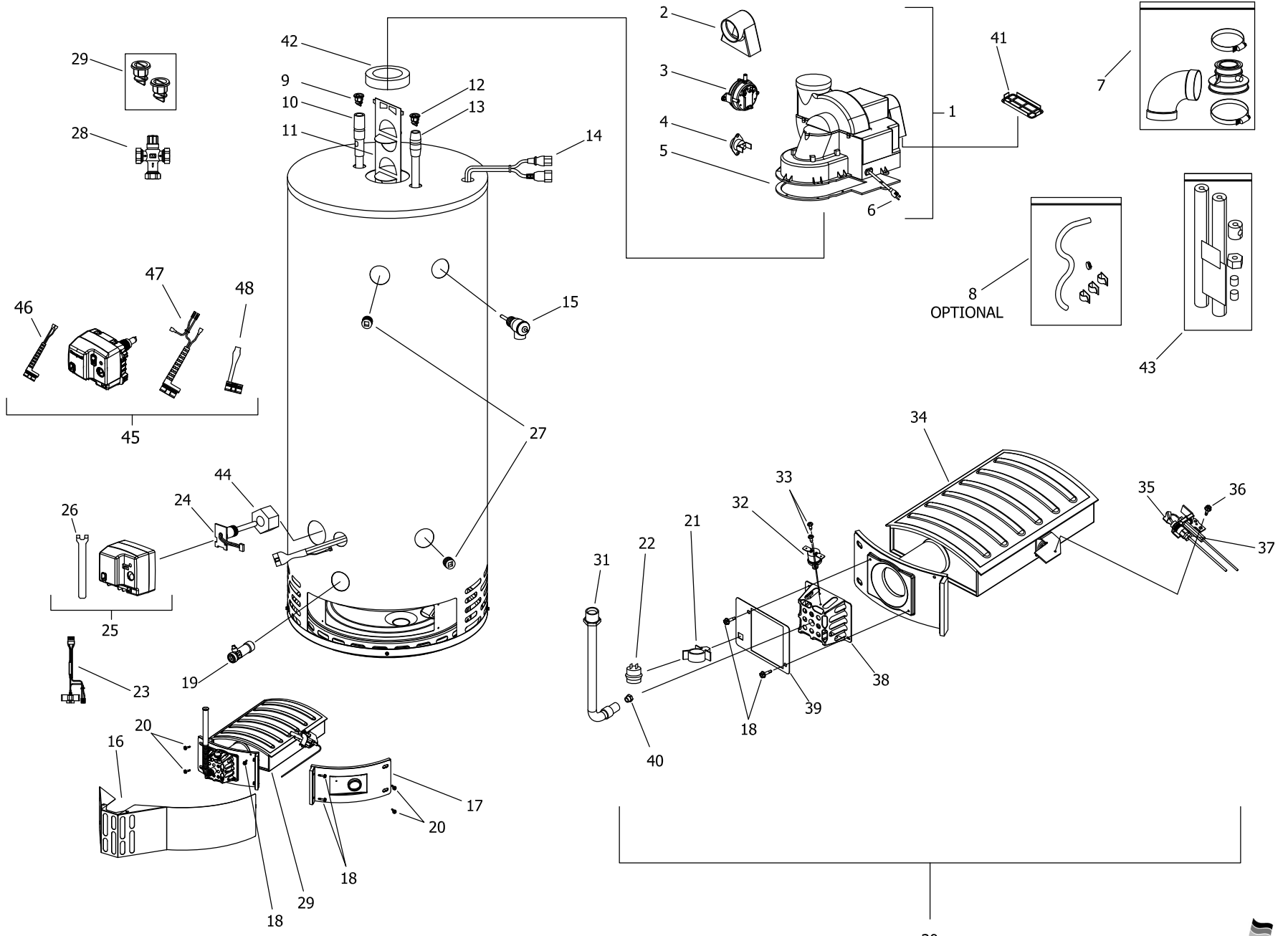
# A420 Anode may need to be cut to length

▲ Order with item 9

▲▲ Order with item 12

♦ For serial numbers beginning with "J" or sooner

♦♦ For serial numbers beginning with "K" or later





## United States

---

**Sales** 1-800-523-2931  
**Technical Support** 1-800-334-3393  
**Email** [techsupport@bradfordwhite.com](mailto:techsupport@bradfordwhite.com)  
**Warranty** 1-800-531-2111  
**Email** [warranty@bradfordwhite.com](mailto:warranty@bradfordwhite.com)  
**Service Parts** 1-800-538-2020  
**Email** [parts@bradfordwhite.com](mailto:parts@bradfordwhite.com)

## Canada

---

**Sales** 1-866-690-0961 1-905-203-0600  
**Fax** 905-636-0666  
**Warranty** 1-800-531-2111  
**Email** [warranty@bradfordwhite.com](mailto:warranty@bradfordwhite.com)  
**Technical Support** 1-800-334-3393  
**Email** [techsupport@bradfordwhite.com](mailto:techsupport@bradfordwhite.com)  
**Service Parts and Orders** [ca.orders@bradfordwhite.com](mailto:ca.orders@bradfordwhite.com)

For U.S. and Canada field service, contact your professional installer or local Bradford White sales representative.

## International

---

**General Contact** [international@bradfordwhite.com](mailto:international@bradfordwhite.com)