



RESIDENTIAL AND COMMERCIAL GAS REPLACEMENT PARTS LIST

Ultra High Efficiency with Direct Spark Ignition Models



Models Covered:

EFR160T120*(EN,SX)

EF100T(150, 199)(E)*(N,X)(A)2

EF100T(250, 300)(E)*(N,X)(A)2

EF60T(125, 150)(E)*(N,X)(A)2

EF60T199(E)*(N,X)(A)2

Serial Number (GB13006174 and AFTER)

*Denotes warranty year

Includes Hydrojet®
Total Performance System

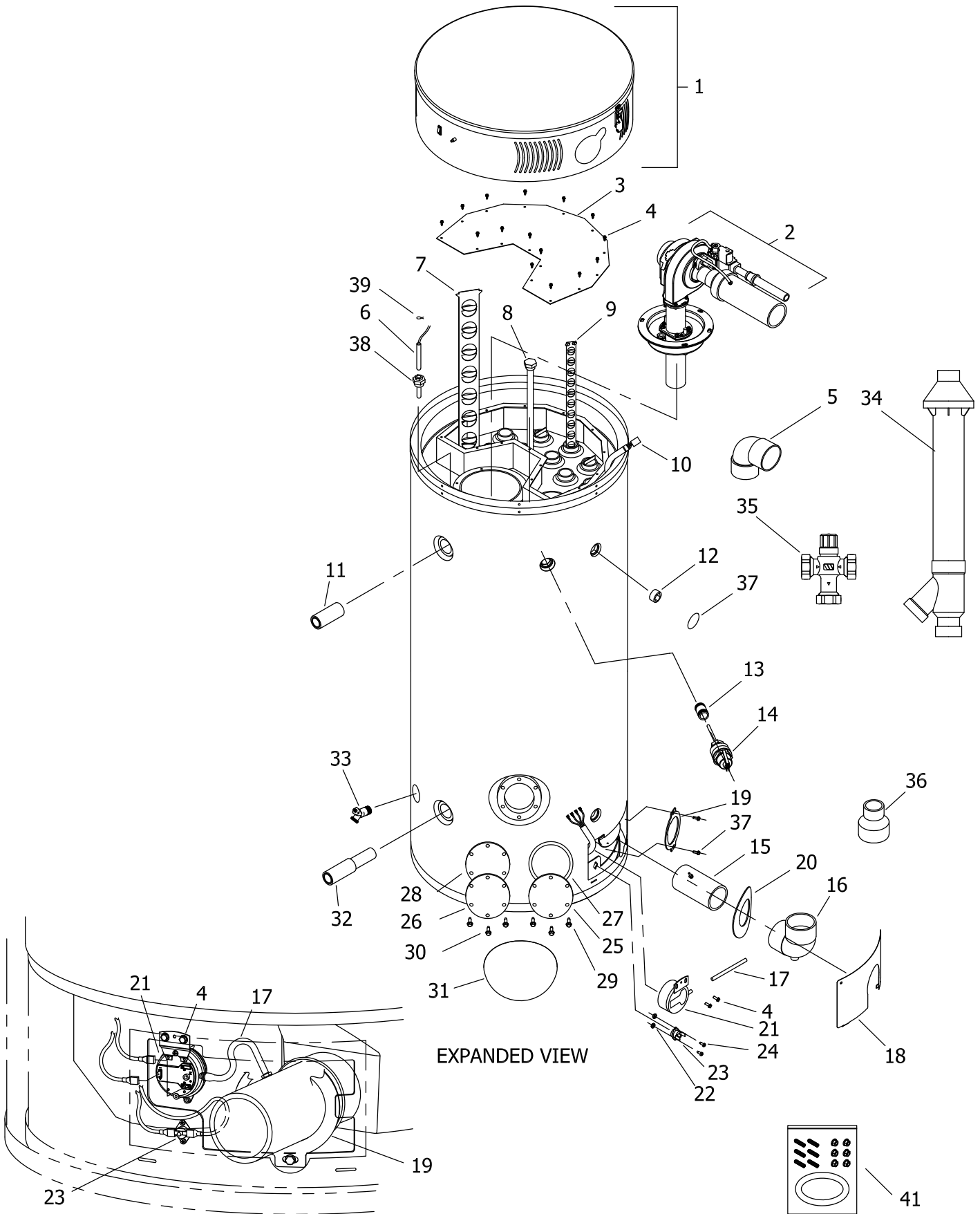
Effective: October, 2024
ECO 8780

**NOTE: BOTH MODEL AND SERIAL
NUMBERS ARE REQUIRED FOR
ORDERING REPLACEMENT PARTS**

Dimensions and specifications
subject to change without notice.



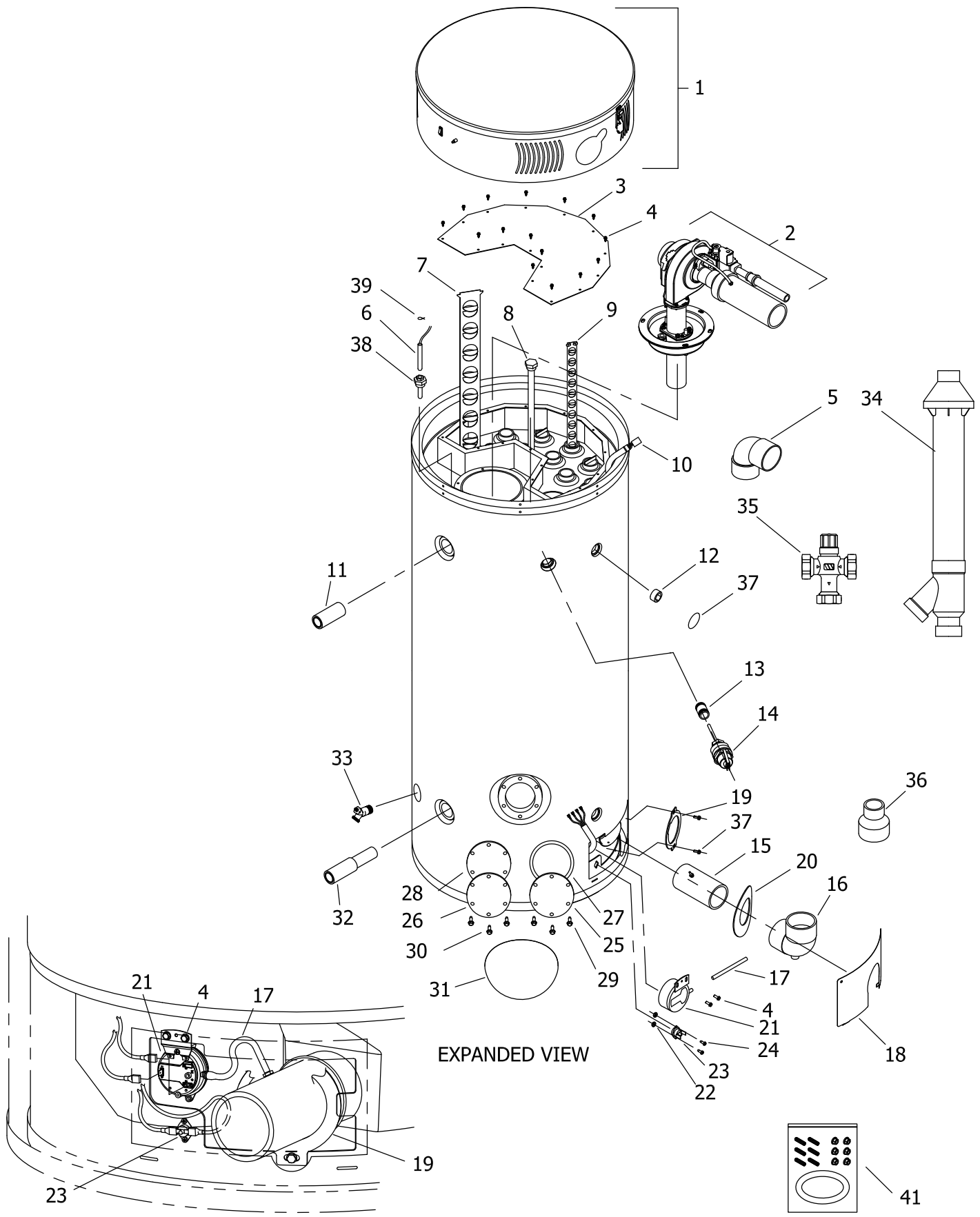
As required by the state of California Proposition 65.



EXHAUST SERVICE AREA DETAIL
(ASSEMBLED)

Item	Description	Model	Model	Model	Model
		EF160T120*(EN,SX)	EF100T150(E)*(N,X)(A)2	EF100T199(E)*(N,X)(A)2	EF100T250(E)*(N,X)(A)2
1	Combustion Surround Assembly	See Page 6	See Page 6	See Page 6	See Page 6
2	Combustion System Assembly	See Page 4	See Page 4	See Page 4	See Page 4
3	Collector Cover Second Pass	239-43454-00	239-43454-00	239-43454-00	239-43454-00
	Kit-EF 2nd Pass Collector Replacement (Optional)	265-47921-00	265-47921-00	265-47921-00	265-47921-00
	Kit-EF Collector Temp Switch (Optional)	265-53925-00	265-53925-00	265-53925-00	265-53925-00
4	Screw 10-16 x 3/4	239-44444-00	239-44444-00	239-44444-00	239-44444-00
5	Elbow-Vent Terminal (2 Req'd)	239-39831-00	---	---	---
	Elbow-Vent Terminal	---	415-40579-00	415-40579-00	415-40579-00
	Coupling-Vent Terminal	---	239-46740-00	239-46740-00	239-46740-00
6	Temperature Sensor	415-46553-02	415-46553-02	415-46553-02	415-46553-02
7	Baffle 4" Flue (2 Req'd)	243-43304-00	---	243-43304-00	243-43304-00
8	Anode Rod (Magnesium) (4 Req'd)#	224-47782-13	415-55483-00	415-55483-00	415-55483-00
	Anode Rod (Aluminum) (4 Req'd)#	415-38508-06	---	---	---
	Anode Rod (A420 Aluminum) (4 Req'd)#	415-55487-00	415-55487-00	415-55487-00	415-55487-00
9	Baffle 2" Flue (8 Req'd)	239-45659-00	239-45658-00	239-45658-00	239-45658-00
10	Wire Harness-Service Panel	239-43358-02	239-43358-01	239-43358-01	239-43358-01
11	Nipple Hot Water Outlet Plasticsert (Front Connect)	415-50053-02	229-40913-07	229-40913-07	229-40913-07
12	Pipe Plug 1" NPT	239-02048-00	239-02048-00	239-02048-00	239-02048-00
13	Nipple Plasticsert T & P	229-32762-02	229-32762-02	229-32762-02	415-50053-02
14	T&P Relief Valve	415-30246-00	415-30246-00	415-30246-00	415-33630-04
15	Exhaust Vent Pipe	239-45971-00	239-45971-00	239-45971-00	239-45971-00
16	Condensate Elbow	415-43211-00	415-43211-00	415-43211-00	415-43211-00
17	Silicone Tubing 3/16" I.D.	239-41718-00	239-41718-00	239-41718-00	239-41718-00
18	Outer Door Service Panel	---	243-44668-00	243-44668-00	243-44668-00
19	Bracket Exhaust Support	239-44667-00	239-44667-00	239-44667-00	239-44667-00
20	Escutcheon-Exhaust Pipe (EF Series)	239-43997-00	239-43997-00	239-43997-00	239-43997-00
21	Exhaust Pressure Switch	415-46037-01	415-46037-01	415-46037-01	415-46037-01
22	Keps Nut (2 Req'd)	239-81844-00	239-81844-00	239-81844-00	239-81844-00
23	Hi-Limit Switch	415-43238-02	415-43238-02	415-43238-02	415-43238-02
24	Screw 6-32 x 3/8 (2 Req'd)	239-81843-00	239-81843-00	239-81843-00	239-81843-00
25	Cleanout Cover	205-18428-00	205-18428-00	205-18428-00	205-18428-00
26	Cleanout Cover (ASME)	---	205-32941-00	205-32941-00	205-32941-00
27	Cleanout Gasket	205-18427-00	205-18427-00	205-18427-00	205-18427-00
28	Cleanout Gasket (ASME)	---	205-32942-00	205-32942-00	205-32942-00
29	Screw 5/16 - 18 x 1/2	239-82166-00	239-82166-00	239-82166-00	239-82166-00
30	Screw 5/16 - 18 x 1/2 (ASME) (6 Req'd)	---	239-32970-00	239-32970-00	239-32970-00
31	Clean Out Access Cover	---	243-20299-00	243-20299-00	243-20299-00
32	Inlet Tube Hydrojet (Front Connect)	---	415-44375-00	415-44375-00	415-44375-00
33	Drain Valve Brass (No Handle)	415-42351-02	415-42351-02	415-42351-02	415-42351-02
34	Coaxial Vent Pipe with Terminal (Optional)	415-44069-02	415-44069-01	415-44069-01	415-44069-01
35	ASSE Approved Mixing Valve (Optional)	239-51778-00	239-51778-00	239-51778-00	239-51778-00
36	Reducer 3" x 2"	---	---	---	---
37	Hole Closure	239-31547-02	239-31547-02	239-31547-02	239-31547-02
38	Sensor Well	233-46558-01	233-46558-01	233-46558-01	233-46558-01
39	Clip Thermostat	233-45242-00	233-45242-00	233-45242-00	233-45242-00
40	Screw 1/4-20 x 5/8 Hex Washer (2 Req'd)	239-42637-00	239-42637-00	239-42637-00	239-42637-00
41	Kit-Cleanout (not for use with ASME tanks)	415-54256-00	415-54256-00	415-54256-00	415-54256-00

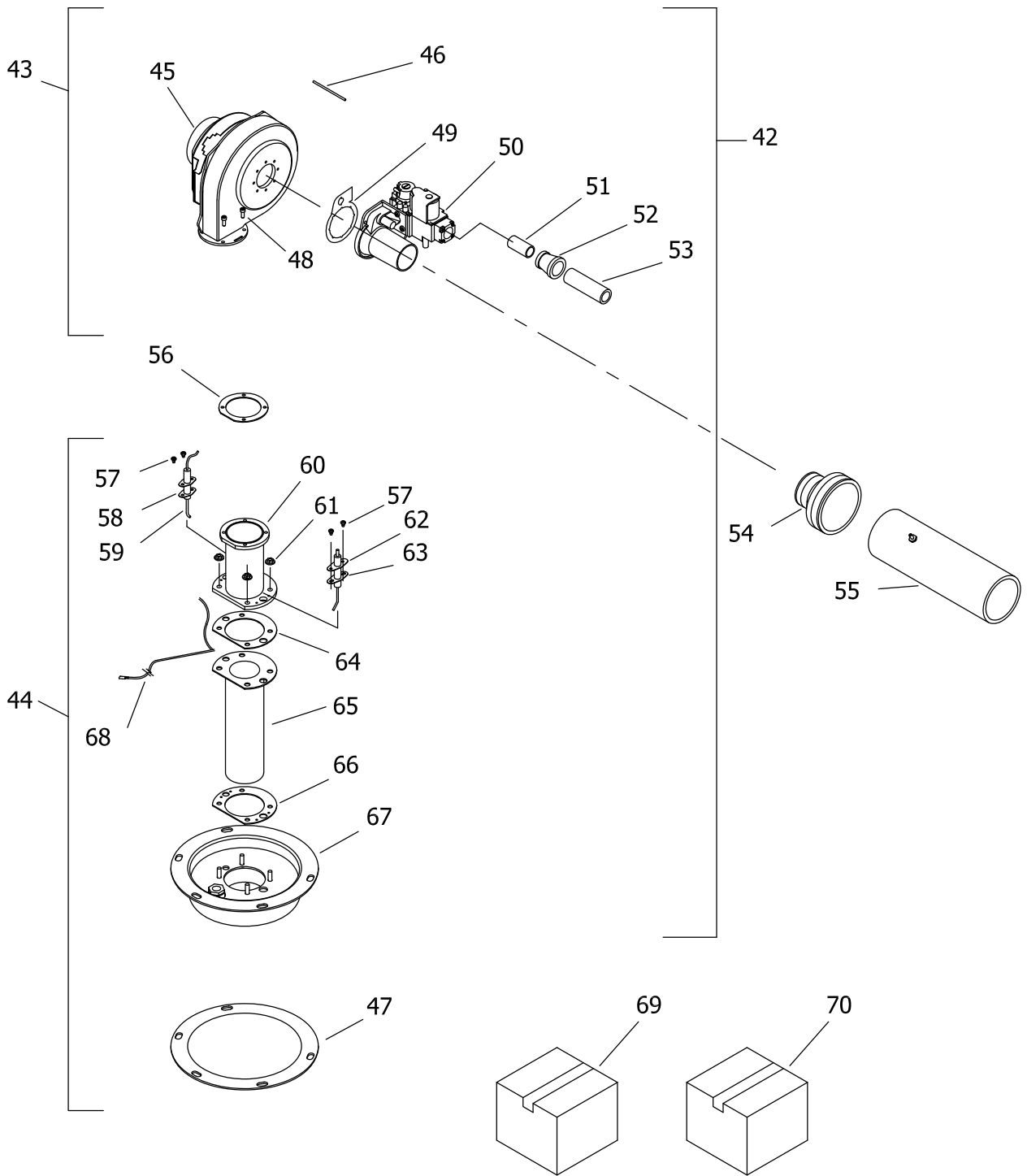
* Applies to all warranties
Anode may need to be cut to length; see end of this parts list for further information



EXHAUST SERVICE AREA DETAIL
(ASSEMBLED)

Item	Description	Model	Model	Model	Model
		EF100T300(E)*(N,X)(A)2	EF60T125(E)*(N,X)(A)2	EF60T150(E)*(N,X)(A)2	EF60T199(E)*(N,X)(A)2
1	Combustion Surround Assembly	See Page 14	See Page 14	See Page 14	See Page 14
2	Combustion System Assembly	See Page 12	See Page 12	See Page 12	See Page 12
3	Collector Cover Second Pass	239-43454-00	239-43454-00	239-43454-00	239-43454-00
	Kit-EF 2nd Pass Collector Replacement (Optional)	265-47921-00	265-47921-00	265-47921-00	265-47921-00
	Kit-EF Collector Temp Switch (Optional)	265-53925-00	265-53925-00	265-53925-00	265-53925-00
4	Screw 10-16 x 3/4	239-44444-00	239-44444-00	239-44444-00	239-44444-00
5	Elbow-Vent Terminal (2 Req'd)	---	---	---	---
	Elbow-Vent Terminal	415-40579-00	415-40579-00	415-40579-00	415-40579-00
	Coupling-Vent Terminal	239-46740-00	239-46740-00	239-46740-00	239-46740-00
6	Temperature Sensor	415-46553-02	415-46553-02	415-46553-02	415-46553-02
7	Baffle 4" Flue (2 Req'd)	243-43304-00	243-43304-00	243-43304-00	243-43304-00
8	Anode Rod (Magnesium) (4 Req'd)#	415-55483-00	224-47782-13	224-47782-13	224-47782-13
	Anode Rod (Aluminum) (4 Req'd)#	---	415-38508-06	415-38508-06	415-38508-06
	Anode Rod (A420 Aluminum) (4 Req'd)#	415-55487-00	415-55487-00	415-55487-00	415-55487-00
9	Baffle 2" Flue (8 Req'd)	239-45658-00	239-45659-00	239-45659-00	239-45659-00
10	Wire Harness-Service Panel	239-43358-01	239-43358-02	239-43358-02	239-43358-02
11	Nipple Hot Water Outlet Plastisert (Front Connect)	229-40913-07	229-40913-07	229-40913-07	229-40913-07
12	Pipe Plug 1" NPT	239-02048-00	239-02048-00	239-02048-00	239-02048-00
13	Nipple Plastisert T & P	415-50053-02	229-32762-02	229-32762-02	229-32762-02
14	T&P Relief Valve	415-33630-04	415-30246-00	415-30246-00	415-30246-00
15	Exhaust Vent Pipe	239-45971-00	239-45971-00	239-45971-00	239-45971-00
16	Condensate Elbow	415-43211-00	415-43211-00	415-43211-00	415-43211-00
17	Silicone Tubing 3/16" I.D.	239-41718-00	239-41718-00	239-41718-00	239-41718-00
18	Outer Door Service Panel	243-44668-00	243-44668-00	243-44668-00	243-44668-00
19	Bracket Exhaust Support	239-44667-00	239-44667-00	239-44667-00	239-44667-00
20	Escutcheon-Exhaust Pipe (EF Series)	239-43997-00	239-43997-00	239-43997-00	239-43997-00
21	Exhaust Pressure Switch	415-46037-01	415-46037-01	415-46037-01	415-46037-01
22	Keps Nut (2 Req'd)	239-81844-00	239-81844-00	239-81844-00	239-81844-00
23	Hi-Limit Switch	415-43238-02	415-43238-02	415-43238-02	415-43238-02
24	Screw 6-32 x 3/8 (2 Req'd)	239-81843-00	239-81843-00	239-81843-00	239-81843-00
25	Cleanout Cover	205-18428-00	205-18428-00	205-18428-00	205-18428-00
26	Cleanout Cover (ASME)	205-32941-00	205-32941-00	205-32941-00	205-32941-00
27	Cleanout Gasket	205-18427-00	205-18427-00	205-18427-00	205-18427-00
28	Cleanout Gasket (ASME)	205-32942-00	205-32942-00	205-32942-00	205-32942-00
29	Screw 5/16 - 18 x 1/2	239-82166-00	239-82166-00	239-82166-00	239-82166-00
30	Screw 5/16 - 18 x 1/2 (ASME) (6 Req'd)	239-32970-00	239-32970-00	239-32970-00	239-32970-00
31	Clean Out Access Cover	243-20299-00	243-20299-00	243-20299-00	243-20299-00
32	Inlet Tube Hydrojet (Front Connect)	415-44375-00	415-44375-00	415-44375-00	415-44375-00
33	Drain Valve Brass (No Handle)	415-42351-02	415-42351-02	415-42351-02	415-42351-02
34	Coaxial Vent Pipe with Terminal (Optional)	415-44069-01	415-44069-01	415-44069-01	415-44069-01
35	ASSE Approved Mixing Valve (Optional)	239-51778-00	239-51778-00	239-51778-00	239-51778-00
36	Reducer 3" x 2"	---	---	---	---
37	Hole Closure	239-31547-02	239-31547-02	239-31547-02	239-31547-02
38	Sensor Well	233-46558-01	233-46558-01	233-46558-01	233-46558-01
39	Clip Thermostat	233-45242-00	233-45242-00	233-45242-00	233-45242-00
40	Screw 1/4-20 x 5/8 Hex Washer (2 Req'd)	239-42637-00	239-42637-00	239-42637-00	239-42637-00
41	Kit-Cleanout (not for use with ASME tanks)	415-54256-00	415-54256-00	415-54256-00	415-54256-00

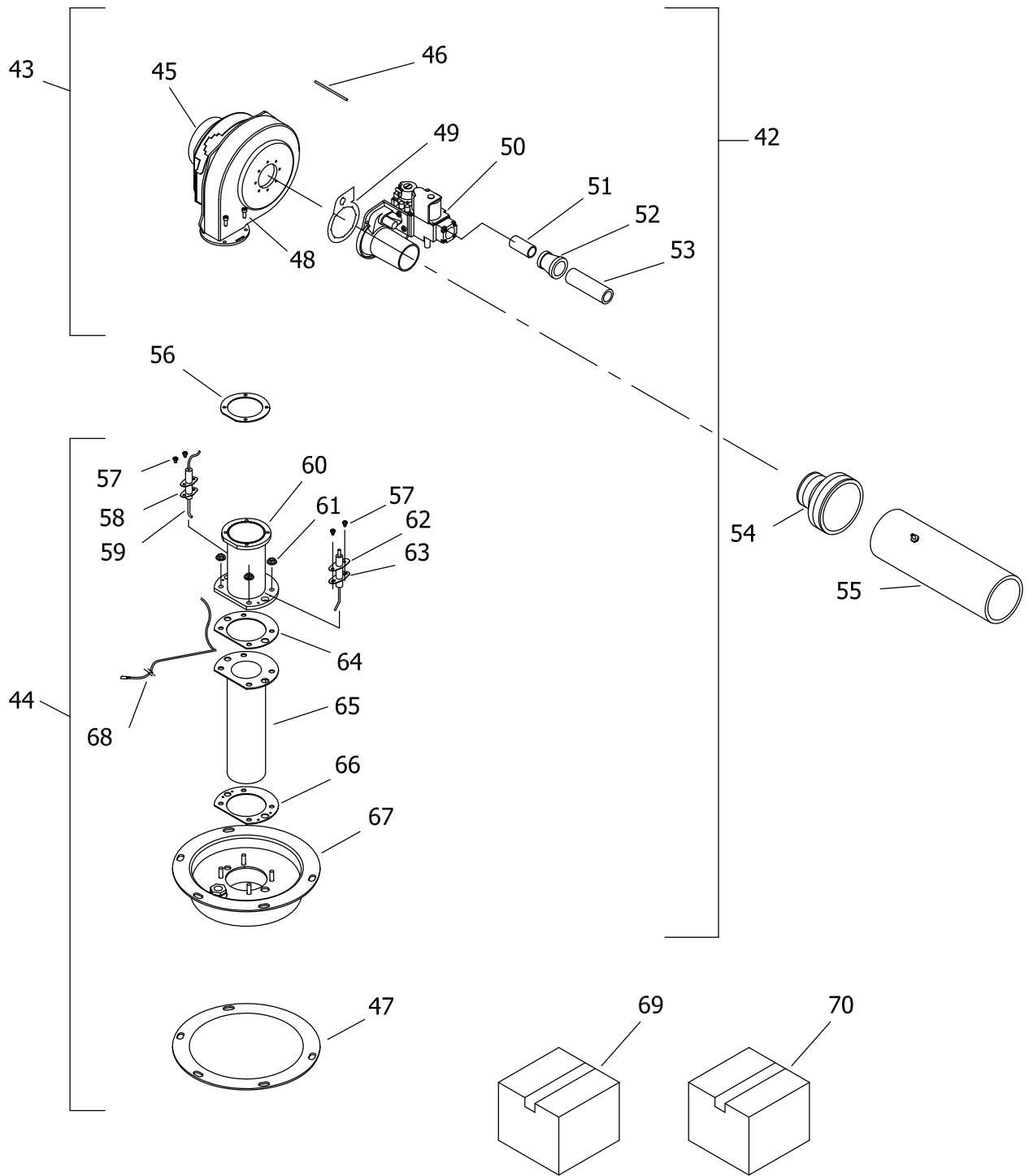
* Applies to all warranties
Anode may need to be cut to length; see end of this parts list for further information



Item	Description	Model	Model	Model	Model
		EF160T120*(EN,SX)	EF100T150(E)*(N,X)(A)2	EF100T199(E)*(N,X)(A)2	EF100T250(E)*(N,X)(A)2
42	Combustion System Assembly (Nat)	---	243-48073-05	243-48073-07	243-48073-09
	Combustion System Assembly (LP)	---	243-48073-06	243-48073-08	243-48073-10
43	Blower and Gas Valve Assembly (Nat)	243-46009-01	243-46009-03	243-46010-01	243-46010-03
	Blower and Gas Valve Assembly (LP)	243-46009-02	243-46009-04	243-46010-02	243-46010-04
44	Burner Assembly EF	265-46023-00	265-46023-00	265-46023-00	265-46024-00
45	Blower	415-51225-00	415-51225-00	415-54727-00	415-54727-00
46	Hose Tubing 3/16" I.D.	239-41718-00	239-41718-00	239-41718-00	239-41718-00
47	Burner Mounting Insert Gasket**	239-43197-00	239-43197-00	239-43197-00	239-43197-00
48	Screw 10-32 x 3/4 SHCS (4 Req'd)	239-43273-00	239-43273-00	239-43273-00	239-43273-00
49	Gasket Venturi to blower	239-44654-00	239-44654-00	239-44654-00	239-44654-00
50	Gas Valve Assembly (Nat)	265-46007-01	265-46007-02	265-46007-02	265-46007-03
	Gas Valve Assembly (LP)	265-46008-01	265-46008-02	265-46008-02	265-46008-03
51	Nipple 1/2 NPT X 3"	239-37047-00	239-37047-00	239-37047-00	239-37047-00
52	Reducer 3/4 x 1/2 NPT	239-04474-00	239-04474-00	239-04474-00	239-04474-00
53	Nipple 3/4 NPT x 7"	239-43373-00	239-43373-00	239-43373-00	239-43373-00
54	2" x 3" Dia. Flex Reducer	239-40902-00	239-40902-00	239-40902-00	239-40902-00
55	Inlet Tube (PVC)	239-43364-01	239-43364-01	239-43364-01	239-43364-01
56	Gasket Blower Transition	239-43241-00	239-43241-00	239-43241-00	239-43241-00
57	Screw 8-32 x 1/4 RHCR (4 Req'd)	239-43272-00	239-43272-00	239-43272-00	239-43272-00
58	Flame Sensor Gasket	239-43371-00	239-43371-00	239-43371-00	239-43371-00
59	Flame Sensor W/ Gasket	415-43232-00	415-43232-00	415-43232-00	415-43232-00
60	Blower Transition Weldment	239-43201-00	239-43201-00	239-43201-00	239-43201-00
61	Nut Hex Washer (4 Req'd)	239-43297-00	239-43297-00	239-43297-00	239-43297-00
62	Spark Rod (w/ Gasket)	415-46481-00	415-46481-00	415-46481-00	415-46481-00
63	Spark Rod Gasket	239-43370-00	239-43370-00	239-43370-00	239-43370-00
64	Burner Mounting Gasket	239-43246-00	239-43246-00	239-43246-00	239-43246-00
65	Burner Tube Kit (w/ Gasket)	415-53032-00	415-53032-00	415-53032-00	415-53033-00
66	Burner Mounting Gasket	239-43246-00	239-43246-00	239-43246-00	239-43246-00
67	Burner Mounting Insert	239-43167-00	239-43167-00	239-43167-00	239-43167-00
68	Ground Wire Assembly 24" Green	239-51994-00	239-51994-00	239-51994-00	239-51994-00
69	Gas Regulator Kit (optional)	243-45517-00	243-45517-00	243-45517-00	243-45517-00
70	LP to Natural Gas Conversion Kit	265-46391-01	265-46391-02	265-46391-02	265-46391-03

* Applies to all warranties

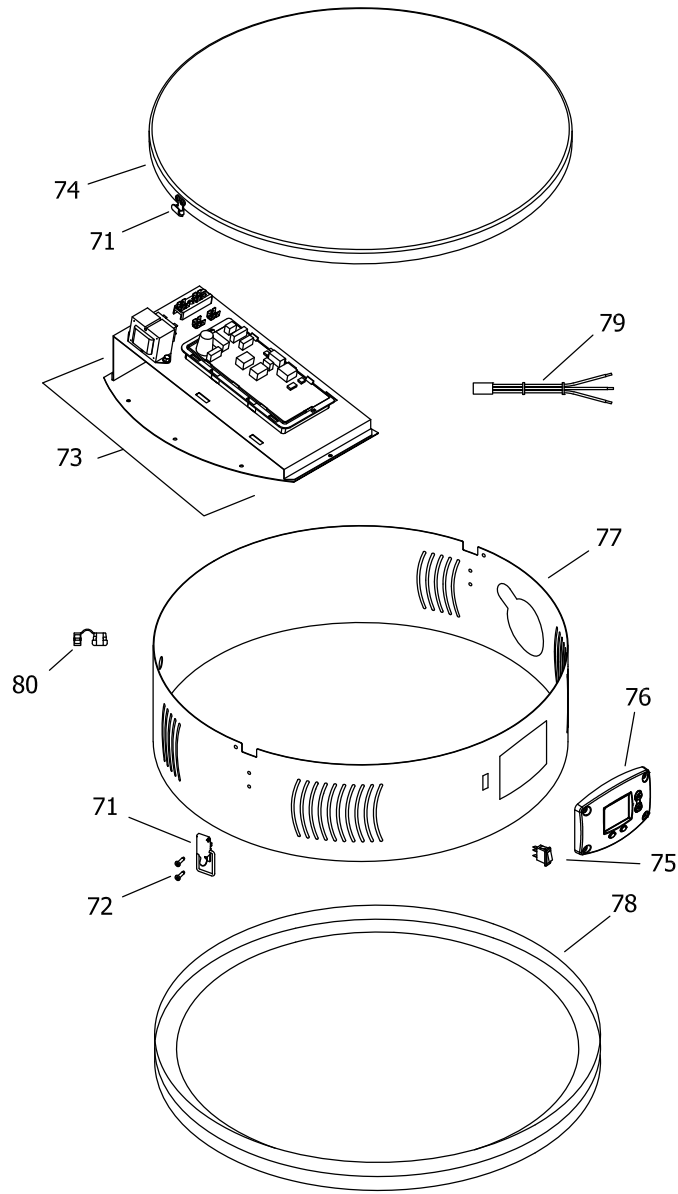
** Included with Item 44



Item	Description	Model	Model	Model	Model
		EF100T300(E)*(N,X)(A)2	EF60T125(E)*(N,X)(A)2	EF60T150(E)*(N,X)(A)2	EF60T199(E)*(N,X)(A)2
42	Combustion System Assembly (Nat)	243-48073-11	243-48073-03	243-48073-05	243-48073-07
	Combustion System Assembly (LP)	243-48073-12	243-48073-04	243-48073-06	243-48073-08
43	Blower and Gas Valve Assembly (Nat)	243-46010-05	243-46009-01	243-46009-03	243-46010-01
	Blower and Gas Valve Assembly (LP)	243-46010-06	243-46009-02	243-46009-04	243-46010-02
44	Burner Assembly EF	265-46024-00	265-46023-00	265-46023-00	265-46023-00
45	Blower	415-54727-00	415-51225-00	415-51225-00	415-54727-00
46	Hose Tubing 3/16" I.D.	239-41718-00	239-41718-00	239-41718-00	239-41718-00
47	Burner Mounting Insert Gasket**	239-43197-00	239-43197-00	239-43197-00	239-43197-00
48	Screw 10-32 x 3/4 SHCS (4 Req'd)	239-43273-00	239-43273-00	239-43273-00	239-43273-00
49	Gasket Venturi to blower	239-44654-00	239-44654-00	239-44654-00	239-44654-00
50	Gas Valve Assembly (Nat)	265-46007-04	265-46007-01	265-46007-02	265-46007-02
	Gas Valve Assembly (LP)	265-46008-04	265-46008-01	265-46008-02	265-46008-02
51	Nipple 1/2 NPT X 3"	239-37047-00	239-37047-00	239-37047-00	239-37047-00
52	Reducer 3/4 x 1/2 NPT	239-04474-00	239-04474-00	239-04474-00	239-04474-00
53	Nipple 3/4 NPT x 7"	239-43373-00	239-43373-00	239-43373-00	239-43373-00
54	2" x 3" Dia. Flex Reducer	239-40902-00	239-40902-00	239-40902-00	239-40902-00
55	Inlet Tube (PVC)	239-43364-01	239-43364-01	239-43364-01	239-43364-01
56	Gasket Blower Transition	239-43241-00	239-43241-00	239-43241-00	239-43241-00
57	Screw 8-32 x 1/4 RHCR (4 Req'd)	239-43272-00	239-43272-00	239-43272-00	239-43272-00
58	Flame Sensor Gasket	239-43371-00	239-43371-00	239-43371-00	239-43371-00
59	Flame Sensor W/ Gasket	415-43232-00	415-43232-00	415-43232-00	415-43232-00
60	Blower Transition Weldment	239-43201-00	239-43201-00	239-43201-00	239-43201-00
61	Nut Hex Washer (4 Req'd)	239-43297-00	239-43297-00	239-43297-00	239-43297-00
62	Spark Rod (w/ Gasket)	415-46481-00	415-46481-00	415-46481-00	415-46481-00
63	Spark Rod Gasket	239-43370-00	239-43370-00	239-43370-00	239-43370-00
64	Burner Mounting Gasket	239-43246-00	239-43246-00	239-43246-00	239-43246-00
65	Burner Tube Kit (w/ Gasket)	415-53033-00	415-53032-00	415-53032-00	415-53032-00
66	Burner Mounting Gasket	239-43246-00	239-43246-00	239-43246-00	239-43246-00
67	Burner Mounting Insert	239-43167-00	239-43167-00	239-43167-00	239-43167-00
68	Ground Wire Assembly 24" Green	239-51994-00	239-51994-00	239-51994-00	239-51994-00
69	Gas Regulator Kit (optional)	243-45517-00	243-45517-00	243-45517-00	243-45517-00
70	LP to Natural Gas Conversion Kit	265-46391-04	265-46391-01	265-46391-02	265-46391-02

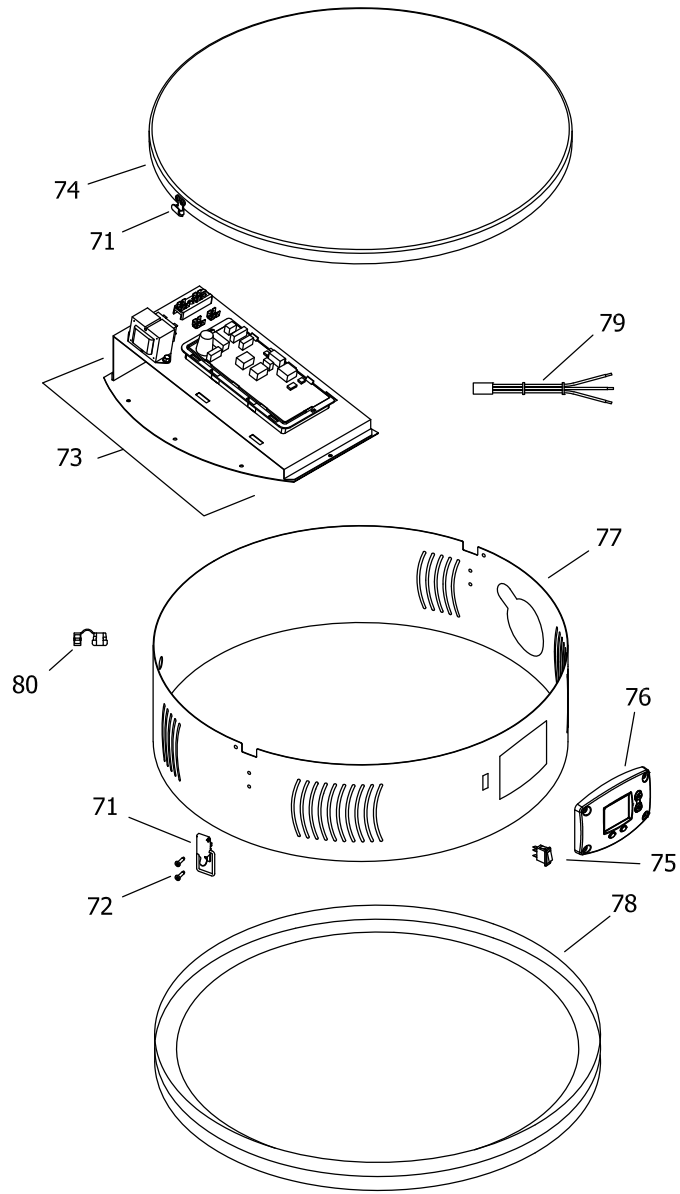
* Applies to all warranties

** Included with Item 44



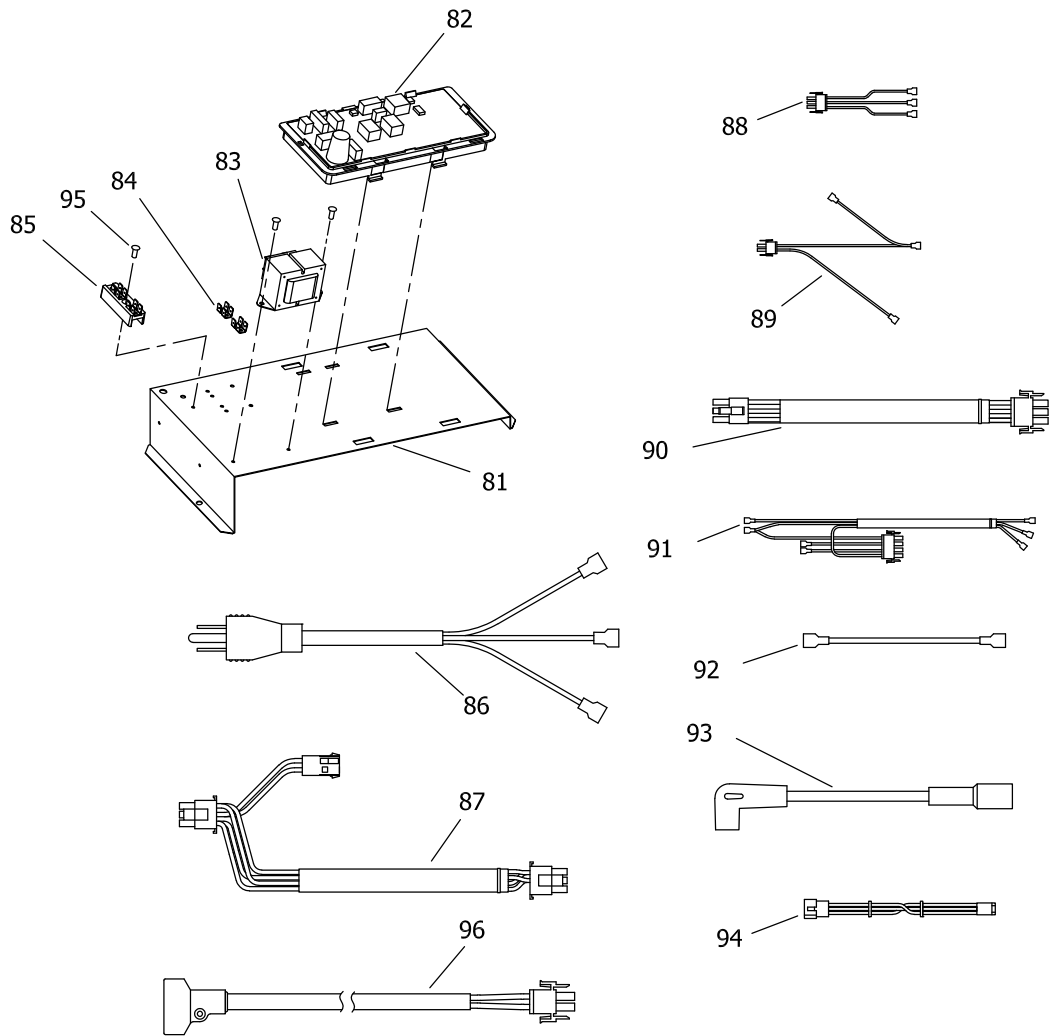
Item	Description	Model	Model	Model	Model
		EF160T120*(EN,SX)	EF100T150(E)*(N,X)(A)2	EF100T199(E)*(N,X)(A)2	EF100T250(E)*(N,X)(A)2
71	Keeper Latch & Catch	239-43239-00	239-43239-00	239-43239-00	239-43239-00
72	Screw 8-32 x 1/2 RHCR (2 Req'd)	239-41715-00	239-41715-00	239-41715-00	239-41715-00
73	Ignition Control Assembly	243-47149-01 (see page 8)	243-47149-01 (see page 8)	243-47149-01 (see page 8)	243-47149-01 (see page 8)
74	Surround Head-EF Comm.	243-45823-02	243-45823-02	243-45823-02	243-45823-02
75	Main Power Switch	239-43234-00	239-43234-00	239-43234-00	239-43234-00
76	Control Display-Resideo Integrated Control	415-46557-00	415-46557-00	415-46557-00	415-46557-00
77	Ring Combustion Surround	239-47305-02	239-47305-02	239-47305-02	239-47305-02
78	Combustion Surround Base	239-51296-02	239-51296-02	239-51296-02	239-51296-02
79	Integrated Control Display Harness	239-46617-00	239-46617-00	239-46617-00	239-46617-00
80	Strain Relief Bushing (Power Cord)	239-80372-00	239-80372-00	239-80372-00	239-80372-00

* Applies to all warranties



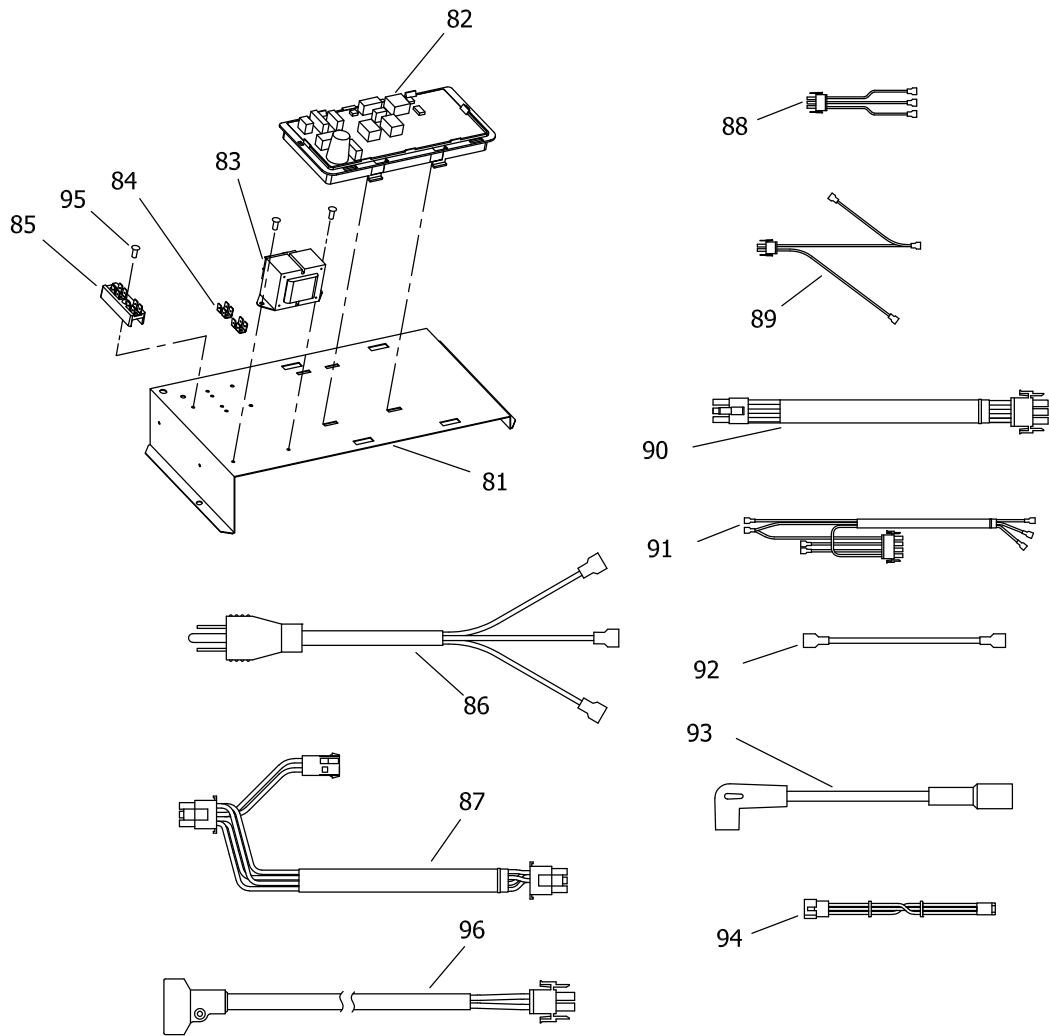
Item	Description	Model	Model	Model	Model
		EF100T300(E)*(N,X)(A)2	EF60T125(E)*(N,X)(A)2	EF60T150(E)*(N,X)(A)2	EF60T199(E)*(N,X)(A)2
71	Keeper Latch & Catch	239-43239-00	239-43239-00	239-43239-00	239-43239-00
72	Screw 8-32 x 1/2 RHCR (2 Req'd)	239-41715-00	239-41715-00	239-41715-00	239-41715-00
73	Ignition Control Assembly	243-47149-01 (see page 16)	243-47149-01 (see page 16)	243-47149-01 (see page 16)	243-47149-01 (see page 16)
74	Surround Head-EF Comm.	243-45823-02	243-45823-02	243-45823-02	243-45823-02
75	Main Power Switch	239-43234-00	239-43234-00	239-43234-00	239-43234-00
76	Control Display-Resideo Integrated Control	415-46557-00	415-46557-00	415-46557-00	415-46557-00
77	Ring Combustion Surround	239-47305-02	239-47305-02	239-47305-02	239-47305-02
78	Combustion Surround Base	239-51296-02	239-51296-02	239-51296-02	239-51296-02
79	Integrated Control Display Harness	239-46617-00	239-46617-00	239-46617-00	239-46617-00
80	Strain Relief Bushing (Power Cord)	239-80372-00	239-80372-00	239-80372-00	239-80372-00

* Applies to all warranties



Item	Description	Model	Model	Model	Model
		EF160T120*(EN,SX)	EF100T150(E)*(N,X)(A)2	EF100T199(E)*(N,X)(A)2	EF100T250(E)*(N,X)(A)2
81	Control Panel	239-48060-00	239-48060-00	239-48060-00	239-48060-00
82	Integrated Control Board	415-46954-00	415-46954-00	415-46954-00	415-46954-00
83	Transformer	415-44072-01	415-44072-01	415-44072-01	415-44072-01
84	Ground Lug	239-80112-00	239-80112-00	239-80112-00	239-80112-00
85	Terminal Strip	239-80373-00	239-80373-00	239-80373-00	239-80373-00
86	Power Cord	239-44466-00	239-44466-00	239-44466-00	239-44466-00
87	Control Harness	239-46863-00	239-46863-00	239-46863-00	239-46863-00
88	Primary Harness	239-46531-00	239-46531-00	239-46531-00	239-46531-00
89	Secondary Harness	239-46530-00	239-46530-00	239-46530-00	239-46530-00
90	Blower Harness	239-46865-00	239-46865-00	239-46865-00	239-46865-00
91	Power Switch Harness	239-46864-00	239-46864-00	239-46864-00	239-46864-00
92	Sensor Wire 19" Black	239-38951-65	239-38951-65	239-38951-65	239-38951-65
93	High Voltage Spark Cable	239-46861-00	239-46861-00	239-46861-00	239-46861-00
94	Integrated Control Board Display Harness	239-46944-00	239-46944-00	239-46944-00	239-46944-00
95	Screw #8-18 x 1/2 PHCR (3 Req'd)	239-43736-00	239-43736-00	239-43736-00	239-43736-00
96	Rectifier Harness EF	239-43571-00	239-43571-00	239-43571-00	239-43571-00

* Applies to all warranties



Item	Description	Model	Model	Model	Model
		EF100T300(E)*(N,X)(A)2	EF60T125(E)*(N,X)(A)2	EF60T150(E)*(N,X)(A)2	EF60T199(E)*(N,X)(A)2
81	Control Panel	239-48060-00	239-48060-00	239-48060-00	239-48060-00
82	Integrated Control Board	415-46954-00	415-46954-00	415-46954-00	415-46954-00
83	Transformer	415-44072-01	415-44072-01	415-44072-01	415-44072-01
84	Ground Lug	239-80112-00	239-80112-00	239-80112-00	239-80112-00
85	Terminal Strip	239-80373-00	239-80373-00	239-80373-00	239-80373-00
86	Power Cord	239-44466-00	239-44466-00	239-44466-00	239-44466-00
87	Control Harness	239-46863-00	239-46863-00	239-46863-00	239-46863-00
88	Primary Harness	239-46531-00	239-46531-00	239-46531-00	239-46531-00
89	Secondary Harness	239-46530-00	239-46530-00	239-46530-00	239-46530-00
90	Blower Harness	239-46865-00	239-46865-00	239-46865-00	239-46865-00
91	Power Switch Harness	239-46864-00	239-46864-00	239-46864-00	239-46864-00
92	Sensor Wire 19" Black	239-38951-65	239-38951-65	239-38951-65	239-38951-65
93	High Voltage Spark Cable	239-46861-00	239-46861-00	239-46861-00	239-46861-00
94	Integrated Control Board Display Harness	239-46944-00	239-46944-00	239-46944-00	239-46944-00
95	Screw-#8-18 x 1/2 PHCR (3 Req'd)	239-43736-00	239-43736-00	239-43736-00	239-43736-00
96	Rectifier Harness EF	239-43571-00	239-43571-00	239-43571-00	239-43571-00

* Applies to all warranties



United States

Sales 1-800-523-2931
Technical Support 1-800-334-3393
Email techsupport@bradfordwhite.com
Warranty 1-800-531-2111
Email warranty@bradfordwhite.com
Service Parts 1-800-538-2020
Email parts@bradfordwhite.com

Canada

Sales 1-866-690-0961 1-905-203-0600
Fax 905-636-0666
Warranty 1-800-531-2111
Email warranty@bradfordwhite.com
Technical Support 1-800-334-3393
Email techsupport@bradfordwhite.com
Service Parts and Orders ca.orders@bradfordwhite.com

For U.S. and Canada field service, contact your professional installer or local Bradford White sales representative.

International

General Contact international@bradfordwhite.com