



COMMERCIAL GAS REPLACEMENT PARTS LIST

Electronic Ignition Models



Models Covered:
D65T625*(N,X)(A)
D80T725*(N,X)(A)
*Denotes warranty year

Includes Hydrojet®
Total Performance System

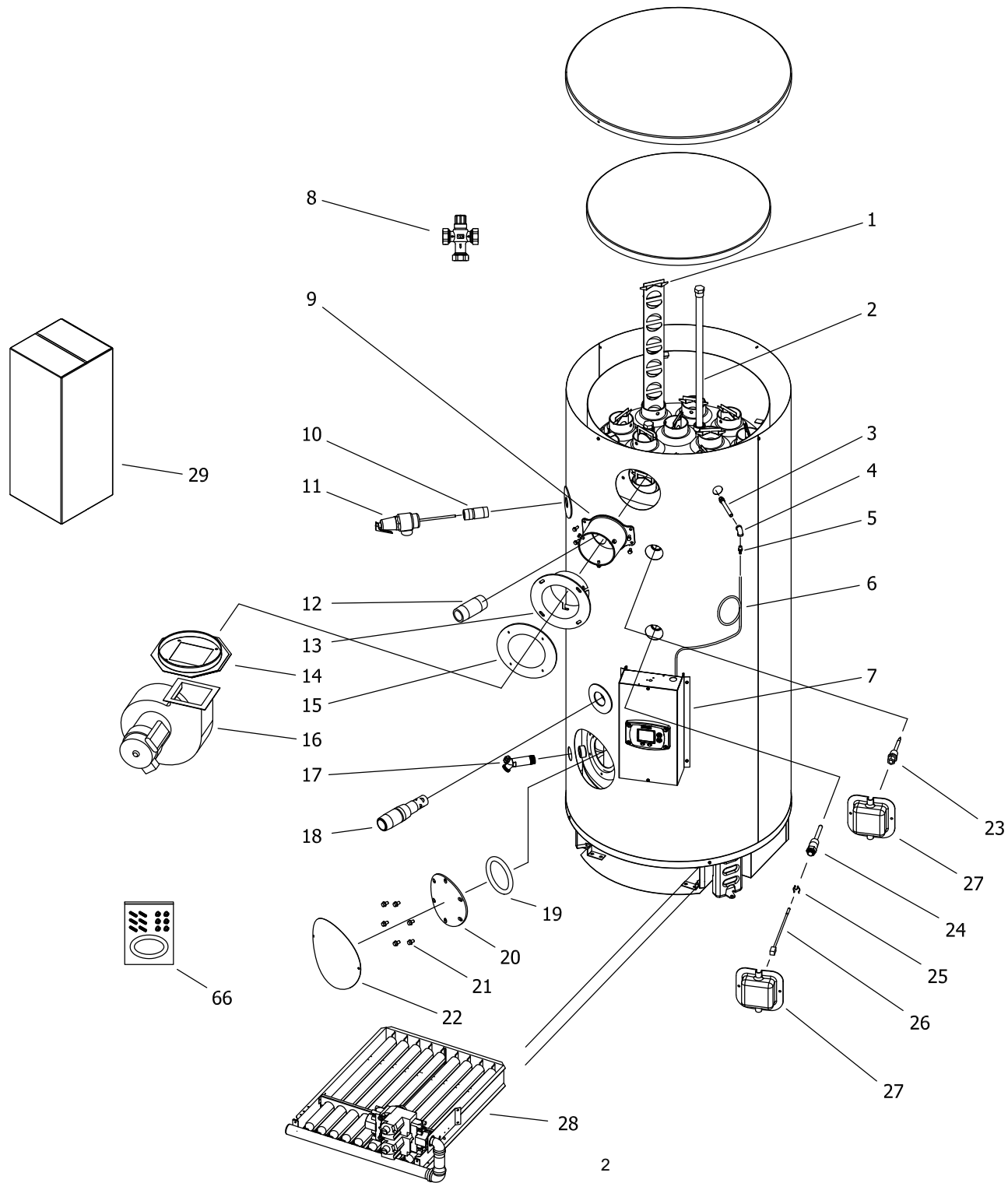
Effective: November, 2024
ECO 8780

**NOTE: BOTH MODEL AND SERIAL
NUMBERS ARE REQUIRED FOR
ORDERING REPLACEMENT PARTS**

Dimensions and specifications
subject to change without notice.

WARNING
CANCER AND REPRODUCTIVE HARM
WWW.P65WARNINGS.CA.GOV

As required by the state of California Proposition 65.



Item	Description	Model	Model
		D65T625*(N,X)(A)	D80T725*(N,X)(A)
1	Flue Baffle	243-42718-00	243-42718-00
2	Anode-hex head (magnesium)#	415-55483-00	415-55483-00
	Anode-hex head (aluminum) #	415-55485-00	415-55485-00
	Anode-hex head (A420 Aluminum)#	415-55487-00	415-55487-00
3	Bulk Head Fitting	239-81333-00	239-81333-00
4	1/8 NPT Elbow	239-44368-00	239-44368-00
5	Hose Barb 1/8-27 NPT X 3/16" hose	239-53526-00	239-53526-00
6	Silicone Hose	239-41718-00	239-41718-00
7	Control Box Assembly	243-46622-01	243-46622-02
8	ASSE Approved Mixing Valve (Optional)	239-51778-00	239-51778-00
9	Blower Transition	239-81078-00	239-81078-00
10	T/P Nipple	229-32762-19	229-32762-19
11	T/P Valve	415-33630-04	415-33630-04
12	Hot Water Outlet Nipple	229-40913-02	229-40913-02
13	Blower Flange Mount ¹	239-81077-00	239-81077-00
14	Vent Adaptor ¹	239-81108-00	239-81108-00
15	Flange Gasket ¹	239-81161-00	239-81161-00
16	Blower ¹	239-41503-00	239-51483-00
17	Drain Valve (Brass)	415-42351-04	415-42351-04
18	Cold Water Inlet Nipple (Hydrojet)	415-44731-00	415-44731-00
19	Cleanout Gasket	205-18427-00	205-18427-00
	Cleanout Gasket (ASME)	205-32942-00	205-32942-00
20	Cleanout Cover	205-18428-00	205-18428-00
	Cleanout Cover (ASME)	205-32941-00	205-32941-00
21	Screw 5/16-18 X 1/2 Hex	239-82166-00	239-82166-00
21	Screw 5/16-18 X 3/4 Hex (ASME)	239-32970-00	239-32970-00
22	Cleanout Cover Jacket	243-20299-00	243-20299-00
23	Upper Thermostat	415-82033-00	415-82033-00
24	Lower Thermostat Well	233-46558-02	233-46558-02
25	Clip for Lower Thermostat	233-45242-00	233-45242-00
26	Lower Thermostat Sensor	415-46553-02	415-46553-02
27	Utility Cover	239-80281-03	239-80281-03
28	Burner Assembly (Natural Gas) **	243-39322-07	243-39322-09
	Burner Assembly (LP Gas) **	243-39322-08	243-39322-10
29	Blower replacement kit	265-82085-02	265-82085-03

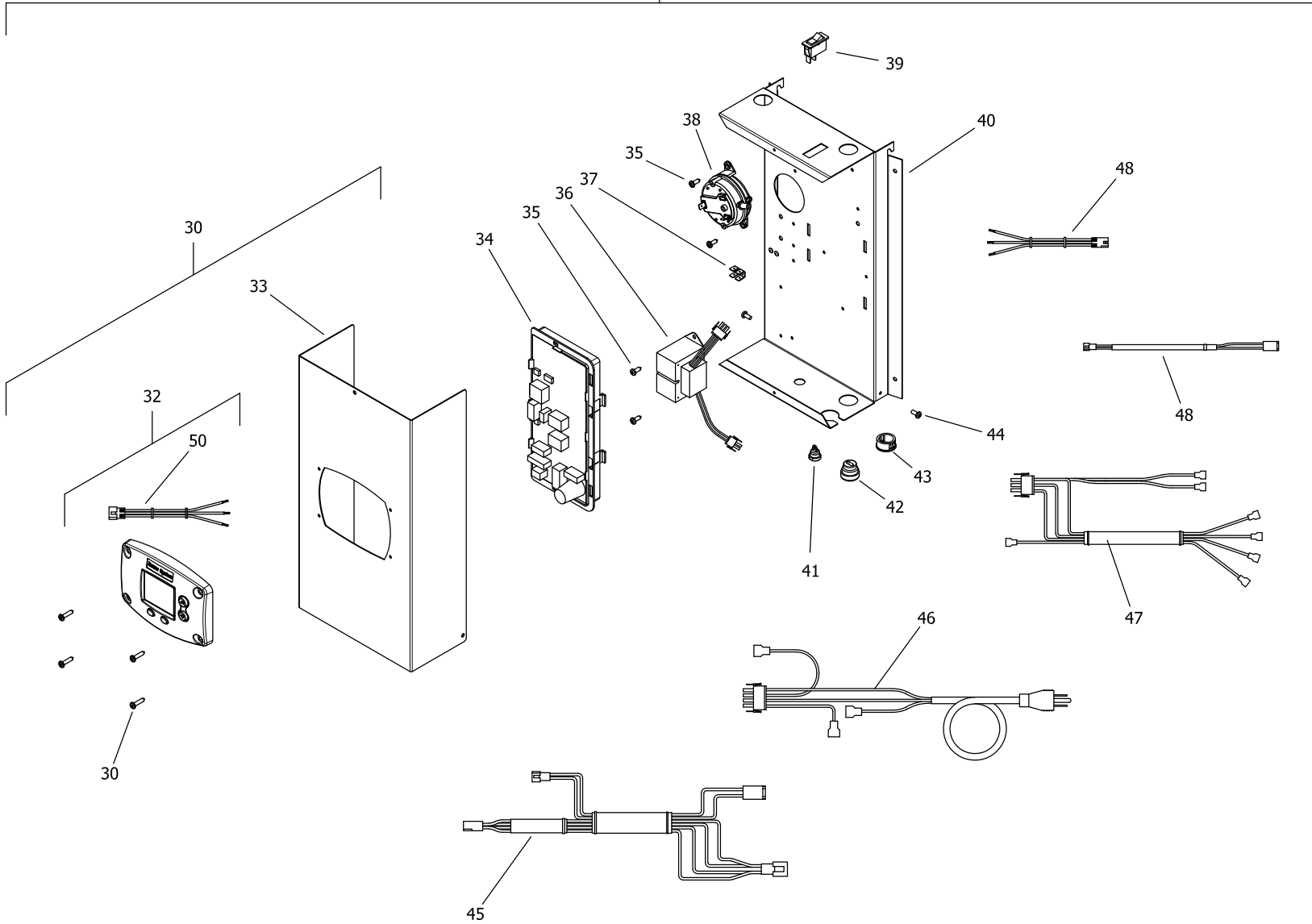
*Applies to all warranties

**Ordering a complete burner assembly may increase delivery time. Please order the specific component required for the quickest delivery.

#Anode may need to be cut to length. See page 8.

¹Included in the blower assembly, item number 29.

7

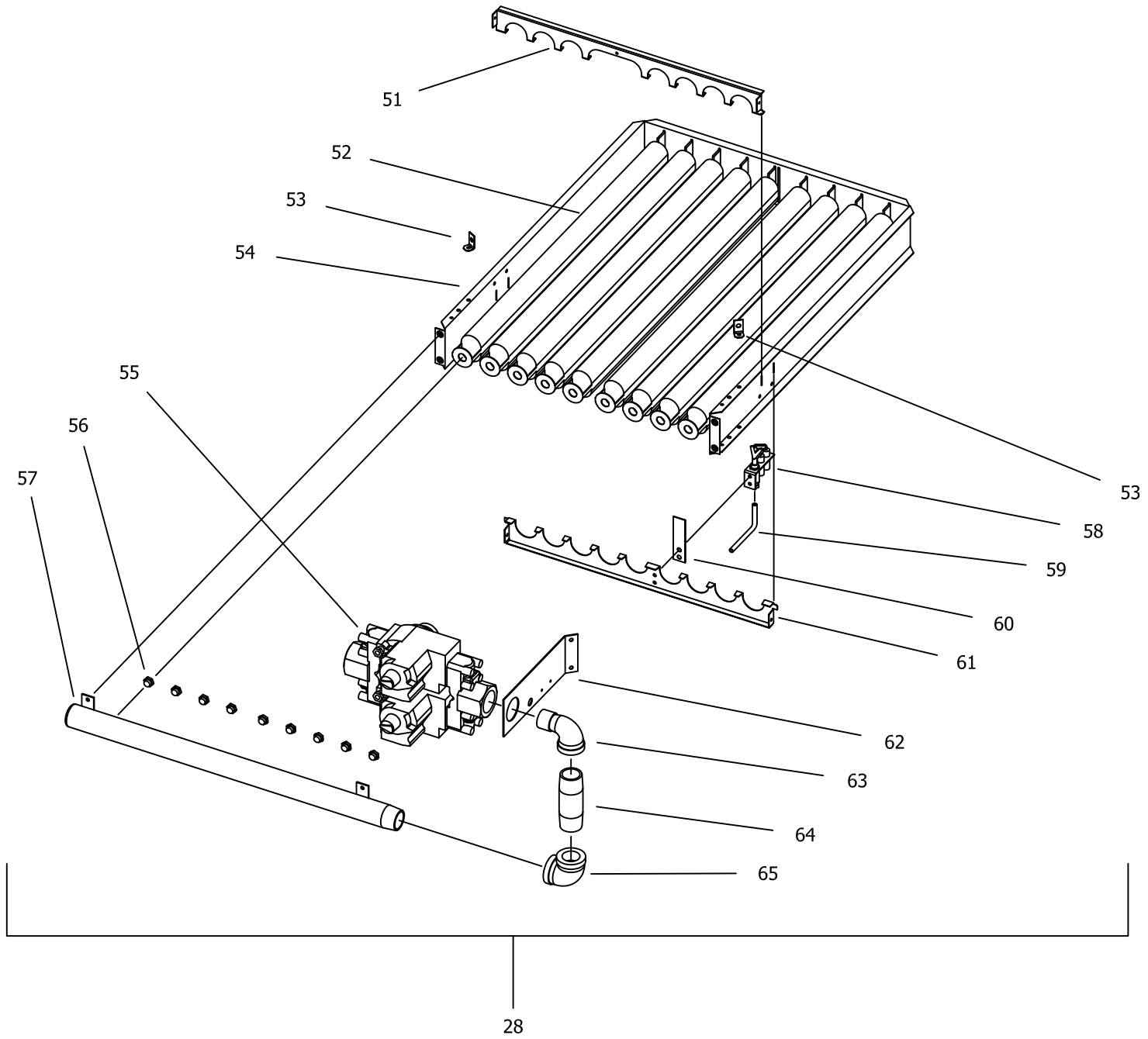


Item	Description	Model	Model
		D65T625*(N,X)(A)	D80T725*(N,X)(A)
30	Control Box Cover Assembly	243-46615-02	243-46615-02
31	Screw #8-18 X 3/4 Pan Head CR	239-43863-00	239-43863-00
32	Resideo Temperature Control Display w/ harness	415-46557-00	415-46557-00
33	Control Box Cover	239-46509-00	239-46509-00
34	Integrated Control Board	233-46627-00	233-46627-00
35	Screw #8-18 X 1/2 Pan Head CR	239-43736-00	239-43736-00
36	Transformer 110V (with built in leads)	233-50559-00	233-50559-00
37	Terminal ES-4	239-80112-00	239-80112-00
38	Pressure Switch	415-44064-01	239-44064-02
39	Power On/Off Switch	239-49391-00	239-49391-00
40	Control Box Panel	239-46508-00	239-46508-00
41	Strain Relief Bushing 1/2"	239-44575-00	239-44575-00
42	Strain Relief Bushing 7/8"	239-80372-00	239-80372-00
43	Snap-in Bushing 7/8"	239-80406-00	239-80406-00
44	Screw 8/32 X 5/16 Pan Head CR w/adh.	239-46522-00	239-46522-00
45	Damper Wiring Harness	239-46525-02	239-46525-02
46	Power Cord Wiring Harness	239-46533-00	239-46533-00
47	Gas Valve Control Wiring Harness	239-46534-01	239-46534-01
48	Upper Sensor Harness	239-46623-02	239-46623-01
49	Display Control Wiring Harness	239-46944-00	239-46944-00
50	Display Cover Wiring Harness	239-46617-00	239-46617-00

*Applies to all warranties

**Ordering a complete burner assembly may increase delivery time. Please order the specific component required for the quickest delivery.

#Anode may need to be cut to length. See page 8.



Item	Description	Model	Model
		D65T625*(N,X)(A)	D80T725*(N,X)(A)
51	Burner Panel	239-39421-00	239-39421-00
52	Burner Tube	228-39177-00	228-39177-00
53	Burner Mounting Bracket	239-39260-00	239-39260-00
54	Burner Rack	239-81969-03	239-81969-03
55	Dual Gas Valve Assembly (Natural Gas)	415-81608-03	415-81608-03
	Dual Gas Valve Assembly (LP Gas)	415-81608-04	415-81608-04
56	Main Burner Orifice (Natural Gas) (0ft to 2000ft)	234-06016-25 (Qty 9)	234-06016-20 (Qty 9)
	High Altitude Orifice (Natural Gas) (2001ft to 5000ft)	234-06016-28 (Qty 9)	234-06016-25 (Qty 9)
	High Altitude Orifice (Natural Gas) (5001ft to 8000ft)	234-06016-30 (Qty 9)	234-06016-28 (Qty 9)
	High Altitude Orifice (Natural Gas) (8001ft & above)	234-06016-30 (Qty 9)	234-06016-28 (Qty 9)
	Main Burner Orifice (LP Gas) (0ft to 2000ft)	234-06016-40 (Qty 9)	234-06016-70 (Qty 9)
	High Altitude Orifice (LP Gas) (2001ft to 5000ft)	234-06016-42 (Qty 9)	234-06016-39 (Qty 9)
	High Altitude Orifice (LP Gas) (5001ft to 8000ft)	234-06016-44 (Qty 9)	234-06016-42 (Qty 9)
	High Altitude Orifice (LP Gas) (8001ft & above)	234-06016-44 (Qty 9)	234-06016-42 (Qty 9)
57	Manifold (Natural Gas)	233-39171-00	233-39171-00
	Manifold (LP Gas)	233-39173-00	233-39173-00
58	Pilot Assembly (Natural Gas)	415-41323-01	415-41323-01
	Pilot Assembly (LP Gas)	415-41323-02	415-41323-02
59	Aluminum Tubing	233-80361-01	233-80361-01
60	Pilot Draft Shield	239-81116-00	239-81116-00
61	Burner Support	239-39259-00	239-39259-00
62	Valve Support Bracket (Natural Gas)	239-81816-01	239-81816-01
	Valve Support Bracket (LP Gas)	239-81816-02	239-81816-02
63	1" NPT Street Elbow (Natural Gas Only)	239-19636-00	239-19636-00
64	1" NPT X 3 1/2" Nipple (Natural Gas Only)	239-81595-00	239-81595-00
65	1" NPT Elbow (Natural Gas Only)	239-19637-00	239-19637-00
-	LP to Natural Gas Conversion Kit	265-46034-02	265-46034-05
66	Kit-Cleanout (Not For Use With ASME Tanks)	415-54256-00	415-54256-00

*Applies to all warranties

**Ordering a complete burner assembly may increase delivery time. Please order the specific component required for the quickest delivery.

#Anode may need to be cut to length. See page 8.



United States

Sales 1-800-523-2931
Technical Support 1-800-334-3393
Email techsupport@bradfordwhite.com
Warranty 1-800-531-2111
Email warranty@bradfordwhite.com
Service Parts 1-800-538-2020
Email parts@bradfordwhite.com

Canada

Sales 1-866-690-0961 1-905-203-0600
Fax 905-636-0666
Warranty 1-800-531-2111
Email warranty@bradfordwhite.com
Technical Support 1-800-334-3393
Email techsupport@bradfordwhite.com
Service Parts and Orders ca.orders@bradfordwhite.com

For U.S. and Canada field service, contact your professional installer or local Bradford White sales representative.

International

General Contact international@bradfordwhite.com