



RESIDENTIAL AND LIGHT DUTY COMMERCIAL GAS REPLACEMENT PARTS LIST

Non-Defender Energy Saver M(I,1,2)(XR)75 Gallon Light Duty Energy Saver (Serial # FD11847877 and after)



Models Covered:
75T80(B,S)*(N,X)
M2XR75S*(BN,SX)
MI75S*(BN,SX)
*Denotes warranty year

Includes Hydrojet®
Total Performance System

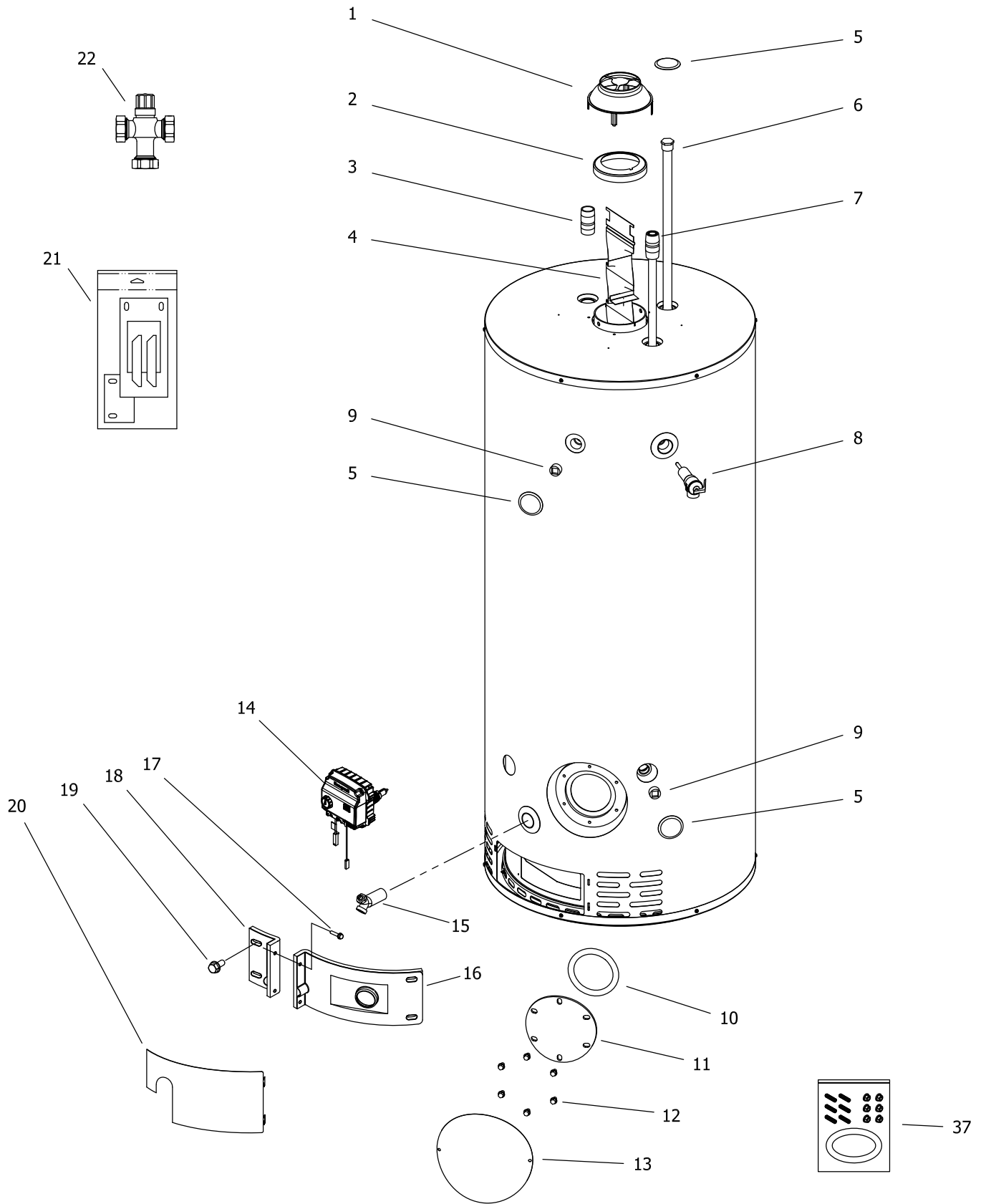
Effective: October, 2024
ECO 8780

**NOTE: BOTH MODEL AND SERIAL
NUMBERS ARE REQUIRED FOR
ORDERING REPLACEMENT PARTS**

Dimensions and specifications
subject to change without notice.



As required by the state of California Proposition 65.



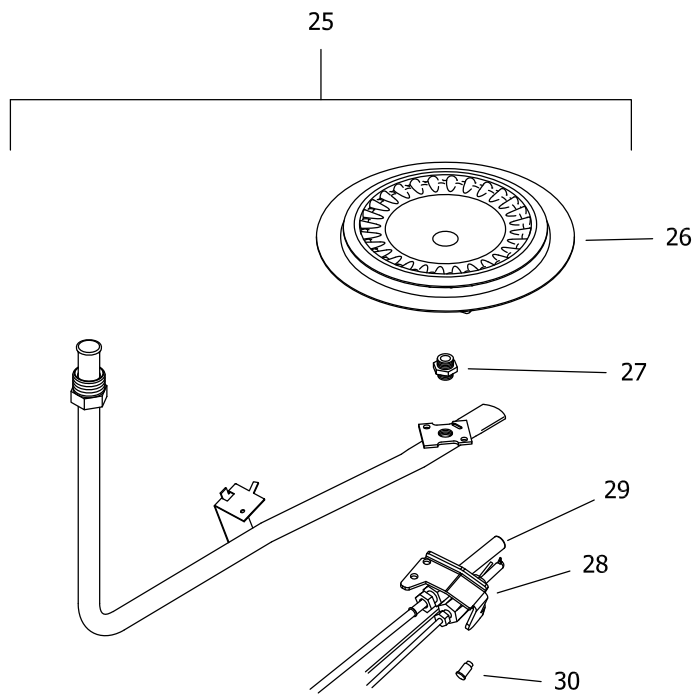
Item	Description	Model	Model	Model
		75T80(B,S)*(N,X)	M2XR75S*(BN,SX)	MI75S*(BN,SX)
1	Draft Diverter	239-12950-00	239-12950-00	239-12950-00
2	Flue Reducer	243-36920-00	243-36920-00	243-36920-00
3	Hot Water Outlet	415-50053-02	415-50053-02	415-50053-02
4	Flue Baffle w/ Flue Reducer	243-47379-00	243-47379-00	243-47379-00
5	Hole Closure	239-31547-02	239-31547-02	239-31547-02
6	Hex Head Anode Magnesium #	415-55483-00	415-55483-00	415-55483-00
	Hex Head Anode Aluminum (Optional) #	415-55485-00	415-55485-00	415-55485-00
7	Cold Water Inlet Diptube Polysulfone	415-47040-01	415-47040-01	415-47040-01
8	T&P Relief Valve	415-40594-02	415-40594-02	415-40594-02
9	3/4" NPT Square Socket Plug	239-11638-00	239-11638-00	239-11638-00
10	Cleanout O-Ring Gasket	205-18427-00	---	---
11	Cleanout Cover	205-18428-00	---	---
12	Cleanout Cover Screw 5/16-18 x 1/2" Hex (qty. 6)	239-82166-00	---	---
13	Cleanout Access Cover	243-20299-00	---	---
14	ICON Gas Control v2 Direct Replacement Natural Gas	415-53361-05	415-53361-03	415-53361-01
	ICON Gas Control v2 Direct Replacement LP Gas	415-53361-06	415-53361-04	415-53361-02
15	Brass Drain Valve	415-48070-02	415-48070-02	415-48070-01
16	Right Side Inner Door (with Gasket)	239-47504-22	239-47504-22	239-47504-22
17	Screw-8-15 X 3/4 INHXWS Slot	239-44195-00	239-44195-00	239-44195-00
18	Left Side Inner Door (with Gasket)	239-43968-20	239-43968-20	239-43968-20
19	Screw-#10-12 x 3/4 HWH	239-52581-00	239-52581-00	239-52581-00
20	Outer Door	243-43962-00	243-43962-00	243-43962-00
21	Kit-Inner Door Gasket	239-47792-00	239-47792-00	239-47792-00
22	ASSE Approved Mixing Device (optional)	239-51778-00	239-51778-00	239-51778-00
37	Kit-Cleanout (Not For Use With ASME Tanks)	415-54256-00	---	---

* All warranties

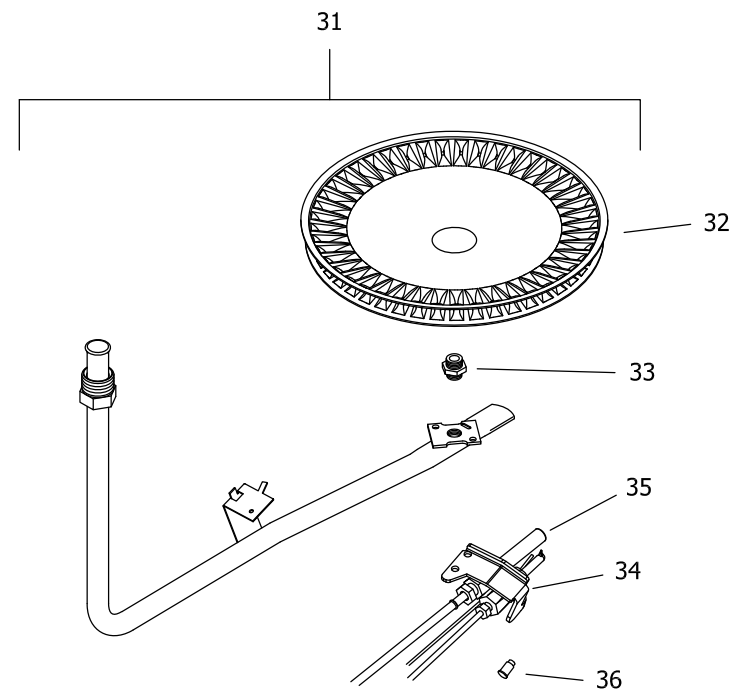
** Ordering a complete burner assy may increase delivery time.

Please order the specific component req'd for the quickest delivery

Anode may need to be cut to length. See page 6.



NATURAL GAS (BN) BURNER ASSEMBLY



LP GAS (SX) BURNER ASSEMBLY

Item	Description	Model	Model	Model
		75T80(B,S)*(N,X)	M2XR75S*(BN,SX)	MI75S*(BN,SX)
Natural Gas BN Burner Assembly				
25	Nat. Gas Burner Assembly Complete** †	265-47427-02-22	265-47427-02-22	265-47427-01-22
	Nat. Gas Burner Assembly Complete** ‡	265-48110-05-22	265-48110-05-22	265-48110-04-22
26	Nat. Gas Burner	228-47000-00	228-47000-00	228-47000-00
27	Nat. Gas Main Burner Orifice (0ft to 2000ft)	234-41034-22	234-41034-22	234-41034-22
	Nat. Gas High Altitude (2001ft to 5000ft)	234-41034-26	234-41034-26	234-41034-26
	Nat. Gas High Altitude (5001ft to 8000ft)	234-41034-28	234-41034-28	234-41034-28
	Nat. Gas High Altitude (8001ft & above)	234-41034-29	234-41034-29	234-41034-29
28	Nat. Gas Pilot Assembly Kit †	415-47492-01	415-47492-01	415-47492-01
	Nat. Gas Pilot Assembly ‡ ▲	233-48077-03	233-48077-03	233-48077-03
29	Kit-Thermopile	265-47446-00	265-47446-00	265-47446-00
30	Nat. Gas Pilot Orifice (Resideo)	234-47098-01	234-47098-01	234-47098-01
LP Gas SX Burner Assembly				
31	LP Gas Burner Assembly Complete** †	265-47428-02-38	265-47428-02-38	265-47428-01-38
	LP Gas Burner Assembly Complete** ‡	265-48254-02-38	265-48254-02-38	265-48254-01-38
32	LP Gas SX Burner	228-46938-00	228-46938-00	228-46938-00
33	LP Gas Main Burner Orifice (0ft to 2000ft)	234-47064-38	234-47064-38	234-47064-38
	LP Gas High Altitude (2001ft to 5000ft)	234-47064-41	234-47064-41	234-47064-41
	LP Gas High Altitude (5001ft to 8000ft)	234-47064-43	234-47064-43	234-47064-43
	LP Gas High Altitude (8001ft & above)	234-47064-44	234-47064-44	234-47064-44
34	LP Gas Pilot Assembly Kit †	415-47492-02	415-47492-02	415-47492-02
	LP Gas Pilot Assembly ‡ ▲	233-48078-03	233-48078-03	233-48078-03
35	Kit-Thermopile	265-47446-00	265-47446-00	265-47446-00
36	LP Gas Pilot Orifice	234-47098-02	234-47098-02	234-47098-02
-	Kit-LP to NAT Conversion (0ft to 2000 ft) †	265-47452-12	265-47452-16	265-47452-11
-	Kit-LP to NAT Conversion (2001ft to 5000ft) †	265-47452-14	265-47452-15	265-47452-13
-	Kit-LP to NAT Conversion (0ft to 2000ft) ‡	265-53403-09	265-53403-07	265-53403-05
-	Kit-LP to NAT Conversion (2001ft to 5000ft) ‡	265-53403-10	265-53403-08	265-53403-06

* All warranties

** Ordering a complete burner assy may increase delivery time.

Please order the specific component req'd for the quickest delivery

▲ Inner door gasket kit recommended.

† Serial # prior to FM12732764.

‡ Serial # after FM12732764.



United States

Sales 1-800-523-2931
Technical Support 1-800-334-3393
Email techsupport@bradfordwhite.com
Warranty 1-800-531-2111
Email warranty@bradfordwhite.com
Service Parts 1-800-538-2020
Email parts@bradfordwhite.com

Canada

Sales 1-866-690-0961 1-905-203-0600
Fax 905-636-0666
Warranty 1-800-531-2111
Email warranty@bradfordwhite.com
Technical Support 1-800-334-3393
Email techsupport@bradfordwhite.com
Service Parts and Orders ca.orders@bradfordwhite.com

For U.S. and Canada field service, contact your professional installer or local Bradford White sales representative.

International

General Contact international@bradfordwhite.com