



Residential & Light Duty Commercial Gas Replacement Parts List

High-Input Direct Vent Energy Saver Models



Models Covered:
DH1 Series
DH Series

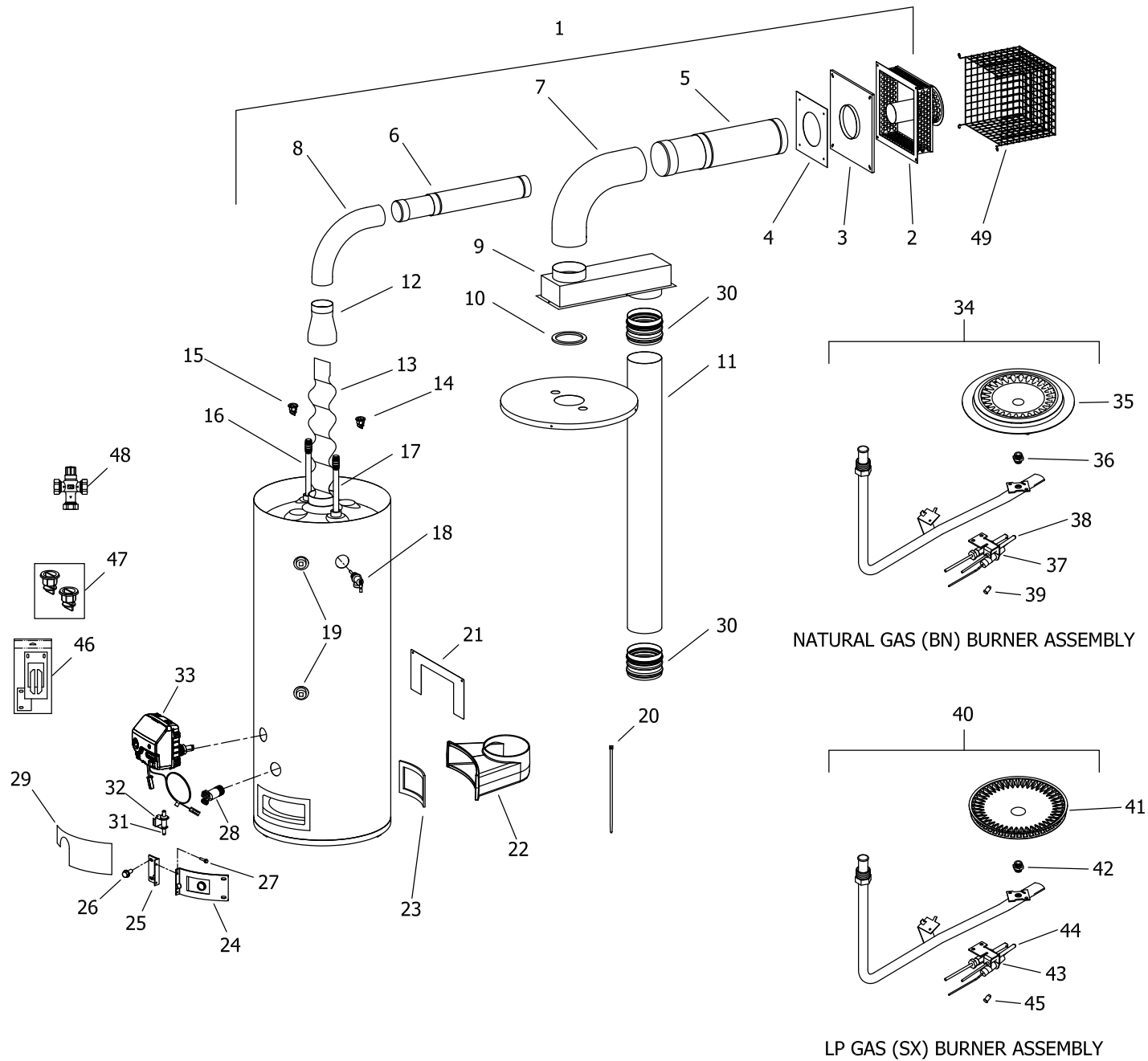
Effective: October, 2024
ECO 8780

**NOTE: BOTH MODEL AND SERIAL
NUMBERS ARE REQUIRED FOR
ORDERING REPLACEMENT PARTS**

Dimensions and specifications
subject to change without notice.

WARNING
CANCER AND REPRODUCTIVE HARM
WWW.P65WARNINGS.CA.GOV

As required by the state of California Proposition 65.



LP GAS (SX) BURNER ASSEMBLY TO REPLACE LP GAS (CX) BURNER ASSEMBLY
ON ALL MODELS EXCEPT 75 GAL.

| Item | Description | Model | Model | Model | Model |
|------|---|----------------------------|--|----------------------------|--|
| | | DH50T50F (B*N,C*X, S*X) | DH50T50F(B*N, S*X) (-ONLY,-FLEX,-SOLID) | DH65T55F (B*N,C*X, S*X) | DH65T55F(B*N, S*X) (-ONLY,-FLEX,-SOLID) |
| 1 | Aluminum Vent Kit (Solid)† | 239-42980-00 | 415-48914-00 | 239-42980-00 | 415-48914-00 |
| | Aluminum Vent Kit (Flexible) | --- | 415-48915-00 | --- | 415-48915-00 |
| | White Vent Kit Package (Solid) | 239-45412-00 | 239-45412-00 | 239-45412-00 | 239-45412-00 |
| | Brown Vent Kit (Solid) | 239-42979-00 | 239-42979-00 | 239-42979-00 | 239-42979-00 |
| 2 | Direct Vent-Air Intake Terminal (Aluminum)(Flexible & Solid)† | 239-42274-00 | 239-42274-00 | 239-42274-00 | 239-42274-00 |
| | Direct Vent-Air Intake Terminal (Brown)(Flexible & Solid) | 239-42832-00 | 239-42832-00 | 239-42832-00 | 239-42832-00 |
| | Direct Vent-Air Intake Terminal (White)(Flexible & Solid) | 239-45413-00 | 239-45413-00 | 239-45413-00 | 239-45413-00 |
| 3 | Outer Wall Mounting Plate (Aluminum)(Flexible & Solid)† | 239-42447-00 | 239-42447-00 | 239-42447-00 | 239-42447-00 |
| | Outer Wall Mounting Plate (Brown)(Flexible & Solid) | 239-42833-00 | 239-42833-00 | 239-42833-00 | 239-42833-00 |
| | Outer Wall Mounting Plate (White)(Flexible & Solid) | 239-45414-00 | 239-45414-00 | 239-45414-00 | 239-45414-00 |
| 4 | Backing Plate | 239-42449-00 | 239-42449-00 | 239-42449-00 | 239-42449-00 |
| 5 | 6" Diameter Telescopic Air Intake Tube (Solid Only) | 239-42459-00 | 239-42459-00 | 239-42459-00 | 239-42459-00 |
| 6 | 4" Diameter Telescopic Vent Tube (Solid Only) | 239-42460-00 | 239-42460-00 | 239-42460-00 | 239-42460-00 |
| 7 | 6" Diameter Elbow (Solid Only) | 239-42067-00 | 239-42067-00 | 239-42067-00 | 239-42067-00 |
| 8 | 4" Diameter Elbow (Solid Only) | 239-42068-00 | 239-42068-00 | 239-42068-00 | 239-42068-00 |
| 9 | Plenum | 239-47668-01 | 239-47668-01 | --- | --- |
| 10 | Plenum Gasket | 239-41070-02 | 239-41070-02 | 239-41070-02 | 239-41070-02 |
| 11 | Air Intake Tube (Vertical) | --- | --- | --- | --- |
| 12 | Flue Reducer | 239-42066-00 | 239-42066-00 | 239-42066-00 | 239-42066-00 |
| 13 | Flue Baffle | --- | --- | --- | --- |
| 14 | Heat Trap Insert (Inlet) | 415-45073-00 | 415-45073-00 | 415-45073-00 | 415-45073-00 |
| 15 | Heat Trap Insert (Outlet) | 415-45167-00 | 415-45167-00 | 415-45167-00 | 415-45167-00 |
| 16 | Hot Water Outlet Magnesium Anode ▲ | 415-55482-00 | 415-55482-00 | 415-55482-00 | 415-55482-00 |
| | Aluminum Anode ▲ | 415-55484-00 | 415-55484-00 | 415-55484-00 | 415-55484-00 |
| | A420 Aluminum Anode ▲ # | 415-55486-00 | 415-55486-00 | 415-55486-00 | 415-55486-00 |
| 17 | Cold Water Inlet Dip Tube Polypropylene ▲ ▲ | 415-51230-17 | 415-51230-17 | 415-51230-16 | 415-51230-16 |
| | Polysulfone (NC Code) ▲ ▲ | 415-51230-02 | 415-51230-02 | 415-51230-16 | 415-51230-16 |
| 18 | T&P Relief Valve | 415-32920-01 | 415-32920-01 | 415-32920-01 | 415-32920-01 |
| 19 | 3/4 NPT Plug | 239-11638-00 | 239-11638-00 | 239-11638-00 | 239-11638-00 |
| 20 | Wire Tie | 239-44328-00 | 239-44328-00 | 239-44328-00 | 239-44328-00 |
| 21 | Direct Vent Boot Escutcheon | 243-46922-00 | --- | 243-46922-00 | --- |
| 22 | Air Intake Boot | 239-47771-18 | 239-47771-18 | --- | --- |
| 23 | Air Intake Boot Gasket | w/ Intake Boot | w/ Intake Boot | --- | w/ Intake Boot |
| 24 | Right Side Inner Door w/Gasket | 239-45642-18 | 239-45642-18 | 239-45642-20 | 239-45642-20 |
| 25 | Left Side Inner Door w/Gasket | 239-43968-18 | 239-43968-18 | 239-43968-20 | 239-43968-20 |
| 26 | Screw-#10-12 x 3/4 HWH (Qty. 2) | 239-52581-00 | 239-52581-00 | 239-52581-00 | 239-52581-00 |
| 27 | Screw-#8-18 x 3/4 HWH (Qty. 5) | 239-44195-00 | 239-44195-00 | 239-44195-00 | 239-44195-00 |
| 28 | Brass Drain Valve Kit | 415-42351-02 | 415-42351-02 | 415-42351-02 | 415-42351-02 |
| 29 | Outer Door | 239-43962-00 | 239-43962-00 | 239-43962-00 | 239-43962-00 |
| 30 | Coupler (2 Required) ♦ | --- | 239-50102-00 | --- | 239-50102-00 |

*Applies to all warranties

**Inner door gasket kit recommended

***Ordering a complete burner assembly may increase delivery time. Please order the specific component required for the quickest delivery.

A420 Anode may need to be cut to length

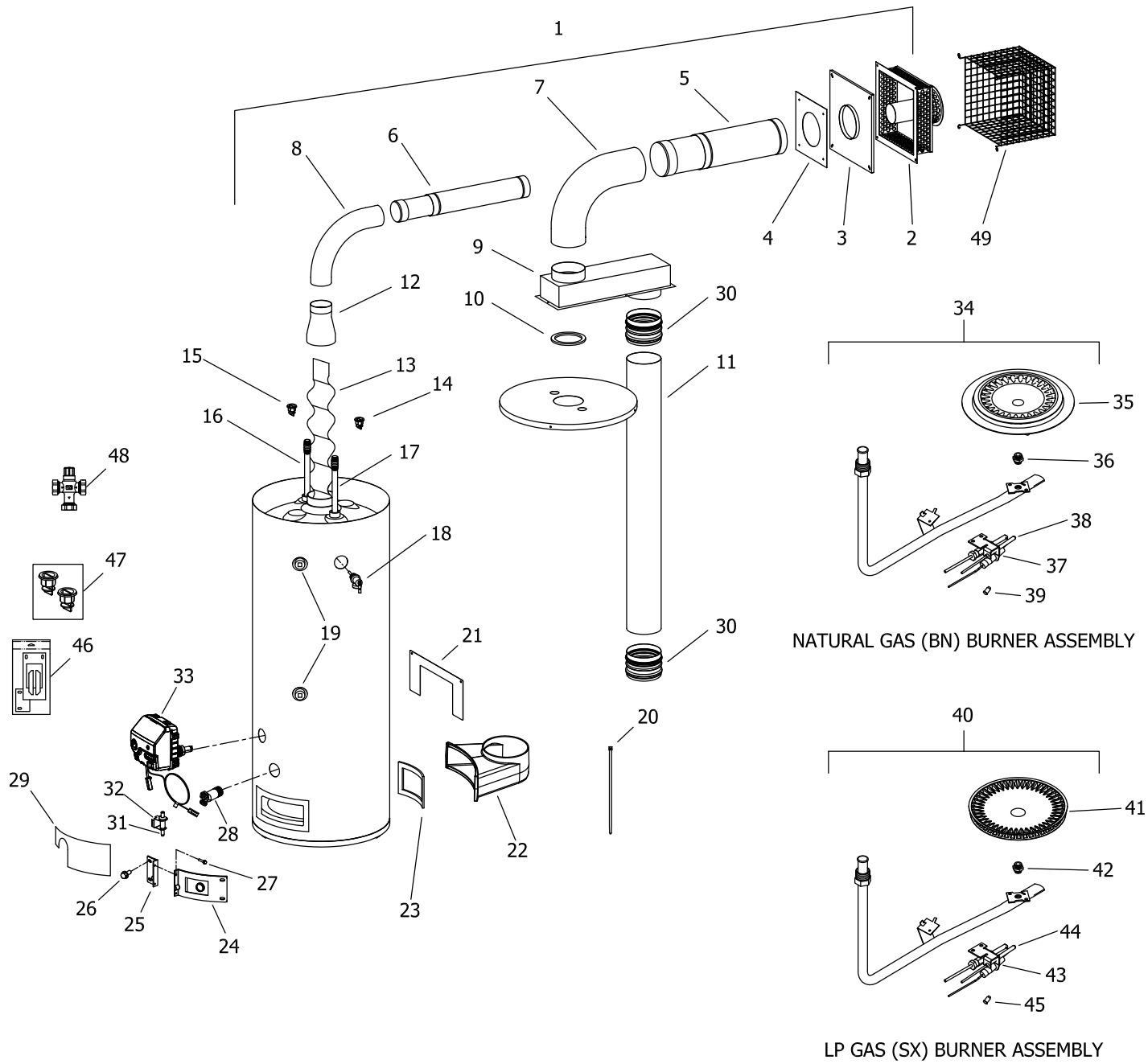
▲ Order with item 15

▲▲ Order with item 14

¹ For serial numbers PRIOR to FK12504331

² For serial numbers AFTER and INCLUDING FK12504331.

† Aluminum vent kits are standard



NATURAL GAS (BN) BURNER ASSEMBLY

LP GAS (SX) BURNER ASSEMBLY

LP GAS (SX) BURNER ASSEMBLY TO REPLACE LP GAS (CX) BURNER ASSEMBLY ON ALL MODELS EXCEPT 75 GAL.

| Item | Description | Model | Model | Model | Model |
|---------------------------------------|---|--|--|----------------------------|--|
| | | DH50T50F (B*N,C*X, S*X) | DH50T50F(B*N, S*X) (-ONLY,-FLEX,-SOLID) | DH65T55F (B*N,C*X, S*X) | DH65T55F(B*N, S*X) (-ONLY,-FLEX,-SOLID) |
| 31 | Piezo Igniter (White Rodgers) | 415-43448-00 | 415-43448-00 | 415-43448-00 | 415-43448-00 |
| 32 | Piezo Igniter Bracket (White Rodgers) | 239-46157-02 | 239-46157-02 | 239-46157-02 | 239-46157-02 |
| 33 | Gas Control Direct Replacement Natural Gas Kit | 415-52908-00 | 415-52908-00 | 415-52908-00 | 415-52908-00 |
| | Gas Control Direct Replacement LP Gas Kit | 415-52910-02 | 415-52910-02 | 415-52910-02 | 415-52910-02 |
| | Gas Control Universal Replacement Natural Gas Kit | 415-52908-02 | 265-47970-01-31 ¹ | 415-52908-02 | 415-52908-02 |
| | Gas Control Universal Replacement LP Gas Kit | 415-52910-02 | 415-52910-02 | 415-52910-02 | 415-52910-02 |
| Natural Gas BN Burner Assembly | | | | | |
| 34 | Nat. Gas Burner Assembly Complete*** | 265-47439-07-31 | 265-47970-01-31 ¹ | 265-47439-10-30 | 265-47970-02-30 ¹ |
| | Nat. Gas Burner Assembly Complete*** | --- | 265-48110-01-31 ² | --- | 265-48110-02-30 ² |
| 35 | Nat. Gas BN Burner** | 228-42506-00 | 228-42506-00 | 228-42506-00 | 228-42506-00 |
| 36 | Nat. Gas Main Burner Orifice** | 234-41034-31 | 234-41034-31 | 234-41034-30 | 234-41034-30 |
| | Nat. Gas High Altitude 2001 Ft. to 5000 Ft.** | 234-41034-33 | 234-41034-33 | 234-41034-31 | 234-41034-31 |
| | Nat. Gas High Altitude 5001 Ft. to 8000 Ft.** | 234-41034-36 | 234-41034-36 | 234-41034-32 | 234-41034-32 |
| | Nat. Gas High Altitude Over 8000 Ft.** | 234-41034-38 | 234-41034-38 | 234-41034-33 | 234-41034-33 |
| 37 | Nat. Gas Pilot Assembly (White Rodgers)** | 233-46277-04 | 233-46277-04 | 233-46277-04 | 233-46277-04 |
| | Nat. Gas Pilot Assembly (Resideo)** | 233-48077-03 | 233-48077-03 | 233-48077-03 | 233-48077-03 |
| 38 | Thermocouple (White Rodgers)** | 415-46501-24 | 415-46501-24 | 415-46501-24 | 415-46501-24 |
| 39 | Nat. Gas Pilot Orifice (White Rodgers)** | 234-46502-05 | 234-46502-05 | 234-46502-05 | 234-46502-05 |
| LP Gas SX Burner Assembly | | Replacement for LP Gas Cast Iron Burner | | | |
| 40 | LP Gas Burner Assembly Complete*** | 265-47440-12-47 | 265-47972-01-47 ¹ | 265-47440-18-46 | 265-47972-02-46 ¹ |
| | LP Gas Burner Assembly Complete*** | --- | 265-48303-01-47 ² | --- | 265-48303-02-46 ² |
| 41 | LP Gas SX Burner** | 228-47000-00 | 228-47000-00 | 228-47000-00 | 228-47000-00 |
| 42 | LP Gas SX Main Burner Orifice** | 234-47064-47 | 234-47064-47 | 234-47064-46 | 234-47064-46 |
| | LP Gas SX High Altitude 2001 Ft. to 5000 Ft.** | 234-47064-49 | 234-47064-49 | 234-47064-48 | 234-47064-48 |
| | LP Gas SX High Altitude 5001 Ft. to 8000 Ft.** | 234-47064-50 | 234-47064-50 | 234-47064-49 | 234-47064-49 |
| | LP Gas SX High Altitude Over 8000 Ft.** | 234-47064-51 | 234-47064-51 | 234-47064-50 | 234-47064-50 |
| 43 | LP Gas SX Pilot Assembly (White Rodgers)** | 233-46278-03 | 233-46278-03 | 233-46278-03 | 233-46278-03 |
| | LP Gas SX Pilot Assembly (Resideo)** | 233-48078-03 | 233-48078-03 | 233-48078-03 | 233-48078-03 |
| 44 | Thermocouple (White Rodgers)** | 415-46501-24 | 415-46501-24 | 415-46501-24 | 415-46501-24 |
| 45 | LP Gas SX Pilot Orifice (White Rodgers)** | 234-46502-02 | 234-46502-02 | 234-46502-02 | 234-46502-02 |
| 46 | Inner Door Gasket Kit | 239-44078-00 | 239-44078-00 | 239-44078-00 | 239-44078-00 |
| 47 | Heat Trap Insert Kit | 265-45419-00 | 265-45419-00 | 265-45419-00 | 265-45419-00 |
| 48 | ASSE Approved Mixing Valve (Optional) | 239-51778-00 | 239-51778-00 | 239-51778-00 | 239-51778-00 |
| 49 | Direct Vent-Air Intake Terminal Guard (Optional) | 415-41453-00 | 415-41453-00 | 415-41453-00 | 415-41453-00 |
| - | LP to Natural Gas Conversion Kit (Norm Alt.) | 265-53745-41 | 265-53745-61 | 265-53745-42 | 265-53745-62 |
| - | LP to Natural Gas Conversion Kit (High Alt.) | 265-53745-44 | 265-53745-64 | 265-53745-45 | 265-53745-65 |

*Applies to all warranties

**Inner door gasket kit recommended

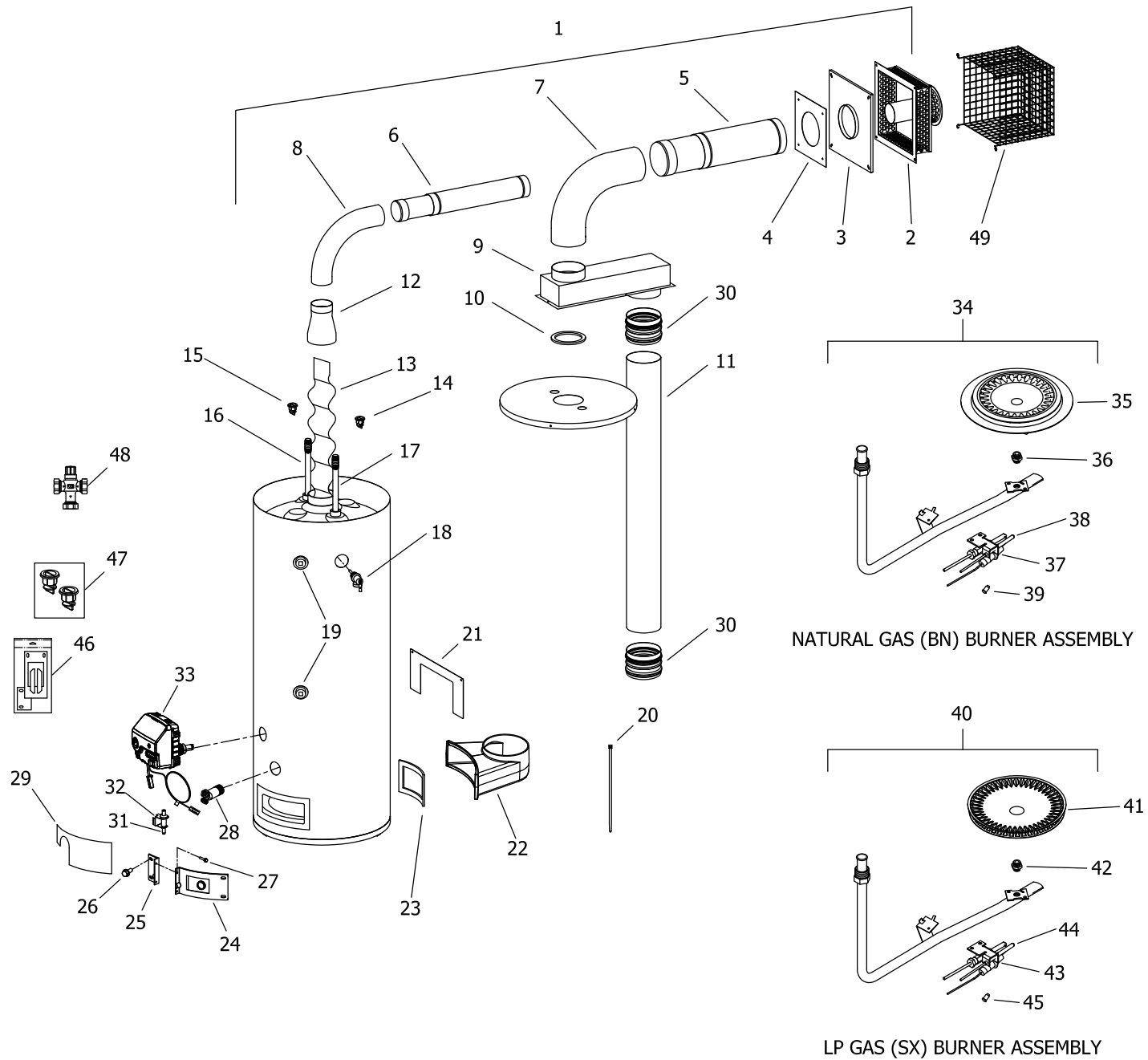
***Ordering a complete burner assembly may increase delivery time. Please order the specific component required for the quickest delivery.

▲ Order with item 15

▲▲ Order with item 14

¹ For serial numbers PRIOR to FK12504331

² For serial numbers AFTER and INCLUDING FK12504331.



LP GAS (SX) BURNER ASSEMBLY TO REPLACE LP GAS (CX) BURNER ASSEMBLY
ON ALL MODELS EXCEPT 75 GAL.

| Item | Description | Model DH75T60F (B*N,C*X, S*X) | Model DH75T60F(B*N,S*X) (-ONLY,-FLEX,-SOLID) | Model DH1504T*F (BN,CX, SX) | Model DH1504T*F(BN,SX) (-ONLY,-FLEX,-SOLID) |
|------|---|-------------------------------------|--|-----------------------------------|---|
| 1 | Aluminum Vent Kit (Solid)† | 239-42980-00 | 415-48914-00 | 239-42980-00 | 415-48914-00 |
| | Aluminum Vent Kit (Flexible) | --- | 415-48915-00 | --- | 415-48915-00 |
| | White Vent Kit Package (Solid) | 239-45412-00 | 239-45412-00 | 239-45412-00 | 239-45412-00 |
| | Brown Vent Kit (Solid) | 239-42979-00 | 239-42979-00 | 239-42979-00 | 239-42979-00 |
| 2 | Direct Vent-Air Intake Terminal (Aluminum)(Flexible & Solid)† | 239-42274-00 | 239-42274-00 | 239-42274-00 | 239-42274-00 |
| | Direct Vent-Air Intake Terminal (Brown)(Flexible & Solid) | 239-42832-00 | 239-42832-00 | 239-42832-00 | 239-42832-00 |
| | Direct Vent-Air Intake Terminal (White)(Flexible & Solid) | 239-45413-00 | 239-45413-00 | 239-45413-00 | 239-45413-00 |
| 3 | Outer Wall Mounting Plate (Aluminum)(Flexible & Solid)† | 239-42447-00 | 239-42447-00 | 239-42447-00 | 239-42447-00 |
| | Outer Wall Mounting Plate (Brown)(Flexible & Solid) | 239-42833-00 | 239-42833-00 | 239-42833-00 | 239-42833-00 |
| | Outer Wall Mounting Plate (White)(Flexible & Solid) | 239-45414-00 | 239-45414-00 | 239-45414-00 | 239-45414-00 |
| 4 | Backing Plate | 239-42449-00 | 239-42449-00 | 239-42449-00 | 239-42449-00 |
| 5 | 6" Diameter Telescopic Air Intake Tube (Solid Only) | 239-42459-00 | 239-42459-00 | 239-42459-00 | 239-42459-00 |
| 6 | 4" Diameter Telescopic Vent Tube (Solid Only) | 239-42460-00 | 239-42460-00 | 239-42460-00 | 239-42460-00 |
| 7 | 6" Diameter Elbow (Solid Only) | 239-42067-00 | 239-42067-00 | 239-42067-00 | 239-42067-00 |
| 8 | 4" Diameter Elbow (Solid Only) | 239-42068-00 | 239-42068-00 | 239-42068-00 | 239-42068-00 |
| 9 | Plenum | --- | --- | 239-47668-01 | 239-47668-01 |
| 10 | Plenum Gasket | 239-41070-02 | 239-41070-02 | 239-41070-02 | 239-41070-02 |
| 11 | Air Intake Tube (Vertical) | --- | --- | --- | --- |
| 12 | Flue Reducer | 239-42066-00 | 239-42066-00 | 239-42066-00 | 239-42066-00 |
| 13 | Flue Baffle | --- | --- | --- | --- |
| 14 | Heat Trap Insert (Inlet) | 415-45073-00 | 415-45073-00 | 415-45073-00 | 415-45073-00 |
| 15 | Heat Trap Insert (Outlet) | 415-45167-00 | 415-45167-00 | 415-45167-00 | 415-45167-00 |
| 16 | Hot Water Outlet Magnesium Anode▲ | 415-55482-00 | 415-55482-00 | 415-55482-00 | 415-55482-00 |
| | Aluminum Anode▲ | 415-55484-00 | 415-55484-00 | 415-55484-00 | 415-55484-00 |
| | A420 Aluminum Anode▲# | 415-55486-00 | 415-55486-00 | 415-55486-00 | 415-55486-00 |
| 17 | Cold Water Inlet Dip Tube Polypropylene▲▲ | 415-51230-16 | 415-51230-16 | 415-51230-15 | 415-51230-15 |
| | Polysulfone (NC Code)▲▲ | 415-51230-16 | 415-51230-16 | 415-51230-15 | 415-51230-15 |
| 18 | T&P Relief Valve | 415-32920-01 | 415-32920-01 | 415-32920-01 | 415-32920-01 |
| 19 | 3/4 NPT Plug | 239-11638-00 | 239-11638-00 | 239-11638-00 | 239-11638-00 |
| 20 | Wire Tie | 239-44328-00 | 239-44328-00 | 239-44328-00 | 239-44328-00 |
| 21 | Direct Vent Boot Escutcheon | 243-46922-00 | --- | 243-46922-00 | --- |
| 22 | Air Intake Boot | --- | --- | 239-47771-18 | 239-47771-18 |
| 23 | Air Intake Boot Gasket | --- | w/ Intake Boot | --- | w/ Intake Boot |
| 24 | Right Side Inner Door w/Gasket | 239-45642-20 | 239-47504-22 | 239-45642-18 | 239-45642-18 |
| 25 | Left Side Inner Door w/Gasket | 239-43968-20 | 239-43968-20 | 239-43968-18 | 239-43968-18 |
| 26 | Screw-#10-12 x 3/4 HWH (Qty. 2) | 239-52581-00 | 239-52581-00 | 239-52581-00 | 239-52581-00 |
| 27 | Screw-#8-18 x 3/4 HWH (Qty. 5) | 239-44195-00 | 239-44195-00 | 239-44195-00 | 239-44195-00 |
| 28 | Brass Drain Valve Kit | 415-42351-02 | 415-42351-02 | 415-42351-02 | 415-42351-02 |
| 29 | Outer Door | 239-43962-00 | 239-43962-00 | 239-43962-00 | 239-43962-00 |
| 30 | Coupler (2 Required)◆ | --- | 239-50102-00 | --- | 239-50102-00 |

*Applies to all warranties

**Inner door gasket kit recommended

***Ordering a complete burner assembly may increase delivery time. Please order the specific component required for the quickest delivery.

A420 Anode may need to be cut to length

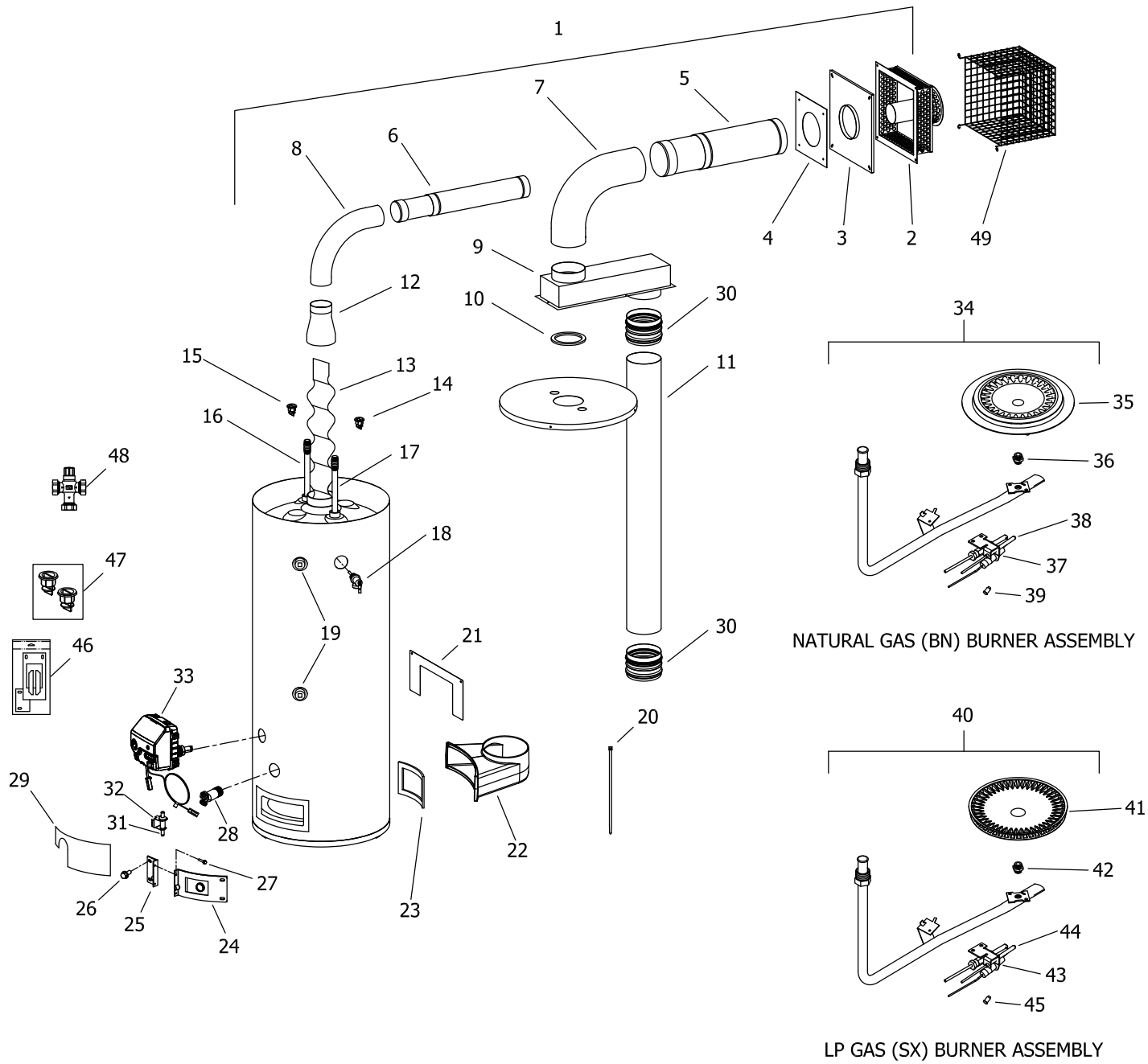
▲ Order with item 15

▲▲ Order with item 14

¹ For serial numbers PRIOR to FK12504331

² For serial numbers AFTER and INCLUDING FK12504331.

† Aluminum vent kits are standard



NATURAL GAS (BN) BURNER ASSEMBLY

LP GAS (SX) BURNER ASSEMBLY

LP GAS (SX) BURNER ASSEMBLY TO REPLACE LP GAS (CX) BURNER ASSEMBLY ON ALL MODELS EXCEPT 75 GAL.

| Item | Description | Model DH75T60F (B*N,C*X, S*X) | Model DH75T60F(B*N,S*X) (-ONLY,-FLEX,-SOLID) | Model DH1504T*F (BN,CX, SX) | Model DH1504T*F(BN,SX) (-ONLY,-FLEX,-SOLID) |
|---------------------------------------|---|-------------------------------------|--|-----------------------------------|---|
| 31 | Piezo Igniter (White Rodgers) | 415-43448-00 | 415-43448-00 | 415-43448-00 | 415-43448-00 |
| 32 | Piezo Igniter Bracket (White Rodgers) | 239-46157-02 | 239-46157-02 | 239-46157-02 | 239-46157-02 |
| 33 | Gas Control Direct Replacement Natural Gas Kit | 415-52908-00 | 415-52908-00 | 415-52908-00 | 415-52908-00 |
| | Gas Control Direct Replacement LP Gas Kit | 415-52910-02 | 415-52910-02 | 415-52909-01 | 415-52909-01 |
| | Gas Control Universal Replacement Natural Gas Kit | 415-52908-02 | 415-52908-02 | 415-53359-00 | 415-53359-00 |
| | Gas Control Universal Replacement LP Gas Kit | 415-52910-02 | 415-52910-02 | 415-53360-00 | 415-53360-00 |
| Natural Gas BN Burner Assembly | | | | | |
| 34 | Nat. Gas Burner Assembly Complete*** | 265-43971-06-29 | 265-47970-03-29 ¹ | 265-47439-07-31 | 265-47970-01-31 ¹ |
| | Nat. Gas Burner Assembly Complete*** | --- | 265-48110-03-29 ² | --- | 265-48110-01-31 ² |
| 35 | Nat. Gas BN Burner** | 228-42506-00 | 228-42506-00 | 228-42506-00 | 228-42506-00 |
| 36 | Nat. Gas Main Burner Orifice** | 234-41034-29 | 234-41034-29 | 234-41034-31 | 234-41034-31 |
| | Nat. Gas High Altitude 2001 Ft. to 5000 Ft.** | 234-41034-30 | 234-41034-30 | 234-41034-33 | 234-41034-33 |
| | Nat. Gas High Altitude 5001 Ft. to 8000 Ft.** | 234-41034-31 | 234-41034-31 | 234-41034-36 | 234-41034-36 |
| | Nat. Gas High Altitude Over 8000 Ft.** | 234-41034-31 | 234-41034-31 | 234-41034-38 | 234-41034-38 |
| 37 | Nat. Gas Pilot Assembly (White Rodgers)** | 233-46277-04 | 233-41062-03 | 233-46277-04 | 233-46277-04 |
| | Nat. Gas Pilot Assembly (Resideo)** | 233-48077-03 | 233-48077-03 | 233-48077-03 | 233-48077-03 |
| 38 | Thermocouple (White Rodgers)** | 415-46501-24 | 415-46501-24 | 415-46501-24 | 415-46501-24 |
| 39 | Nat. Gas Pilot Orifice (White Rodgers)** | 234-46502-05 | 234-46502-05 | 234-46502-05 | 234-46502-05 |
| LP Gas SX Burner Assembly | | | Replacement for LP Gas Cast Iron Burner | | |
| 40 | LP Gas Burner Assembly Complete*** | 265-47118-04-43 | 265-47972-03-43 ¹ | 265-47440-12-47 | 265-47972-01-47 ¹ |
| | LP Gas Burner Assembly Complete*** | --- | 265-48303-03-43 ² | --- | 265-48303-01-47 ² |
| 41 | LP Gas SX Burner** | 228-47000-00 | 228-47000-00 | 228-47000-00 | 228-47000-00 |
| 42 | LP Gas SX Main Burner Orifice** | 234-47064-43 | 234-47064-43 | 234-47064-47 | 234-47064-47 |
| | LP Gas SX High Altitude 2001 Ft. to 5000 Ft.** | 234-47064-46 | 234-47064-46 | 234-47064-49 | 234-47064-49 |
| | LP Gas SX High Altitude 5001 Ft. to 8000 Ft.** | 234-47064-47 | 234-47064-47 | 234-47064-50 | 234-47064-50 |
| | LP Gas SX High Altitude Over 8000 Ft.** | 234-47064-47 | 234-47064-47 | 234-47064-51 | 234-47064-51 |
| 43 | LP Gas SX Pilot Assembly (White Rodgers)** | 233-41063-03 | 233-41063-03 | 233-46278-03 | 233-46278-03 |
| | LP Gas SX Pilot Assembly (Resideo)** | 233-48078-03 | 233-48078-03 | 233-48078-03 | 233-48078-03 |
| 44 | Thermocouple (White Rodgers)** | 415-46501-24 | 415-46501-24 | 415-46501-24 | 415-46501-24 |
| 45 | LP Gas SX Pilot Orifice (White Rodgers)** | 233-46502-02 | 233-46502-02 | 234-46502-02 | 234-46502-02 |
| 46 | Inner Door Gasket Kit | 239-44078-00 | 239-47792-00 | 239-44078-00 | 239-44078-00 |
| 47 | Heat Trap Insert Kit | 265-45419-00 | 265-45419-00 | 265-45419-00 | 265-45419-00 |
| 48 | ASSE Approved Mixing Valve (Optional) | 239-51778-00 | 239-51778-00 | 239-51778-00 | 239-51778-00 |
| 49 | Direct Vent-Air Intake Terminal Guard (Optional) | 415-41453-00 | 415-41453-00 | 415-41453-00 | 415-41453-00 |
| - | LP to Natural Gas Conversion Kit (Norm Alt.) | 265-53745-43 | 265-53745-63 | 265-53745-33 | 265-53745-53 |
| - | LP to Natural Gas Conversion Kit (High Alt.) | 265-53745-46 | 265-53745-66 | 265-53745-38 | 265-53745-58 |

*Applies to all warranties

**Inner door gasket kit recommended

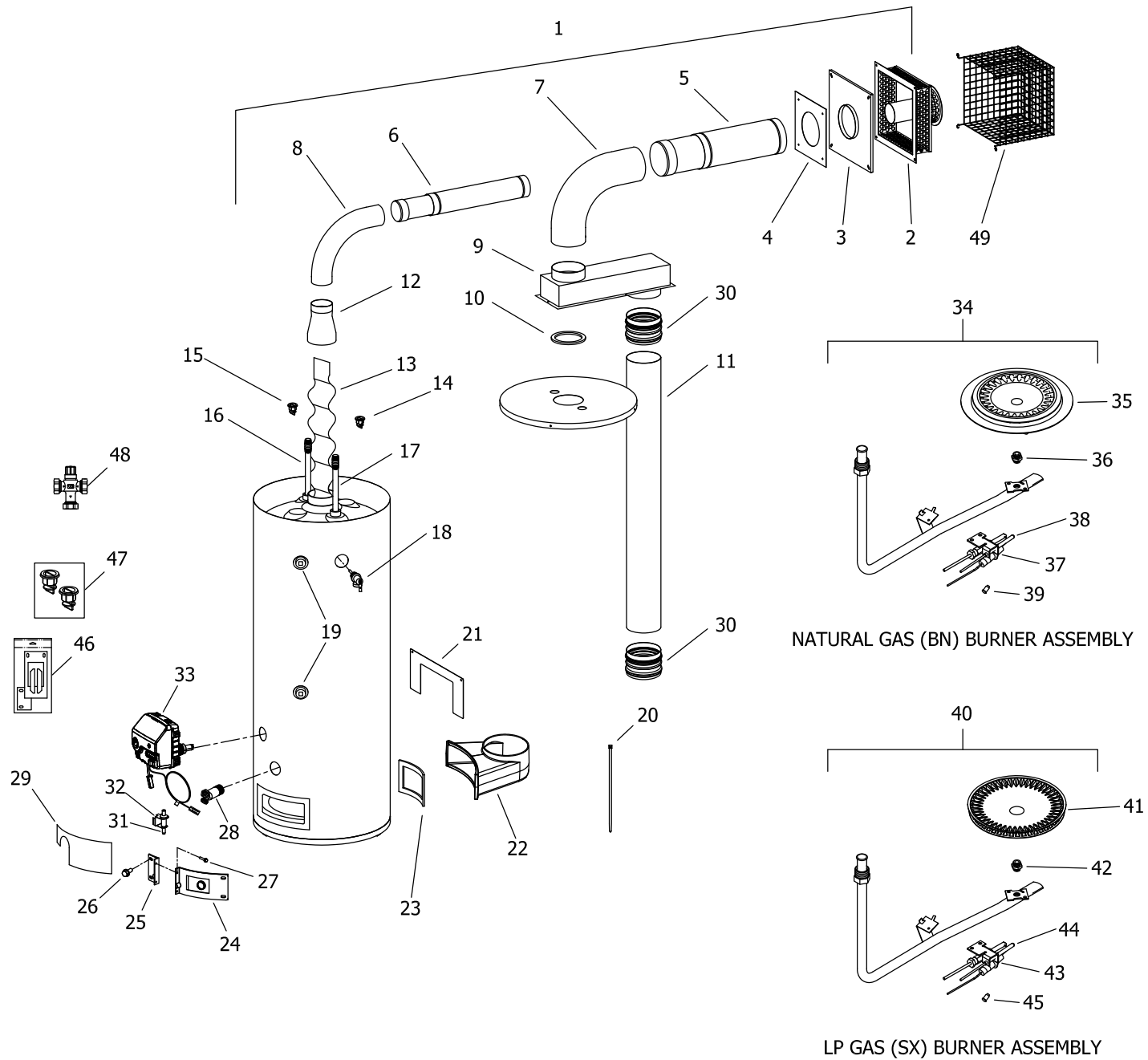
***Ordering a complete burner assembly may increase delivery time. Please order the specific component required for the quickest delivery.

▲ Order with item 15

▲▲ Order with item 14

¹ For serial numbers PRIOR to FK12504331

² For serial numbers AFTER and INCLUDING FK12504331.



NATURAL GAS (BN) BURNER ASSEMBLY

LP GAS (SX) BURNER ASSEMBLY

LP GAS (SX) BURNER ASSEMBLY TO REPLACE LP GAS (CX) BURNER ASSEMBLY ON ALL MODELS EXCEPT 75 GAL.

| Item | Description | Model | Model | Model | Model |
|------|---|-------------------------|--|-------------------------|---|
| | | DH165T*F (BN,CX, SX) | DH165T*F(BN, SX) (-ONLY,-FLEX,-SOLID) | DH175S*F (BN,CX, SX) | DH175S*F(BN,SX) (-ONLY,-FLEX,-SOLID) |
| 1 | Aluminum Vent Kit (Solid)† | 239-42980-00 | 415-48914-00 | 239-42980-00 | 415-48914-00 |
| | Aluminum Vent Kit (Flexible) | --- | 415-48915-00 | --- | 415-48915-00 |
| | White Vent Kit Package (Solid) | 239-45412-00 | 239-45412-00 | 239-45412-00 | 239-45412-00 |
| | Brown Vent Kit (Solid) | 239-42979-00 | 239-42979-00 | 239-42979-00 | 239-42979-00 |
| 2 | Direct Vent-Air Intake Terminal (Aluminum)(Flexible & Solid)† | 239-42274-00 | 239-42274-00 | 239-42274-00 | 239-42274-00 |
| | Direct Vent-Air Intake Terminal (Brown)(Flexible & Solid) | 239-42832-00 | 239-42832-00 | 239-42832-00 | 239-42832-00 |
| | Direct Vent-Air Intake Terminal (White)(Flexible & Solid) | 239-45413-00 | 239-45413-00 | 239-45413-00 | 239-45413-00 |
| 3 | Outer Wall Mounting Plate (Aluminum)(Flexible & Solid)† | 239-42447-00 | 239-42447-00 | 239-42447-00 | 239-42447-00 |
| | Outer Wall Mounting Plate (Brown)(Flexible & Solid) | 239-42833-00 | 239-42833-00 | 239-42833-00 | 239-42833-00 |
| | Outer Wall Mounting Plate (White)(Flexible & Solid) | 239-45414-00 | 239-45414-00 | 239-45414-00 | 239-45414-00 |
| 4 | Backing Plate | 239-42449-00 | 239-42449-00 | 239-42449-00 | 239-42449-00 |
| 5 | 6" Diameter Telescopic Air Intake Tube (Solid Only) | 239-42459-00 | 239-42459-00 | 239-42459-00 | 239-42459-00 |
| 6 | 4" Diameter Telescopic Vent Tube (Solid Only) | 239-42460-00 | 239-42460-00 | 239-42460-00 | 239-42460-00 |
| 7 | 6" Diameter Elbow (Solid Only) | 239-42067-00 | 239-42067-00 | 239-42067-00 | 239-42067-00 |
| 8 | 4" Diameter Elbow (Solid Only) | 239-42068-00 | 239-42068-00 | 239-42068-00 | 239-42068-00 |
| 9 | Plenum | --- | --- | --- | --- |
| 10 | Plenum Gasket | 239-41070-02 | 239-41070-02 | 239-41070-02 | 239-41070-02 |
| 11 | Air Intake Tube (Vertical) | --- | --- | --- | --- |
| 12 | Flue Reducer | 239-42066-00 | 239-42066-00 | 239-42066-00 | 239-42066-00 |
| 13 | Flue Baffle | --- | --- | --- | --- |
| 14 | Heat Trap Insert (Inlet) | 415-45073-00 | 415-45073-00 | 415-45073-00 | 415-45073-00 |
| 15 | Heat Trap Insert (Outlet) | 415-45167-00 | 415-45167-00 | 415-45167-00 | 415-45167-00 |
| 16 | Hot Water Outlet Magnesium Anode▲ | 415-55482-00 | 415-55482-00 | 415-55482-00 | 415-55482-00 |
| | Aluminum Anode▲ | 415-55484-00 | 415-55484-00 | 415-55484-00 | 415-55484-00 |
| | A420 Aluminum Anode▲# | 415-55486-00 | 415-55486-00 | 415-55486-00 | 415-55486-00 |
| 17 | Cold Water Inlet Dip Tube Polypropylene▲▲ | 229-51230-06 | 229-51230-06 | 229-51230-06 | 229-51230-06 |
| | Polysulfone (NC Code)▲▲ | 229-51230-06 | 229-51230-06 | 229-51230-06 | 229-51230-06 |
| 18 | T&P Relief Valve | 415-32920-01 | 415-32920-01 | 415-32920-01 | 415-32920-01 |
| 19 | 3/4 NPT Plug | 239-11638-00 | 239-11638-00 | 239-11638-00 | 239-11638-00 |
| 20 | Wire Tie | 239-44328-00 | 239-44328-00 | 239-44328-00 | 239-44328-00 |
| 21 | Direct Vent Boot Escutcheon | 243-46922-00 | --- | 243-46922-00 | --- |
| 22 | Air Intake Boot | --- | --- | --- | --- |
| 23 | Air Intake Boot Gasket | --- | w/ Intake Boot | --- | w/ Intake Boot |
| 24 | Right Side Inner Door w/Gasket | 239-45642-20 | 239-45642-20 | 239-45642-20 | 239-47504-22 |
| 25 | Left Side Inner Door w/Gasket | 239-43968-20 | 239-43968-20 | 239-43968-20 | 239-43968-20 |
| 26 | Screw-#10-12 x 3/4 HWH (Qty. 2) | 239-52581-00 | 239-52581-00 | 239-52581-00 | 239-52581-00 |
| 27 | Screw-#8-18 x 3/4 HWH (Qty. 5) | 239-44195-00 | 239-44195-00 | 239-44195-00 | 239-44195-00 |
| 28 | Brass Drain Valve Kit | 415-42351-02 | 415-42351-02 | 415-42351-02 | 415-42351-02 |
| 29 | Outer Door | 239-43962-00 | 239-43962-00 | 239-43962-00 | 239-43962-00 |
| 30 | Coupler (2 Required)◆ | --- | 239-50102-00 | --- | 239-50102-00◆ |

*Applies to all warranties

**Inner door gasket kit recommended

***Ordering a complete burner assembly may increase delivery time. Please order the specific component required for the quickest delivery.

A420 Anode may need to be cut to length

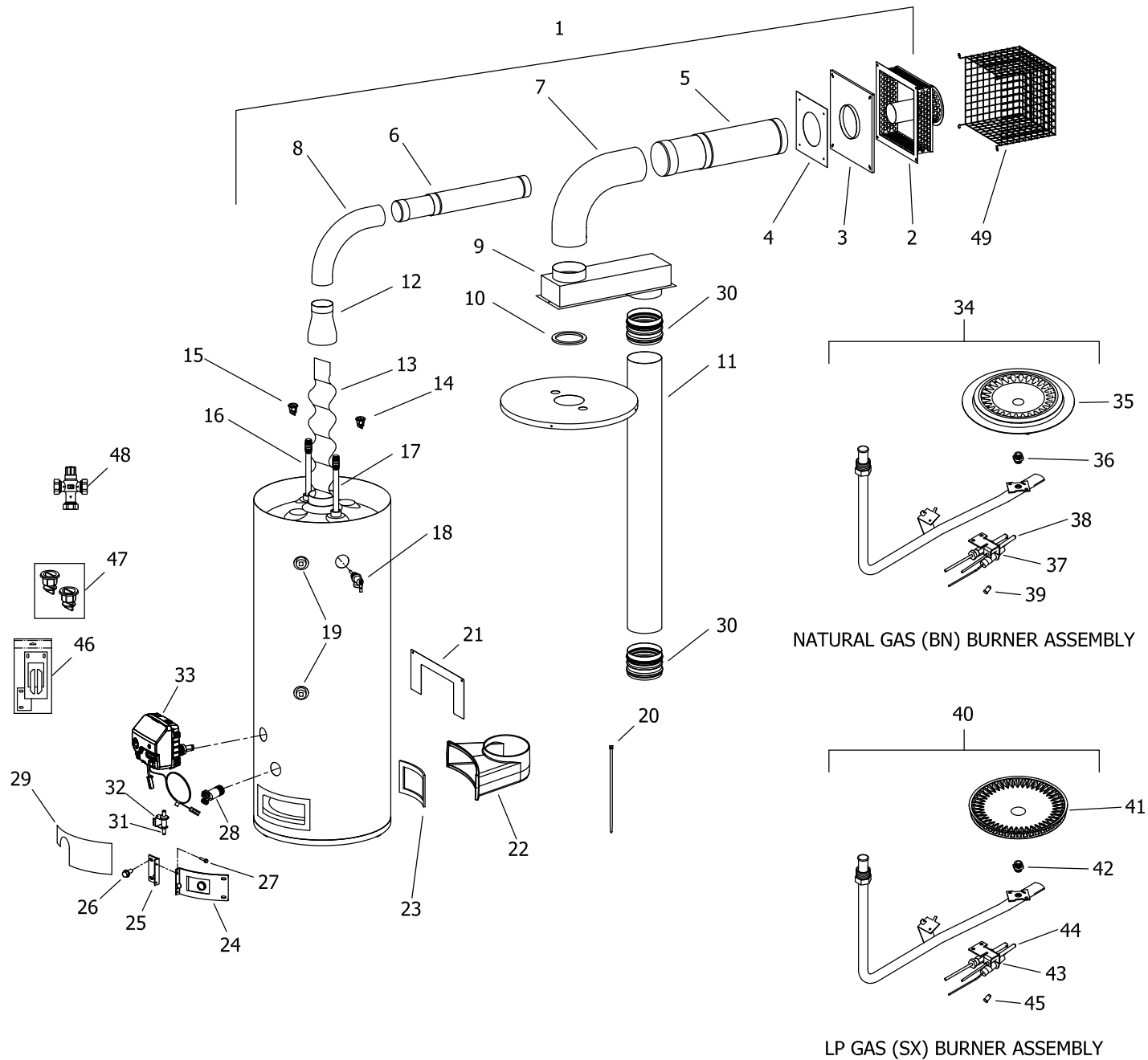
▲ Order with item 15

▲▲ Order with item 14

¹ For serial numbers PRIOR to FK12504331

² For serial numbers AFTER and INCLUDING FK12504331.

† Aluminum vent kits are standard



12
 LP GAS (SX) BURNER ASSEMBLY TO REPLACE LP GAS (CX) BURNER ASSEMBLY
 ON ALL MODELS EXCEPT 75 GAL.

| Item | Description | Model DH165T*F (BN,CX, SX) | Model DH165T*F(BN, SX) (-ONLY,-FLEX,-SOLID) | Model DH175S*F (BN,CX, SX) | Model DH175S*F(BN,SX) (-ONLY,-FLEX,-SOLID) |
|---------------------------------------|---|--|---|----------------------------------|--|
| 31 | Piezo Igniter (White Rodgers) | 415-43448-00 | 415-43448-00 | 415-43448-00 | 415-43448-00 |
| 32 | Piezo Igniter Bracket (White Rodgers) | 239-46157-02 | 239-46157-02 | 239-46157-02 | 239-46157-02 |
| 33 | Gas Control Direct Replacement Natural Gas Kit | 415-52907-01 | 415-52907-01 | 415-52907-01 | 415-52907-01 |
| | Gas Control Direct Replacement LP Gas Kit | 415-52909-01 | 415-52909-01 | 415-52909-01 | 415-52909-01 |
| | Gas Control Universal Replacement Natural Gas Kit | 415-53359-00 | 415-53359-00 | 415-53359-00 | 415-53359-00 |
| | Gas Control Universal Replacement LP Gas Kit | 415-53360-00 | 415-53360-00 | 415-53360-00 | 415-53360-00 |
| Natural Gas BN Burner Assembly | | | | | |
| 34 | Nat. Gas Burner Assembly Complete*** | 265-47439-10-30 | 265-47970-02-30 ¹ | 265-43971-06-29 | 265-47970-03-29 ¹ |
| | Nat. Gas Burner Assembly Complete*** | --- | 265-48110-02-30 ² | --- | 265-48110-03-29 ² |
| 35 | Nat. Gas BN Burner** | 228-42506-00 | 228-42506-00 | 228-42506-00 | 228-42506-00 |
| 36 | Nat. Gas Main Burner Orifice** | 234-41034-30 | 234-41034-30 | 234-41034-29 | 234-41034-29 |
| | Nat. Gas High Altitude 2001 Ft. to 5000 Ft.** | 234-41034-31 | 234-41034-31 | 234-41034-30 | 234-41034-30 |
| | Nat. Gas High Altitude 5001 Ft. to 8000 Ft.** | 234-41034-32 | 234-41034-32 | 234-41034-31 | 234-41034-31 |
| | Nat. Gas High Altitude Over 8000 Ft.** | 234-41034-33 | 234-41034-33 | 234-41034-31 | 234-41034-31 |
| 37 | Nat. Gas Pilot Assembly (White Rodgers)** | 233-46277-04 | 233-46277-04 | 233-46277-04 | 233-41062-03 |
| | Nat. Gas Pilot Assembly (Resideo)** | 233-48077-03 | 233-48077-03 | 233-48077-03 | 233-48077-03 |
| 38 | Thermocouple (White Rodgers)** | 415-46501-24 | 415-46501-24 | 415-46501-24 | 415-46501-24 |
| 39 | Nat. Gas Pilot Orifice (White Rodgers)** | 234-46502-05 | 234-46502-05 | 234-46502-05 | 234-46502-05 |
| LP Gas SX Burner Assembly | | Replacement for LP Gas Cast Iron Burner | | | |
| 40 | LP Gas Burner Assembly Complete*** | 265-47440-18-46 | 265-47972-02-46 ¹ | 265-47118-04-43 | 265-47972-03-43 ¹ |
| | LP Gas Burner Assembly Complete*** | --- | 265-48303-02-46 ² | --- | 265-48303-03-43 ² |
| 41 | LP Gas SX Burner** | 228-47000-00 | 228-47000-00 | 228-47000-00 | 228-47000-00 |
| 42 | LP Gas SX Main Burner Orifice** | 234-47064-46 | 234-47064-46 | 234-47064-43 | 234-47064-43 |
| | LP Gas SX High Altitude 2001 Ft. to 5000 Ft.** | 234-47064-48 | 234-47064-48 | 234-47064-46 | 234-47064-46 |
| | LP Gas SX High Altitude 5001 Ft. to 8000 Ft.** | 234-47064-49 | 234-47064-49 | 234-47064-47 | 234-47064-47 |
| | LP Gas SX High Altitude Over 8000 Ft.** | 234-47064-50 | 234-47064-50 | 234-47064-47 | 234-47064-47 |
| 43 | LP Gas SX Pilot Assembly (White Rodgers)** | 233-46278-03 | 233-46278-03 | 233-41063-03 | 233-41063-03 |
| | LP Gas SX Pilot Assembly (Resideo)** | 233-48078-03 | 233-48078-03 | 233-48078-03 | 233-48078-03 |
| 44 | Thermocouple (White Rodgers)** | 415-46501-24 | 415-46501-24 | 415-46501-24 | 415-46501-24 |
| 45 | LP Gas SX Pilot Orifice (White Rodgers)** | 234-46502-02 | 234-46502-02 | 233-46502-02 | 233-46502-02 |
| 46 | Inner Door Gasket Kit | 239-44078-00 | 239-44078-00 | 239-44078-00 | 239-47792-00 |
| 47 | Heat Trap Insert Kit | 265-45419-00 | 265-45419-00 | 265-45419-00 | 265-45419-00 |
| 48 | ASSE Approved Mixing Valve (Optional) | 239-51778-00 | 239-51778-00 | 239-51778-00 | 239-51778-00 |
| 49 | Direct Vent-Air Intake Terminal Guard (Optional) | 415-41453-00 | 415-41453-00 | 415-41453-00 | 415-41453-00 |
| - | LP to Natural Gas Conversion Kit (Norm Alt.) | 265-53745-34 | 265-53745-54 | 265-53745-35 | 265-53745-55 |
| - | LP to Natural Gas Conversion Kit (High Alt.) | 265-53745-39 | 265-53745-59 | 265-53745-40 | 265-53745-60 |

*Applies to all warranties

**Inner door gasket kit recommended

***Ordering a complete burner assembly may increase delivery time. Please order the specific component required for the quickest delivery.



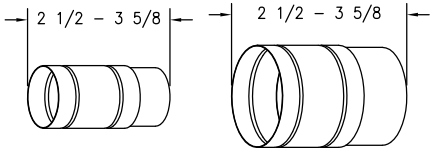

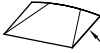
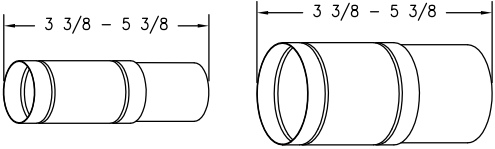

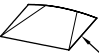
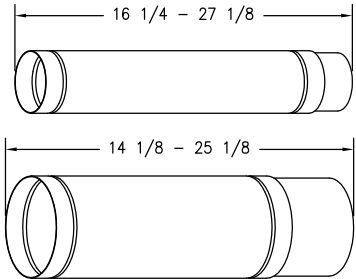


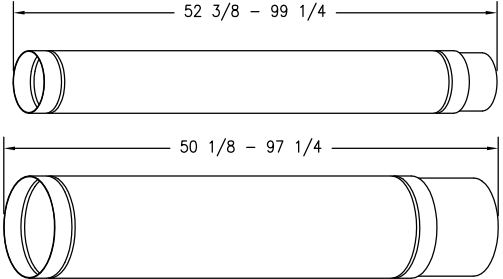
▲ Order with item 15

▲▲ Order with item 14

¹ For serial numbers PRIOR to FK12504331

² For serial numbers AFTER and INCLUDING FK12504331.

SOLID VENT KITS

| | |
|--|---|
| <div style="text-align: center;">  <p>SILICONE SEALANT</p> </div> <div style="text-align: center; margin-top: 20px;">  <p>BAG OF MOUNTING HARDWARE</p> </div> <div style="text-align: center; margin-top: 20px;">  </div> <div style="text-align: center; margin-top: 20px;"> <p>DIRECT VENT-AIR INTAKE KIT F PART NO. 239-42516-00 (OPTIONAL)</p> </div> | <div style="text-align: center;">  <p>SILICONE SEALANT</p> </div> <div style="text-align: center; margin-top: 20px;">  <p>BAG OF MOUNTING HARDWARE</p> </div> <div style="text-align: center; margin-top: 20px;">  </div> <div style="text-align: center; margin-top: 20px;"> <p>DIRECT VENT-AIR INTAKE KIT G PART NO. 239-42517-00 (OPTIONAL)</p> </div> |
| <div style="text-align: center;">  <p>SILICONE SEALANT</p> </div> <div style="text-align: center; margin-top: 20px;">  <p>BAG OF MOUNTING HARDWARE</p> </div> <div style="text-align: center; margin-top: 20px;">  </div> <div style="text-align: center; margin-top: 20px;"> <p>DIRECT VENT-AIR INTAKE KIT H PART NO. 239-42514-00 (OPTIONAL) ABOVE TUBE LENGTHS SUPPLIED WITH HEATER</p> </div> | <div style="text-align: center;">  <p>SILICONE SEALANT</p> </div> <div style="text-align: center; margin-top: 20px;">  <p>BAG OF MOUNTING HARDWARE</p> </div> <div style="text-align: center; margin-top: 20px;">  </div> <div style="text-align: center; margin-top: 20px;"> <p>DIRECT VENT-AIR INTAKE KIT I PART NO. 239-42512-00 (OPTIONAL)</p> </div> |

SOLID VENT KITS

| | | Horizontal "X" | | | | |
|--------------|---------------------|---|---|----------------------------------|---|---|
| | | 16 1/4 17 3/16 | 18 20 11/16 | 25 1/4 35 3/16 | 37 3/4 57 7/8 | 61 5/16 107 5/16 |
| Vertical "Y" | 11 9/16 | order kit F 239-42516-00 | order kit G 239-42517-00 | no add'l kit req'd | order kit H 239-42514-00 | order kit I 239-42512-00 |
| | 16 5/16 17 1/4 | order kit F *(2) 239-42516-00 | order kit F & G 239-42516-00 239-42517-00 | order kit F 239-42516-00 | order kit F & H 239-42516-00 239-42514-00 | order kit F & I 239-42516-00 239-42512-00 |
| | 18 1/16 20 3/4 | order kit F & G 239-42516-00 239-42517-00 | order kit G *(2) 239-42517-00 | order kit G 239-42517-00 | order kit G & H 239-42517-00 239-42514-00 | order kit G & I 239-42517-00 239-42512-00 |
| | 25 5/16 35 1/4 | order kit F 239-42516-00 | order kit G 239-42517-00 | order kit H 239-42514-00 | order kit H *(2) 239-42514-00 | order kit I 239-42512-00 |
| | 38 1/16 57 15/16 | order kit F & H 239-42516-00 239-42514-00 | order kit G & H 239-42517-00 239-42514-00 | order kit H *(2) 239-42514-00 | order kit H *(3) 239-42514-00 | order kit H & I 239-42514-00 239-42512-00 |
| | 61 3/8 107 3/8 | order kit F & I 239-42516-00 239-42512-00 | order kit G & I 239-42517-00 239-42512-00 | order kit I 239-42512-00 | order kit H & I 239-42514-00 239-42512-00 | order kit I *(2) 239-42512-00 |

*(2) = Order two kits

*(3) = Order three kits

FLEXIBLE VENT KITS

| Vertical Vent Height + Horizontal Vent Length | Kit Part Number |
|---|-----------------|
| Less than 100 inches | 239-48915-00 |
| More than 100 inches | N/A* |

*Do not attempt to use flexible vent hose at a distance greater than 100 inches.



United States

Sales 1-800-523-2931
Technical Support 1-800-334-3393
Email techsupport@bradfordwhite.com
Warranty 1-800-531-2111
Email warranty@bradfordwhite.com
Service Parts 1-800-538-2020
Email parts@bradfordwhite.com

Canada

Sales 1-866-690-0961 1-905-203-0600
Fax 905-636-0666
Warranty 1-800-531-2111
Email warranty@bradfordwhite.com
Technical Support 1-800-334-3393
Email techsupport@bradfordwhite.com
Service Parts and Orders ca.orders@bradfordwhite.com

For U.S. and Canada field service, contact your professional installer or local Bradford White sales representative.

International

General Contact international@bradfordwhite.com