



**BRADFORD WHITE**<sup>®</sup>  
W A T E R   H E A T E R S

**RESIDENTIAL & LIGHT DUTY COMMERCIAL GAS  
REPLACEMENT PARTS LIST**



**Models Covered:**  
PDX140S\*F(BN,SX)  
PDX440S\*F(BN,SX)  
PDX150S\*F(BN,SX)  
PDX450S\*F(BN,SX)  
PDX250T\*F(BN,SX,CX)  
PDX265T\*F(BN,SX)  
PDX275T\*F(BN,SX,CX)  
PDX50S60F(B\*N,S\*X,C\*X)  
PDX65S65F(B\*N,S\*X,C\*X)  
PDX75S70F(B\*N,S\*X,C\*X)

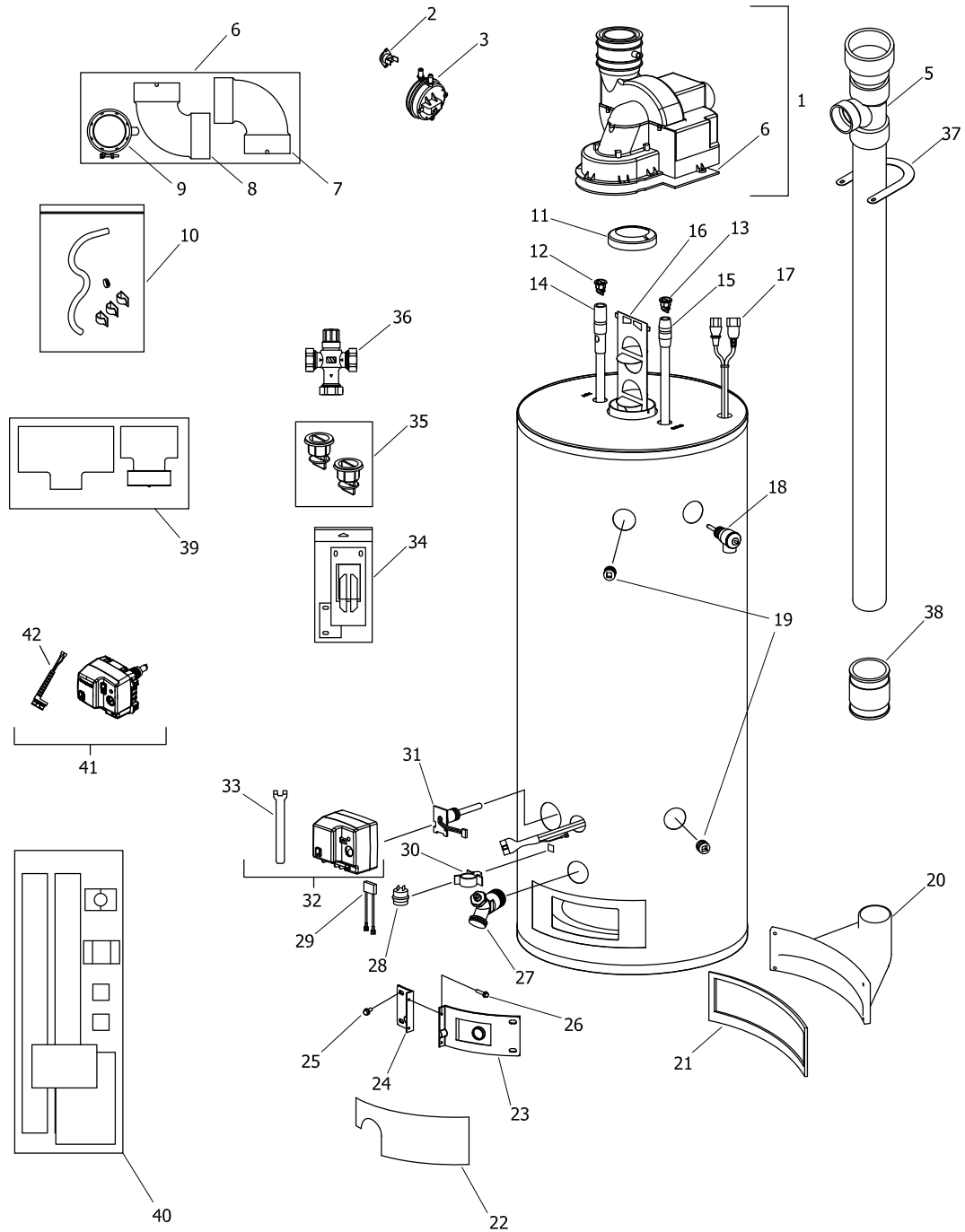
**Effective: October, 2024  
ECO 8780**

**NOTE: BOTH MODEL AND SERIAL  
NUMBERS ARE REQUIRED FOR  
ORDERING REPLACEMENT PARTS**

Dimensions and specifications  
subject to change without notice.

**WARNING**  
CANCER AND REPRODUCTIVE HARM  
[WWW.P65WARNINGS.CA.GOV](http://WWW.P65WARNINGS.CA.GOV)

As required by the state of California Proposition 65.



Item	Description	Model	Model	Model	Model
		PDX140S*F(BN,SX)	PDX440S*F(BN,SX)	PDX150S*F(BN,SX)	PDX450S*F(BN,SX)
1	Blower Assembly (Normal alt.)	415-47386-00	415-47386-00	415-47386-00	415-47386-00
	Blower Assembly (High alt.)	415-47386-00 <sup>1</sup>	415-47386-00 <sup>1</sup>	415-47386-00 <sup>1</sup>	415-47386-00 <sup>1</sup>
	Blower Assembly (High Alt.)	239-48527-00 <sup>2</sup>	239-48527-00 <sup>2</sup>	239-48527-00 <sup>2</sup>	239-48527-00 <sup>2</sup>
2	Blower Temperature Switch	415-48752-00	415-48752-00	415-48752-00	415-48752-00
3	Pressure Switch N.O. (Normal Alt.) Exhaust	415-48058-01	415-48058-01	415-48058-01	415-48058-01
	Pressure Switch N.O. (High Alt.) Exhaust	415-48058-01 <sup>1</sup>	415-48058-01 <sup>1</sup>	415-48058-01 <sup>1</sup>	415-48058-01 <sup>1</sup>
	Pressure Switch N.O. (High Alt.) Exhaust	415-48058-02 <sup>2</sup>	415-48058-02 <sup>2</sup>	415-48058-02 <sup>2</sup>	415-48058-02 <sup>2</sup>
4	Blower Gasket	239-45866-00	239-45866-00	239-45866-00	239-45866-00
5	Tee and vent pipe Assembly	239-47622-05	239-47622-05	239-47622-02	239-47622-02
6	Vent Adapter with Vent Terminal	239-47992-00	239-47992-00	239-47992-00	239-47992-00
7	Intake Vent Terminal Elbow	239-39831-00	239-39831-00	239-39831-00	239-39831-00
8	Exhaust Vent Terminal Elbow	239-39831-00	239-39831-00	239-39831-00	239-39831-00
9	Exhaust Adapter	239-45709-00	239-45709-00	239-45709-00	239-45709-00
10	Condensate Hose Kit (Optional)	415-45875-00	415-45875-00	415-45875-00	415-45875-00
11	Flue Reducer	243-42572-00	243-42572-00	243-42572-00	243-42572-00
12	Heat Trap Insert (Outlet)	415-45167-00	415-45167-00	415-45167-00	415-45167-00
13	Heat Trap Insert (Inlet)	415-45073-00	415-45073-00	415-45073-00	415-45073-00
14	Hot Water Outlet Anode Magnesium ▲ #	415-47776-10	415-47776-15	415-47776-10	415-47776-16
	Aluminum ▲ # (optional)	415-55484-00	415-55484-00	415-55484-00	415-55484-00
	A420 Aluminum ▲ # (optional)	415-55486-00	415-55486-00	415-55486-00	415-55486-00
15	Cold Water Inlet Dip Tube Polypropylene ▲ ▲	415-51230-17	415-51230-20	415-51230-17	415-51230-20
	Polysulfone (NC Code) ▲ ▲	415-51230-14	415-51230-14	415-51230-14	415-51230-14
16	Flue Baffle	239-45372-00	239-45372-00	239-45372-00	239-45372-00
17	Blower Harness	239-45617-01	239-45617-01	239-45617-01	239-45617-01
18	T&P Relief Valve	415-40594-02	415-40594-02	415-40594-02	415-40594-02
19	3/4 NPT Plug	239-11638-00	239-11638-00	239-11638-00	239-11638-00
20	Air Intake Boot	239-47514-18	239-47514-18	239-47514-20	239-47514-20
21	Air Intake Boot Gasket	239-47832-00	239-47832-00	239-47832-00	239-47832-00
22	Outer Door	239-43962-00	239-43962-00	239-43962-00	239-43962-00
23	Right Side Inner Door	239-45642-18	239-45642-18	239-45642-20	239-45642-20
24	Left Side Inner Door	239-43968-18	239-43968-18	239-43968-20	239-43968-20
25	Screw-#10-12 x 3/4 HWH	239-44113-00	239-44113-00	239-44113-00	239-44113-00

\*Applies to all warranties

\*\*Inner door gasket kit recommended

\*\*\*Ordering a complete burner assembly may increase delivery time.  
Please order the specific component required for the quickest delivery.

▲ Order with item 13

▲ ▲ Order with item 14

# Anode may need to be cut to length; see end of this parts list for further information.

† Serial # Prior to FF12046598.

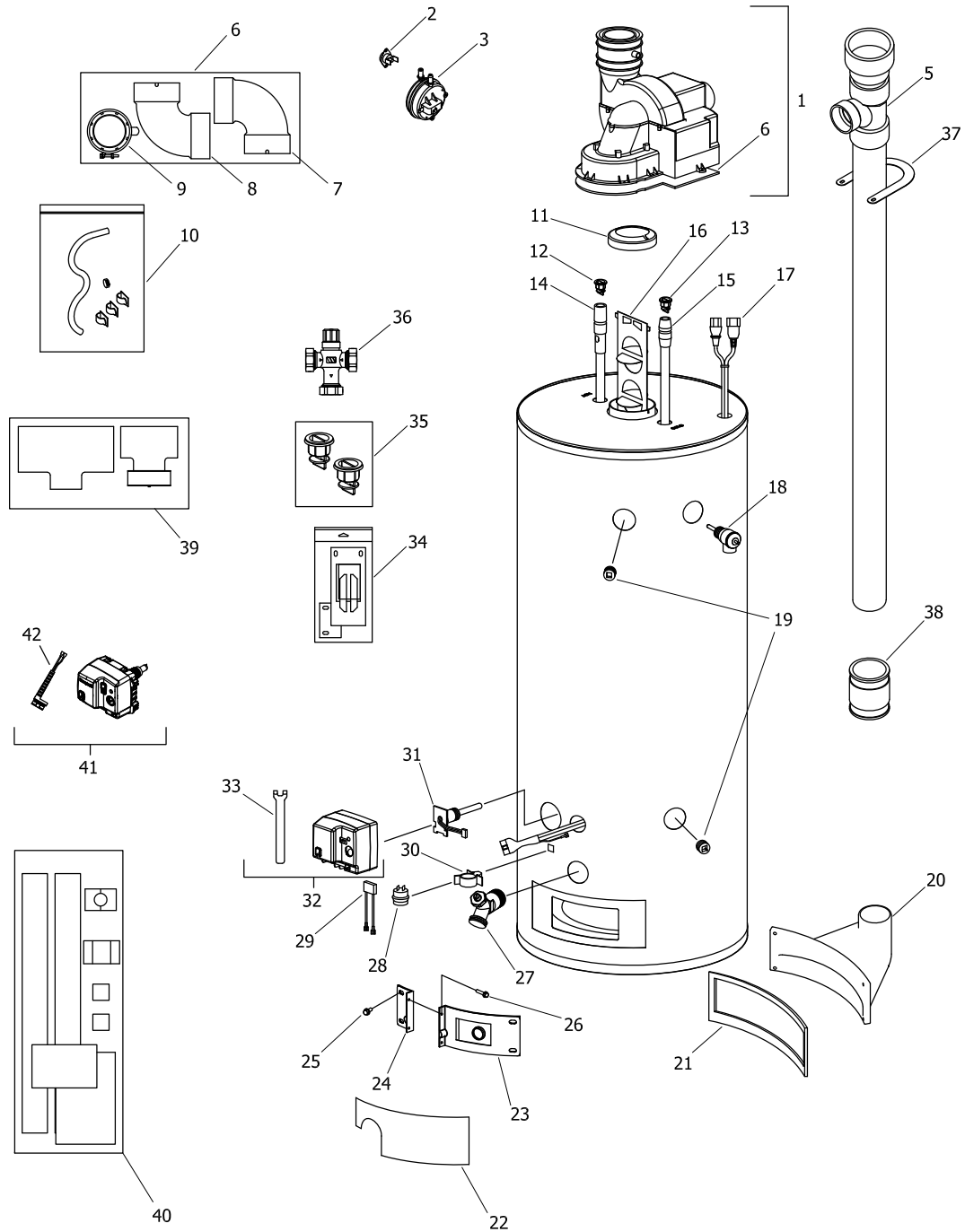
‡ Serial # FF12046598 and after.

■ Serial # FF12046598 to GF13535156.

◆ Serial # GF13535157 and after.

<sup>1</sup> Prior to serial # GK14048618.

<sup>2</sup> Serial # GK14048618 and after.



Item	Description	Model	Model	Model	Model
		PDX140S*F(BN,SX)	PDX440S*F(BN,SX)	PDX150S*F(BN,SX)	PDX450S*F(BN,SX)
26	Screw-#8-18 x 3/4 HWH	239-44195-00	239-44195-00	239-44195-00	239-44195-00
27	Brass Drain Valve	415-42351-02	415-42351-02	415-42351-02	415-42351-02
28	Flammable Vapor Sensor	415-45560-00	415-45560-00	415-45560-00	415-45560-00
29	Sensor Harness	239-45620-00	239-45620-00	239-45620-00	239-45620-00
30	Flammable Vapor Sensor Clip	239-45648-00	239-45648-00	239-45648-00	239-45648-00
31	Thermal Well	233-45651-01	233-45651-02	233-45651-01	233-45651-02
32	Gas Valve Natural Gas◆◆◆	415-45613-01	415-45613-01	415-45613-01	415-45613-01
	Gas Valve LP Gas◆◆◆	415-45614-01	415-45614-01	415-45614-01	415-45614-01
33	Gas Valve Service Tool	239-45991-00	239-45991-00	239-45991-00	239-45991-00
34	Inner Door Gasket Kit	239-44078-00	239-44078-00	239-44078-00	239-44078-00
35	Heat Trap Insert Kit	265-45419-00	265-45419-00	265-45419-00	265-45419-00
36	ASSE Approved Mixing Valve (Optional)	239-51778-00	239-51778-00	239-51778-00	239-51778-00
37	Bracket-Vertical intake	239-47671-02	239-47671-02	239-47671-02	239-47671-02
38	Coupling-2 X 2	239-47850-00	239-47850-00	239-47850-00	239-47850-00
39	Air Inlet Relief Device	239-48391-00	239-48391-00	239-48391-00	239-48391-00
40	OSP-Kit-Insulation	---	239-48949-00	---	239-48391-00
41	Gas Valve Natural Gas◆◆	415-48795-01	415-48795-02	415-48795-01	415-48795-02
	Gas Valve LP Gas◆◆	415-48796-01	415-48796-02	415-48796-01	415-48796-02
42	Flammable Vapor Sensor Harness◆◆	239-49791-00	239-49791-00	239-49791-00	239-49791-00

\*Applies to all warranties

\*\*Inner door gasket kit recommended

\*\*\*Ordering a complete burner assembly may increase delivery time.  
Please order the specific component required for the quickest delivery.

▲ Order with item 13

▲▲ Order with item 14

† Serial # Prior to FF12046598.

‡ Serial # FF12046598 and after.

■ Serial # FF12046598 to GF13535156.

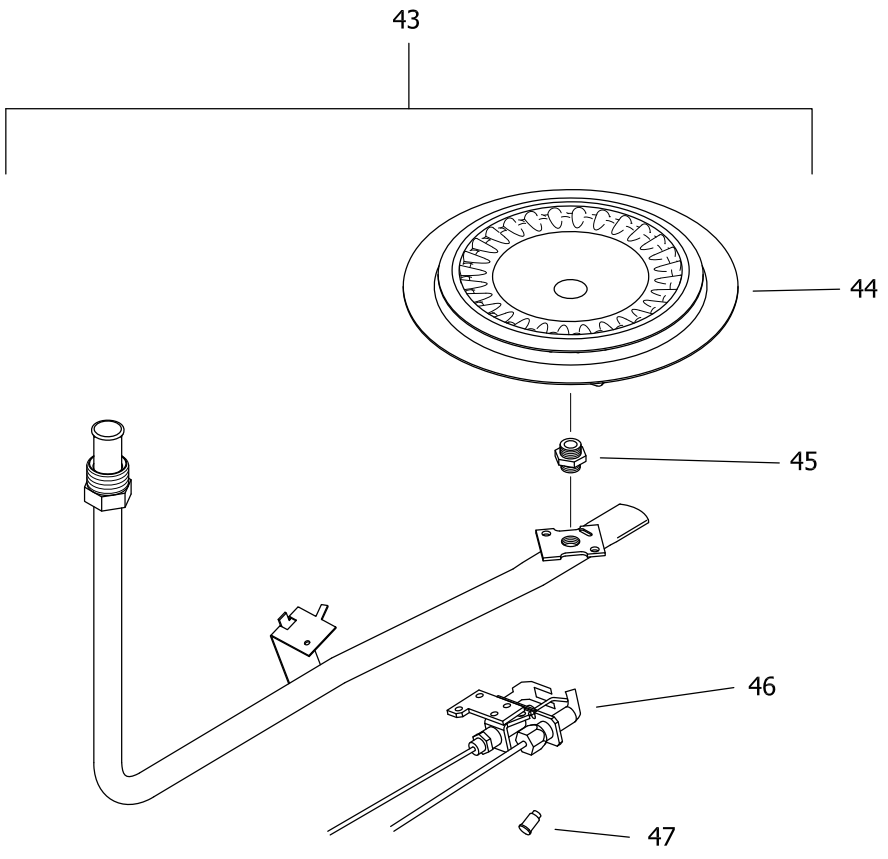
◆ Serial # GF13535157 and after.

◆◆ Serial # starting with K or later.

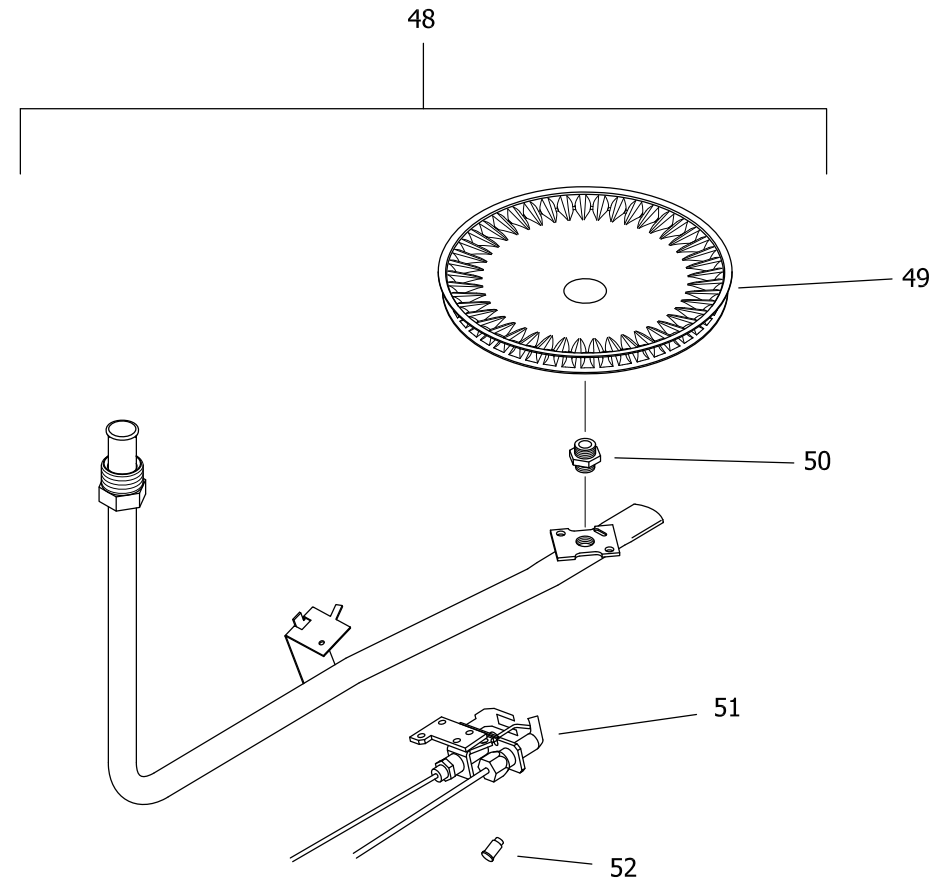
◆◆◆ Serial # starting with J or sooner.

<sup>1</sup> Prior to serial #GK14048618.

<sup>2</sup> Serial # GK14048618 and after.



NATURAL GAS (BN) BURNER ASSEMBLY



LP GAS (SX) BURNER ASSEMBLY

Item	Description	Model	Model	Model	Model
		PDX140S*F(BN,SX)	PDX440S*F(BN,SX)	PDX150S*F(BN,SX)	PDX450S*F(BN,SX)
<b>Natural Gas BN Burner Assembly</b>					
43	Nat. Gas Burner Assembly Complete***	265-47784-01-32	265-47785-02-32	265-47784-02-32	265-47785-02-32
	Nat. Gas Burner Assembly Complete***	265-47784-01-33	---	265-47784-02-33	---
44	Nat. Gas (BN) Burner**	228-42506-00	228-47000-00	228-42506-00	228-47000-00
45	Nat. Gas (BN) Main Burner Orifice**	234-41034-32	234-41034-32	234-41034-32	234-41034-32
	Nat. Gas (BN)High Altitude 2001 Ft. to 5000 Ft.**	234-41034-33 †	234-41034-33 †	234-41034-33 †	234-41034-33 †
	Nat. Gas (BN)High Altitude 2001 Ft. to 5000 Ft.**	234-41034-35 ‡	234-41034-35 ‡	234-41034-35 ‡	234-41034-35 ‡
	Nat. Gas (BN)High Altitude 5001 Ft. to 8000 Ft.**	234-41034-35 †	234-41034-35 †	234-41034-35 †	234-41034-35 †
	Nat. Gas (BN)High Altitude 5001 Ft. to 8000 Ft.**	234-41034-36 ‡	234-41034-36 ‡	234-41034-36 ‡	234-41034-36 ‡
	Nat. Gas (BN)High Altitude Over 8000 Ft.**	234-41034-38	234-41034-38	234-41034-38	234-41034-38
46	Nat. Gas Pilot Assembly**	415-45653-05	233-45653-02	415-45653-05	233-45653-02
47	Nat. Gas Pilot Orifice**	234-45869-01	234-45869-01	234-45869-01	234-45869-01
<b>LP Gas (SX) Titanium Stabilized Stainless Steel Burner Assembly</b>			<b>(Replacement for LP Gas (CX) Cast Iron Burner)</b>		
48	LP Gas Burner Assembly Complete***	265-47917-01-50	265-47917-01-50	265-47917-02-50	265-47917-02-50
49	LP Gas (SX) Burner**	228-46964-00	228-46964-00	228-46964-00	228-46964-00
50	LP Gas (SX) Main Burner Orifice**	234-47064-50	234-47064-50	234-47064-50	234-47064-50
	LP Gas (SX) High Altitude 2001 Ft. to 5000 Ft.**	234-47064-51	234-47064-51	234-47064-51	234-47064-51
	LP Gas (SX) High Altitude 5001 Ft. to 8000 Ft.**	234-47064-52	234-47064-52	234-47064-52	234-47064-52
	LP Gas (SX) High Altitude Over 8000 Ft.**	234-47064-53	234-47064-53	234-47064-53	234-47064-53
51	LP Gas (SX) Pilot Assembly**	415-45653-04	415-45653-04	415-45653-04	415-45653-04
52	LP Gas (SX) Pilot Orifice**	234-45869-02	234-45869-02	234-45869-02	234-45869-02
	LP to Natural Gas Conversion Kit (Norm Alt.)	265-46493-47	265-46493-94	265-46493-48	265-46493-95
	LP to Natural Gas Conversion Kit (High Alt.)	265-46493-55	265-46493-55	265-46493-56	265-46493-56

\*Applies to all warranties

\*\*Inner door gasket kit recommended

\*\*\*Ordering a complete burner assembly may increase delivery time.  
Please order the specific component required for the quickest delivery.

▲ Order with item 13

▲▲ Order with item 14

† Serial # Prior to FF12046598.

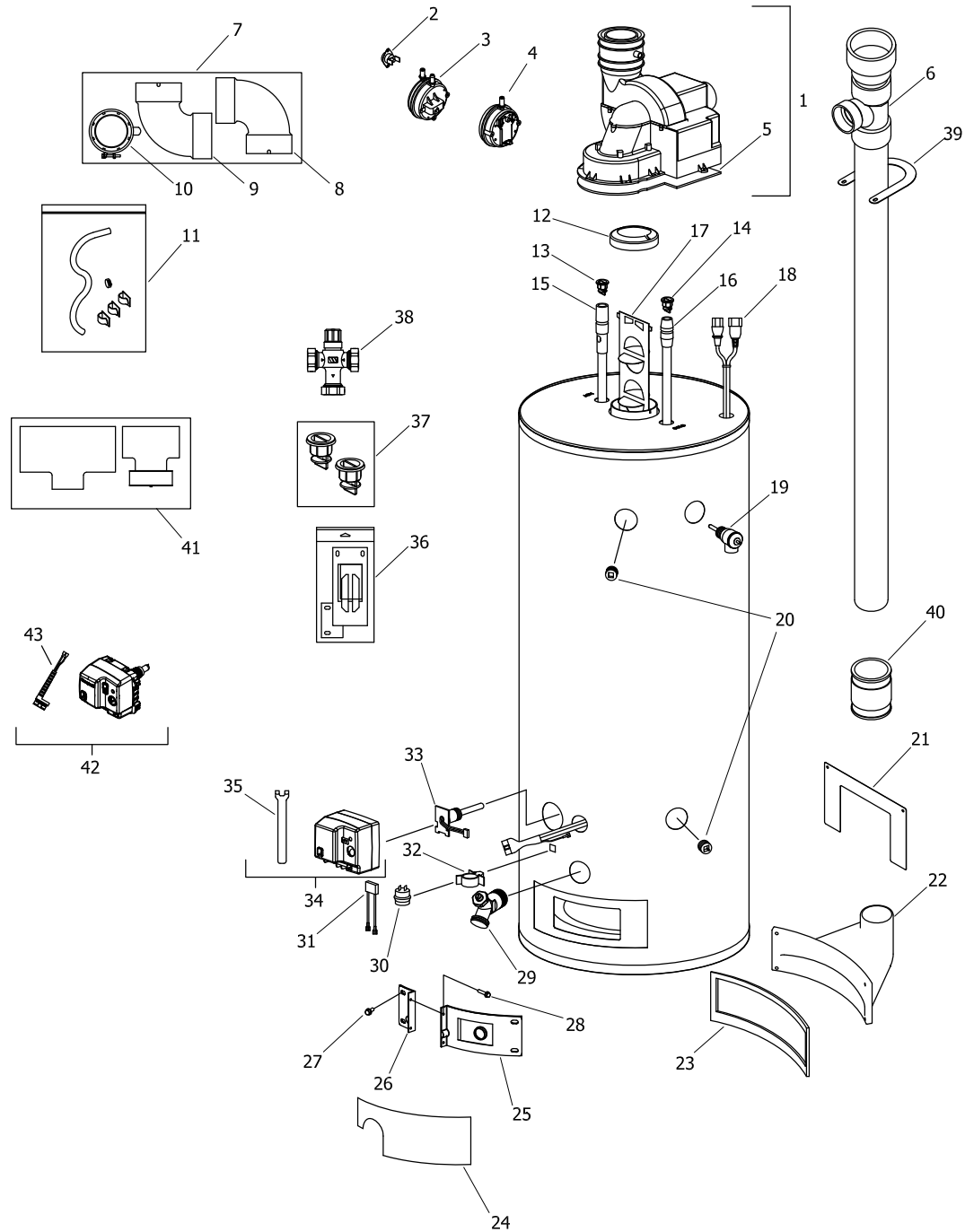
‡ Serial # FF12046598 and after.

■ Serial # FF12046598 to GF13535156.

◆ Serial # GF13535157 and after.

<sup>1</sup> Prior to serial #GK14048618.

<sup>2</sup> Serial # GK14048618 and after.





Item	Description	Model	Model	Model	Model
		PDX250T*F(BN, SX, CX)	PDX265T*F(BN, SX, CX)	PDX275T*F(BN, SX, CX)	PDX50S60F(B*N, S*X, C*X)
1	Blower Assembly (Normal Alt.)	415-46719-00 †	415-46719-00 †	415-46719-00 †	415-46719-00 †
	Blower Assembly (Normal alt.)	415-47387-00 ‡	415-47387-00 ‡	415-47387-00 ‡	415-47387-00 ‡
	Blower Assembly (High Alt.)	415-46881-00 †	415-46881-00 †	415-46881-00 †	415-46881-00 †
	Blower Assembly (High alt.)	415-47387-00 ■	415-47387-00 ■	415-47387-00 ■	415-47387-00 ■
	Blower Assembly (High Alt.)	239-48528-00 <sup>2</sup>	239-48528-00 <sup>2</sup>	239-48528-00 <sup>2</sup>	239-48528-00 <sup>2</sup>
2	Blower Temperature Switch	415-48752-00	415-48752-00	415-48752-00	415-48752-00
3	Pressure Switch N.O. (Normal Alt.) Exhaust	415-46880-01 †	415-46880-01 †	415-46880-01 †	415-46880-01 †
	Pressure Switch N.O. (High Alt.) Exhaust	415-46880-02 †	415-46880-02 †	415-46880-02 †	415-46880-02 †
	Pressure Switch N.O. (Normal Alt.) Exhaust	415-48058-01 ‡	415-48058-01 ‡	415-48058-01 ‡	415-48058-01 ‡
	Pressure Switch N.O. (High Alt.) Exhaust	415-48058-02 ‡	415-48058-02 ‡	415-48058-02 ‡	415-48058-02 ‡
4	Pressure Switch N.C. Intake	415-46879-01 †	415-46879-01 †	415-46879-01 †	415-46879-01 †
5	Blower Gasket	239-45866-00	239-45866-00	239-45866-00	239-45866-00
6	Tee and vent pipe Assembly	239-51391-04 †	239-46823-02 †	239-46823-03 †	239-51391-04 †
	Tee and vent pipe Assembly	239-51391-04 ‡	239-47622-03 ‡	239-47622-04 ‡	239-51391-04 ‡
7	Vent Adapter with Vent Terminal	239-48781-00	239-48781-00	239-48781-00	239-48781-00
8	Intake Vent Terminal Elbow	415-40579-00	415-40579-00	415-40579-00	415-40579-00
9	Exhaust Vent Terminal Elbow	415-40579-00	415-40579-00	415-40579-00	415-40579-00
10	Exhaust Adapter	239-45639-00	239-45639-00	239-45639-00	239-45639-00
11	Condensate Hose Kit (Optional)	415-45875-00	415-45875-00	415-45875-00	415-45875-00
12	Flue Reducer	243-42572-00	243-42572-00	---	243-42572-00
13	Heat Trap Insert (Outlet)	415-45167-00	415-45167-00	415-45167-00	415-45167-00
14	Heat Trap Insert (Inlet)	415-45073-00	415-45073-00	415-45073-00	415-45073-00
15	Hot Water Outlet Anode Magnesium▲	415-55482-00	415-55482-00	415-55482-00	415-55482-00
	Aluminum▲ (optional)	415-55484-00	415-55484-00	415-55484-00	415-55484-00
	A420 Aluminum▲# (optional)	415-55486-00	415-55486-00	415-55486-00	415-55486-00
16	Cold Water Inlet Dip Tube Polypropylene▲▲	415-51230-14	415-45398-07	415-45398-07	415-51230-16
	Polysulfone (NC Code)▲▲	415-51230-14	229-45092-04	229-45092-04	229-39628-19
17	Flue Baffle	239-45373-00	239-45373-00	239-42899-00	239-45373-00
18	Blower Harness	239-45617-02	239-45617-02	239-45617-02	239-45617-02
19	T&P Relief Valve	415-40594-02	415-40594-02	415-40594-02	415-40594-02
20	3/4 NPT Plug	239-11638-00	239-11638-00	239-11638-00	239-11638-00
21	Air Intake Boot Escutcheon	243-46922-00 †	243-46922-00 †	243-46922-00 †	243-46922-00 †
22	Air Intake Boot	239-46756-01 †	239-46756-02 †	239-47514-22 †	239-46756-01 †
	Air Intake Boot	239-47514-18 ‡	239-47514-20 ‡	239-47514-22 ‡	239-47514-18 ‡
23	Air Intake Boot Gasket	239-41067-00 †	239-41067-00 †	239-41067-00 †	239-41067-00 †
	Air Intake Boot Gasket	239-47832-00 ‡	239-47832-00 ‡	239-47832-00 ‡	239-47832-00 ‡
24	Outer Door	239-43962-00	239-43962-00	239-43962-00	239-43962-00
25	Right Side Inner Door	239-45642-18 †	239-45642-20 †	239-45642-20 †	239-45642-18 †
	Right Side Inner Door	239-45642-18 ‡	239-45642-20 ‡	239-47504-22 ‡	239-45642-18 ‡
26	Left Side Inner Door	239-43968-18	239-43968-20	239-43968-20	239-43968-18
27	Screw-#10-12 x 3/4 HWH	239-44113-00	239-44113-00	239-44113-00	239-44113-00

\*Applies to all warranties

\*\*Inner door gasket kit recommended

\*\*\*Ordering a complete burner assembly may increase delivery time.

Please order the specific component required for the quickest delivery.

▲Order with item 13

▲▲Order with item 14

# Anode may need to be cut to length; see end of this parts list for further information.

† Serial # Prior to FF12046598.

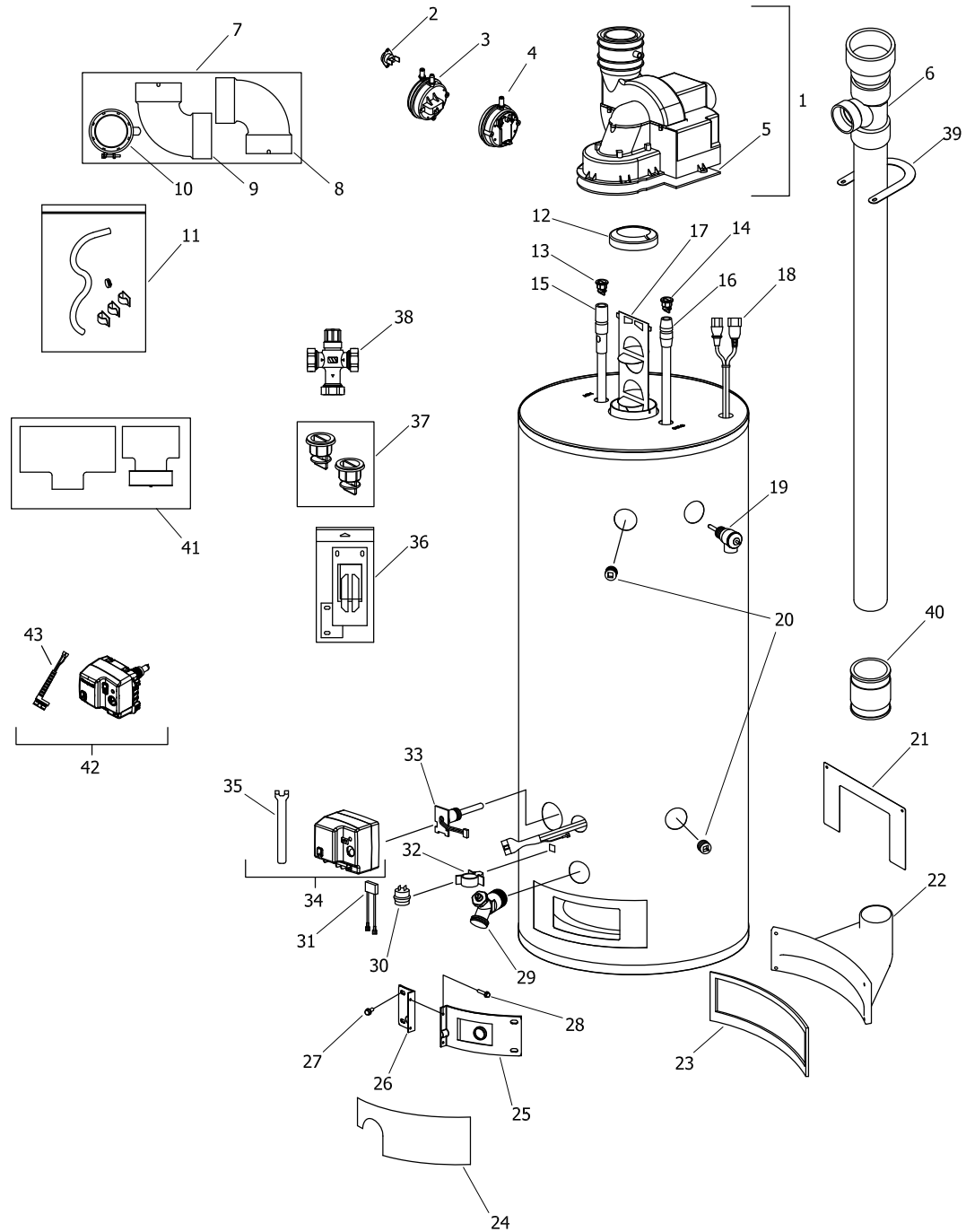
‡ Serial # FF12046598 and after.

■ Serial # FF12046598 to GF13535156.

◆ Serial # GF13535157 and after.

<sup>1</sup> Prior to serial # GK14048618.

<sup>2</sup> Serial # GK14048618 and after.



Item	Description	Model	Model	Model	Model
		PDX250T*F(BN, SX, CX)	PDX265T*F(BN, SX, CX)	PDX275T*F(BN, SX, CX)	PDX50S60F(B*N, S*X, C*X)
28	Screw-#8-18 x 3/4 HWH	239-44195-00	239-44195-00	239-44195-00	239-44195-00
29	Brass Drain Valve	415-42351-02	415-42351-02	415-42351-02	415-42351-02
30	Flammable Vapor Sensor	415-45560-00	415-45560-00	415-45560-00	415-45560-00
31	Sensor Harness	239-45620-00	239-45620-00	239-45620-00	239-45620-00
32	Flammable Vapor Sensor Clip	239-45648-00	239-45648-00	239-45648-00	239-45648-00
33	Thermal Well	233-45651-02 †	233-45651-01 †	233-45651-02 †	233-45651-02 †
	Thermal Well	233-45651-02 ‡	233-45651-02 ‡	233-45651-02 ‡	233-45651-02 ‡
34	Gas Valve Natural Gas◆◆◆	415-45613-01	415-45613-01	415-45613-01	---
	Gas Valve LP Gas◆◆◆	415-45614-01	415-45614-01	415-45614-01	415-45614-02
35	Gas Valve Service Tool	239-45991-00	239-45991-00	239-45991-00	239-45991-00
36	Inner Door Gasket Kit	239-44078-00 †	239-44078-00 †	239-44078-00 †	239-44078-00 †
	Inner Door Gasket Kit	239-44078-00 ‡	239-44078-00 ‡	239-47792-00 ‡	239-44078-00 ‡
37	Heat Trap Insert Kit	265-45419-00	265-45419-00	265-45419-00	265-45419-00
38	ASSE Approved Mixing Valve (Optional)	239-51778-00	239-51778-00	239-51778-00	239-51778-00
39	Bracket-Vertical intake	239-47671-01 ‡	239-47671-01 ‡	239-47671-01 ‡	239-47671-01 ‡
40	Coupling-2 X 2	239-47850-00 ‡	239-47850-00 ‡	239-47850-00 ‡	239-47850-00 ‡
41	Air Inlet Relief Device	239-48392-00	239-48392-00	239-48392-00	239-48392-00
42	Gas Valve Natural Gas◆◆	415-48795-02	415-48795-02	415-48795-02	415-48795-04
	Gas Valve LP Gas◆◆	415-48796-02	415-48796-02	415-48796-02	415-48796-04
43	Flammable Vapor Sensor Harness◆◆	239-49791-00	239-49791-00	239-49791-00	239-49791-00

\*Applies to all warranties

\*\*Inner door gasket kit recommended

\*\*\*Ordering a complete burner assembly may increase delivery time.

Please order the specific component required for the quickest delivery.

▲ Order with item 13

▲▲ Order with item 14

† Serial # Prior to FF12046598.

‡ Serial # FF12046598 and after.

■ Serial # FF12046598 to GF13535156.

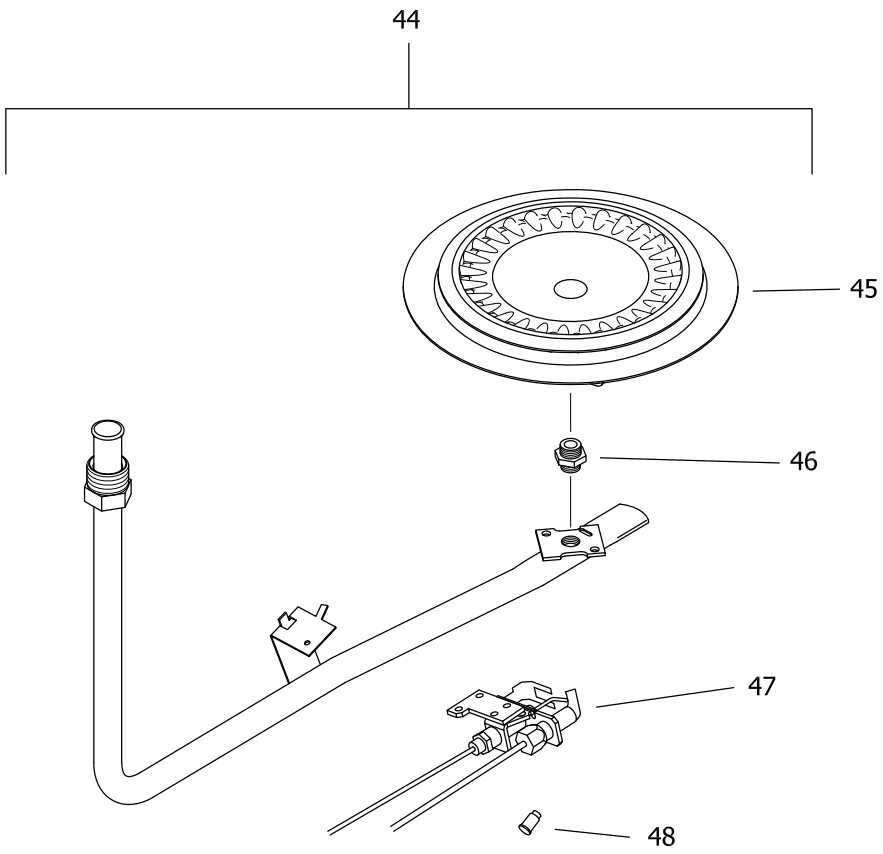
◆Serial # GF13535157 and after.

◆◆ Serial # starting with K or later.

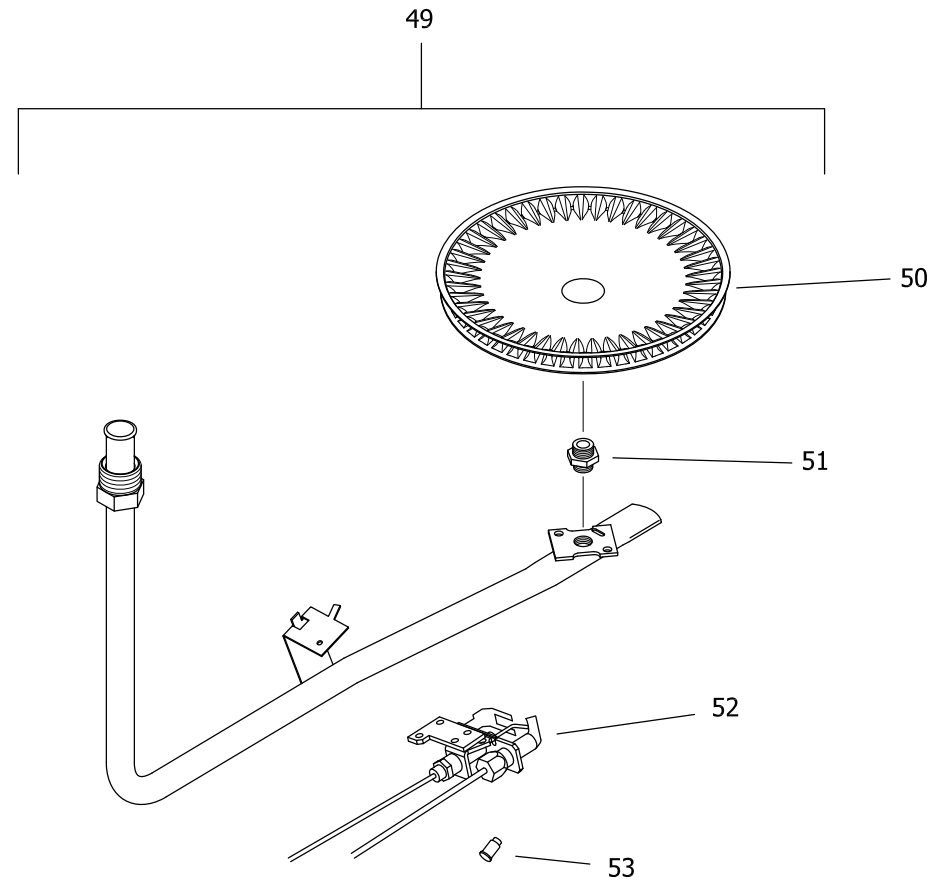
◆◆◆ Serial # starting with J or sooner.

<sup>1</sup> Prior to serial #G K14048618.

<sup>2</sup> Serial # GK14048618 and after.



NATURAL GAS (BN) BURNER ASSEMBLY



LP GAS (SX) BURNER ASSEMBLY

Item	Description	Model	Model	Model	Model
		PDX250T*F(BN, SX, CX)	PDX265T*F(BN, SX, CX)	PDX275T*F(BN, SX, CX)	PDX50S60F(B*N, S*X, C*X)
<b>Natural Gas BN Burner Assembly</b>					
44	Nat. Gas Burner Assembly Complete***	265-47439-06-28 †	265-47439-09-27 †	265-45652-05-25 †	265-47439-06-28 †
	Nat. Gas Burner Assembly Complete***	265-47784-02-28 ‡	243-47784-03-27 ‡	265-47785-01-25 ‡	265-47784-02-28 ‡
	Nat. Gas Burner Assembly Complete***	265-47784-02-28 ◆	243-47784-03-27 ◆	265-47785-01-25 ◆	265-47784-02-28 ◆
45	Nat. Gas (BN) Burner**	228-42506-00	228-42506-00	228-47000-00	228-42506-00
46	Nat. Gas (BN) Main Burner Orifice**	234-41034-28	234-41034-27	234-41034-25	234-41034-28
	Nat. Gas (BN)High Altitude 2001 Ft. to 5000 Ft.**	234-41034-30	234-41034-29	234-41034-27	234-41034-30
	Nat. Gas (BN)High Altitude 5001 Ft. to 8000 Ft.**	234-41034-31	234-41034-31	234-41034-30	234-41034-31
	Nat. Gas (BN)High Altitude Over 8000 Ft.**	234-41034-31	234-41034-31	234-41034-30	234-41034-31
47	Nat. Gas Pilot Assembly**	415-45653-05	415-45653-05	415-45653-05	415-45653-05
48	Nat. Gas Pilot Orifice**	234-45869-01	234-45869-01	234-45869-01	234-45869-01
<b>LP Gas (SX) Titanium Stabilized Stainless Steel Burner Assembly</b>			<b>(Replacement for LP Gas (CX) Cast Iron Burner)</b>		
49	LP Gas Burner Assembly Complete***	265-47440-10-44 †	265-47440-16-44 †	265-47119-04-42 †	265-47440-10-44 †
	LP Gas Burner Assembly Complete***	265-47376-01-44 ‡	265-47376-02-44 ‡	265-47376-03-42 ‡	265-47376-01-44 ‡
50	LP Gas (SX) Burner**	228-47000-00	228-47000-00	228-47000-00	228-47000-00
51	LP Gas (SX) Main Burner Orifice**	234-47064-44	234-47064-44	234-47064-42	234-47064-44
	LP Gas (SX) High Altitude 2001 Ft. to 5000 Ft.**	234-47064-47	234-47064-47	234-47064-44	234-47064-47
	LP Gas (SX) High Altitude 5001 Ft. to 8000 Ft.**	234-47064-48	234-47064-48	234-47064-45	234-47064-48
	LP Gas (SX) High Altitude Over 8000 Ft.**	234-47064-49	234-47064-49	234-47064-47	234-47064-49
52	LP Gas (SX) Pilot Assembly**	415-45653-04	415-45653-04	415-45653-04	415-45653-04
53	LP Gas (SX) Pilot Orifice**	234-45869-02	234-45869-02	234-45869-02	234-45869-02
	LP to Natural Gas Conversion Kit (Norm Alt.)	265-46493-23 †	265-46493-24 †	265-46493-25 †	265-46493-32 †
	LP to Natural Gas Conversion Kit (High Alt.)	265-46493-29 †	265-46493-30 †	265-46493-31 †	265-46493-35 †
	LP to Natural Gas Conversion Kit (Norm Alt.)	265-46493-49 ‡	265-46493-50 ‡	265-46493-51 ‡	265-46493-52 ‡
	LP to Natural Gas Conversion Kit (High Alt.)	265-46493-57 ‡	265-46493-58 ‡	265-46493-59 ‡	265-46493-60 ‡

\*Applies to all warranties

\*\*Inner door gasket kit recommended

\*\*\*Ordering a complete burner assembly may increase delivery time.

Please order the specific component required for the quickest delivery.

▲ Order with item 13

▲▲ Order with item 14

† Serial # Prior to FF12046598.

‡ Serial # FF12046598 and after.

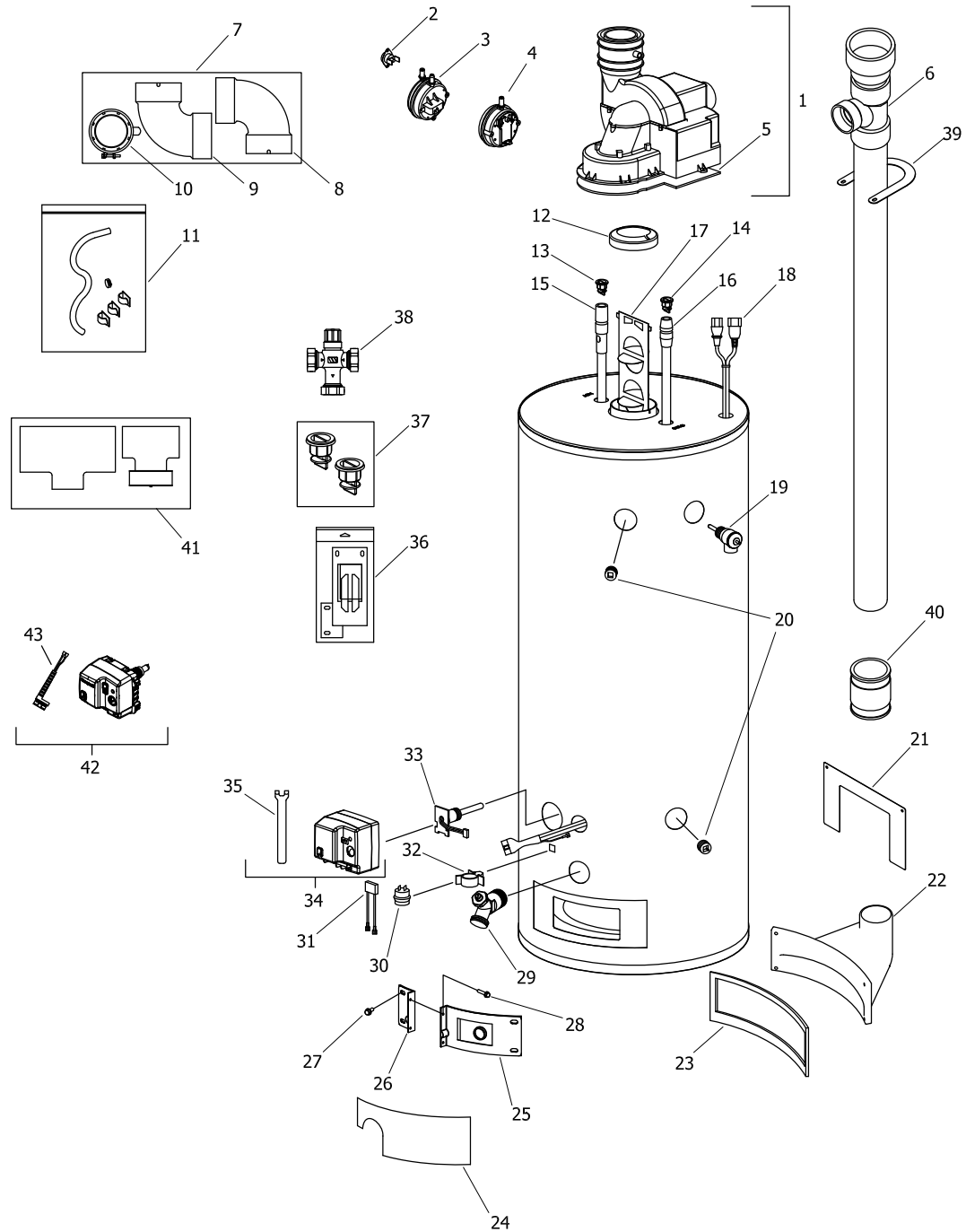
■ Serial # FF12046598 to GF13535156.

◆ Serial # GF13535157 and after.

<sup>1</sup> Prior to serial #GK14048618.

<sup>2</sup> Serial # GK14048618 and after.





Item	Description	Model	Model
		PDX65S65F(B*N, S*X, C*X)	PDX75S70F(B*N, S*X, C*X)
1	Blower Assembly (Normal Alt.)	415-46719-00 †	415-46719-00 †
	Blower Assembly (Normal alt.)	415-47387-00 ‡	415-47387-00 ‡
	Blower Assembly (High Alt.)	415-46881-00 †	415-46881-00 †
	Blower Assembly (High alt.)	415-47387-00 ■	415-47387-00 ■
	Blower Assembly (High Alt.)	239-48528-00 <sup>2</sup>	239-48528-00 <sup>2</sup>
2	Blower Temperature Switch	415-48752-00	415-48752-00
3	Pressure Switch N.O. (Normal Alt.) Exhaust	415-46880-01 †	415-46880-01 †
	Pressure Switch N.O. (High Alt.) Exhaust	415-46880-02 †	415-46880-02 †
	Pressure Switch N.O. (Normal Alt.) Exhaust	415-48058-01 ‡	415-48058-01 ‡
	Pressure Switch N.O. (High Alt.) Exhaust	415-48058-02 ‡	415-48058-02 ‡
4	Pressure Switch N.C. Intake	415-46879-01 †	415-46879-01 †
5	Blower Gasket	239-45866-00	239-45866-00
6	Tee and vent pipe Assembly	239-46823-02 †	239-46823-03 †
	Tee and vent pipe Assembly	239-47622-03 ‡	239-47622-04 ‡
7	Vent Adapter with Vent Terminal	239-48781-00	239-48781-00
8	Intake Vent Terminal Elbow	415-40579-00	415-40579-00
9	Exhaust Vent Terminal Elbow	415-40579-00	415-40579-00
10	Exhaust Adapter	239-45639-00	239-45639-00
11	Condensate Hose Kit (Optional)	415-45875-00	415-45875-00
12	Flue Reducer	243-42572-00	---
13	Heat Trap Insert (Outlet)	415-45167-00	415-45167-00
14	Heat Trap Insert (Inlet)	415-45073-00	415-45073-00
15	Hot Water Outlet Anode Magnesium▲	415-55482-00	415-55482-00
	Aluminum▲ (optional)	415-55484-00	415-55484-00
	A420 Aluminum▲# (optional)	415-55486-00	415-55486-00
16	Cold Water Inlet Dip Tube Polypropylene▲▲	415-45398-02	415-45398-07
	Polysulfone (NC Code)▲▲	229-45092-03	229-45092-04
17	Flue Baffle	239-45373-00	239-42899-00
18	Blower Harness	239-45617-02	239-45617-02
19	T&P Relief Valve	415-40594-02	415-40594-02
20	3/4 NPT Plug	239-11638-00	239-11638-00
21	Air Intake Boot Escutcheon	243-46922-00 †	243-46922-00 †
22	Air Intake Boot	239-46756-02 †	239-47514-22 †
	Air Intake Boot	239-47514-20 ‡	239-47514-22 ‡
23	Air Intake Boot Gasket	239-41067-00 †	239-41067-00 †
	Air Intake Boot Gasket	239-47832-00 ‡	239-47832-00 ‡
24	Outer Door	239-43962-00	239-43962-00
25	Right Side Inner Door	239-45642-20 †	239-45642-20 †
	Right Side Inner Door	239-45642-20 ‡	239-47504-22 ‡
26	Left Side Inner Door	239-43968-20	239-43968-20
27	Screw-#10-12 x 3/4 HWH	239-44113-00	239-44113-00

\*Applies to all warranties

\*\*Inner door gasket kit recommended

\*\*\*Ordering a complete burner assembly may increase delivery time.

Please order the specific component required for the quickest delivery.

▲ Order with item 13

▲▲ Order with item 14

# Anode may need to be cut to length; see end of this parts list for further information.

† Serial # Prior to FF12046598.

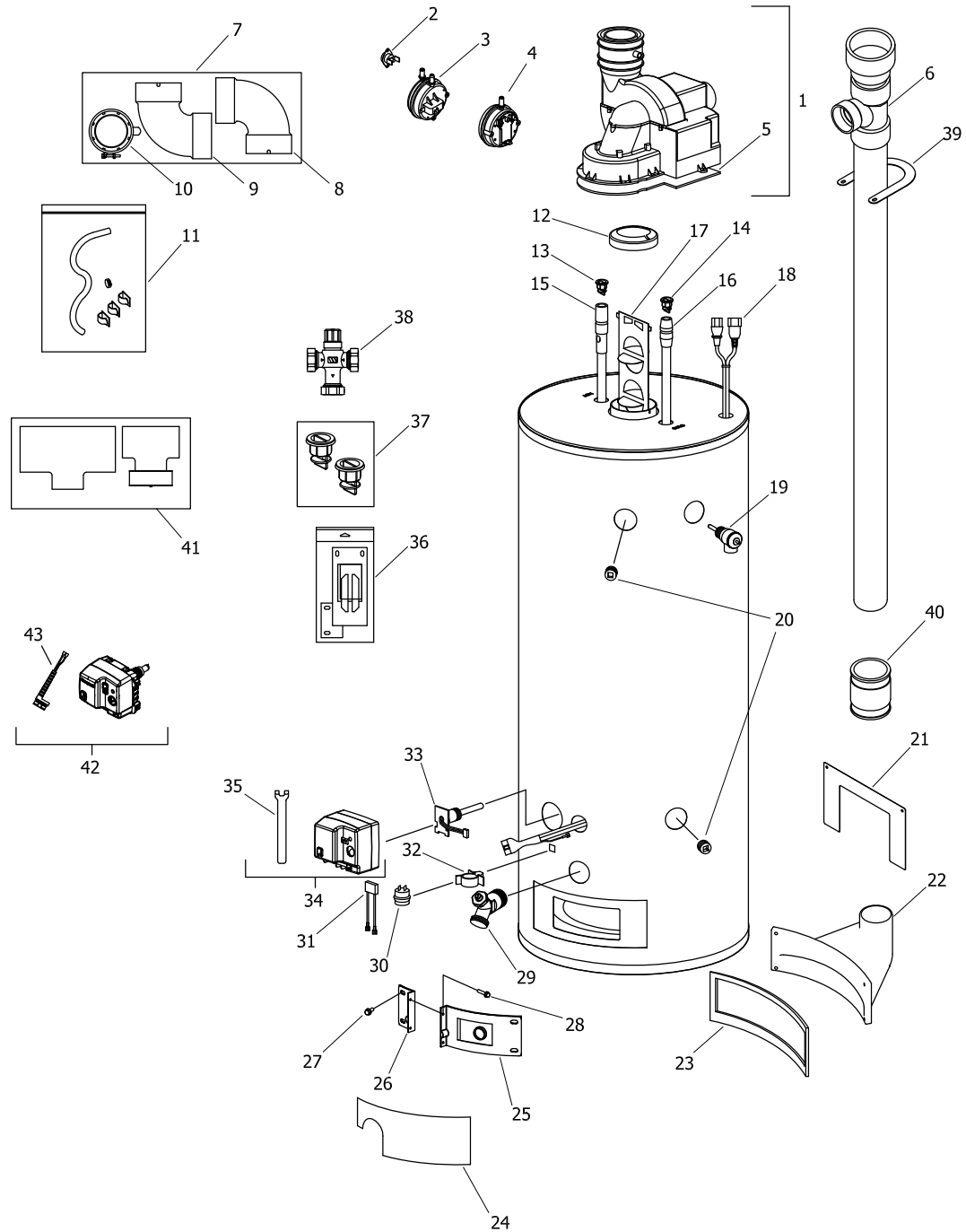
‡ Serial # FF12046598 and after.

■ Serial # FF12046598 to GF13535156.

◆ Serial # GF13535157 and after.

<sup>1</sup> Prior to serial # GK14048618.

<sup>2</sup> Serial # GK14048618 and after.





Item	Description	Model	Model
		PDX65S65F(B*N, S*X, C*X)	PDX75S70F(B*N, S*X, C*X)
28	Screw-#8-18 x 3/4 HWH	239-44195-00	239-44195-00
29	Brass Drain Valve	415-42351-02	415-42351-02
30	Flammable Vapor Sensor	415-45560-00	415-45560-00
31	Sensor Harness	239-45620-00	239-45620-00
32	Flammable Vapor Sensor Clip	239-45648-00	239-45648-00
33	Thermal Well	233-45651-01 †	233-45651-02 †
	Thermal Well	233-45651-02 ‡	233-45651-02 ‡
34	Gas Valve Natural Gas◆◆◆	---	---
	Gas Valve LP Gas◆◆◆	415-45614-02	415-45614-02
35	Gas Valve Service Tool	239-45991-00	239-45991-00
36	Inner Door Gasket Kit	239-44078-00 †	239-44078-00 †
	Inner Door Gasket Kit	239-44078-00 ‡	239-47792-00 ‡
37	Heat Trap Insert Kit	265-45419-00	265-45419-00
38	ASSE Approved Mixing Valve (Optional)	239-51778-00	239-51778-00
39	Bracket-Vertical intake	239-47671-01 ‡	239-47671-01 ‡
40	Coupling-2 X 2	239-47850-00 ‡	239-47850-00 ‡
41	Air Inlet Relief Device	239-48392-00	239-48392-00
42	Gas Valve Natural Gas◆◆	415-48795-04	415-48795-04
	Gas Valve LP Gas◆◆	415-48796-04	415-48796-04
43	Flammable Vapor Sensor Harness◆◆	239-49791-00	239-49791-00

\*Applies to all warranties

\*\*Inner door gasket kit recommended

\*\*\*Ordering a complete burner assembly may increase delivery time.

Please order the specific component required for the quickest delivery.

▲ Order with item 13

▲▲ Order with item 14

† Serial # Prior to FF12046598.

‡ Serial # FF12046598 and after.

■ Serial # FF12046598 to GF13535156.

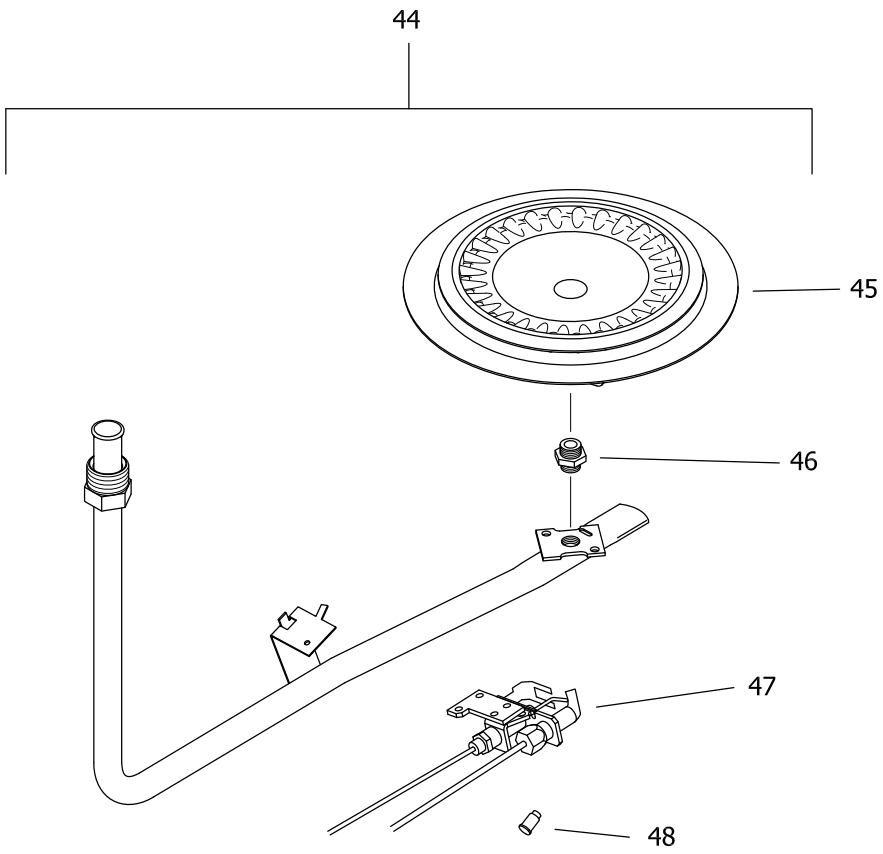
◆ Serial # GF13535157 and after.

◆◆ Serial # starting with K or later.

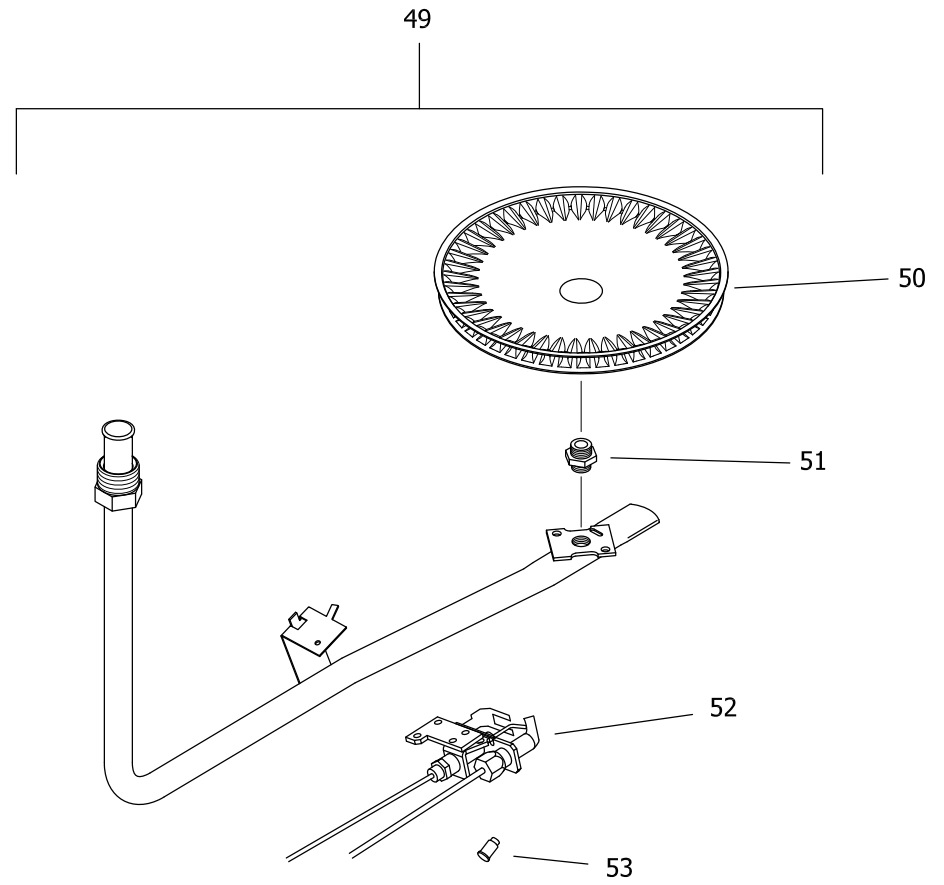
◆◆◆ Serial # starting with J or sooner.

<sup>1</sup> Prior to serial #G K14048618.

<sup>2</sup> Serial # GK14048618 and after.



NATURAL GAS (BN) BURNER ASSEMBLY



LP GAS (SX) BURNER ASSEMBLY

Item	Description	Model	Model
		PDX65S65F(B*N, S*X, C*X)	PDX75S70F(B*N, S*X, C*X)
<b>Natural Gas BN Burner Assembly</b>			
44	Nat. Gas Burner Assembly Complete***	265-47439-09-27 †	265-45652-05-25 †
	Nat. Gas Burner Assembly Complete***	265-47784-03-27 ‡	265-47785-01-25 ‡
	Nat. Gas Burner Assembly Complete***	265-47784-03-27 ◆	265-47785-01-25 ◆
45	Nat. Gas (BN) Burner**	228-42506-00	228-47000-00
46	Nat. Gas (BN) Main Burner Orifice**	234-41034-27	234-41034-25
	Nat. Gas (BN)High Altitude 2001 Ft. to 5000 Ft.**	234-41034-29	234-41034-27
	Nat. Gas (BN)High Altitude 5001 Ft. to 8000 Ft.**	234-41034-31	234-41034-30
	Nat. Gas (BN)High Altitude Over 8000 Ft.**	234-41034-31	234-41034-30
47	Nat. Gas Pilot Assembly**	415-45653-05	415-45653-05
48	Nat. Gas Pilot Orifice**	234-45869-01	234-45869-01
<b>LP Gas (SX) Titanium Stabilized Stainless Steel Burner Assembly</b>		<b>(Replacement for LP Gas (CX) Cast Iron Burner)</b>	
49	LP Gas Burner Assembly Complete***	265-47440-16-44 †	265-47119-04-42 †
	LP Gas Burner Assembly Complete***	265-47376-02-44 ‡	265-47376-03-42 ‡
50	LP Gas (SX) Burner**	228-47000-00	228-47000-00
51	LP Gas (SX) Main Burner Orifice**	234-47064-44	234-47064-42
	LP Gas (SX) High Altitude 2001 Ft. to 5000 Ft.**	234-47064-47	234-47064-44
	LP Gas (SX) High Altitude 5001 Ft. to 8000 Ft.**	234-47064-48	234-47064-45
	LP Gas (SX) High Altitude Over 8000 Ft.**	234-47064-49	234-47064-47
52	LP Gas (SX) Pilot Assembly**	415-45653-04	415-45653-04
53	LP Gas (SX) Pilot Orifice**	234-45869-02	234-45869-02
	LP to Natural Gas Conversion Kit (Norm Alt.)	265-46493-33 †	265-46493-34 †
	LP to Natural Gas Conversion Kit (High Alt.)	265-46493-36 †	265-46493-37 †
	LP to Natural Gas Conversion Kit (Norm Alt.)	265-46493-53 ‡	265-46493-51 ‡
	LP to Natural Gas Conversion Kit (High Alt.)	265-46493-61 ‡	265-46493-62 ‡

\*Applies to all warranties

\*\*Inner door gasket kit recommended

\*\*\*Ordering a complete burner assembly may increase delivery time.

Please order the specific component required for the quickest delivery.

▲ Order with item 13

▲▲ Order with item 14

† Serial # Prior to FF12046598.

‡ Serial # FF12046598 and after.

■ Serial # FF12046598 to GF13535156.

◆ Serial # GF13535157 and after.

<sup>1</sup> Prior to serial #GK14048618.

<sup>2</sup> Serial # GK14048618 and after.



## United States

---

**Sales** 1-800-523-2931  
**Technical Support** 1-800-334-3393  
**Email** [techsupport@bradfordwhite.com](mailto:techsupport@bradfordwhite.com)  
**Warranty** 1-800-531-2111  
**Email** [warranty@bradfordwhite.com](mailto:warranty@bradfordwhite.com)  
**Service Parts** 1-800-538-2020  
**Email** [parts@bradfordwhite.com](mailto:parts@bradfordwhite.com)

## Canada

---

**Sales** 1-866-690-0961 1-905-203-0600  
**Fax** 905-636-0666  
**Warranty** 1-800-531-2111  
**Email** [warranty@bradfordwhite.com](mailto:warranty@bradfordwhite.com)  
**Technical Support** 1-800-334-3393  
**Email** [techsupport@bradfordwhite.com](mailto:techsupport@bradfordwhite.com)  
**Service Parts and Orders** [ca.orders@bradfordwhite.com](mailto:ca.orders@bradfordwhite.com)

For U.S. and Canada field service, contact your professional installer or local Bradford White sales representative.

## International

---

**General Contact** [international@bradfordwhite.com](mailto:international@bradfordwhite.com)