



RESIDENTIAL GAS REPLACEMENT PARTS LIST

Combi™ TTW® Models



Models Covered:
C(D,S)W2TW50T10F(BN,CX,SX)
C(D,S)W2TW75T10(BN,CX,SX)
*Denotes warranty year

Effective: October, 2024
ECO 8780

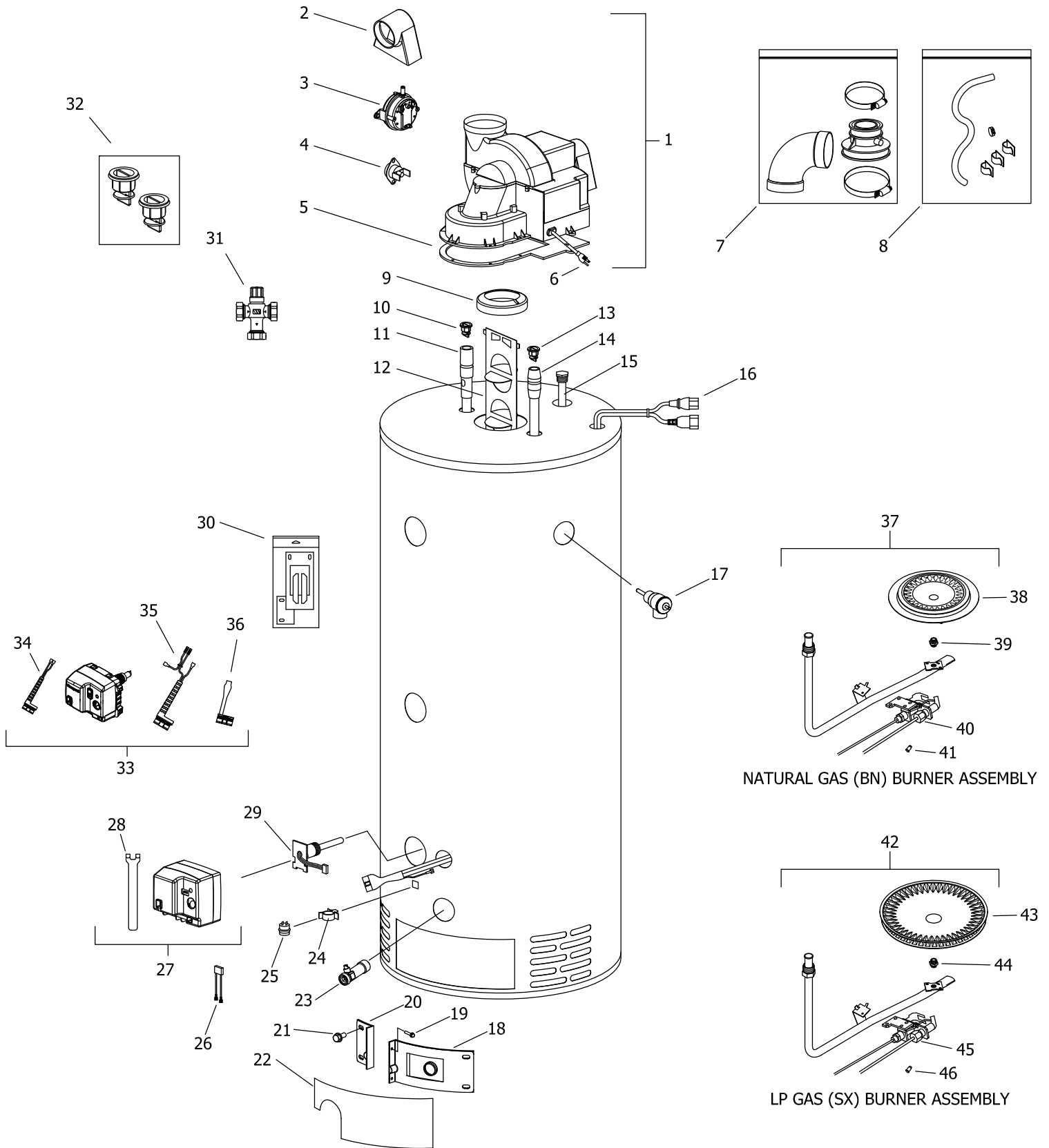
**NOTE: BOTH MODEL AND SERIAL
NUMBERS ARE REQUIRED FOR
ORDERING REPLACEMENT PARTS**

Dimensions and specifications
subject to change without notice.

WARNING
CANCER AND REPRODUCTIVE HARM
WWW.P65WARNINGS.CA.GOV

As required by the state of California Proposition 65.

CDW2TW50T SERIES



NATURAL GAS (BN) BURNER ASSEMBLY

LP GAS (SX) BURNER ASSEMBLY

LP GAS (SX) BURNER ASSEMBLY TO REPLACE LP GAS (CX) BURNER ASSEMBLY
ON ALL MODELS EXCEPT 75 & 100 GAL. NON-DEFENDER MODELS

Item	Description	Model
		C(D,S)W2TW50T10F(BN,CX,SX)
1	Blower Complete (Normal altitude)	415-45583-00
	Blower Complete (High altitude)	243-45986-00
2	Air Mixing Inlet	239-45868-00
3	Pressure Switch (Normal altitude)	415-45867-02
	Pressure Switch (High altitude)	415-45867-04
4	Blower Temperature Switch	415-45865-00
5	Blower Gasket	239-45866-00
6	Blower Power Cord	239-45990-00
7	3" Vent Adaptor with Vent Terminal	239-46264-00
8	Condensate Hose Kit (Optional)	415-45875-00
9	Flue Reducer	243-42572-00
10	Heat Trap Insert (Outlet)	415-45167-00
11	Hot Water Outlet Anode (Aluminum) ▲	415-55484-00
	Hot Water Outlet Anode (A420 Aluminum) ▲#	415-55486-00
12	Flue Baffle	239-45373-00
13	Heat Trap Insert (Inlet)	415-45073-00
14	Cold Water Inlet Dip Tube ▲ ▲	415-45092-01
15	Plug Type Anode (Aluminum)	415-55485-00
16	Blower Harness	239-45617-02
17	T&P Valve	415-40594-02
18	Right Side Inner Door	239-45642-18
19	Screw #8-15 x 3/4	239-44195-00
20	Left Side Inner Door	239-43968-18
21	Screw #10-12 x 3/4	239-52581-00
22	Outer Door	243-43962-00
23	Brass Drain Valve	415-48070-02
24	Flammable Vapor Sensor Clip	239-45648-00
25	Flammable Vapor Sensor	415-45560-00
26	Sensor Harness	239-45620-00
27	Gas Valve Natural Gas◆	415-45613-02
	Gas Valve LP Gas◆	415-45614-02
28	Gas Valve Service Tool◆	239-45991-00
29	Thermal Well◆	239-45651-02
30	Kit-Inner Door Gasket	239-44078-00
31	ASSE Approved Mixing Valve	239-51778-00
32	Kit-Heat Trap Insert	265-45419-00
33	Gas Valve Natural Gas◆◆	415-48795-04
	Gas Valve LP Gas◆◆	415-48796-04
34	Flammable Vapor Sensor Harness◆◆	239-49791-00
35	FV Sensor and Thermal Switch Harness◆◆	239-50066-00
36	Simulated Resistive Device Harness◆◆	239-49817-00
	Natural Gas (BN) Burner Assembly	
37	Nat. Gas (BN) Burner Assembly Complete**	265-47439-06-26
38	Nat. Gas (BN) Burner*	228-42506-00
39	Nat. Gas (BN) Main Burner Orifice*	234-41034-26
	Nat. Gas (BN) High Altitude 2000 Ft. to 5000 Ft.*	234-41034-29
	Nat. Gas (BN) High Altitude 5000 Ft. to 8000 Ft.*	234-41034-30
	Nat. Gas (BN) High Altitude Over 8000 Ft.*	234-41034-31
40	Nat. Gas Pilot Assembly*	233-45653-02
41	Nat. Gas Pilot Orifice*	234-45869-01
	LP Gas (SX) Burner Assembly Replacement for LP Gas (CX) Cast Iron Burner Assembly	
42	LP Gas (SX) Burner Assembly Complete**	265-47440-10-43
43	LP Gas (SX) Burner*	228-47000-00
44	LP Gas (SX) Main Burner Orifice*	234-35928-43
	LP Gas (SX) High Altitude 2000 Ft. to 5000 Ft.*	234-35928-44
	LP Gas (SX) High Altitude 5000 Ft. to 8000 Ft.*	234-35928-47
	LP Gas (SX) High Altitude Over 8000 Ft.*	234-35928-47
45	LP Gas Pilot Assembly*	233-45653-04
46	LP Gas Pilot Orifice*	234-45869-02

* Inner door gasket kit recommended

** Ordering a complete burner assembly may increase delivery time. Please order the specific component required for the quickest delivery.

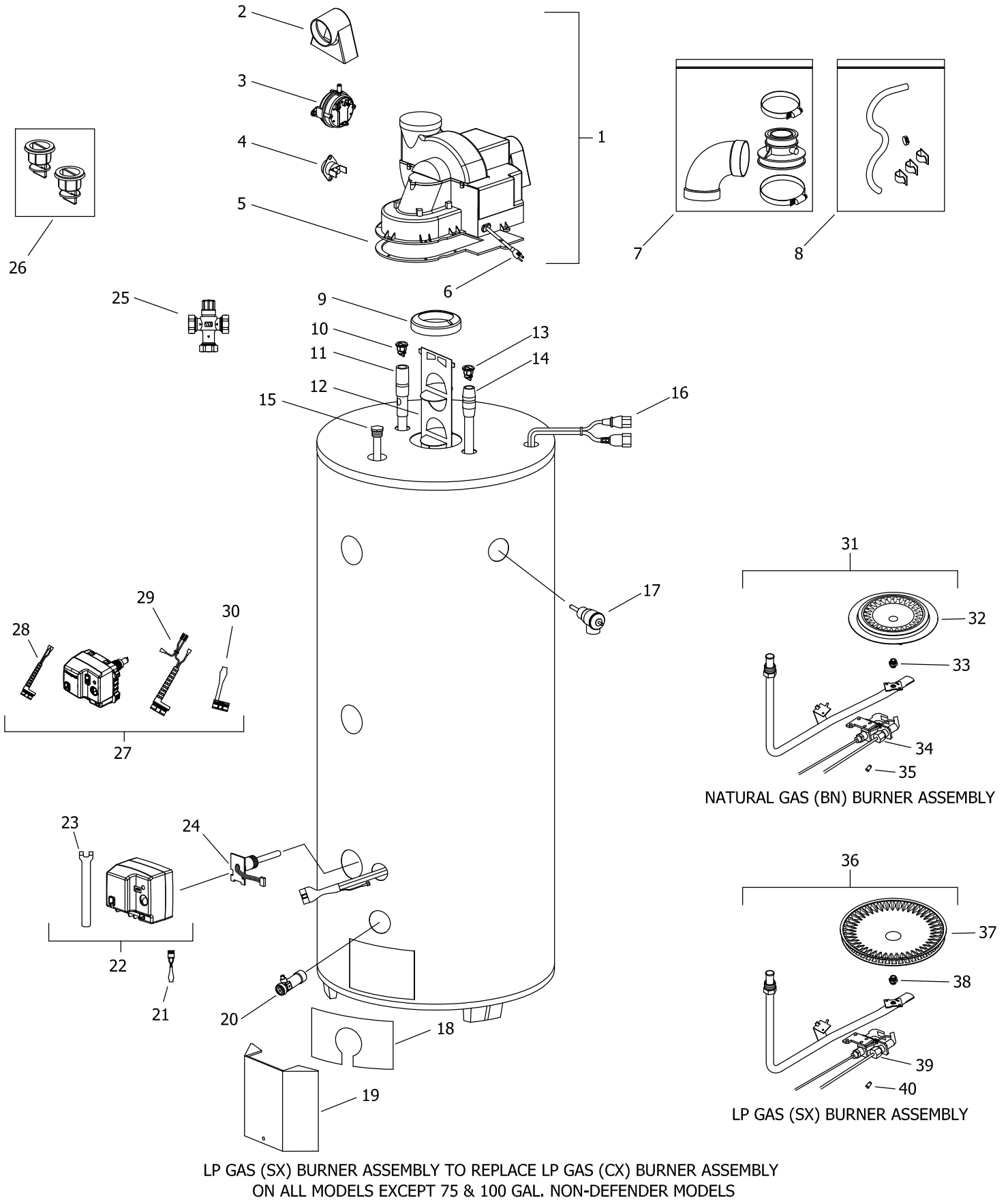
▲ Order with item 10.

▲▲ Order with item 13.

A420 Anode may need to be cut to length

◆ For serial numbers beginning with "J" or sooner

CDW2TW75T SERIES



Item	Description	Model
		C(D,S)W2TW75T10(BN,CX,SX)
1	Blower Complete (Normal altitude)	415-45583-00
	Blower Complete (High altitude)	243-45986-00
2	Air Mixing Inlet	239-45868-00
3	Pressure Switch (Normal altitude)	415-45867-02
	Pressure Switch (High altitude)	415-45867-04
4	Blower Temperature Switch	415-45865-00
5	Blower Gasket	239-45866-00
6	Blower Power Cord	239-45990-00
7	3" Vent Adaptor with Vent Terminal	239-46264-00
8	Condensate Hose Kit (Optional)	415-45875-00
9	Flue Reducer	243-42572-00
10	Heat Trap Insert (Outlet)	415-45073-00
11	Hot Water Outlet Anode (Aluminum) ▲	415-55484-00
	Hot Water Outlet Anode (A420 Aluminum) ▲#	415-55486-00
12	Flue Baffle	239-45373-00
13	Heat Trap Insert (Inlet)	415-45073-00
14	Cold Water Inlet Dip Tube ▲ ▲	415-51230-12
15	Plug Type Anode (Aluminum)	415-55485-00
16	Blower Harness	239-45617-02
17	T&P Valve	415-40594-02
18	Inner Door	243-39207-00
19	Outer Door	243-37177-00
20	Brass Drain Valve	415-48070-02
21	Harness Simulated Resistive Device♦	239-45949-00
22	Gas Valve Natural Gas♦	415-45613-02
	Gas Valve LP Gas♦	415-45614-02
23	Gas Valve Service Tool♦	239-45991-00
24	Thermal Well♦	239-45651-02
25	ASSE Approved Mixing Valve	239-51778-00
26	Kit-Heat Trap Insert	265-45419-00
27	Gas Valve Natural Gas♦♦	415-48795-04
	Gas Valve LP Gas♦♦	415-48796-04
28	Flammable Vapor Sensor Harness♦♦	239-49791-00
29	FV Sensor and Thermal Switch Harness♦♦	239-50066-00
30	Simulated Resistive Device Harness♦♦	239-49817-00
Natural Gas (BN) Burner Assembly		
31	Nat. Gas (BN) Burner Assembly Complete**	265-45652-03-21
32	Nat. Gas (BN) Burner*	228-42506-00
33	Nat. Gas (BN) Main Burner Orifice*	234-41034-21
	Nat. Gas (BN) High Altitude 2000 Ft. to 5000 Ft.*	234-41034-29
	Nat. Gas (BN) High Altitude 5000 Ft. to 8000 Ft.*	234-41034-30
	Nat. Gas (BN) High Altitude Over 8000 Ft.*	234-41034-31
34	Nat. Gas Pilot Assembly*	233-45653-02
35	Nat. Gas Pilot Orifice*	234-45869-01
LP Gas (SX) Burner Assembly Replacement for LP Gas (CX) Cast Iron Burner Assembly		
36	LP Gas (SX) Burner Assembly Complete**	265-47112-01-41
37	LP Gas (SX) Burner*	228-46938-00
38	LP Gas (SX) Main Burner Orifice*	234-47064-41
	LP Gas (SX) High Altitude 2000 Ft. to 5000 Ft.*	234-47064-44
	LP Gas (SX) High Altitude 5000 Ft. to 8000 Ft.*	234-47064-44
	LP Gas (SX) High Altitude Over 8000 Ft.*	234-47064-45
39	LP Gas Pilot Assembly*	233-45653-04
40	LP Gas Pilot Orifice*	234-45869-01

* Inner door gasket kit recommended

** Ordering a complete burner assembly may increase delivery time. Please order the specific component required for the quickest delivery.

▲ Order with item 10.

▲▲ Order with item 13.

A420 Anode may need to be cut to length

♦ For serial numbers beginning with "J" or sooner

♦♦ For serial numbers beginning with "K" or later



United States

Sales 1-800-523-2931
Technical Support 1-800-334-3393
Email techsupport@bradfordwhite.com
Warranty 1-800-531-2111
Email warranty@bradfordwhite.com
Service Parts 1-800-538-2020
Email parts@bradfordwhite.com

Canada

Sales 1-866-690-0961 1-905-203-0600
Fax 905-636-0666
Warranty 1-800-531-2111
Email warranty@bradfordwhite.com
Technical Support 1-800-334-3393
Email techsupport@bradfordwhite.com
Service Parts and Orders ca.orders@bradfordwhite.com

For U.S. and Canada field service, contact your professional installer or local Bradford White sales representative.

International

General Contact international@bradfordwhite.com