



Residential Gas Replacement Parts List

Combi2™ Models



Models Covered:
C(D,S)W2504T10F(BN,CX,SX)(-500,-600)
C(D,S)W275T10(BN,CX,SX)(-500,-600)

Includes Hydrojet®
Total Performance System

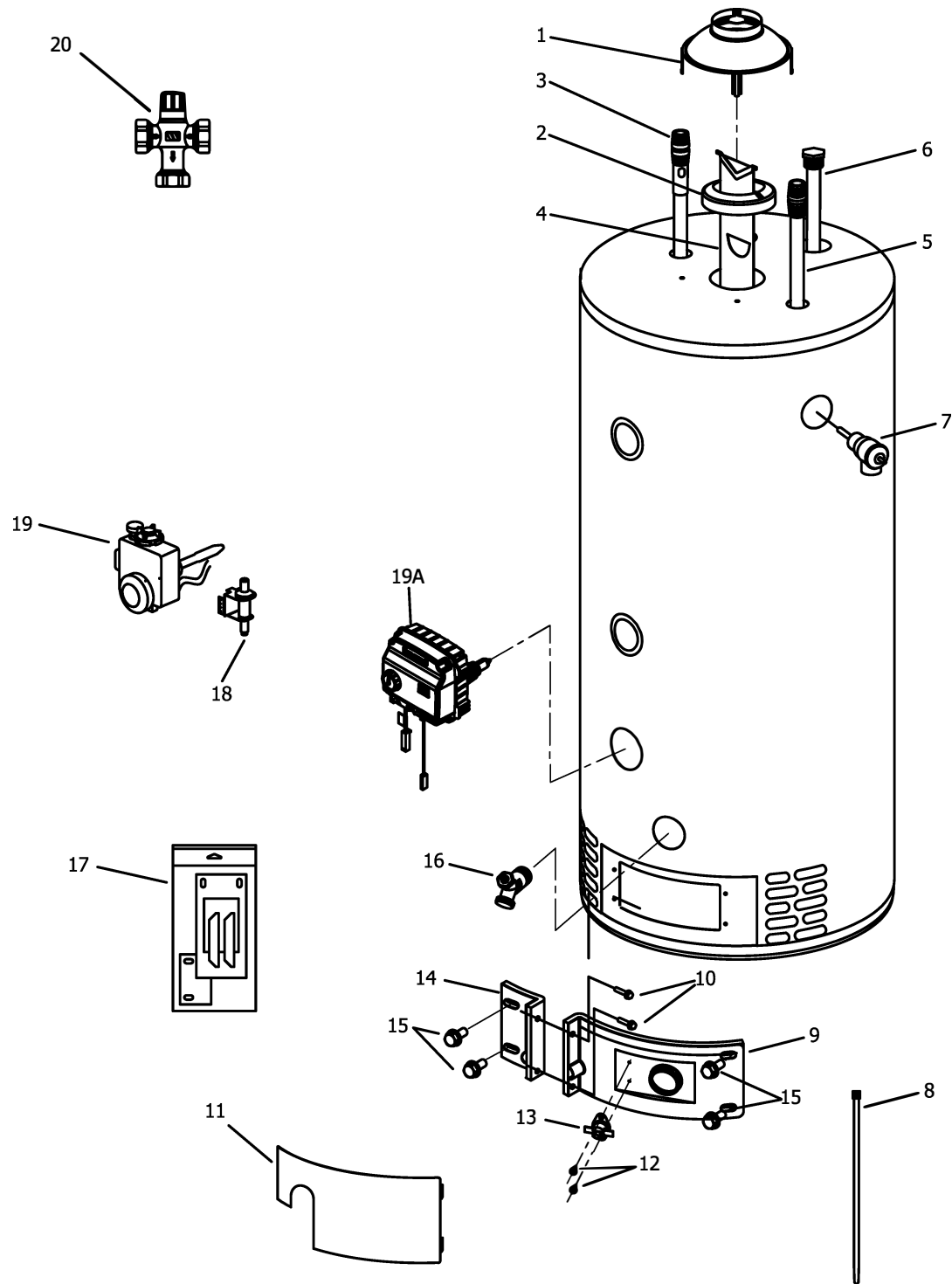
Effective: May, 2024
ECO 8784

**NOTE: BOTH MODEL AND SERIAL
NUMBERS ARE REQUIRED FOR
ORDERING REPLACEMENT PARTS**

Dimensions and specifications
subject to change without notice.



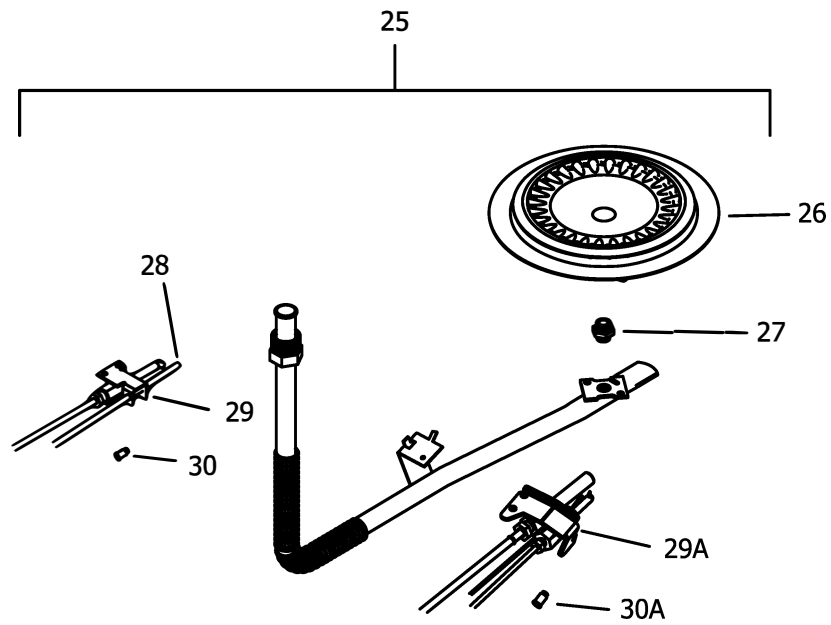
As required by the state of California Proposition 65.



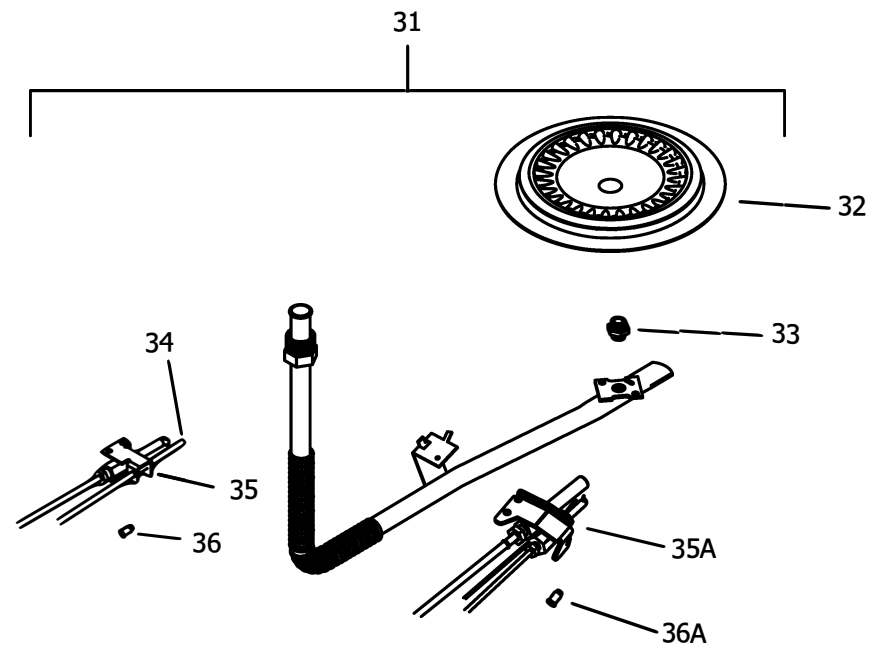
Item	Description	Model
		C(D,S)W2504T10F(BN,CX,SX)
1	Draft Hood	239-33081-02-20-15
2	Flue Reducer	221-36920-00
3	Hot Water Outlet Anode Aluminum #	415-32999-13
	A420 (Aluminum Anode)#	415-49560-05
4	Flue Baffle	243-41037-00
5	Cold Water Inlet Dip Tube PEX	415-51230-16
6	Plug Type Anode Aluminum #	415-38508-03
7	T&P Relief Valve	415-40594-02
8	Wire Tie	239-44328-00
9	Right Side Inner Door Complete ♦	239-43963-07
10	Screw-#8-15 x 3/4 HWH	239-44195-00
11	Outer Door	239-43962-00
12	Screw-#6-20 x 3/8 PHCR	239-43967-00
13	Resettable Thermal Switch	415-43676-02
14	Left Side Inner Door Complete	239-43968-18
15	Screw-#10-12 x 3/4 HWH	239-52581-00
16	Brass Drain Valve	415-42351-02
17	Inner Door Gasket Kit	239-44078-00
18	Piezo Igniter w/ Bracket	243-43450-00
19	White Rodgers Combination Gas Valve Natural Gas (-500)	415-46367-02
	White Rodgers Combination Gas Valve LP Gas (-500)	415-46368-03
19A	Resideo Combination Gas Valve Natural Gas	415-52908-02
	Resideo Combination Gas Valve LP Gas	415-52910-02
20	ASSE Approved Mixing Valve (Optional)	239-51778-00

♦ Includes item 13.

Anode may need to be cut to length, please see page 12 reference chart of anode length by model.



NATURAL GAS (BN) BURNER ASSEMBLY



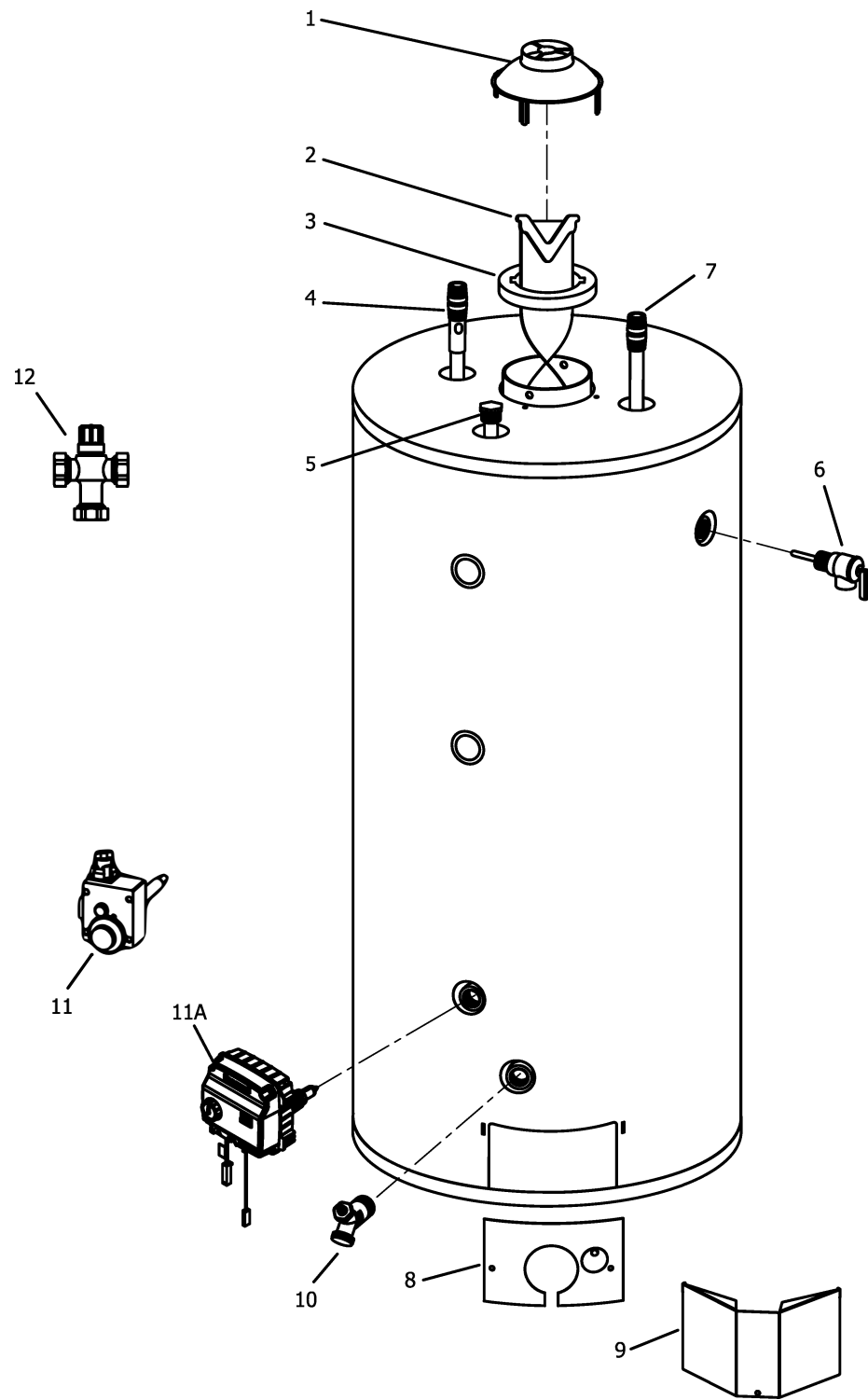
LP GAS (SX) BURNER ASSEMBLY

LP GAS (SX) BURNER ASSEMBLY TO REPLACE LP GAS (CX) BURNER ASSEMBLY
ON ALL MODELS EXCEPT 75 & 100 GAL. MODELS

Item	Description	Model
	Natural Gas BN Burner Assembly	C(D,S)W2504T10F(BN,CX,SX)
25	Nat. Gas Burner Assembly Complete**	265-47439-07-27
26	Nat. Gas BN Burner*	228-42506-00
27	Nat. Gas Main Burner Orifice*	234-41034-27
	Nat. Gas High Altitude 2001 Ft. to 5000 Ft.*	234-41034-29
	Nat. Gas High Altitude 5001 Ft. to 8000 Ft.*	234-41034-30
	Nat. Gas High Altitude Over 8000 Ft.*	234-41034-31
28	Thermocouple* (White Rodgers) (-500)	415-46501-15
29	Nat. Gas Pilot Assembly* (White Rodgers) (-500)	233-40248-05
29A	Nat. Gas Pilot Assembly* (Resideo)	415-47845-05
30	Nat. Gas Pilot Orifice* (White Rodgers) (-500)	234-46502-05
30A	Nat. Gas Pilot Orifice* (Resideo)	234-47098-01
	LP Gas SX Burner Assembly Replacement for LP Gas CX Cast Iron Burner	
31	LP Gas Burner Assembly Complete**	265-47440-12-43
32	LP Gas SX Burner*	228-47000-00
33	LP Gas Main Burner Orifice*	234-47064-43
	LP Gas High Altitude 2001 Ft. to 5000 Ft.*	234-47064-44
	LP Gas High Altitude 5001 Ft. to 8000 Ft.*	234-47064-47
	LP Gas High Altitude Over 8000 Ft.*	234-47064-48
34	Thermocouple*	415-46501-24
35	LP Gas Pilot Assembly* (White Rodgers) (-500)	233-40261-03
35A	LP Gas Pilot Assembly* (Resideo)	415-47846-05
36	LP Gas Pilot Orifice*	234-46502-05
36A	LP Gas Pilot Orifice* (Resideo)	234-47098-02
-	LP to Natural Gas Conversion Kit (Norm Alt.)*	265-53403-25
-	LP to Natural Gas Conversion Kit (High Alt.)*	265-53403-26

* Inner door gasket kit recommended.

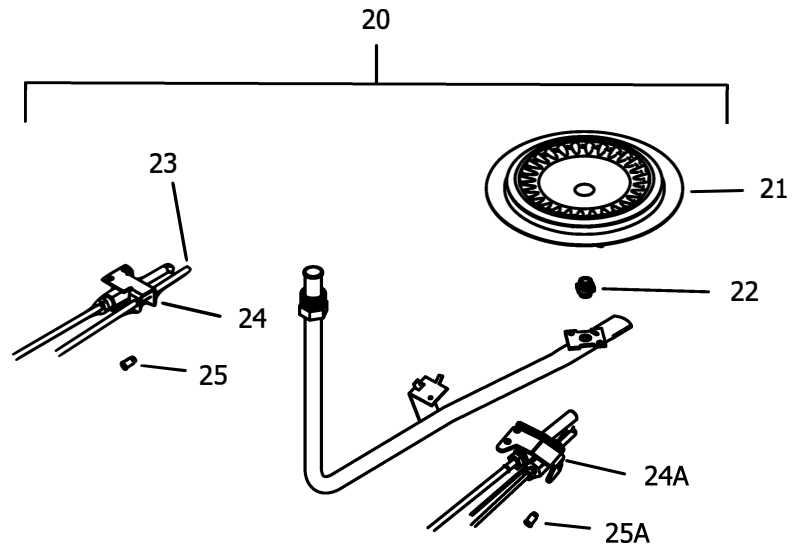
** Ordering a complete burner assembly may increase delivery time. Please order the specific component required for quickest delivery.



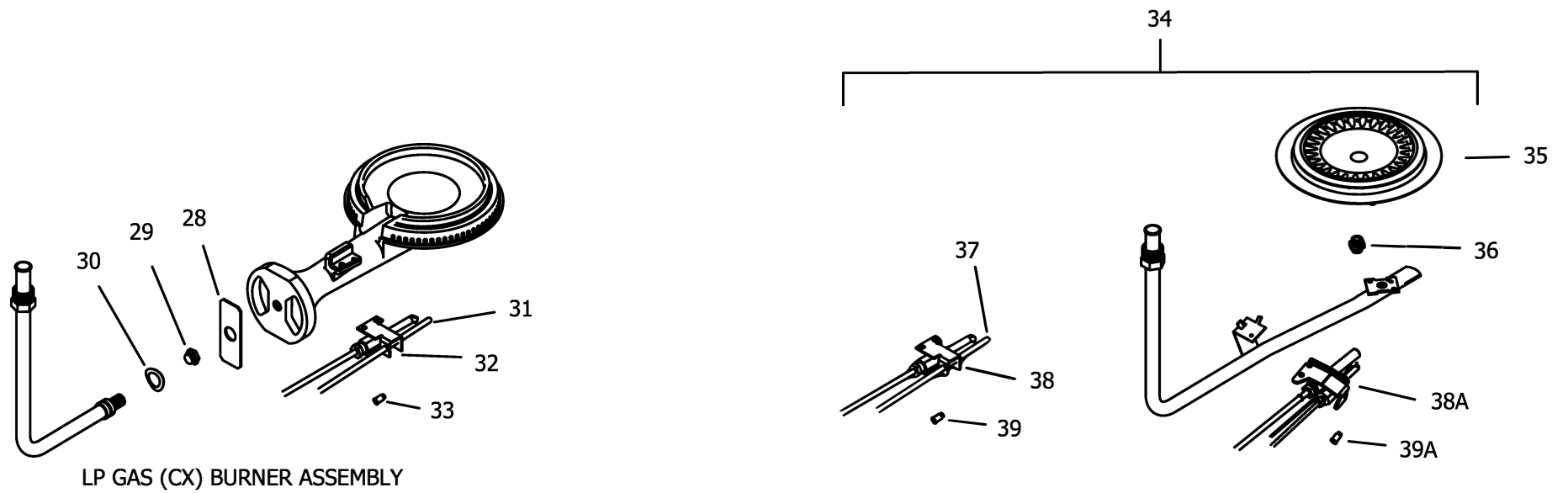
Item	Description	Model
	Natural Gas BN Burner Assembly	C(D,S)W2504T10F(BN,CX,SX)-600
20	Nat. Gas Burner Assembly Complete**	265-53623-04-27
21	Nat. Gas BN Burner*	228-42506-00
22	Nat. Gas Main Burner Orifice*	234-41034-27
	Nat. Gas High Altitude 2001 Ft. to 5000 Ft.*	234-41034-29
	Nat. Gas High Altitude 5001 Ft. to 8000 Ft.*	234-41034-30
	Nat. Gas High Altitude Over 8000 Ft.*	234-41034-31
23	Nat. Gas Pilot Assembly (SIT)	415-52946-05
	LP Gas SX Burner Assembly Replacement for LP Gas CX Cast Iron Burner	
24	LP Gas Burner Assembly Complete**	265-53637-03-43
25	LP Gas SX Burner*	228-47000-00
26	LP Gas Main Burner Orifice*	234-47064-43
	LP Gas High Altitude 2001 Ft. to 5000 Ft.*	234-47064-44
	LP Gas High Altitude 5001 Ft. to 8000 Ft.*	234-47064-47
	LP Gas High Altitude Over 8000 Ft.*	234-47064-48
27	LP Gas Pilot Assembly (SIT)	415-52947-05
-	LP to Natural Gas Conversion Kit (Norm Alt.)*	265-53621-25
-	LP to Natural Gas Conversion Kit (High Alt.)*	265-53621-26

* Inner door gasket kit recommended.

** Ordering a complete burner assembly may increase delivery time. Please order the specific component required for quickest delivery.



NATURAL GAS (BN) BURNER ASSEMBLY



LP GAS (CX) BURNER ASSEMBLY

LP GAS (SX) BURNER ASSEMBLY

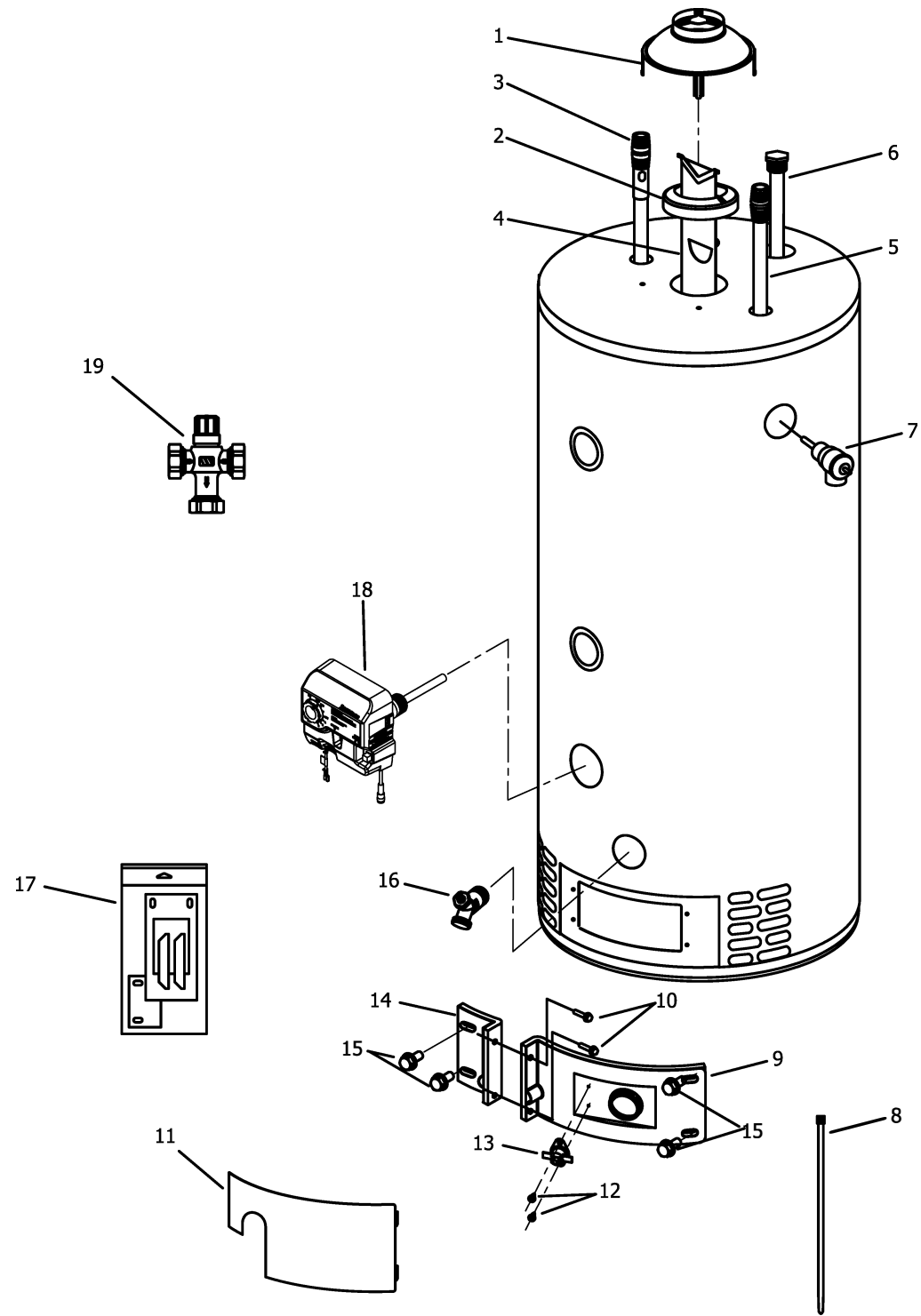
LP GAS (SX) BURNER ASSEMBLY TO REPLACE LP GAS (CX) BURNER ASSEMBLY
ON ALL MODELS EXCEPT 75 & 100 GAL. MODELS

Item	Description	Model
Natural Gas BN Burner Assembly		C(D,S)W275T10(BN,CX,SX)
20	Nat. Gas Burner Assembly Complete**	265-46998-01-22 ¹
	Nat. Gas Burner Assembly Complete**	265-48110-05-22 ⁰
21	Nat. Gas BN Burner	228-42506-00
22	Nat. Gas Main Burner Orifice	234-41034-22
	Nat. Gas High Altitude 2001 Ft. to 5000 Ft.	234-41034-26
	Nat. Gas High Altitude 5001 Ft. to 8000 Ft.	234-41034-28
	Nat. Gas High Altitude Over 8000 Ft.	234-41034-29
23	Thermocouple (White Rodgers) (-500)	415-46501-24
24	Nat. Gas Pilot (White Rodgers) (-500)	233-46277-06 ⁰
24A	Kit-Nat. Gas Pilot Assembly (Resideo)	415-47492-01 ¹
25	Nat. Gas Pilot Orifice (White Rodgers) (-500)	234-46502-05 ⁰
25A	Nat. Gas Pilot Orifice (Resideo)	234-47098-01 ¹
LP Gas CX Burner Assembly		
26	LP Gas Burner Assembly Complete**	---
27	LP Gas Cast Iron Burner	---
28	Air Shutter	239-35466-00
29	LP Gas Main Burner Orifice	234-35928-38
	LP Gas High Altitude 2001 Ft. to 5000 Ft.	234-35928-38
	LP Gas High Altitude 5001 Ft. to 8000 Ft.	234-35928-43
	LP Gas High Altitude Over 8000 Ft.	234-35928-44
30	Air Shutter Nut	239-18197-00
31	Thermocouple (White Rodgers) (-500)	415-46501-24 ⁰
32	LP Gas Pilot Assembly (White Rodgers) (-500)	233-40261-03 ⁰
33	LP Gas Pilot Orifice (White Rodgers) (-500)	234-46502-02 ⁰
LP Gas SX Burner Assembly		
34	LP Gas SX Burner Assembly Complete**	265-47011-02-38
35	LP Gas SX Burner	228-46938-00
36	LP Gas Main Burner Orifice	234-47064-38
	LP Gas High Altitude 2001 Ft. to 5000 Ft.	234-47064-41
	LP Gas High Altitude 5001 Ft. to 8000 Ft.	234-47064-43
	LP Gas High Altitude Over 8000 Ft.	234-47064-44
37	Thermocouple (White Rodgers) (-500)	415-46501-24 ⁰
38	LP Gas Pilot (White Rodgers) (-500)	233-46278-03
38A	Kit-LP Gas Pilot Assembly (Resideo)	415-47492-02 ¹
39	LP Gas Pilot Orifice (White Rodgers) (-500)	234-46502-02 ⁰
39A	LP Gas Pilot Orifice (Resideo)	234-47098-02 ¹
	LP to Natural Gas Conversion Kit (Norm Alt.)	265-53403-09
	LP to Natural Gas Conversion Kit (High Alt.)	265-53403-11

** Ordering a complete burner assembly may increase delivery time. Please order the specific component required for quickest delivery.

⁰ Serial # prior to EF10694503.

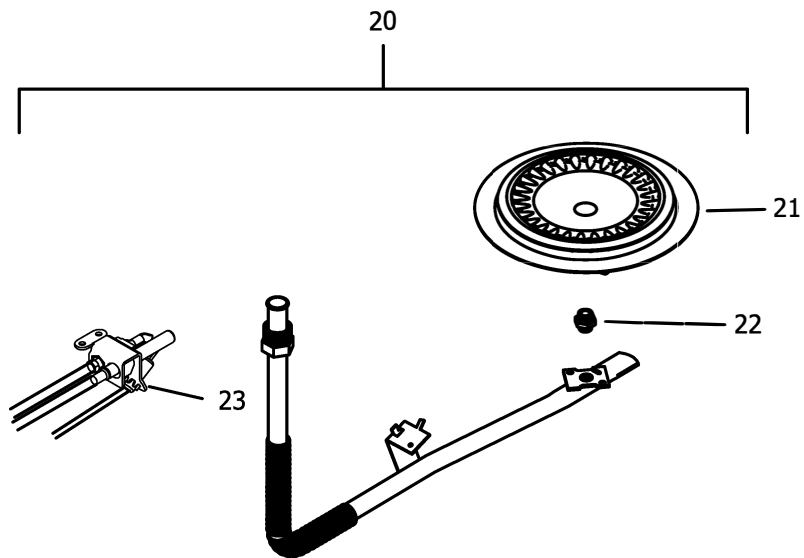
¹ Serial # EF10694504 and after.



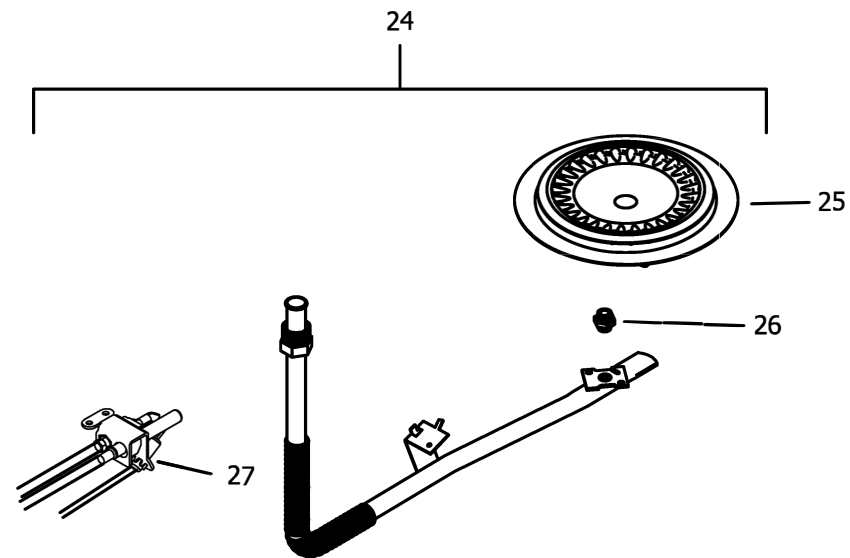
Item	Description	Model
		C(D,S)W2504T10F(BN,CX,SX)-600
1	Draft Hood	239-33081-02-20-15
2	Flue Reducer	2221-36920-00
3	Hot Water Outlet Anode Aluminum #	415-32999-13
	A420 (Aluminum Anode)#	415-49560-05
4	Flue Baffle	243-41037-00
5	Cold Water Inlet Dip Tube PEX	415-51230-16
6	Hex Head Sacrificial Anode (Aluminum) #	415-38508-03
7	T&P Relief Valve	415-40594-02
8	Wire Tie	239-44328-00
9	Right Side Inner Door Complete ♦	239-43963-07
10	Screw-#8-18 x 3/4 HWH	239-44195-00
11	Outer Door	239-43962-00
12	Screw-#6-20 x 3/8 PHCR	239-43967-00
13	Resettable Thermal Switch	415-43676-02
14	Left Side Inner Door Complete	239-43968-18
15	Screw-#10-12 x 3/4 HWH	239-52581-00
16	Brass Drain Valve	415-42351-02
17	Inner Door Gasket Kit	239-44078-00
18	SIT Combination Gas Valve Natural Gas	415-53011-02
	SIT Combination Gas Valve LP Gas	415-53014-02
19	ASSE Approved Mixing Valve (Optional)	239-51778-00

♦ Includes item 13.

Anode may need to be cut to length, please see page 12 reference chart of anode length by model.



NATURAL GAS (BN) BURNER ASSEMBLY



LP GAS (SX) BURNER ASSEMBLY

LP GAS (SX) BURNER ASSEMBLY TO REPLACE LP GAS (CX) BURNER ASSEMBLY
ON ALL MODELS EXCEPT 75 & 100 GAL. MODELS

Item	Description	Model
	Natural Gas BN Burner Assembly	C(D,S)W2504T10F(BN,CX,SX)-600
20	Nat. Gas Burner Assembly Complete**	265-53623-04-27
21	Nat. Gas BN Burner*	228-42506-00
22	Nat. Gas Main Burner Orifice*	234-41034-27
	Nat. Gas High Altitude 2001 Ft. to 5000 Ft.*	234-41034-29
	Nat. Gas High Altitude 5001 Ft. to 8000 Ft.*	234-41034-30
	Nat. Gas High Altitude Over 8000 Ft.*	234-41034-31
23	Nat. Gas Pilot Assembly (SIT)	415-52946-05
	LP Gas SX Burner Assembly Replacement for LP Gas CX Cast Iron Burner	
24	LP Gas Burner Assembly Complete**	265-53637-03-43
25	LP Gas SX Burner*	228-47000-00
26	LP Gas Main Burner Orifice*	234-47064-43
	LP Gas High Altitude 2001 Ft. to 5000 Ft.*	234-47064-44
	LP Gas High Altitude 5001 Ft. to 8000 Ft.*	234-47064-47
	LP Gas High Altitude Over 8000 Ft.*	234-47064-48
27	LP Gas Pilot Assembly (SIT)	415-52947-05
-	LP to Natural Gas Conversion Kit (Norm Alt.)*	265-53621-25
-	LP to Natural Gas Conversion Kit (High Alt.)*	265-53621-26

* Inner door gasket kit recommended.

** Ordering a complete burner assembly may increase delivery time. Please order the specific component required for quickest delivery.



United States

Sales 1-800-523-2931
Technical Support 1-800-334-3393
Email techsupport@bradfordwhite.com
Warranty 1-800-531-2111
Email warranty@bradfordwhite.com
Service Parts 1-800-538-2020
Email parts@bradfordwhite.com

Canada

Sales 1-866-690-0961 1-905-203-0600
Fax 905-636-0666
Warranty 1-800-531-2111
Email warranty@bradfordwhite.com
Technical Support 1-800-334-3393
Email techsupport@bradfordwhite.com
Service Parts and Orders ca.orders@bradfordwhite.com

For U.S. and Canada field service, contact your professional installer or local Bradford White sales representative.

International

General Contact international@bradfordwhite.com