



RESIDENTIAL & LIGHT DUTY COMMERCIAL GAS REPLACEMENT PARTS LIST

Atmospheric Gas Water Heater



Models Covered:

MI(30T, 30S, 303T)*F(BN,CX,SX)*(N,X)
MI(40T, 403S, 404T)*F(BN,CX,SX)*(N,X)
MI(503, 50L, 504S)*F(BN,CX,SX)*(N,X)
MI60T*F(BN,CX,SX)*(N,X)
M1XR403S*F(BN,CX,SX)*(N,X)
M2XR(504, 65)T*F(BN,CX,SX)*(N,X)
M4(30, 40, 60)T*F(BN,CX,SX)*(N,X)
M4(403S, 503)*F(BN,CX,SX)*(N,X)
M4503*F(BN,CX,SX)*(N,X)
(50, 65)T65F(B,C,S)*(N,X)

Includes Hydrojet®
Total Performance System

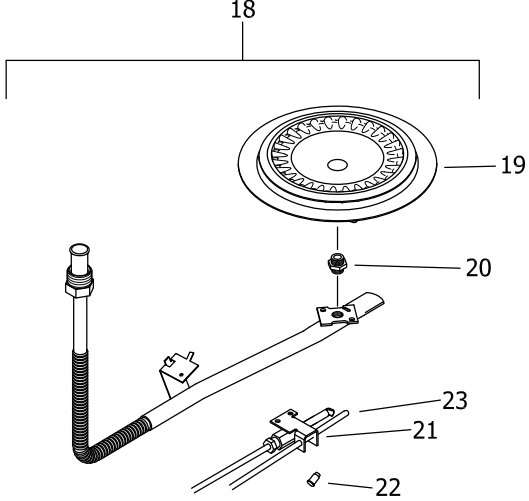
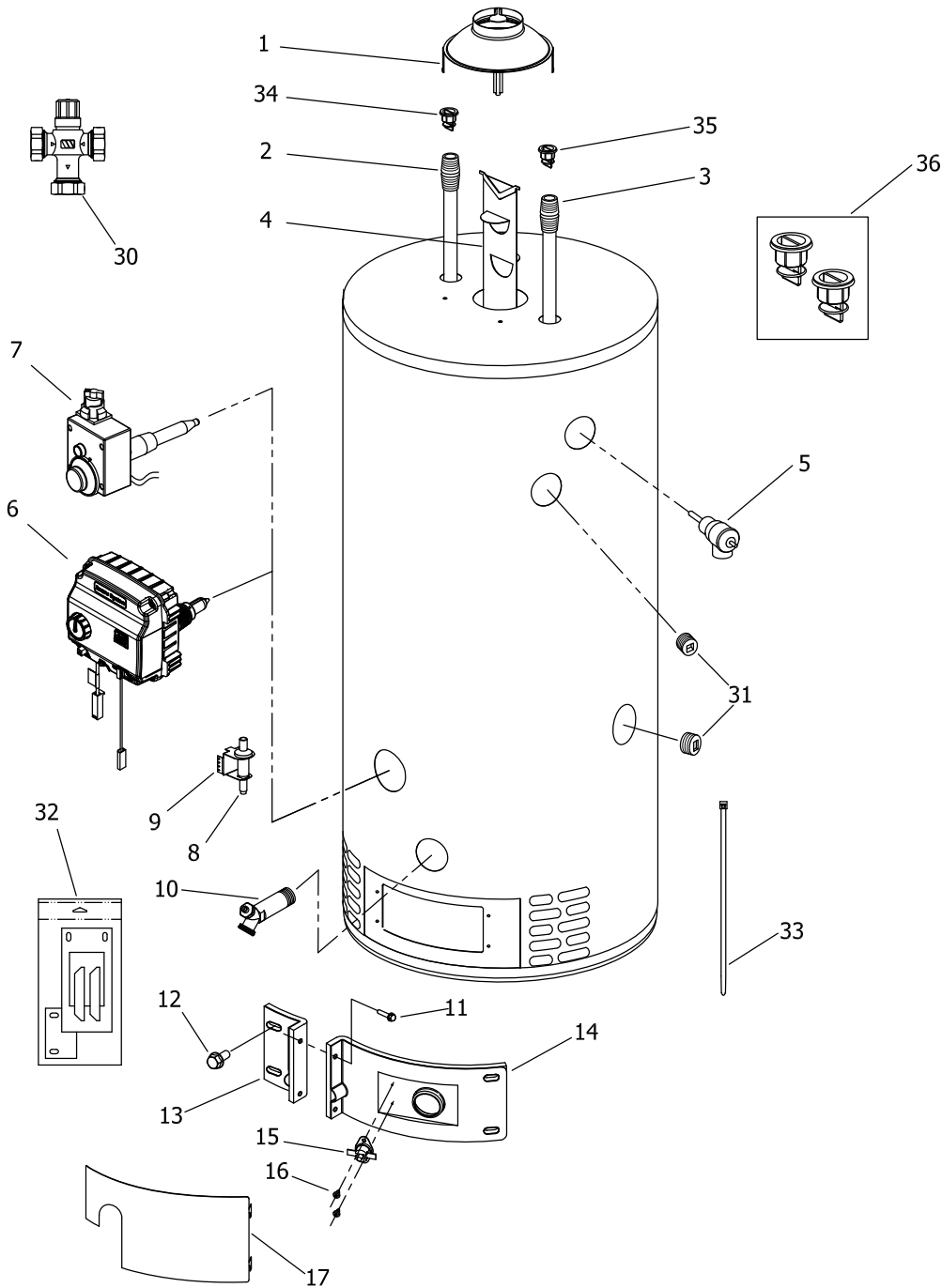
Effective: December, 2024
ECO 8780

**NOTE: BOTH MODEL AND SERIAL
NUMBERS ARE REQUIRED FOR
ORDERING REPLACEMENT PARTS**

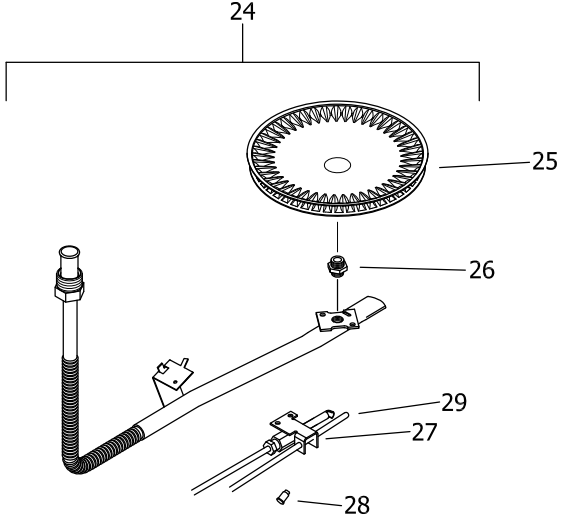
Dimensions and specifications
subject to change without notice.

WARNING
CANCER AND REPRODUCTIVE HARM
WWW.P65WARNINGS.CA.GOV

As required by the state of California Proposition 65.



NATURAL GAS (BN) BURNER ASSEMBLY



LP GAS (SX) BURNER ASSEMBLY

LP GAS (SX) BURNER ASSEMBLY TO REPLACE LP GAS (CX) BURNER ASSEMBLY
ON ALL MODELS EXCEPT 75 & 100 GAL. MODELS

Item	Description	Model MI30T*F(BN,CX,SX)	Model MI30S*F(BN,CX,SX)	Model MI30T*F(BN,CX,SX)	Model MI40T*F(BN,CX,SX)	Model MI40S*F(BN,CX,SX)
1	Draft Hood	239-45787-00	239-45787-00	239-45787-00	239-45787-00	239-45787-00
2	Hot Water Outlet Anode Magnesium▲#	415-55482-00	415-55482-00	415-55482-00	415-55482-00	415-55482-00
	Hot Water Outlet Aluminum▲#	415-55484-00	415-55484-00	415-55484-00	415-55484-00	415-55484-00
	Hot Water Outlet A420 Aluminum▲#	415-55486-00	415-55486-00	415-55486-00	415-55486-00	415-55486-00
3	Cold Water Inlet (NC Code)▲▲	415-51230-19	415-51230-20	---	415-51230-21	415-51230-24
4	Flue Baffle	243-44639-00	243-45226-00	---	239-50065-03	243-45223-00
5	T&P Relief Valve	415-32920-01	415-32920-01	415-32920-01	415-32920-01	415-32920-01
6	Gas Control Direct Replacement Natural Gas (Resideo)	415-52907-01	415-52907-01	415-52907-01	415-52907-01	415-52907-01
	Gas Control Direct Replacement LP Gas (Resideo)	415-52909-01	415-52909-01	415-52909-01	415-52909-01	415-52909-01
	Gas Control Universal Replacement Natural Gas (Resideo)	415-53359-00	415-53359-00	415-53359-00	415-53359-00	415-53359-00
	Gas Control Universal Replacement LP Gas (Resideo)	415-53360-00	415-53360-00	415-53360-00	415-53360-00	415-53360-00
7	Gas Control Direct Replacement Natural Gas (WHITE RODGERS)	415-46181-01	415-46181-01	415-46181-01	415-46181-01	415-46181-01
	Gas Control Direct Replacement LP Gas (WHITE RODGERS)	415-46182-01	415-46182-01	415-46182-01	415-46182-01	415-46182-01
8	Piezo Igniter (WHITE RODGERS)	415-43448-00	415-43448-00	415-43448-00	415-43448-00	415-43448-00
9	Piezo Bracket (WHITE RODGERS)	239-46157-02	239-46157-02	239-46157-02	239-46157-02	239-46157-02
10	Brass Drain Valve	415-42351-02	415-42351-02	415-42351-02	415-42351-02	415-42351-02
11	Screw-#8-18 x 3/4 HWH	239-44195-00	239-44195-00	239-44195-00	239-44195-00	239-44195-00
12	Screw-#10-12 x 3/4 HWH	239-52581-00	239-52581-00	239-52581-00	239-52581-00	239-52581-00
13	Left Side Inner Door Complete	239-43968-14	239-43968-16	239-43968-14	239-43968-16	239-43968-18
14	Nat. Gas Right Side Inner Door Complete	239-43963-02	239-43963-03	239-43963-02	239-43963-05	239-43963-07
	LP Gas Right Side Inner Door Complete	239-43963-02	239-43963-03	239-43963-01	239-43963-03	239-43963-07
15	Nat. Gas Resettable Thermal Switch	415-43676-03	415-43676-01	415-43676-03	415-43676-03	415-43676-02
	LP Gas Resettable Thermal Switch	415-43676-03	415-43676-01	415-43676-02	415-43676-01	415-43676-02
16	Screw-#6-20 x 3/8 PHCR	239-43967-00	239-43967-00	239-43967-00	239-43967-00	239-43967-00
17	Outer Door	239-43962-00	239-43962-00	239-43962-00	239-43962-00	239-43962-00
Natural Gas (BN) Burner Assembly						
18	Nat Gas Burner Assembly Complete***	265-47439-02-36	265-47439-04-38	265-47439-02-32	265-47439-04-32	265-47439-07-32
19	Nat. Gas (BN) Burner**	228-42506-00	228-42506-00	228-42506-00	228-42506-00	228-42506-00
20	Nat. Gas (BN) Main Burner Orifice**	234-41034-36	234-41034-38	234-41034-32	234-41034-32	234-41034-32
	Nat. Gas (BN) High Altitude 2001 Ft. to 5000 Ft.**	234-41034-39	234-41034-41	234-41034-36	234-41034-36	234-41034-36
	Nat. Gas (BN) High Altitude 5001 Ft. to 8000 Ft.**	234-41034-41	234-41034-43	234-41034-38	234-41034-38	234-41034-38
	Nat. Gas (BN) High Altitude Over 8000 Ft.**	234-41034-43	234-41034-43	234-41034-38	234-41034-38	234-41034-38
21	Nat. Gas Pilot Assembly (WHITE RODGERS)**	233-46277-04	233-46277-04	233-46277-04	233-46277-04	233-46277-04
	Nat. Gas Pilot Assembly (Resideo)**	415-47845-05	415-47845-05	415-47845-05	415-47845-05	415-47845-05
22	Nat. Gas Pilot Orifice (WHITE RODGERS)**	234-46502-05	234-46502-05	234-46502-05	234-46502-05	234-46502-05
23	Thermocouple (WHITE RODGERS)**	415-46501-15	415-46501-15	415-46501-15	415-46501-15	415-46501-15
LP Gas (SX) Titanium Stabilized Stainless Steel Burner Assembly						
(Replacement for LP Gas (CX) Cast Iron Burner)						
24	LP Gas Burner Assembly Complete***	265-47440-02-60	265-47440-05-54	265-47440-02-52	265-47440-05-52	265-47440-11-50
25	LP Gas (SX) Burner**	228-46964-00	228-46964-00	228-46964-00	228-46964-00	228-46964-00
26	LP Gas (SX) Main Burner Orifice**	234-47064-60	234-47064-54	234-47064-52	234-47064-52	234-47064-50
	LP Gas (SX) High Altitude 2001 Ft. to 5000 Ft.**	234-47064-54	234-47064-54	234-47064-53	234-47064-53	234-47064-51
	LP Gas (SX) High Altitude 5001 Ft. to 8000 Ft.**	234-47064-54	234-47064-54	234-47064-54	234-47064-54	234-47064-52
	LP Gas (SX) High Altitude Over 8000 Ft.**	234-47064-54	---	234-47064-54	234-47064-54	234-47064-53
27	LP Gas Pilot Assembly (WHITE RODGERS)**	233-46278-03	233-46278-03	233-46278-03	233-46278-03	233-46278-03
	LP Gas Pilot Assembly (Resideo)**	415-47846-05	415-47846-05	415-47846-05	415-47846-05	415-47846-05
28	LP Gas Pilot Orifice (WHITE RODGERS)**	234-46502-02	234-46502-02	234-46502-02	234-46502-02	234-46502-02
29	Thermocouple (WHITE RODGERS)**	415-46501-15	415-46501-15	415-46501-15	415-46501-15	415-46501-15
30	ASSE Approved Mixing Valve (Optional)	239-51778-00	239-51778-00	239-51778-00	239-51778-00	239-51778-00
31	Inner Door Gasket Kit	239-44078-00	239-44078-00	239-44078-00	239-44078-00	239-44078-00
32	Wire Tie	239-44328-00	239-44328-00	239-44328-00	239-44328-00	239-44328-00
33	Heat Trap Insert (Outlet)	415-45167-00	415-45167-00	415-45167-00	415-45167-00	415-45167-00
34	Heat Trap Insert (Inlet)	415-51556-00	415-51556-00	415-51556-00	415-51556-00	415-51556-00
35	Kit-Heat Trap Insert	265-51572-00	265-51572-00	265-51572-00	265-51572-00	265-51572-00
-	LP to Natural Gas Conversion Kit (Norm Alt.)	265-53745-01	265-53745-02	265-53745-03	265-53745-04	265-53745-05
-	LP to Natural Gas Conversion Kit (High Alt.)	265-53745-13	265-53745-14	265-53745-15	265-53745-16	265-53745-17

* Applies to all warranties

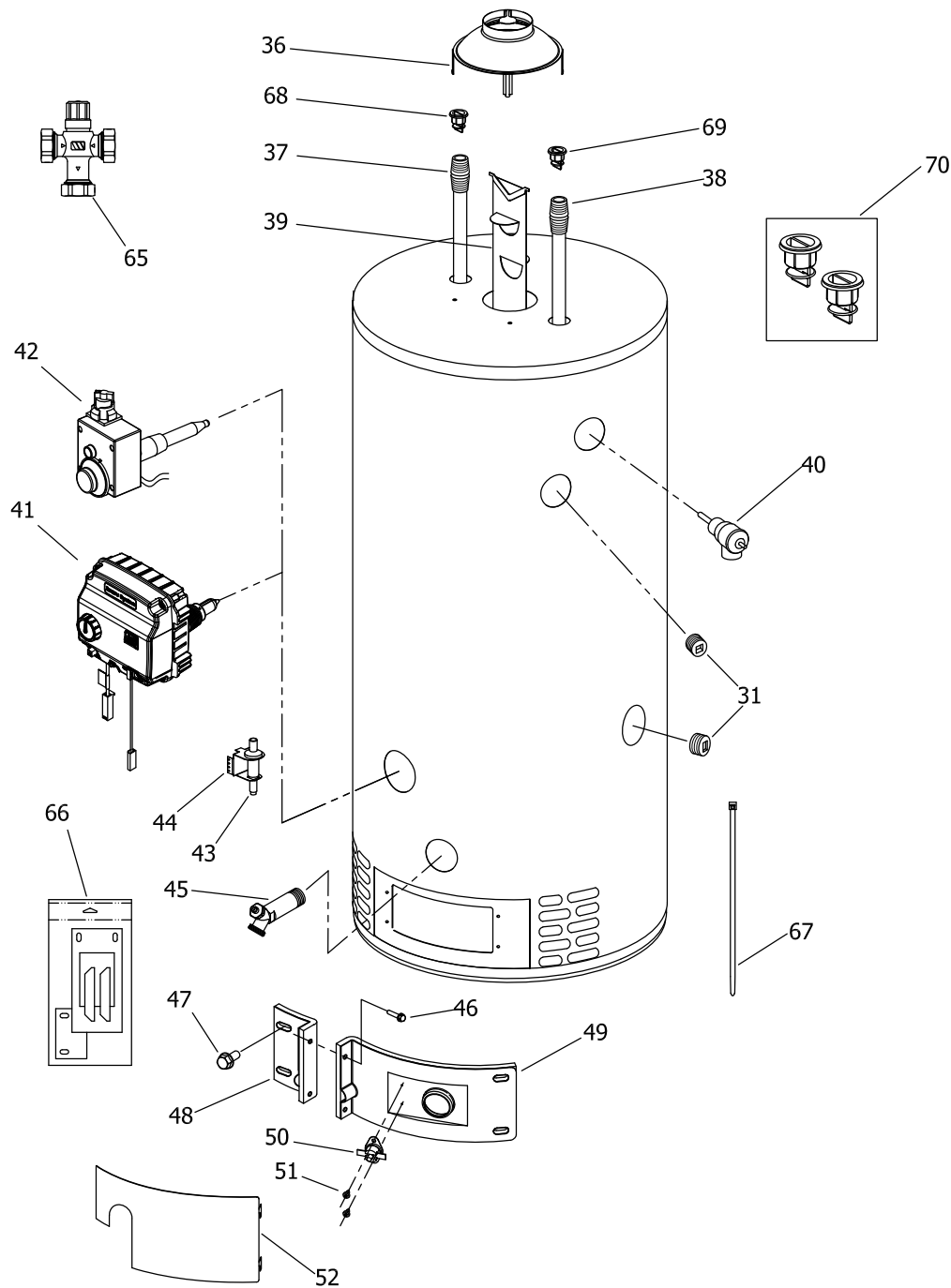
** Inner door gasket kit recommended

*** Ordering a complete burner assembly may increase delivery time. Please order the specific component required for the quickest delivery.

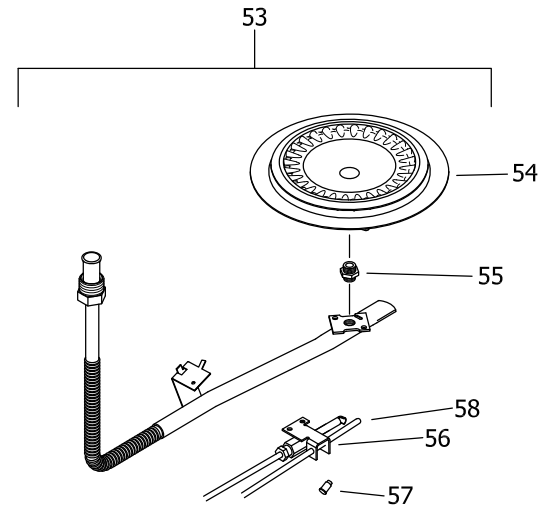
▲ Order with item 2

▲▲ Order with item 3

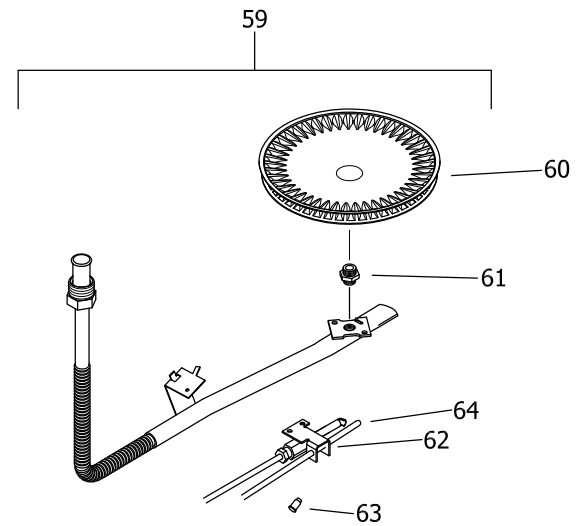
Anode may need to be cut to length, see end of this parts list for further information.



LP GAS (SX) BURNER ASSEMBLY TO REPLACE LP GAS (CX) BURNER ASSEMBLY
ON ALL MODELS EXCEPT 75 & 100 GAL. MODELS



NATURAL GAS (BN) BURNER ASSEMBLY



LP GAS (SX) BURNER ASSEMBLY

Item	Description	Model	Model	Model	Model	Model
		MI404T*F(BN,CX,SX)	MI503*F(BN,CX,SX)	MI50L*F(BN,CX,SX)	MI504S*F(BN,CX,SX)	MI60T*F(BN,CX,SX)
36	Draft Hood	239-33081-02-20-15	239-45787-00	239-45787-00	239-12950-00	239-45787-00
37	Hot Water Outlet Anode Magnesium▲#	415-55482-00	415-55482-00	415-55482-00	415-55482-00	415-55482-00
	Hot Water Outlet Aluminum▲#	415-55484-00	415-55484-00	415-55484-00	415-55484-00	415-55484-00
	Hot Water Outlet A420 Aluminum▲#	415-55486-00	415-55486-00	415-55486-00	415-55486-00	415-55486-00
38	Cold Water Inlet (NC Code)▲▲	415-51230-06	415-51230-18	415-51230-20	415-51230-26	415-51230-11
39	Flue Baffle	243-45225-00	243-44705-00	243-45223-00	243-45225-00	239-50065-03
40	T&P Relief Valve	415-32920-01	415-32920-01	415-32920-01	415-32920-01	415-32920-01
41	Gas Control Direct Replacement Natural Gas (Resideo)	415-52907-01	415-52907-01	415-52907-01	415-52907-01	415-52907-01
	Gas Control Direct Replacement LP Gas (Resideo)	415-52909-01	415-52909-01	415-52909-01	415-52909-01	415-52909-01
	Gas Control Universal Replacement Natural Gas (Resideo)	415-53359-00	415-53359-00	415-53359-00	415-53359-00	415-53359-00
	Gas Control Universal Replacement LP Gas (Resideo)	415-53360-00	415-53360-00	415-53360-00	415-53360-00	415-53360-00
42	Gas Control Direct Replacement Natural Gas (WHITE RODGERS)	415-46181-01	415-46181-01	415-46181-01	415-46181-01	415-46181-01
	Gas Control Direct Replacement LP Gas (WHITE RODGERS)	415-46182-01	415-46182-01	415-46182-01	415-46182-01	415-46182-01
43	Piezo Igniter (WHITE RODGERS)	415-43448-00	415-43448-00	415-43448-00	415-43448-00	415-43448-00
44	Piezo Bracket (WHITE RODGERS)	239-46157-02	239-46157-02	239-46157-02	239-46157-02	239-46157-02
45	Brass Drain Valve	415-42351-02	415-42351-02	415-42351-02	415-42351-02	415-42351-02
46	Screw-#8-18 x 3/4 HWH	239-44195-00	239-44195-00	239-44195-00	239-44195-00	239-44195-00
47	Screw-#10-12 x 3/4 HWH	239-52581-00	239-52581-00	239-52581-00	239-52581-00	239-52581-00
48	Left Side Inner Door Complete	239-43968-16	239-43968-18	239-43968-20	239-43968-18	239-43968-20
49	Nat. Gas Right Side Inner Door Complete	239-43963-05	239-43963-07	239-43963-09	239-43963-06	239-43963-12
	LP Gas Right Side Inner Door Complete	239-43963-05	239-43963-07	239-43963-09	239-43963-06	---
50	Nat. Gas Resettable Thermal Switch	415-43676-03	415-43676-02	415-43676-01	415-43676-01	415-43676-02
	LP Gas Resettable Thermal Switch	415-43676-03	415-43676-02	415-43676-01	415-43676-01	415-43676-03
51	Screw-#6-20 x 3/8 PHCR	239-43967-00	239-43967-00	239-43967-00	239-43967-00	239-43967-00
52	Outer Door	239-43962-00	239-43962-00	239-43962-00	239-43962-00	239-43962-00
Natural Gas (BN) Burner Assembly						
53	Nat Gas Burner Assembly Complete***	265-47439-04-30	265-47439-07-32	265-47439-10-32	265-47439-07-30	265-47439-10-32
54	Nat. Gas (BN) Burner**	228-42506-00	228-42506-00	228-42506-00	228-42506-00	228-42506-00
55	Nat. Gas (BN) Main Burner Orifice**	234-41034-30	234-41034-32	234-41034-32	234-41034-30	234-41034-32
	Nat. Gas (BN) High Altitude 2001 Ft. to 5000 Ft.**	234-41034-31	234-41034-36	234-41034-36	234-41034-31	234-41034-36
	Nat. Gas (BN) High Altitude 5001 Ft. to 8000 Ft.**	234-41034-32	234-41034-38	234-41034-38	234-41034-32	234-41034-38
	Nat. Gas (BN) High Altitude Over 8000 Ft.**	234-41034-33	234-41034-38	234-41034-38	234-41034-33	234-41034-38
56	Nat. Gas Pilot Assembly (WHITE RODGERS)**	233-46277-04	233-46277-04	233-46277-04	233-46277-04	233-46277-04
	Nat. Gas Pilot Assembly (Resideo)**	415-47845-05	415-47845-05	415-47845-05	415-47845-05	415-47845-05
57	Nat. Gas Pilot Orifice (WHITE RODGERS)**	234-46502-05	234-46502-05	234-46502-05	234-46502-05	234-46502-05
58	Thermocouple (WHITE RODGERS)**	415-46501-15	415-46501-15	415-46501-24	415-46501-15	415-46501-24
LP Gas (SX) Titanium Stabilized Stainless Steel Burner Assembly (Replacement for LP Gas (CX) Cast Iron Burner)						
59	LP Gas Burner Assembly Complete***	265-47440-06-47	265-47440-11-51	265-47440-17-50	265-47440-12-47	265-47440-17-50
60	LP Gas (SX) Burner**	228-47000-00	228-46964-00	228-46964-00	228-47000-00	228-46964-00
61	LP Gas (SX) Main Burner Orifice**	234-47064-47	234-47064-51	234-47064-50	234-47064-47	234-47064-50
	LP Gas (SX) High Altitude 2001 Ft. to 5000 Ft.**	234-47064-49	234-47064-53	234-47064-51	234-47064-49	234-47064-51
	LP Gas (SX) High Altitude 5001 Ft. to 8000 Ft.**	234-47064-50	234-47064-53	234-47064-52	234-47064-50	234-47064-52
	LP Gas (SX) High Altitude Over 8000 Ft.**	234-47064-51	234-47064-54	234-47064-53	234-47064-51	234-47064-53
62	LP Gas Pilot Assembly (WHITE RODGERS)**	233-46278-03	233-46278-03	233-46278-03	233-46278-03	233-46278-03
	LP Gas Pilot Assembly (Resideo)**	415-47846-05	415-47846-05	415-47846-05	415-47846-05	415-47846-05
63	LP Gas Pilot Orifice (WHITE RODGERS)**	234-46502-02	234-46502-02	234-46502-02	234-46502-02	234-46502-02
64	Thermocouple (WHITE RODGERS)**	415-46501-15	415-46501-15	415-46501-24	415-46501-15	415-46501-24
65	ASSE Approved Mixing Valve (Optional)	239-51778-00	239-51778-00	239-51778-00	239-51778-00	239-51778-00
66	Inner Door Gasket Kit	239-44078-00	239-44078-00	239-44078-00	239-44078-00	239-44078-00
67	Wire Tie	239-44328-00	239-44328-00	239-44328-00	239-44328-00	239-44328-00
68	Heat Trap Insert (Outlet)	415-45167-00	415-45167-00	415-45167-00	415-45167-00	415-45167-00
69	Heat Trap Insert (Inlet)	415-51556-00	415-51556-00	415-51556-00	415-51556-00	415-51556-00
70	Kit-Heat Trap Insert	265-51572-00	265-51572-00	265-51572-00	265-51572-00	265-51572-00
-	LP to Natural Gas Conversion Kit (Norm Alt.)	265-53745-06	265-53745-05	265-53745-07	265-53745-08	265-53745-27
-	LP to Natural Gas Conversion Kit (High Alt.)	265-53745-18	265-53745-17	265-53745-19	265-53745-20	265-53745-28

* Applies to all warranties

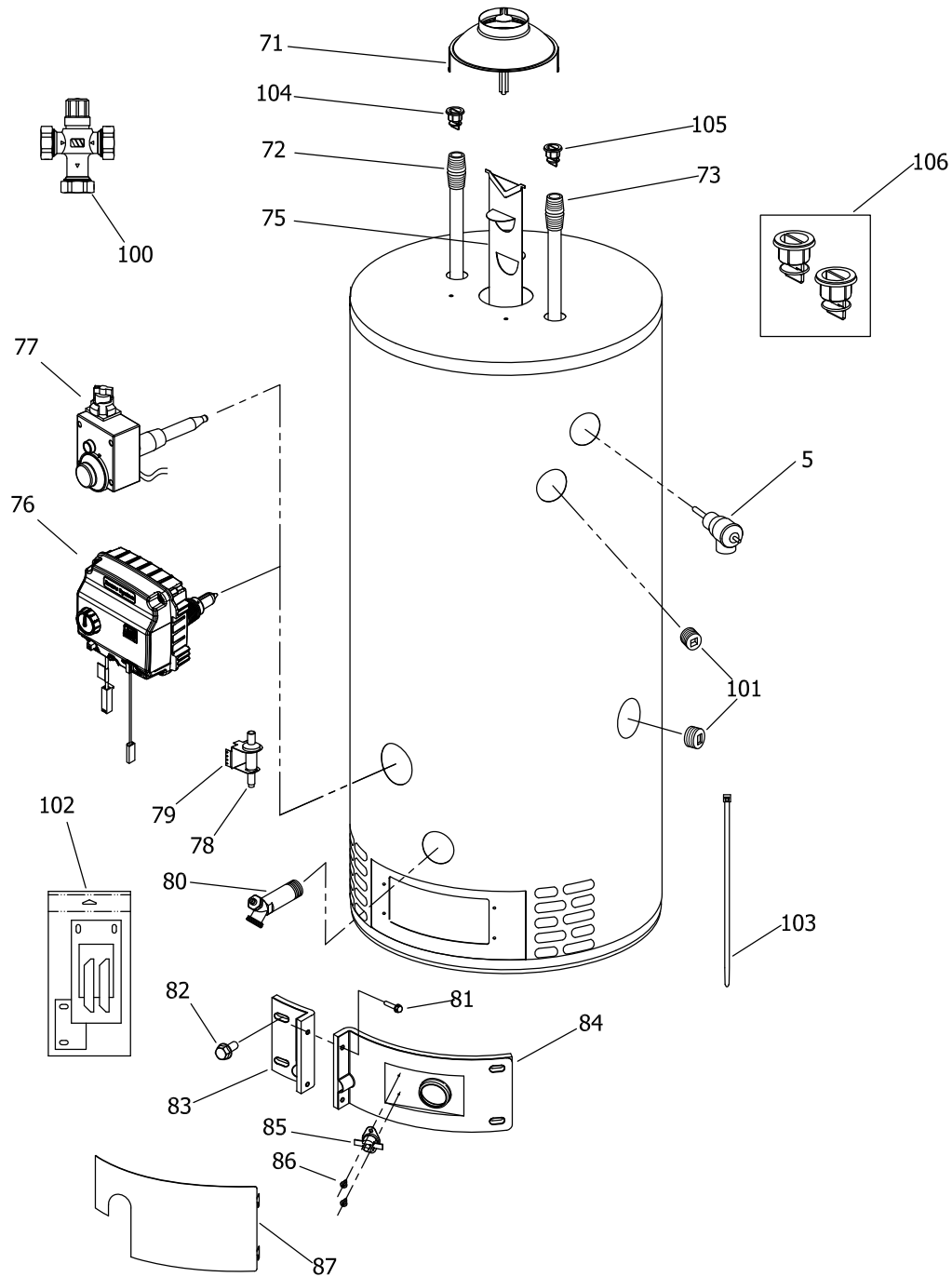
** Inner door gasket kit recommended

*** Ordering a complete burner assembly may increase delivery time. Please order the specific component required for the quickest delivery.

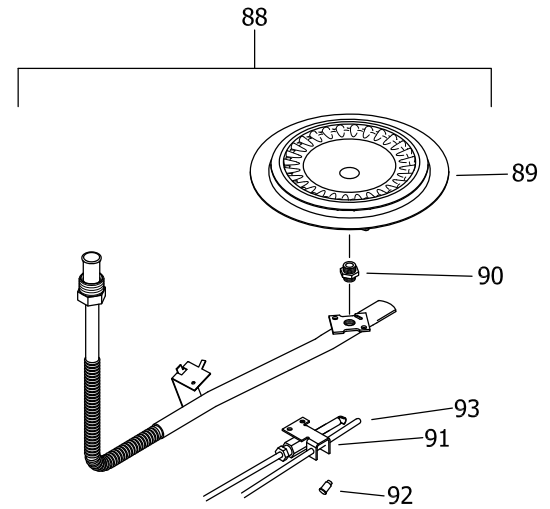
▲ Order with item 2

▲▲ Order with item 3

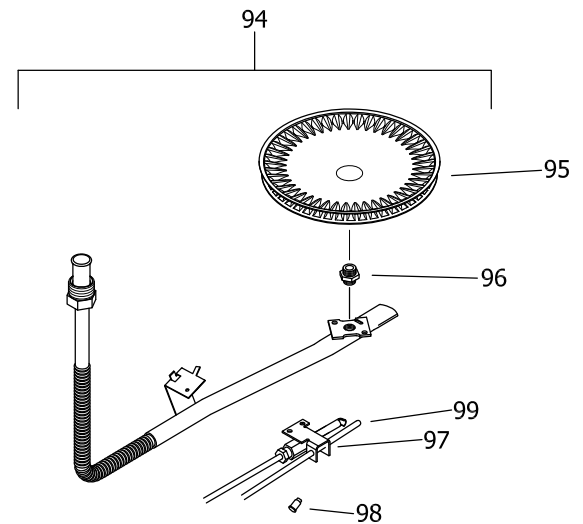
Anode may need to be cut to length, see end of this parts list for further information.



LP GAS (SX) BURNER ASSEMBLY TO REPLACE LP GAS (CX) BURNER ASSEMBLY
ON ALL MODELS EXCEPT 75 & 100 GAL. MODELS



NATURAL GAS (BN) BURNER ASSEMBLY



LP GAS (SX) BURNER ASSEMBLY

Item	Description	Model		Model		Model	
		M1XR403S*F(BN,CX,SX)	M2XR504T*F(BN,CX,SX)	M430T*F(BN,CX,SX)	M4403S*F(BN,CX,SX)	M440T*F(BN,CX,SX)	M440T*F(BN,CX,SX)
71	Draft Hood	239-45787-00	243-33081-02-20-15	239-45787-00	239-45787-00	239-45787-00	239-45787-00
72	Hot Water Outlet Anode Magnesium▲#	415-55482-00	415-55482-00	415-55482-00	415-55482-00	415-55482-00	415-55482-00
	Hot Water Outlet Aluminum▲#	415-55484-00	415-55484-00	415-55484-00	415-55484-00	415-55484-00	415-55484-00
	Hot Water Outlet A420 Aluminum▲#	415-55486-00	415-55486-00	415-55486-00	415-55486-00	415-55486-00	415-55486-00
73	Cold Water Inlet (NC Code)▲▲	415-51230-03	415-51230-15	415-51230-19	415-51230-24	415-51230-21	415-51230-21
74	Flue Baffle	243-45223-00	243-41037-00	243-44639-00	243-45223-00	239-50065-03	239-50065-03
75	T&P Relief Valve	415-32920-01	230-40594-02	230-40594-02	230-40594-02	230-40594-02	230-40594-02
76	Gas Control Direct Replacement Natural Gas (Resideo)	415-52907-01	415-52907-02	415-52907-02	415-52907-02	415-52907-02	415-52907-02
	Gas Control Direct Replacement LP Gas (Resideo)	415-52909-01	415-52909-02	415-52909-02	415-52909-02	415-52909-02	415-52909-02
	Gas Control Universal Replacement Natural Gas (Resideo)	415-53359-00	415-53359-00	415-53359-00	415-53359-00	415-53359-00	415-53359-00
	Gas Control Universal Replacement LP Gas (Resideo)	415-53360-00	415-53360-00	415-53360-00	415-53360-00	415-53360-00	415-53360-00
77	Gas Control Direct Replacement Natural Gas (WHITE RODGERS)	415-46181-01	415-46181-04	415-46181-02	415-46181-02	415-46181-02	415-46181-02
	Gas Control Direct Replacement LP Gas (WHITE RODGERS)	415-46182-01	415-46182-02	415-46182-02	415-46182-02	415-46182-02	415-46182-02
78	Piezo Igniter (WHITE RODGERS)	415-43448-00	415-43448-00	415-43448-00	415-43448-00	415-43448-00	415-43448-00
79	Piezo Bracket (WHITE RODGERS)	239-46157-02	239-46157-02	239-46157-02	239-46157-02	239-46157-02	239-46157-02
80	Brass Drain Valve	415-42351-02	415-42351-02	415-42351-02	415-42351-02	415-42351-02	415-42351-02
81	Screw-#8-18 x 3/4 HWH	239-44195-00	239-44195-00	239-44195-00	239-44195-00	239-44195-00	239-44195-00
82	Screw-#10-12 x 3/4 HWH	239-52581-00	239-52581-00	239-52581-00	239-52581-00	239-52581-00	239-52581-00
83	Left Side Inner Door Complete	239-43968-18	239-43968-18	239-43968-14	239-43968-18	239-43968-16	239-43968-16
84	Nat. Gas Right Side Inner Door Complete	239-43963-07	239-43963-07	239-43963-02	239-43963-07	239-43963-05	239-43963-05
	LP Gas Right Side Inner Door Complete	239-43963-07	239-43963-07	239-43963-02	239-43963-07	239-43963-04	239-43963-04
85	Nat. Gas Resettable Thermal Switch	415-43676-02	415-43676-02	415-43676-03	415-43676-02	415-43676-03	415-43676-03
	LP Gas Resettable Thermal Switch	415-43676-02	415-43676-02	415-43676-03	415-43676-02	415-43676-02	415-43676-02
86	Screw-#6-20 x 3/8 PHCR	239-43967-00	239-43967-00	239-43967-00	239-43967-00	239-43967-00	239-43967-00
87	Outer Door	239-43962-00	239-43962-00	239-43962-00	239-43962-00	239-43962-00	239-43962-00

Natural Gas (BN) Burner Assembly

88	Nat Gas Burner Assembly Complete***	265-47439-07-32	265-47439-07-27	265-47439-02-36	265-47439-07-32	265-47439-04-32	265-47439-04-32
89	Nat. Gas (BN) Burner**	228-42506-00	228-42506-00	228-42506-00	228-42506-00	228-42506-00	228-42506-00
90	Nat. Gas (BN) Main Burner Orifice**	234-41034-32	234-41034-27	234-41034-36	234-41034-32	234-41034-32	234-41034-32
	Nat. Gas (BN) High Altitude 2001 Ft. to 5000 Ft.**	234-41034-36	234-41034-29	234-41034-39	234-41034-36	234-41034-36	234-41034-36
	Nat. Gas (BN) High Altitude 5001 Ft. to 8000 Ft.**	234-41034-38	234-41034-30	234-41034-41	234-41034-38	234-41034-36	234-41034-36
	Nat. Gas (BN) High Altitude Over 8000 Ft.**	234-41034-38	234-41034-31	234-41034-43	234-41034-38	234-41034-38	234-41034-38
91	Nat. Gas Pilot Assembly (WHITE RODGERS)**	233-46277-04	233-46277-04	233-46277-04	233-46277-04	233-46277-04	233-46277-04
	Nat. Gas Pilot Assembly (Resideo)**	415-47845-05	415-47845-05	415-47845-05	415-47845-05	415-47845-05	415-47845-05
92	Nat. Gas Pilot Orifice (WHITE RODGERS)**	234-46502-05	234-46502-05	234-46502-05	234-46502-05	234-46502-05	234-46502-05
93	Thermocouple (WHITE RODGERS)**	415-46501-15	415-46501-24	415-46501-15	415-46501-24	415-46501-15	415-46501-15

LP Gas (SX) Titanium Stabilized Stainless Steel Burner Assembly

(Replacement for LP Gas (CX) Cast Iron Burner)

94	LP Gas Burner Assembly Complete***	265-47440-11-50	265-47440-12-43	265-47440-02-60	265-47440-11-50	265-47440-05-52	265-47440-05-52
95	LP Gas (SX) Burner**	228-46964-00	228-47000-00	228-46964-00	228-46964-00	228-46964-00	228-46964-00
96	LP Gas (SX) Main Burner Orifice**	234-47064-50	234-47064-43	234-47064-60	234-47064-50	234-47064-52	234-47064-52
	LP Gas (SX) High Altitude 2001 Ft. to 5000 Ft.**	234-47064-51	234-47064-46	234-47064-54	234-47064-51	234-47064-53	234-47064-53
	LP Gas (SX) High Altitude 5001 Ft. to 8000 Ft.**	234-47064-52	234-47064-47	234-47064-54	234-47064-52	234-47064-54	234-47064-54
	LP Gas (SX) High Altitude Over 8000 Ft.**	234-47064-53	234-47064-47	234-47064-54	234-47064-53	234-47064-54	234-47064-54
97	LP Gas Pilot Assembly (WHITE RODGERS)**	233-46278-03	233-46278-03	233-46278-03	233-46278-03	233-46278-03	233-46278-03
	LP Gas Pilot Assembly (Resideo)**	415-47846-05	415-47846-05	415-47846-05	415-47846-05	415-47846-05	415-47846-05
98	LP Gas Pilot Orifice (WHITE RODGERS)**	234-46502-02	234-46502-02	234-46502-02	234-46502-02	234-46502-02	234-46502-02
99	Thermocouple (WHITE RODGERS)**	415-46501-15	415-46501-24	415-46501-15	415-46501-24	415-46501-15	415-46501-15
100	ASSE Approved Mixing Valve (Optional)	239-51778-00	239-51778-00	239-51778-00	239-51778-00	239-51778-00	239-51778-00
101	3/4 NPT Plug	239-11638-00	239-11638-00	---	---	---	---
102	Inner Door Gasket Kit	239-44078-00	239-44078-00	239-44078-00	239-44078-00	239-44078-00	239-44078-00
103	Wire Tie	239-44328-00	239-44328-00	239-44328-00	239-44328-00	239-44328-00	239-44328-00
104	Heat Trap Insert (Outlet)	415-45167-00	415-45167-00	415-45167-00	415-45167-00	415-45167-00	415-45167-00
105	Heat Trap Insert (Inlet)	415-51556-00	415-51556-00	415-51556-00	415-51556-00	415-51556-00	415-51556-00
106	Kit-Heat Trap Insert	265-51572-00	265-51572-00	265-51572-00	265-51572-00	265-51572-00	265-51572-00
-	LP to Natural Gas Conversion Kit (Norm Alt.)	265-53745-05	265-53745-12	265-53745-09	265-53745-11	265-53745-10	265-53745-10
-	LP to Natural Gas Conversion Kit (High Alt.)	265-53745-17	265-53745-24	265-53745-21	265-53745-23	265-53745-22	265-53745-22

* Applies to all warranties

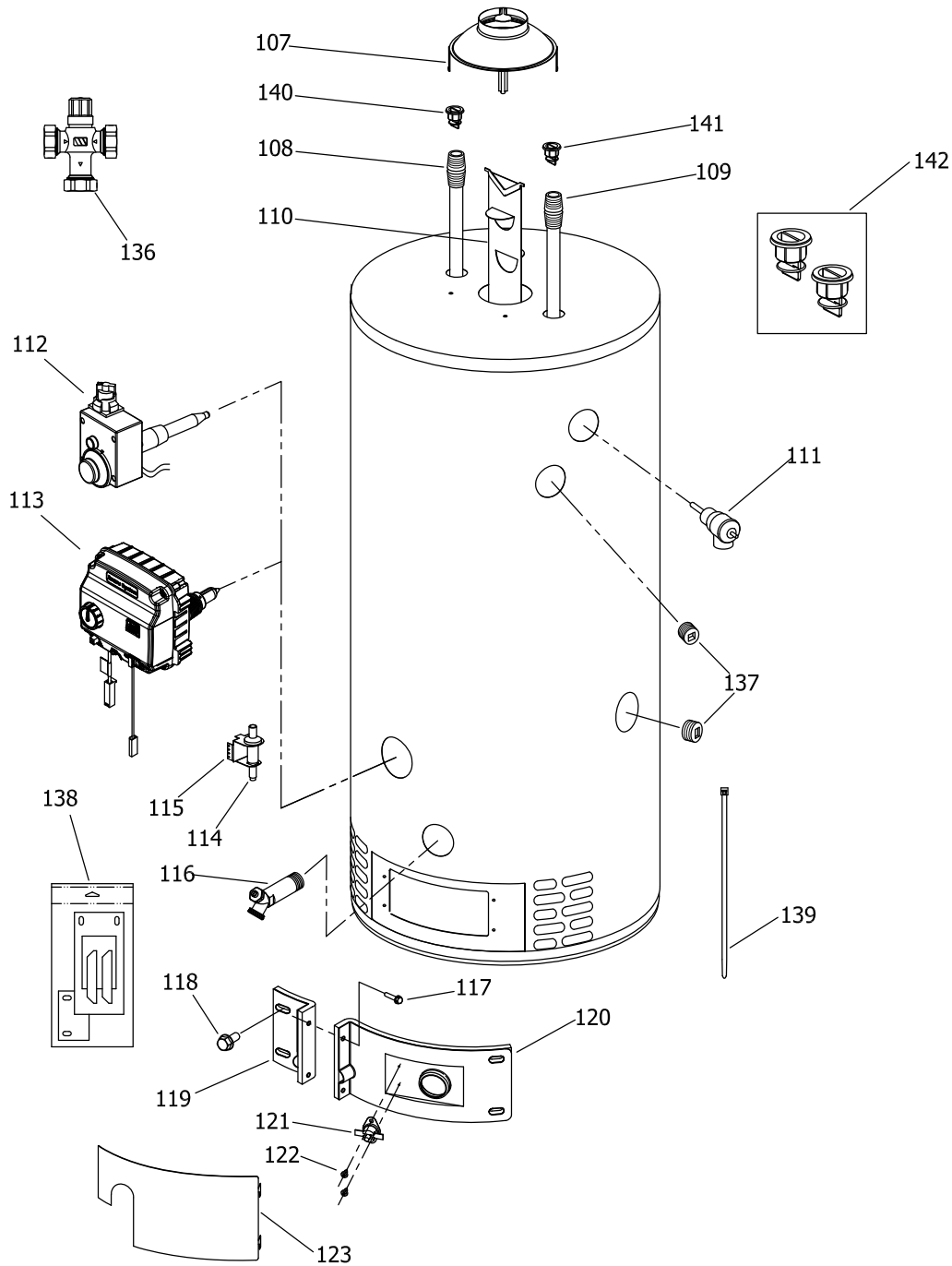
** Inner door gasket kit recommended

*** Ordering a complete burner assembly may increase delivery time. Please order the specific component required for the quickest delivery.

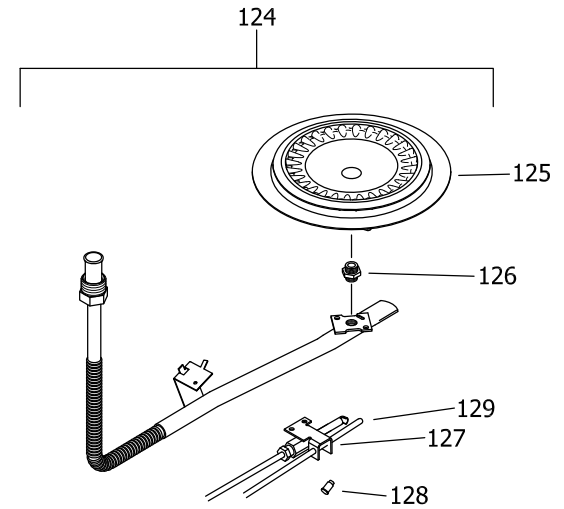
▲ Order with item 2

▲▲ Order with item 3

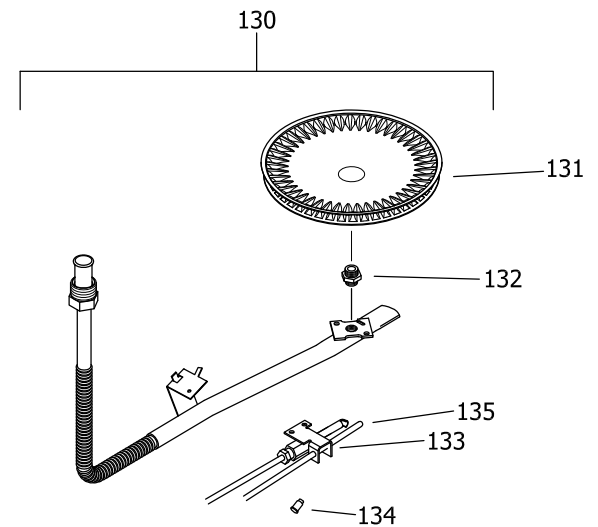
Anode may need to be cut to length, see end of this parts list for further information.



LP GAS (SX) BURNER ASSEMBLY TO REPLACE LP GAS (CX) BURNER ASSEMBLY
ON ALL MODELS EXCEPT 75 & 100 GAL. MODELS



NATURAL GAS (BN) BURNER ASSEMBLY



LP GAS (SX) BURNER ASSEMBLY

Item	Description	Model	Model	Model	Model	Model
		M4503*F(BN,CX,SX)	M460T*F(BN,CX,SX)	M2XR65T*F(BN,CX,SX)	50T65F(B,C,S)*(N,X)	65T65F(B,C,S)*(N,X)
107	Draft Hood	239-45787-00	239-45787-00	239-33081-02-20-15	239-33081-02-20-15	239-33081-02-20-15
108	Hot Water Outlet Anode Magnesium▲#	415-55482-00	415-55482-00	415-55482-00	415-55482-00	415-55482-00
	Hot Water Outlet Aluminum▲#	415-55484-00	415-55484-00	415-55484-00	415-55484-00	415-55484-00
	Hot Water Outlet A420 Aluminum▲#	415-55486-00	415-55486-00	415-55486-00	415-55486-00	415-55486-00
109	Cold Water Inlet (NC Code)▲▲	415-51230-18	415-51230-11	415-51230-19	415-51230-16	415-51230-04
110	Flue Baffle	243-44705-00	239-50065-03	243-46752-00	243-41037-00	243-46752-00
111	T&P Relief Valve	230-40594-02	230-40594-02	230-40594-02	230-40594-02	230-40594-02
112	Gas Control Direct Replacement Natural Gas (Resideo)	415-52907-02	415-52907-02	415-52907-02	415-52908-02	415-52908-02
	Gas Control Direct Replacement LP Gas (Resideo)	415-52909-02	415-52909-02	415-52909-02	415-52910-02	415-52910-02
	Gas Control Universal Replacement Natural Gas (Resideo)	415-53359-00	415-53359-00	415-53359-00	---	---
	Gas Control Universal Replacement LP Gas (Resideo)	415-53360-00	415-53360-00	415-53360-00	---	---
113	Gas Control Direct Replacement Natural Gas (WHITE RODGERS)	415-46181-02	415-46181-02	415-46181-04	415-46367-02	415-46367-02
	Gas Control Direct Replacement LP Gas (WHITE RODGERS)	415-46182-02	415-46182-02	415-46182-02	415-46368-03	415-46368-03
114	Piezo Igniter (WHITE RODGERS)	415-43448-00	415-43448-00	415-43448-00	415-43448-00	415-43448-00
115	Piezo Bracket (WHITE RODGERS)	239-46157-02	239-46157-02	239-46157-02	239-46157-02	239-46157-02
116	Brass Drain Valve	415-42351-02	415-42351-02	415-42351-02	415-42351-02	415-42351-02
117	Screw-#8-18 x 3/4 HWH	239-44195-00	239-44195-00	239-44195-00	239-44195-00	239-44195-00
118	Screw-#10-12 x 3/4 HWH	239-52581-00	239-52581-00	239-52581-00	239-52581-00	239-52581-00
119	Left Side Inner Door Complete	239-43968-18	239-43968-20	239-43968-20	239-43968-18	239-43968-20
120	Nat. Gas Right Side Inner Door Complete	239-43963-07	239-43963-12	239-43963-09	239-43963-07	239-43963-09
	LP Gas Right Side Inner Door Complete	239-43963-07	---	239-43963-12	239-43963-07	239-43963-12
121	Nat. Gas Resettable Thermal Switch	415-43676-02	415-43676-02	415-43676-01	415-43676-02	415-43676-01
	LP Gas Resettable Thermal Switch	415-43676-02	415-43676-03	415-43676-02	415-43676-02	415-43676-02
122	Screw-#6-20 x 3/8 PHCR	239-43967-00	239-43967-00	239-43967-00	239-43967-00	239-43967-00
123	Outer Door	239-43962-00	239-43962-00	239-43962-00	239-43962-00	239-43962-00

Natural Gas (BN) Burner Assembly						
124	Nat Gas Burner Assembly Complete***	265-47439-07-32	265-47439-10-32	265-47439-10-27	265-47439-07-27	265-47439-10-27
125	Nat. Gas (BN) Burner**	228-42506-00	228-42506-00	228-42506-00	228-42506-00	228-42506-00
126	Nat. Gas (BN) Main Burner Orifice**	234-41034-32	234-41034-32	234-41034-27	234-41034-27	234-41034-27
	Nat. Gas (BN) High Altitude 2001 Ft. to 5000 Ft.**	234-41034-36	234-41034-36	234-41034-29	234-41034-29	234-41034-29
	Nat. Gas (BN) High Altitude 5001 Ft. to 8000 Ft.**	234-41034-38	234-41034-38	234-41034-30	234-41034-30	234-41034-30
	Nat. Gas (BN) High Altitude Over 8000 Ft.**	234-41034-38	234-41034-38	234-41034-31	234-41034-31	234-41034-31
127	Nat. Gas Pilot Assembly (WHITE RODGERS)**	233-46277-04	233-46277-04	233-46277-04	233-46277-04	233-46277-04
	Nat. Gas Pilot Assembly (Resideo)**	415-47845-05	415-47845-05	415-47845-05	415-47845-05	415-47845-05
128	Nat. Gas Pilot Orifice (WHITE RODGERS)**	234-46502-05	234-46502-05	234-46502-05	234-46502-05	234-46502-05
129	Thermocouple (WHITE RODGERS)**	415-46501-24	415-46501-24	415-46501-24	415-46501-24	415-46501-24
LP Gas (SX) Titanium Stabilized Stainless Steel Burner Assembly (Replacement for LP Gas (CX) Cast Iron Burner)						
130	LP Gas Burner Assembly Complete***	265-47440-11-51	265-47440-17-50	265-47440-18-43	265-47440-12-43	265-47440-18-43
131	LP Gas (SX) Burner**	228-46964-00	228-46964-00	228-47000-00	228-47000-00	228-47000-00
132	LP Gas (SX) Main Burner Orifice**	234-47064-51	234-47064-50	234-47064-43	234-47064-43	234-47064-43
	LP Gas (SX) High Altitude 2001 Ft. to 5000 Ft.**	234-47064-53	234-47064-51	234-47064-46	234-47064-46	234-47064-46
	LP Gas (SX) High Altitude 5001 Ft. to 8000 Ft.**	234-47064-53	234-47064-52	234-47064-47	234-47064-47	234-47064-47
	LP Gas (SX) High Altitude Over 8000 Ft.**	234-47064-54	234-47064-54	234-47064-47	234-47064-47	234-47064-47
133	LP Gas Pilot Assembly (WHITE RODGERS)**	233-46278-03	233-46278-03	233-46278-03	233-46278-03	233-46278-03
	LP Gas Pilot Assembly (Resideo)**	415-47846-05	415-47846-05	415-47846-05	415-47846-05	415-47846-05
134	LP Gas Pilot Orifice (WHITE RODGERS)**	234-46502-02	234-46502-02	234-46502-02	234-46502-02	234-46502-02
135	Thermocouple (WHITE RODGERS)**	415-46501-24	415-46501-24	415-46501-24	415-46501-24	415-46501-24
136	ASSE Approved Mixing Valve (Optional)	239-51778-00	239-51778-00	239-51778-00	239-51778-00	239-51778-00
137	3/4 NPT Plug	---	---	239-11638-00	239-11638-00	239-11638-00
138	Inner Door Gasket Kit	239-44078-00	239-44078-00	239-44078-00	239-44078-00	239-44078-00
139	Wire Tie	239-44328-00	239-44328-00	239-44328-00	239-44328-00	239-44328-00
140	Heat Trap Insert (Outlet)	415-45167-00	415-45167-00	415-45167-00	415-45167-00	415-45167-00
141	Heat Trap Insert (Inlet)	415-51556-00	415-51556-00	415-51556-00	415-51556-00	415-51556-00
142	Kit-Heat Trap Insert	265-51572-00	265-51572-00	265-51572-00	265-51572-00	265-51572-00
-	LP to Natural Gas Conversion Kit (Norm Alt.)	265-53745-11	265-53745-29	265-53745-47	265-53745-25	265-53745-49
-	LP to Natural Gas Conversion Kit (High Alt.)	265-53745-23	265-53745-30	265-53745-48	265-53745-26	265-53745-50

* Applies to all warranties

** Inner door gasket kit recommended

*** Ordering a complete burner assembly may increase delivery time. Please order the specific component required for the quickest delivery.

▲ Order with item 2

▲▲ Order with item 3

Anode may need to be cut to length, see end of this parts list for further information.



United States

Sales 1-800-523-2931
Technical Support 1-800-334-3393
Email techsupport@bradfordwhite.com
Warranty 1-800-531-2111
Email warranty@bradfordwhite.com
Service Parts 1-800-538-2020
Email parts@bradfordwhite.com

Canada

Sales 1-866-690-0961 1-905-203-0600
Fax 905-636-0666
Warranty 1-800-531-2111
Email warranty@bradfordwhite.com
Technical Support 1-800-334-3393
Email techsupport@bradfordwhite.com
Service Parts and Orders ca.orders@bradfordwhite.com

For U.S. and Canada field service, contact your professional installer or local Bradford White sales representative.

International

General Contact international@bradfordwhite.com