



**RESIDENTIAL & LIGHT DUTY COMMERCIAL GAS
REPLACEMENT PARTS LIST**

The Bradford White

DEFENDER Safety System™

Through-The-Wall TTW1, TTW2

Energy Saver (M1TW,M2TW,M4TW,M4XRTW) Models



Models Covered:

M1TW(40,50)S*F((BN,CX,SX)

M1TW(50,60)T*F(BN,CX,SX)

M2TW65T*F(BN,CX,SX)

M4TW(40,50,60)T*F(BN,SX)

M4XRTW(50,65)T*F(BN,SX)

Includes Hydrojet® Total
Performance System

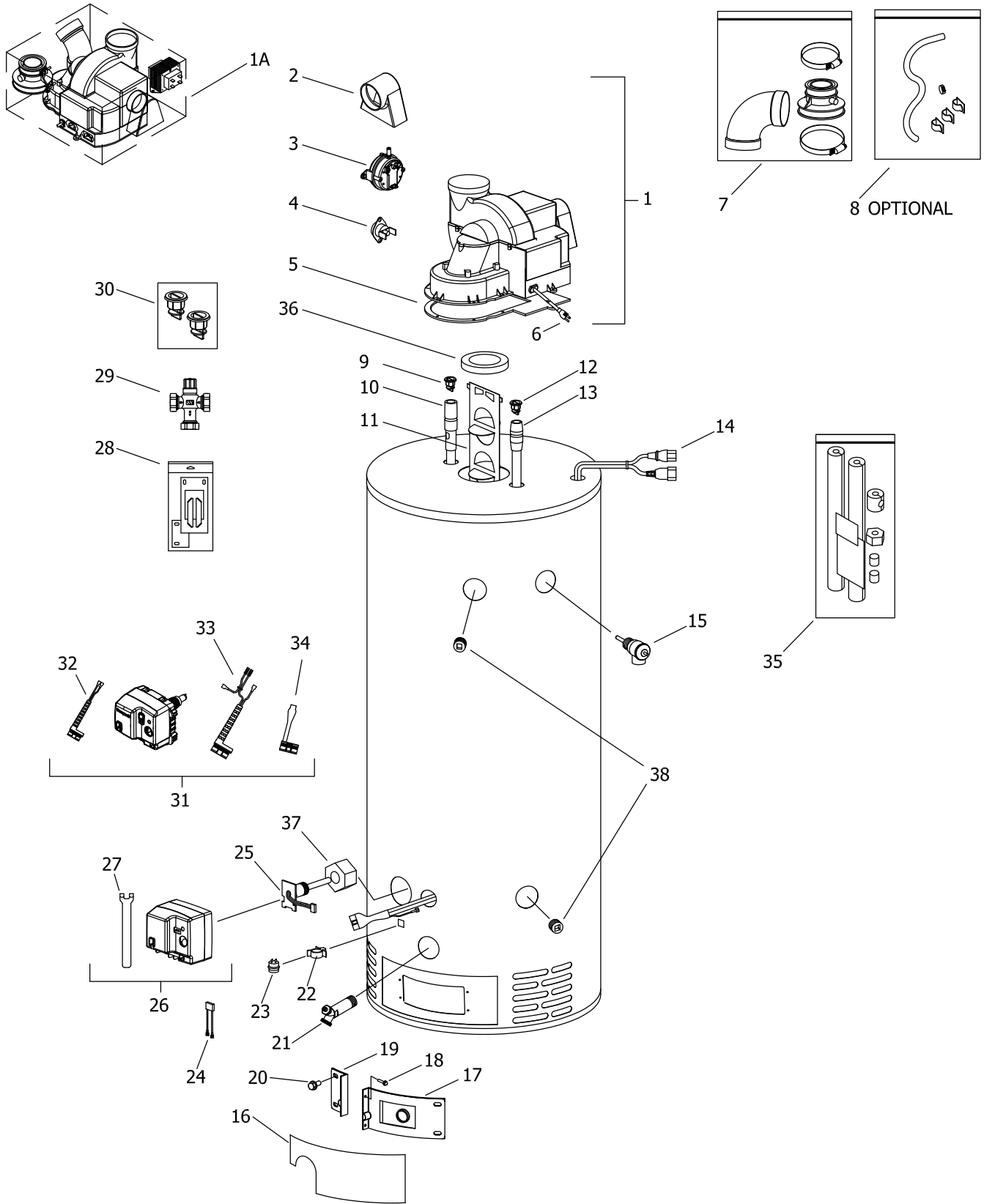
Effective: October, 2024
ECO 8780

**NOTE: BOTH MODEL AND SERIAL
NUMBERS ARE REQUIRED FOR
ORDERING REPLACEMENT PARTS**

Dimensions and specifications
subject to change without notice.



As required by the state of California Proposition 65.



LP GAS (SX) BURNER ASSEMBLY TO REPLACE LP GAS (CX) BURNER ASSEMBLY

Item Description	Model	Model	Model	Model
	M1TW40S*F(BN,CX,SX)	M1TW50S*F(BN,CX,SX)	M1TW60T*F(BN,CX,SX)	M2TW50T*F(BN,CX,SX)
1 Blower Complete	415-45584-00	415-45584-00	415-45584-00	415-45583-00
Blower Complete High Altitude	243-45987-00	243-45987-00	243-45987-00	243-45986-00
1A Universal SVC Blower Kit	415-47200-00	415-47200-00	415-47200-00	---
2 Air Mixing Inlet	239-45868-00	239-45868-00	239-45868-00	239-45868-00
3 Pressure Switch	415-45867-01	415-45867-01	415-45867-01	415-45867-02
Pressure Switch High Altitude	415-45867-03	415-45867-03	415-45867-03	415-45867-04
4 Blower Temperature Switch	415-45865-00	415-45865-00	415-45865-00	415-45865-00
5 Blower Gasket	239-45866-00	239-45866-00	239-45866-00	239-45866-00
6 Blower Power Cord	239-45990-00	239-45990-00	239-45990-00	239-45990-00
7 2" Exhaust Adaptor w/Vent Terminal	239-46263-00	239-46263-00	239-46263-00	---
3" Exhaust Adaptor w/Vent Terminal	---	---	---	239-46264-00
8 Condensate Hose Kit (Optional)	415-45875-00	415-45875-00	415-45875-00	415-45875-00
9 Heat Trap Insert (Outlet)	415-45167-00	415-45167-00	415-45167-00	415-45167-00
10 Hot Water Outlet Anode Magnesium▲#	415-55482-00	415-55482-00	415-55482-00	415-55482-00
Hot Water Outlet Aluminum▲# (Optional)	415-55484-00	415-55484-00	415-55484-00	415-55484-00
Hot Water Outlet A420 Aluminum▲# (Optional)	415-55486-00	415-55486-00	415-55486-00	415-55486-00
11 Flue Baffle	243-45372-00	243-45372-00	243-46233-00	239-45373-00
12 Heat Trap Insert (Inlet)	415-51556-00	415-51556-00	415-51556-00	415-45167-00
13 Cold Water Inlet (NC Code)▲▲	415-51230-17	415-51230-17	415-51230-11	415-45092-01
14 Safety Circuit Wire Harness	239-45617-03	239-45617-03	239-45617-02	239-45617-02
15 T&P Relief Valve	415-32920-01	415-32920-01	415-32920-01	415-40594-02
16 Outer Door	243-43962-00	243-43962-00	243-43962-00	243-43962-00
17 Right Side Inner Door Complete	239-45642-18	239-45642-20	239-45642-20	239-45642-18
18 Screw-#8-18 x 3/4 HWH	239-44195-00	239-44195-00	239-44195-00	239-44195-00
19 Left Side Inner Door Complete	239-43968-18	239-43968-20	239-43968-20	239-43968-18
20 Screw-#10-12 x 3/4 HWH	239-44113-00	239-44113-00	239-44113-00	239-44113-00
21 Brass Drain Valve	415-42351-01	415-42351-01	415-42351-01	415-42351-01
22 Flammable Vapor Sensor Clip	239-45648-00	239-45648-00	239-45648-00	239-45648-00
23 Flammable Vapor Sensor	239-45560-00	239-45560-00	239-45560-00	239-45560-00
24 Flammable Vapor Sensor Harness♦	239-45620-00	239-45620-00	239-45620-00	239-45620-00
25 Thermowell♦	233-45651-01	233-45651-01	233-45651-01	233-45651-02

*Applies to all warranties

**Inner door gasket kit recommended

***Ordering a complete burner assembly may increase delivery time.

Please order the specific component required for the quickest delivery.

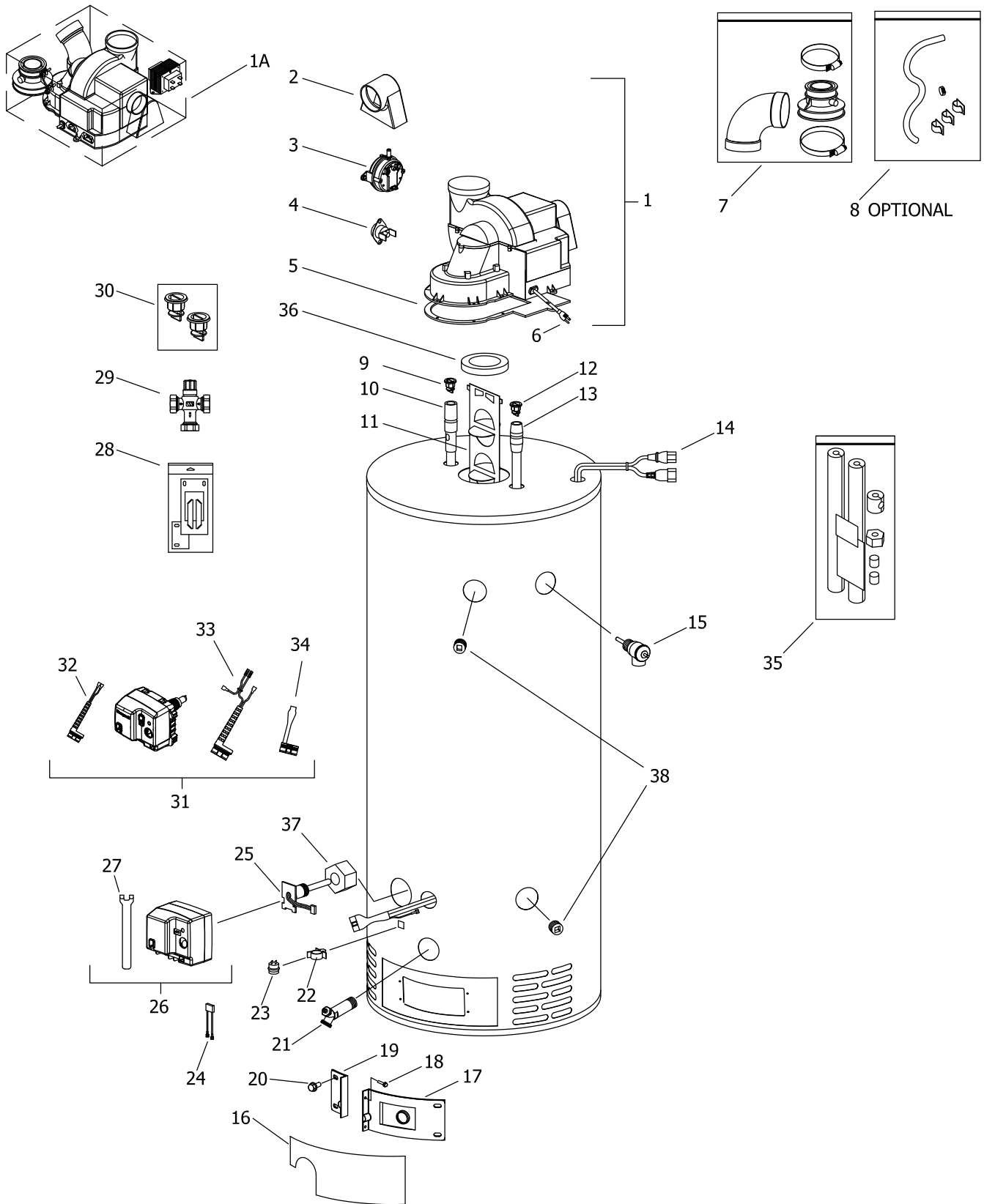
Anode may need to be cut to length

▲ Order with item 9

▲▲ Order with item 12

♦ For serial numbers beginning with "JM" or sooner

♦♦ For serial numbers beginning with "KA" or later



LP GAS (SX) BURNER ASSEMBLY TO REPLACE LP GAS (CX) BURNER ASSEMBLY

Item Description	Model	Model	Model	Model
	M1TW40S*F(BN,CX,SX)	M1TW50S*F(BN,CX,SX)	M1TW60T*F(BN,CX,SX)	M2TW50T*F(BN,CX,SX)
26 Gas Valve Natural Gas♦	415-45613-01	415-45613-01	415-45613-01	415-45613-01
Gas Valve LP Gas♦	415-45614-01	415-45614-01	415-45614-01	415-45614-01
27 Gas Valve Service Tool♦	239-45991-00	239-45991-00	239-45991-00	239-45991-00
28 Inner Door Gasket Kit	239-44078-00	239-44078-00	239-44078-00	239-44078-00
29 ASSE Approved Mixing Valve (Optional)	239-43740-01	239-43740-01	239-43740-01	239-43740-01
30 Kit-Heat Trap Insert	265-51572-00	265-51572-00	265-51572-00	265-51572-00
31 Gas Valve Natural Gas♦♦	415-48795-01	415-48795-01	415-48795-01	415-48795-02
Gas Valve LP Gas♦♦	415-48796-01	415-48796-01	415-48796-01	415-48796-02
32 Flammable Vapor Sensor Harness♦♦	239-49791-00	239-49791-00	239-49791-00	239-49791-00
33 FV Sensor and Thermal Switch Harness♦♦	239-50066-00	239-50066-00	239-50066-00	239-50066-00
34 Simulated Resistive Device Harness♦♦	N/A	N/A	N/A	N/A
35 Insulation Kit	---	---	---	---
36 Flue Reducer	---	---	---	243-42572-00
37 Thermowell insulation♦	---	---	---	---
38 3/4" NPT Pipe Plug	---	---	---	239-11638-00

*Applies to all warranties

**Inner door gasket kit recommended

***Ordering a complete burner assembly may increase delivery time.

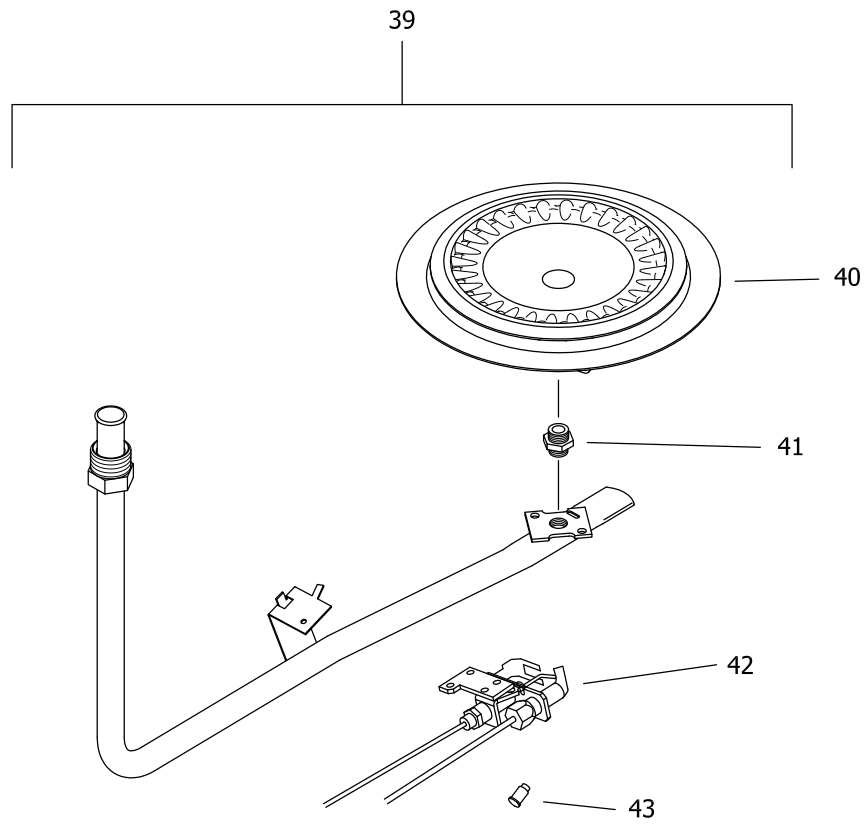
Please order the specific component required for the quickest delivery.

▲ Order with item 9

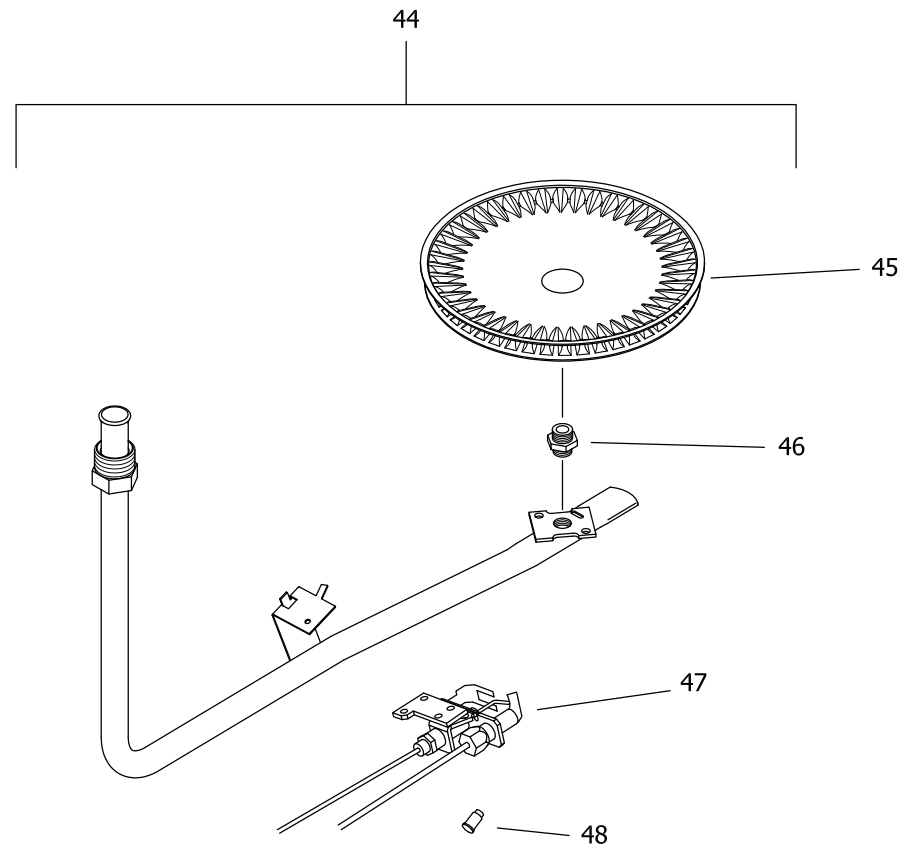
▲▲ Order with item 12

♦ For serial numbers beginning with "JM" or sooner

♦♦ For serial numbers beginning with "KA" or later



NATURAL GAS (BN) BURNER ASSEMBLY



LP GAS (SX) BURNER ASSEMBLY

LP GAS (SX) BURNER ASSEMBLY TO REPLACE LP GAS (CX) BURNER ASSEMBLY

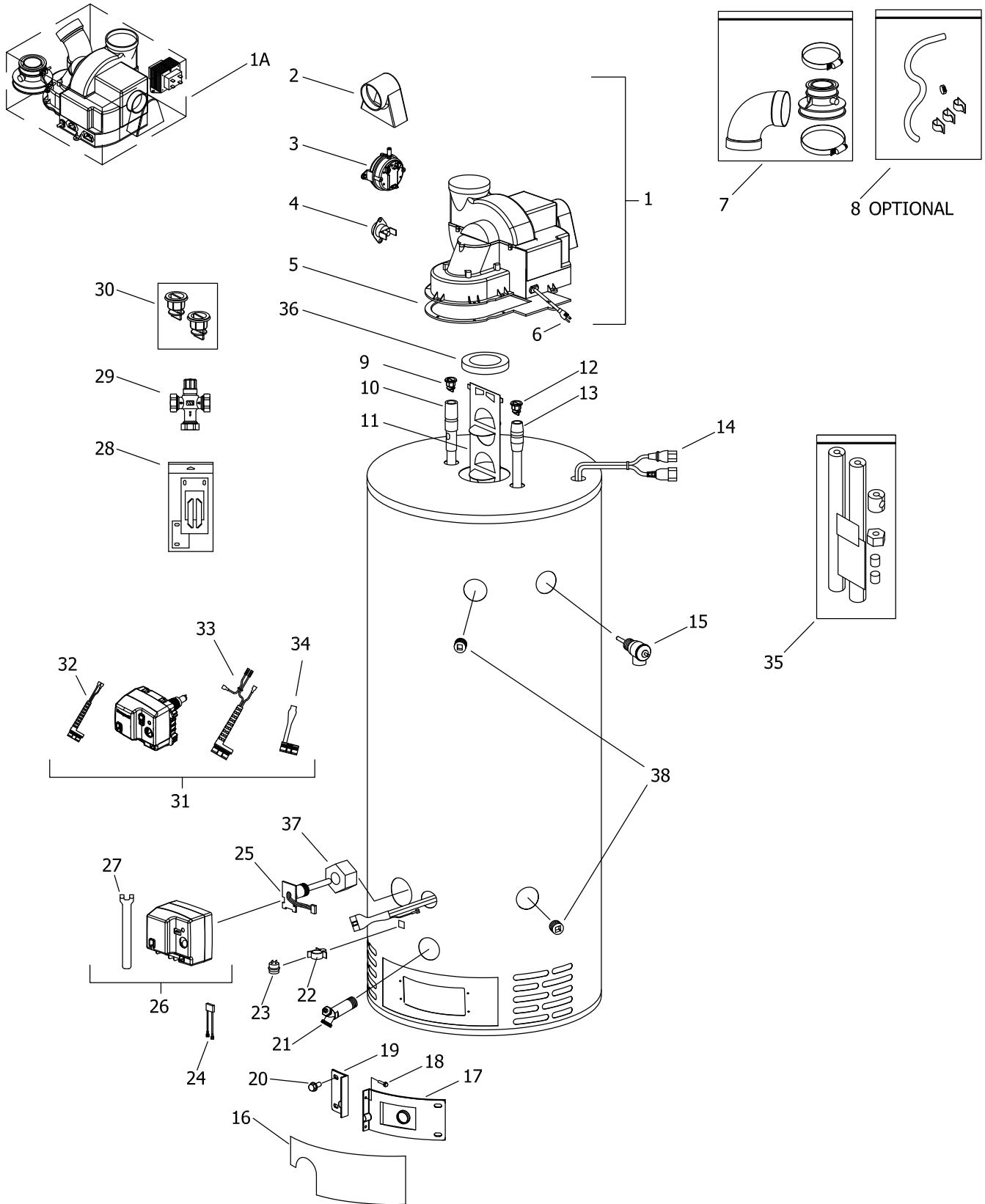
Item Description	Model	Model	Model	Model
	M1TW40S*F(BN,CX,SX)	M1TW50S*F(BN,CX,SX)	M1TW60T*F(BN,CX,SX)	M2TW50T*F(BN,CX,SX)
Natural Gas (BN) Burner Assembly				
39 Nat Gas Burner Assembly Complete***	265-47439-06-32	265-47439-09-32	265-47439-09-31	265-47439-06-26
40 Nat. Gas (BN) Burner**	228-42506-00	228-42506-00	228-42506-00	228-42506-00
41 Nat. Gas (BN) Main Burner Orifice**	234-41034-32	234-41034-32	234-41034-31	234-41034-26
Nat. Gas (BN) High Altitude 2001 Ft. to 5000 Ft.**	234-41034-33	234-41034-33	234-41034-33	234-41034-29
Nat. Gas (BN) High Altitude 5001 Ft. to 8000 Ft.**	234-41034-35	234-41034-35	234-41034-35	234-41034-30
Nat. Gas (BN) High Altitude Over 8000 Ft.**	234-41034-38	234-41034-38	234-41034-38	234-41034-31
42 Nat. Gas Pilot Assembly**	415-45653-05	415-45653-05	415-45653-05	415-45653-05
43 Nat. Gas Pilot Orifice**	234-45869-01	234-45869-01	234-45869-01	234-45869-01
LP Gas (SX) Titanium Stabilized Stainless Steel Burner Assembly		(Replacement for LP Gas (CX) Cast Iron Burner)		
44 LP Gas Burner Assembly Complete***	265-47440-09-50	265-47440-15-50	265-47440-15-49	265-47440-10-43
45 LP Gas (SX) Burner**	228-46964-00	228-46964-00	228-46964-00	228-47000-00
46 LP Gas (SX) Main Burner Orifice**	234-47064-50	234-47064-50	234-47064-49	234-47064-43
LP Gas (SX) High Altitude 2001 Ft. to 5000 Ft.**	234-47064-51	234-47064-51	234-47064-51	234-47064-44
LP Gas (SX) High Altitude 5001 Ft. to 8000 Ft.**	234-47064-52	234-47064-52	234-47064-52	234-47064-47
LP Gas (SX) High Altitude Over 8000 Ft.**	234-47064-53	234-47064-53	234-47064-53	234-47064-48
47 LP Gas Pilot Assembly**	415-45653-04	415-45653-04	415-45653-04	415-45653-04
48 LP Gas Pilot Orifice**	234-45869-02	234-45869-02	234-45869-02	233-45869-02
LP to Natural Gas Conversion Kit (Norm Alt.)	265-46493-02	265-46493-06	265-46493-09	265-46493-11
LP to Natural Gas Conversion Kit (High Alt.)	265-46493-04	265-46493-08	265-46493-08	265-46493-14

*Applies to all warranties

**Inner door gasket kit recommended

***Ordering a complete burner assembly may increase delivery time.

Please order the specific component required for the quickest delivery.



LP GAS (SX) BURNER ASSEMBLY TO REPLACE LP GAS (CX) BURNER ASSEMBLY

Item Description	Model	Model	Model	Model
	M2TW65T*F(BN,CX,SX)	M4TW40T*F(BN,SX)	M4TW50T*F(BN,SX)	M4TW60T*F(BN,SX)
1 Blower Complete	415-45583-00	239-48685-00	239-48685-00	239-48685-00
Blower Complete High Altitude	243-45986-00	239-48686-00	243-48686-00	243-48686-00
1A Universal SVC Blower Kit	---	---	---	---
2 Air Mixing Inlet	239-45868-00	239-45868-00	239-45868-00	239-45868-00
3 Pressure Switch	415-45867-02	415-47815-03	415-47815-03	415-47815-03
Pressure Switch High Altitude	415-45867-04	415-47815-04	415-47815-04	415-47815-04
4 Blower Temperature Switch	415-45865-00	415-45865-00	415-45865-00	415-45865-00
5 Blower Gasket	239-45866-00	239-45866-00	239-45866-00	239-45866-00
6 Blower Power Cord	239-45990-00	239-45990-00	239-45990-00	239-45990-00
7 2" Exhaust Adaptor w/Vent Terminal	---	239-46263-00	239-46263-00	239-46263-00
3" Exhaust Adaptor w/Vent Terminal	239-46264-00	---	---	---
8 Condensate Hose Kit (Optional)	415-45875-00	415-45875-00	415-45875-00	415-45875-00
9 Heat Trap Insert (Outlet)	415-45167-00	415-45167-00	415-45167-00	415-45167-00
10 Hot Water Outlet Anode Magnesium▲#	415-55482-00	415-55482-00	415-55482-00	415-55482-00
Hot Water Outlet Aluminum▲# (Optional)	415-55484-00	415-55484-00	415-55484-00	415-55484-00
Hot Water Outlet A420 Aluminum▲# (Optional)	415-55486-00	415-55486-00	415-55486-00	415-55486-00
11 Flue Baffle	239-45373-00	243-48689-00	243-48689-00	243-48689-00
12 Heat Trap Insert (Inlet)	415-45167-00	415-45167-00	415-45167-00	415-45167-00
13 Cold Water Inlet (NC Code)▲▲	229-45092-03	415-45092-06	415-45092-06	415-45092-06
14 Safety Circuit Wire Harness	239-45617-02	239-45617-02	239-45617-02	239-45617-02
15 T&P Relief Valve	415-40594-02	415-40594-02	415-40594-02	415-40594-02
16 Outer Door	243-43962-00	243-43962-00	243-43962-00	243-43962-00
17 Right Side Inner Door Complete	239-45642-20	239-43963-16	239-45642-18	239-45642-20
18 Screw-#8-18 x 3/4 HWH	239-44195-00	239-44195-00	239-44195-00	239-44195-00
19 Left Side Inner Door Complete	239-43968-18	239-43968-16	239-43968-18	239-43968-20
20 Screw-#10-12 x 3/4 HWH	239-44113-00	239-44113-00	239-44113-00	239-44113-00
21 Brass Drain Valve	415-42351-01	415-42351-02	415-42351-02	415-42351-02
22 Flammable Vapor Sensor Clip	239-45648-00	239-45648-00	239-45648-00	239-45648-00
23 Flammable Vapor Sensor	239-45560-00	239-45560-00	239-45560-00	239-45560-00
24 Flammable Vapor Sensor Harness♦	239-45620-00	239-45620-00	239-45620-00	239-45620-00
25 Thermowell♦	233-45651-02	233-45651-02	233-45651-02	233-45651-02

*Applies to all warranties

**Inner door gasket kit recommended

***Ordering a complete burner assembly may increase delivery time.

Please order the specific component required for the quickest delivery.

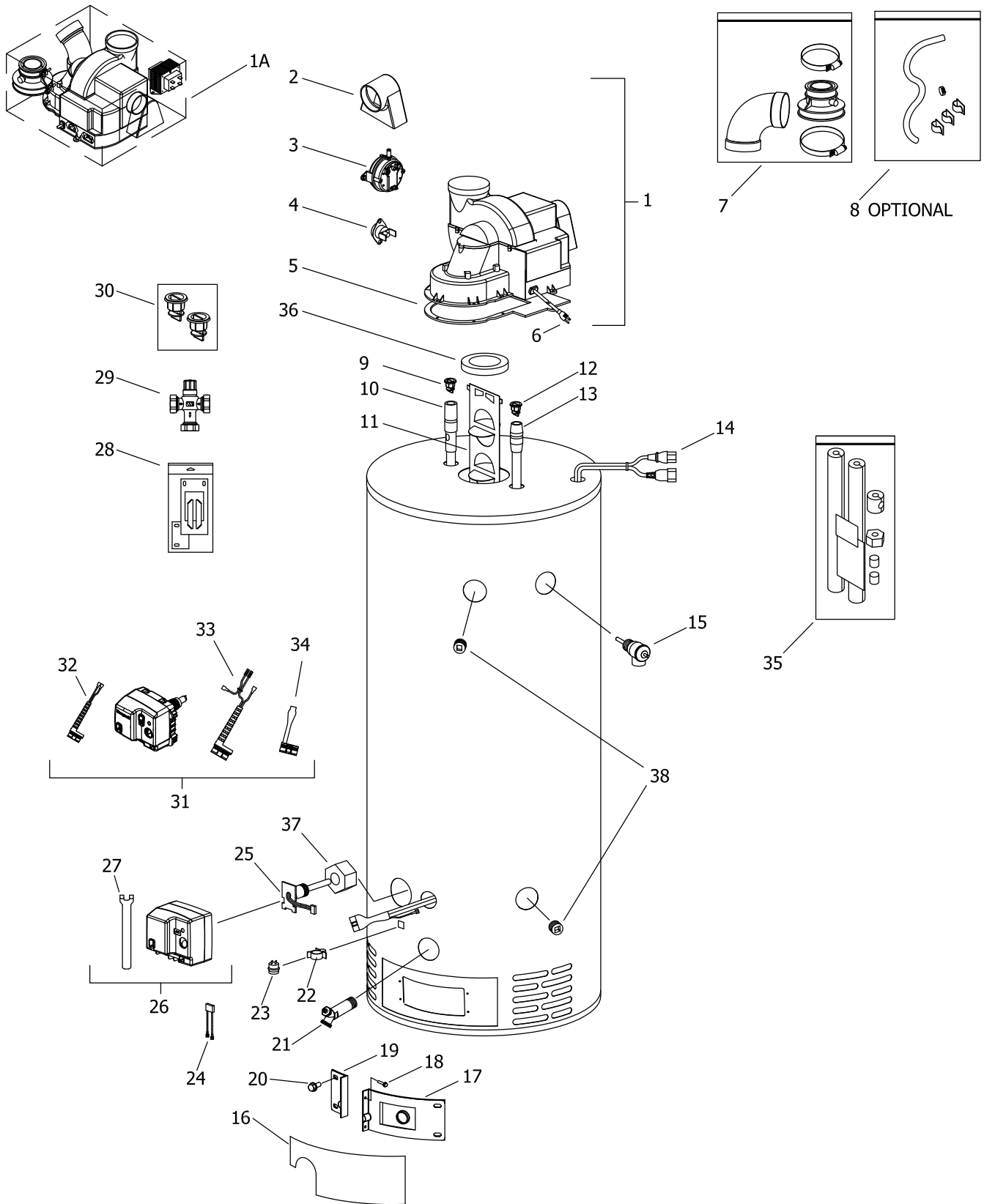
Anode may need to be cut to length

▲ Order with item 9

▲▲ Order with item 12

♦ For serial numbers beginning with "JM" or sooner

♦♦ For serial numbers beginning with "KA" or later



LP GAS (SX) BURNER ASSEMBLY TO REPLACE LP GAS (CX) BURNER ASSEMBLY

Item Description	Model	Model	Model	Model
	M2TW65T*F(BN,CX,SX)	M4TW40T*F(BN,SX)	M4TW50T*F(BN,SX)	M4TW60T*F(BN,SX)
26 Gas Valve Natural Gas♦	415-45613-01	415-45613-01	415-45613-01	415-45613-01
Gas Valve LP Gas♦	415-45614-01	415-45614-01	415-45614-01	415-45614-01
27 Gas Valve Service Tool♦	239-45991-00	239-45991-00	239-45991-00	239-45991-00
28 Inner Door Gasket Kit	239-44078-00	239-44078-00	239-44078-00	239-44078-00
29 ASSE Approved Mixing Valve (Optional)	239-43740-01	239-43740-01	239-43740-01	239-43740-01
30 Kit-Heat Trap Insert	265-51572-00	265-51572-00	265-51572-00	265-51572-00
31 Gas Valve Natural Gas♦♦	415-48795-02	415-48795-02	415-48795-02	415-48795-02
Gas Valve LP Gas♦♦	415-48796-02	415-48796-02	415-48796-02	415-48796-02
32 Flammable Vapor Sensor Harness♦♦	239-49791-00	239-49791-00	239-49791-00	239-49791-00
33 FV Sensor and Thermal Switch Harness♦♦	239-50066-00	239-50066-00	239-50066-00	239-50066-00
34 Simulated Resistive Device Harness♦♦	N/A	N/A	N/A	N/A
35 Insulation Kit	---	---	---	---
36 Flue Reducer	243-42572-00	---	---	---
37 Thermowell insulation♦	---	---	---	---
38 3/4" NPT Pipe Plug	239-11638-00	---	---	---

*Applies to all warranties

**Inner door gasket kit recommended

***Ordering a complete burner assembly may increase delivery time.

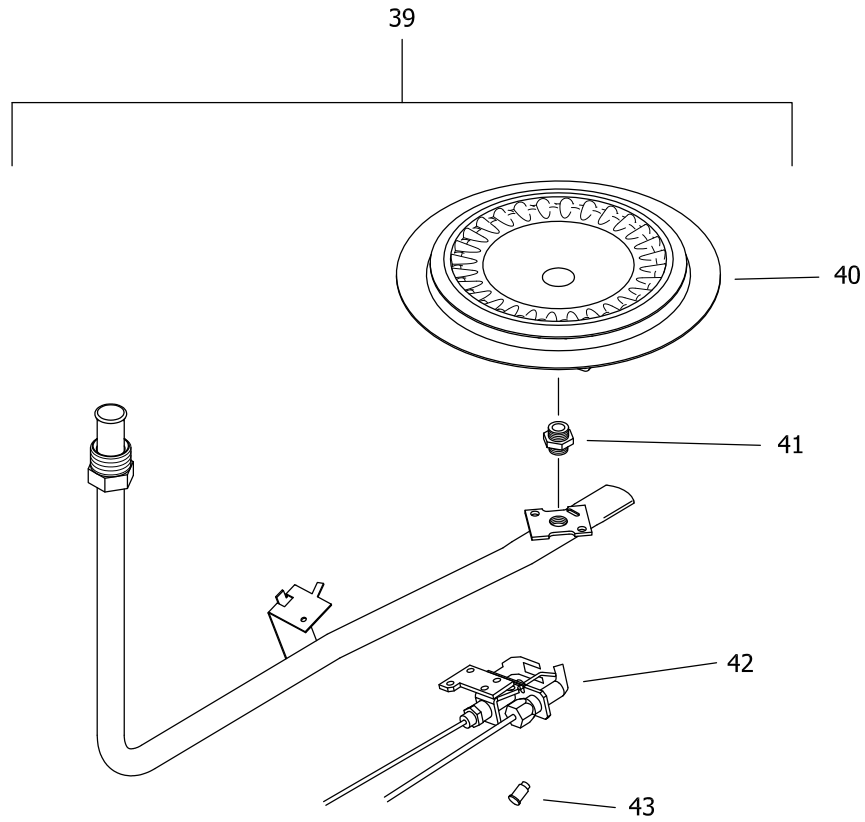
Please order the specific component required for the quickest delivery.

▲ Order with item 9

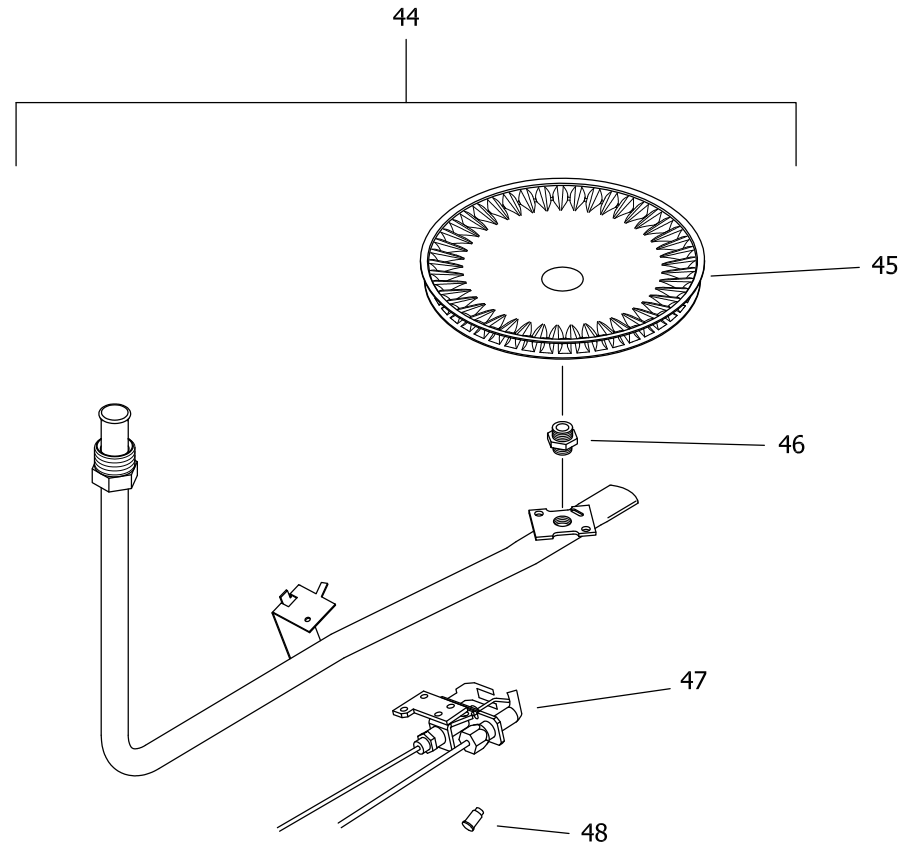
▲▲ Order with item 12

♦ For serial numbers beginning with "JM" or sooner

♦♦ For serial numbers beginning with "KA" or later



NATURAL GAS (BN) BURNER ASSEMBLY



LP GAS (SX) BURNER ASSEMBLY

LP GAS (SX) BURNER ASSEMBLY TO REPLACE LP GAS (CX) BURNER ASSEMBLY

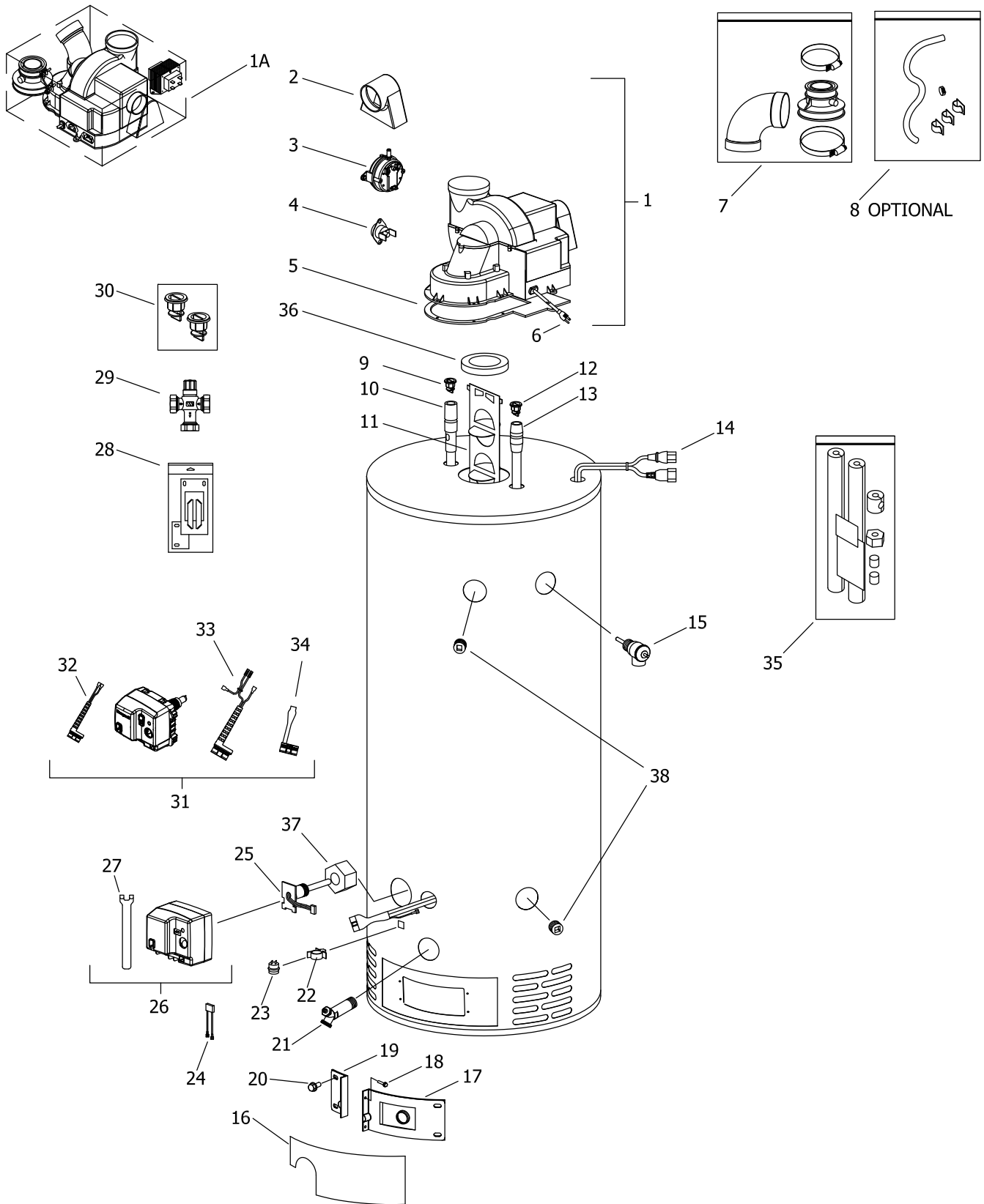
Item Description	Model	Model	Model	Model
	M2TW65T*F(BN,CX,SX)	M4TW40T*F(BN,SX)	M4TW50T*F(BN,SX)	M4TW60T*F(BN,SX)
Natural Gas (BN) Burner Assembly				
39 Nat Gas Burner Assembly Complete***	265-47439-09-26	265-47439-06-32	265-47439-09-32	265-47439-09-32
40 Nat. Gas (BN) Burner**	228-42506-00	228-42506-00	228-42506-00	228-42506-00
41 Nat. Gas (BN) Main Burner Orifice**	234-41034-26	234-41034-32	234-41034-32	234-41034-32
Nat. Gas (BN) High Altitude 2001 Ft. to 5000 Ft.**	234-41034-29	234-41034-33	234-41034-33	234-41034-33
Nat. Gas (BN) High Altitude 5001 Ft. to 8000 Ft.**	234-41034-30	234-41034-35	234-41034-35	234-41034-35
Nat. Gas (BN) High Altitude Over 8000 Ft.**	234-41034-31	234-41034-38	234-41034-38	234-41034-38
42 Nat. Gas Pilot Assembly**	415-45653-05	415-45653-05	415-45653-05	415-45653-05
43 Nat. Gas Pilot Orifice**	234-45869-01	234-45869-01	234-45869-01	234-45869-01
LP Gas (SX) Titanium Stabilized Stainless Steel Burner Assembly		(Replacement for LP Gas (CX) Cast Iron Burner)		
44 LP Gas Burner Assembly Complete***	265-47440-16-43	265-47440-09-50	265-47440-15-50	265-47440-15-50
45 LP Gas (SX) Burner**	228-47000-00	228-46964-00	228-46964-00	228-46964-00
46 LP Gas (SX) Main Burner Orifice**	234-47064-43	234-47064-50	234-47064-50	234-47064-50
LP Gas (SX) High Altitude 2001 Ft. to 5000 Ft.**	234-47064-44	234-47064-51	234-47064-51	234-47064-51
LP Gas (SX) High Altitude 5001 Ft. to 8000 Ft.**	234-47064-47	234-47064-52	234-47064-52	234-47064-52
LP Gas (SX) High Altitude Over 8000 Ft.**	234-47064-48	234-47064-53	234-47064-53	234-47064-53
47 LP Gas Pilot Assembly**	415-45653-04	415-45653-04	415-45653-04	415-45653-04
48 LP Gas Pilot Orifice**	233-45869-02	234-45869-02	234-45869-02	234-45869-02
LP to Natural Gas Conversion Kit (Norm Alt.)	265-46493-17	265-46493-02	265-46493-06	265-46493-09
LP to Natural Gas Conversion Kit (High Alt.)	265-46493-16	265-46493-04	265-46493-08	265-46493-08

*Applies to all warranties

**Inner door gasket kit recommended

***Ordering a complete burner assembly may increase delivery time.

Please order the specific component required for the quickest delivery.



LP GAS (SX) BURNER ASSEMBLY TO REPLACE LP GAS (CX) BURNER ASSEMBLY

Item Description	Model	
	M4XRTW50T*F(BN,SX)	M4XRTW65T*F(BN,SX)
1 Blower Complete	265-48861-00	265-48861-00
Blower Complete High Altitude	265-49227-00	265-49227-00
1A Universal SVC Blower Kit	---	---
2 Air Mixing Inlet	239-45868-00	239-45868-00
3 Pressure Switch	415-47815-01	415-47815-01
Pressure Switch High Altitude	415-45867-02	415-45867-02
4 Blower Temperature Switch	415-45865-00	415-45865-00
5 Blower Gasket	239-45866-00	239-45866-00
6 Blower Power Cord	239-45990-00	239-45990-00
7 2" Exhaust Adaptor w/Vent Terminal	---	---
3" Exhaust Adaptor w/Vent Terminal	239-46264-00	239-46264-00
8 Condensate Hose Kit (Optional)	239-45875-00	239-45875-00
9 Heat Trap Insert (Outlet)	239-45167-00	239-45167-00
10 Hot Water Outlet Anode Magnesium▲#	415-55482-00	415-55482-00
Hot Water Outlet Aluminum▲# (Optional)	415-55484-00	415-55484-00
Hot Water Outlet A420 Aluminum▲# (Optional)	415-55486-00	415-55486-00
11 Flue Baffle	239-45373-00	239-45373-00
12 Heat Trap Insert (Inlet)	239-51556-00	239-51556-00
13 Cold Water Inlet (NC Code)▲▲	229-51230-15	229-51230-06
14 Safety Circuit Wire Harness	239-45617-02	239-45617-02
15 T&P Relief Valve	415-40594-03	415-40594-03
16 Outer Door	243-43962-00	243-43962-00
17 Right Side Inner Door Complete	239-45642-18	239-45642-20
18 Screw-#8-18 x 3/4 HWH	239-44195-00	239-44195-00
19 Left Side Inner Door Complete	239-43968-18	239-43968-20
20 Screw-#10-12 x 3/4 HWH	239-44113-00	239-44113-00
21 Brass Drain Valve	265-42351-03	265-42351-03
22 Flammable Vapor Sensor Clip	239-45648-00	239-45648-00
23 Flammable Vapor Sensor	239-45560-00	239-45560-00
24 Flammable Vapor Sensor Harness♦	239-45620-00	239-45620-00
25 Thermowell♦	233-45651-02	233-45651-02

*Applies to all warranties

**Inner door gasket kit recommended

***Ordering a complete burner assembly may increase delivery time.

Please order the specific component required for the quickest delivery.

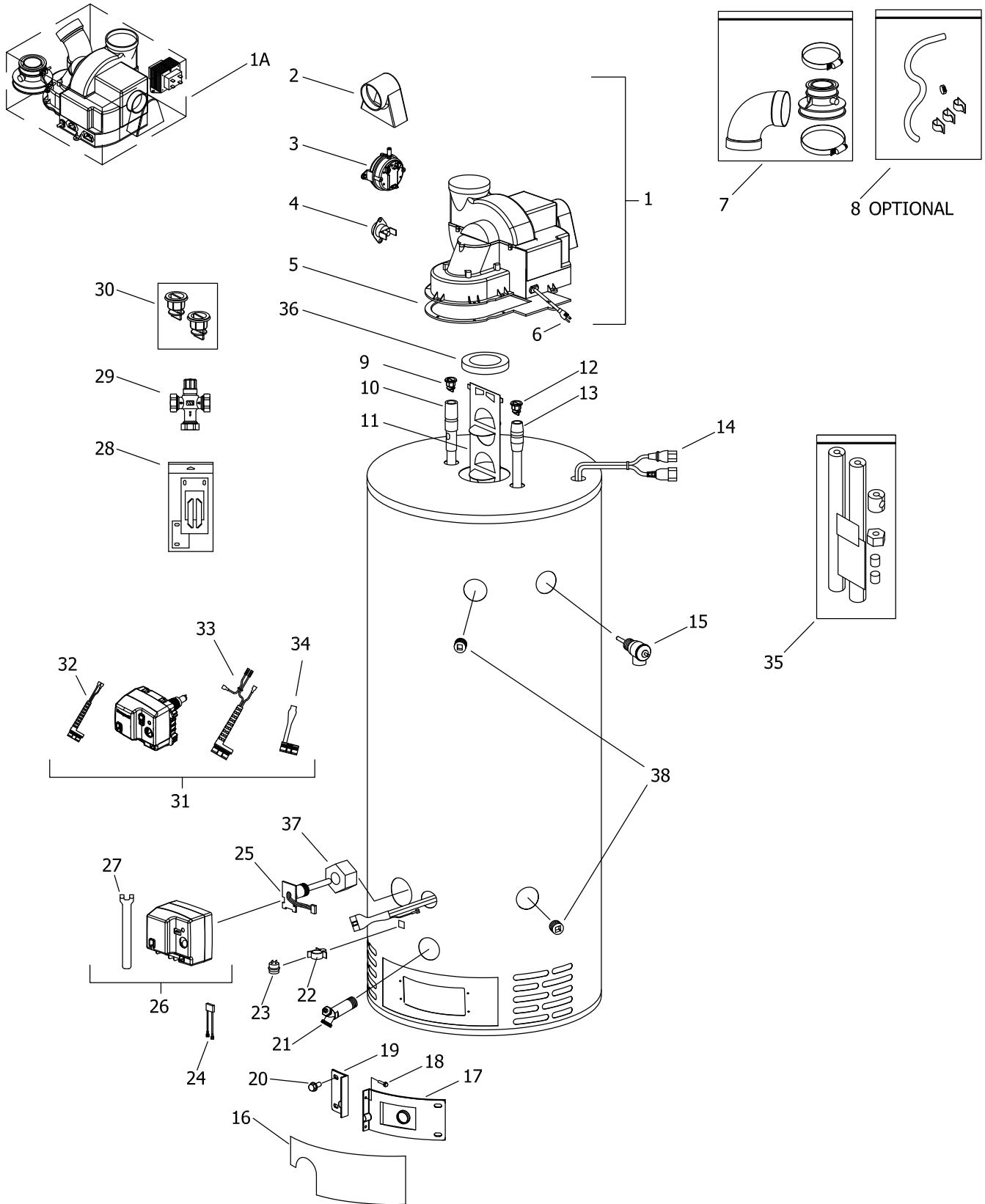
Anode may need to be cut to length

▲ Order with item 9

▲▲ Order with item 12

♦ For serial numbers beginning with "JM" or sooner

♦♦ For serial numbers beginning with "KA" or later



LP GAS (SX) BURNER ASSEMBLY TO REPLACE LP GAS (CX) BURNER ASSEMBLY

Item Description	Model	Model
	M4XRTW50T*F(BN,SX)	M4XRTW65T*F(BN,SX)
26 Gas Valve Natural Gas♦	415-45613-01	415-45613-01
Gas Valve LP Gas♦	415-45614-01	415-45614-01
27 Gas Valve Service Tool♦	239-45991-00	239-45991-00
28 Inner Door Gasket Kit	239-44078-00	239-44078-00
29 ASSE Approved Mixing Valve (Optional)	239-43740-01	239-43740-01
30 Kit-Heat Trap Insert	265-51572-00	265-51572-00
31 Gas Valve Natural Gas♦♦	415-48795-02	415-48795-02
Gas Valve LP Gas♦♦	415-48796-02	415-48796-02
32 Flammable Vapor Sensor Harness♦♦	239-49791-00	239-49791-00
33 FV Sensor and Thermal Switch Harness♦♦	239-50066-00	239-50066-00
34 Simulated Resistive Device Harness♦♦	N/A	N/A
35 Insulation Kit	239-48949-00	239-48949-00
36 Flue Reducer	239-48802-00	239-48802-00
37 Thermowell insulation♦	226-38194-04	226-38194-04
38 3/4" NPT Pipe Plug	239-11638-00	239-11638-00

*Applies to all warranties

**Inner door gasket kit recommended

***Ordering a complete burner assembly may increase delivery time.

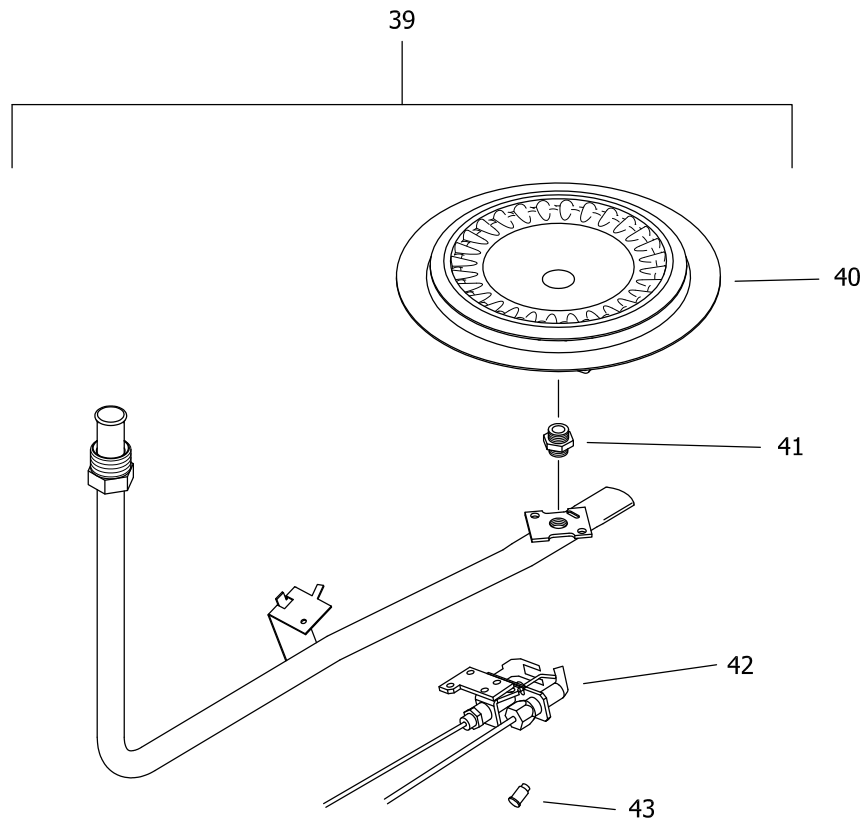
Please order the specific component required for the quickest delivery.

▲ Order with item 9

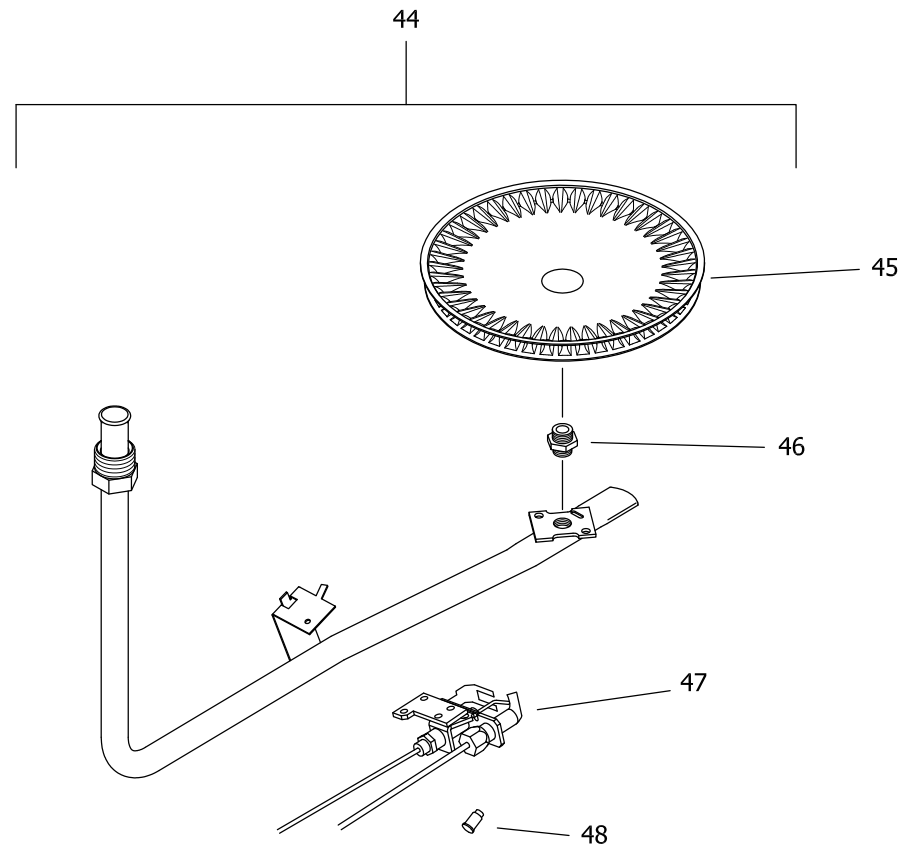
▲▲ Order with item 12

♦ For serial numbers beginning with "JM" or sooner

♦♦ For serial numbers beginning with "KA" or later



NATURAL GAS (BN) BURNER ASSEMBLY



LP GAS (SX) BURNER ASSEMBLY

LP GAS (SX) BURNER ASSEMBLY TO REPLACE LP GAS (CX) BURNER ASSEMBLY

Item Description	Model	Model
	M4XRTW50T*F(BN,SX)	M4XRTW65T*F(BN,SX)
Natural Gas (BN) Burner Assembly		
39 Nat Gas Burner Assembly Complete***	265-47439-06-27	265-47439-09-26
40 Nat. Gas (BN) Burner**	228-42506-00	228-42506-00
41 Nat. Gas (BN) Main Burner Orifice**	234-41034-27	234-41034-26
Nat. Gas (BN) High Altitude 2001 Ft. to 5000 Ft.**	234-41034-29	234-41034-29
Nat. Gas (BN) High Altitude 5001 Ft. to 8000 Ft.**	234-41034-30	234-41034-30
Nat. Gas (BN) High Altitude Over 8000 Ft.**	234-41034-31	234-41034-31
42 Nat. Gas Pilot Assembly**	415-45653-05	415-45653-05
43 Nat. Gas Pilot Orifice**	234-45869-01	234-45869-01
LP Gas (SX) Titanium Stabilized Stainless Steel Burner Assembly		
44 LP Gas Burner Assembly Complete***	265-47440-10-44	265-47440-16-43
45 LP Gas (SX) Burner**	228-47000-00	228-49694-00
46 LP Gas (SX) Main Burner Orifice**	234-47064-44	228-49694-43
LP Gas (SX) High Altitude 2001 Ft. to 5000 Ft.**	234-47064-47	228-49694-47
LP Gas (SX) High Altitude 5001 Ft. to 8000 Ft.**	234-47064-48	228-49694-47
LP Gas (SX) High Altitude Over 8000 Ft.**	234-47064-49	228-49694-48
47 LP Gas Pilot Assembly**	415-45653-04	415-45653-04
48 LP Gas Pilot Orifice**	234-45869-02	234-45869-02
LP to Natural Gas Conversion Kit (Norm Alt.)	265-46493-75	265-46493-76
LP to Natural Gas Conversion Kit (High Alt.)	265-46493-77	265-46493-78

*Applies to all warranties

**Inner door gasket kit recommended

***Ordering a complete burner assembly may increase delivery time.

Please order the specific component required for the quickest delivery.



United States

Sales 1-800-523-2931
Technical Support 1-800-334-3393
Email techsupport@bradfordwhite.com
Warranty 1-800-531-2111
Email warranty@bradfordwhite.com
Service Parts 1-800-538-2020
Email parts@bradfordwhite.com

Canada

Sales 1-866-690-0961 1-905-203-0600
Fax 905-636-0666
Warranty 1-800-531-2111
Email warranty@bradfordwhite.com
Technical Support 1-800-334-3393
Email techsupport@bradfordwhite.com
Service Parts and Orders ca.orders@bradfordwhite.com

For U.S. and Canada field service, contact your professional installer or local Bradford White sales representative.

International

General Contact international@bradfordwhite.com