



BRADFORD WHITE[®]
W A T E R H E A T E R S

RESIDENTIAL & LIGHT DUTY COMMERCIAL GAS



Models Covered:
M1TW(40,50)S
M2TW(50,65)T
M2TW75T
TW4(40,65,75)S(76)
GX2TW25S
GX1TW55S
TW25X76(B,S)
TW55X78(B,S)

Includes Hydrojet[®]
Total Performance System

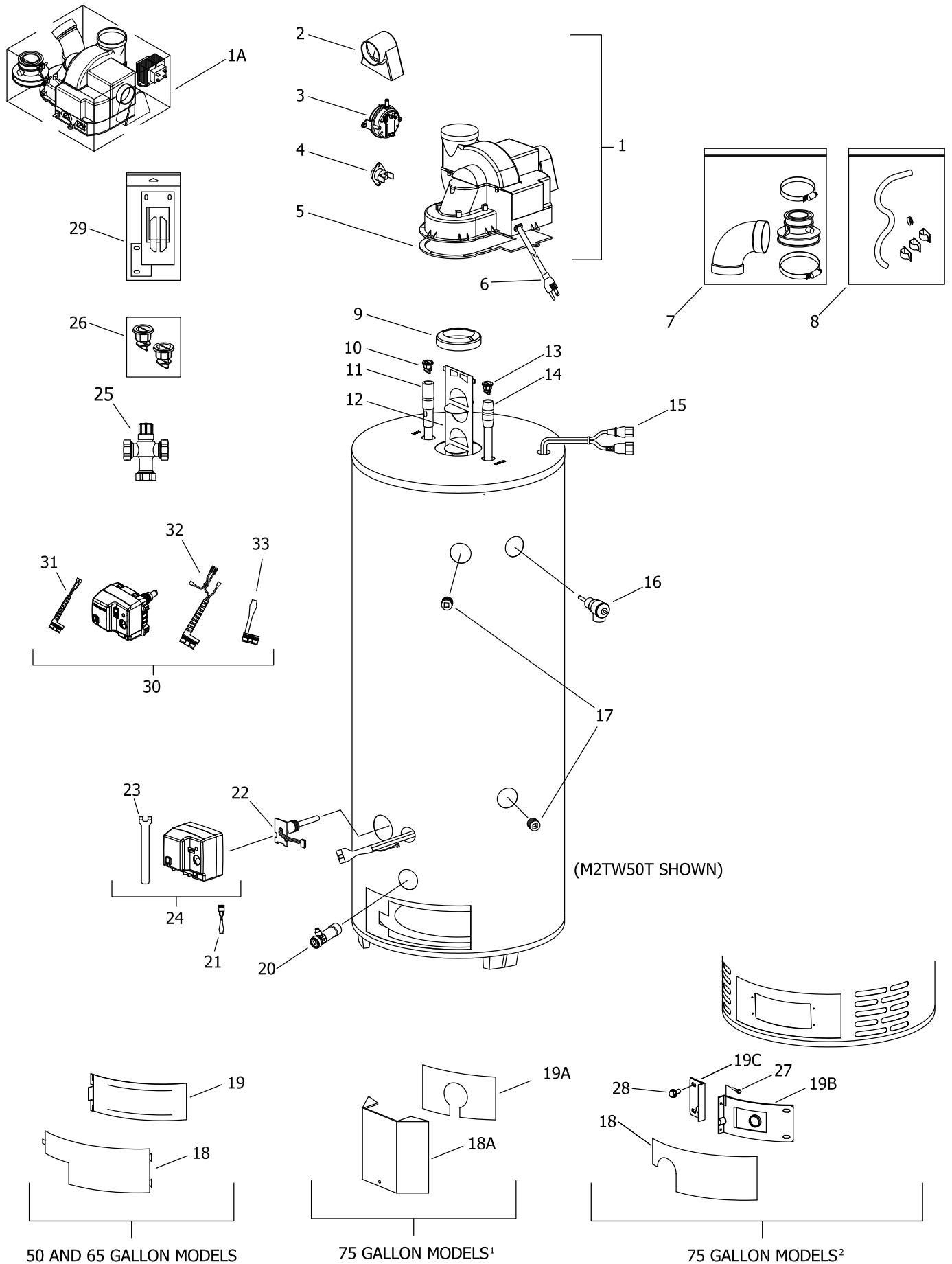
Effective: October, 2024
ECO 8780

**NOTE: BOTH MODEL AND SERIAL
NUMBERS ARE REQUIRED FOR
ORDERING REPLACEMENT PARTS**

Dimensions and specifications
subject to change without notice.

WARNING
CANCER AND REPRODUCTIVE HARM
WWW.P65WARNINGS.CA.GOV

As required by the state of California Proposition 65.



Item	Description	Model	Model	Model	Model
		M1TW40S*(BN,CX)	M1TW50S*(BN,CX)	M2TW50T*(BN,CX)	M2TW65T*(BN,CX)
1	Blower Complete (0ft to 2000ft)	415-45584-00	415-45584-00	415-45583-00	415-45583-00
	Blower Complete High Altitude (Over 2000ft)	239-45987-00	239-45987-00	239-45986-00	239-45986-00
1A	Universal SVC Blower Kit	415-47200-00	415-47200-00	---	---
2	Air Mixing Inlet	239-45868-00	239-45868-00	239-45868-00	239-45868-00
3	Pressure Switch (0ft to 2000ft)	415-45867-01	415-45867-01	415-45867-02	415-45867-02
	Pressure Switch (Over 2000ft)	415-45867-03	415-45867-03	415-45867-04	415-45867-04
4	Blower Temperature Switch	415-48752-00	415-48752-00	415-48752-00	415-48752-00
5	Blower Gasket	239-45866-00	239-45866-00	239-45866-00	239-45866-00
6	Blower Power Cord	239-45990-00	239-45990-00	239-45990-00	239-45990-00
7	2" Exhaust Adaptor w/Vent Terminal	239-46263-00	239-46263-00	---	---
	3" Vent Adaptor w/Vent Terminal	---	---	239-46264-00	239-46264-00
8	Condensate Hose Kit (Optional)	415-45875-00	415-45875-00	415-45875-00	415-45875-00
9	Flue Reducer	---	---	243-42572-00	243-42572-00
10	Heat Trap Outlet	415-45167-00	415-45167-00	415-45167-00	415-45167-00
11	Hot Water Outlet Anode (Magnesium) ▲#	415-55482-00	415-55482-00	415-55482-00	415-55482-00
	Hot Water Outlet Anode (Aluminum) ▲#	415-55484-00	415-55484-00	415-55484-00	415-55484-00
	Hot Water Outlet Anode (A420 Aluminum) ▲#	415-55486-00	415-55486-00	415-55486-00	415-55486-00
12	Flue Baffle	243-45372-00	243-45372-00	239-45373-00	239-45373-00
13	Heat Trap Inlet	415-51556-00	415-51556-00	415-45167-00	415-45167-00
14	Cold Water Inlet Dip Tube (NC Code)▲▲	415-51230-17	415-51230-17	415-45092-01	229-45092-03
15	Blower Harness	239-45617-01	239-45617-01	239-45617-02	239-45617-02
16	T&P Relief Valve	415-32920-01	415-32920-01	415-40594-02	415-40594-02
17	3/4 NPT Pipe Plug	---	---	239-11638-00	239-11638-00

*Applies to all warranties

**Ordering a complete burner assembly may increase delivery time.

Please order the specific component required for the quickest delivery.

Anode may need to be cut to length

▲ Order with item 10.

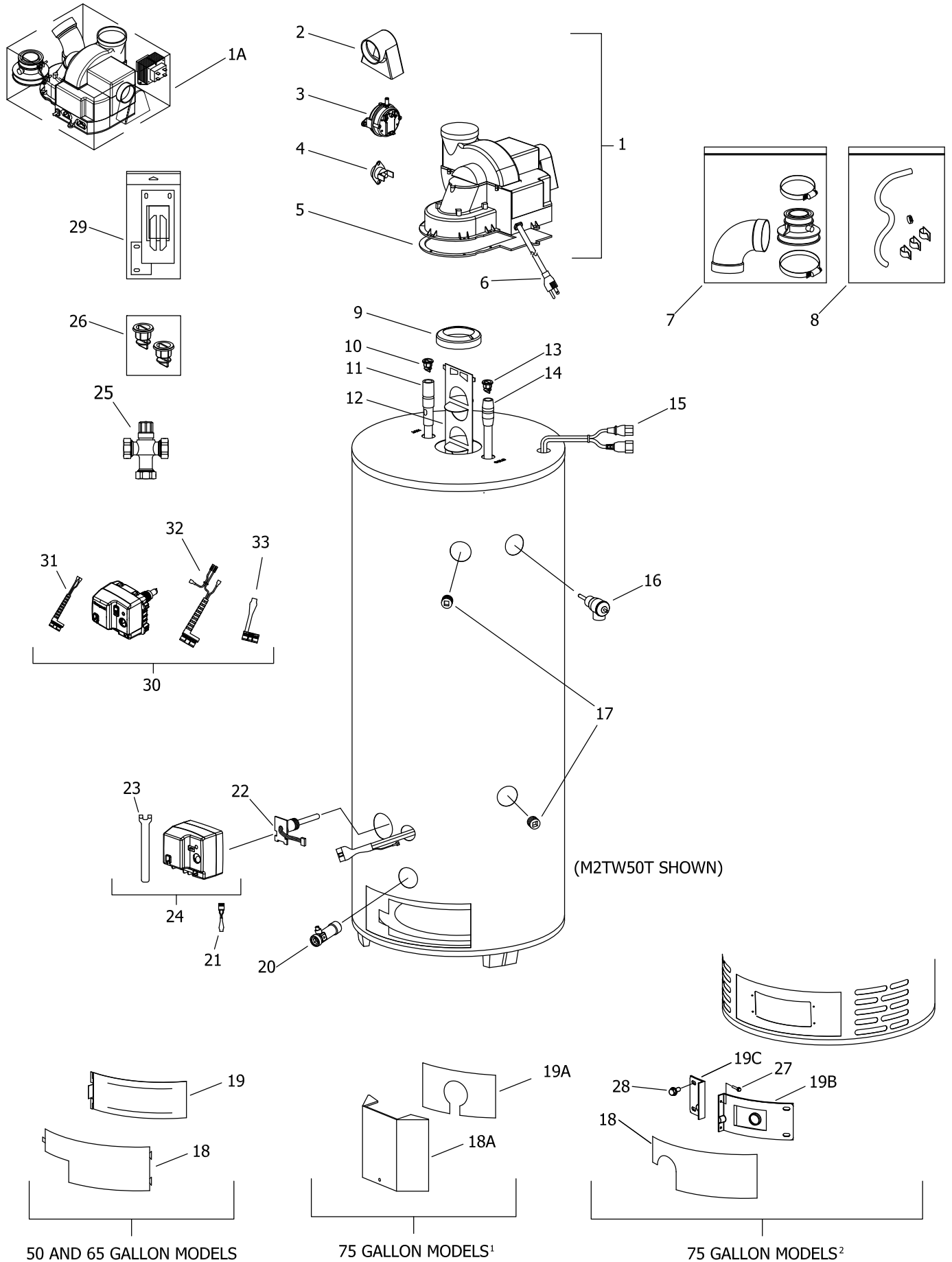
▲▲ Order with item 13.

¹ For 75 gal models with serial numbers prior to FD11847877.

² For 75 gal. models with serial number FD11847877 and after.

◆ For serial numbers beginning with "J" or sooner

◆◆ For serial numbers beginning with "K" or later



Item	Description	Model M1TW40S*(BN,CX)	Model M1TW50S*(BN,CX)	Model M2TW50T*(BN,CX)	Model M2TW65T*(BN,CX)
18	Outer Door	243-41061-00	243-41061-00	243-41061-00	243-41061-00
19	Inner Door Complete (Sliding)	243-36739-02	243-36739-02	243-36739-02	243-36739-02
20	Brass Drain Valve	415-48070-01	415-48070-01	415-48070-02	415-48070-02
21	Simulated Resistive Device♦	239-45949-00	239-45949-00	239-45949-00	239-45949-00
22	Thermowell♦	233-45651-01	233-45651-01	233-45651-02	233-45651-01
23	Gas Control Valve Service Tool♦	239-45991-00	239-45991-00	239-45991-00	239-45991-00
24	Kit-Gas Control Valve Nat. w/Service Tool♦	415-45613-01	415-45613-01	415-45613-01	415-45613-01
	Kit-Gas Control Valve LP w/Service Tool♦	415-45614-01	415-45614-01	415-45614-01	415-45614-01
25	ASSE Approved Mixing Valve	239-51778-00	239-51778-00	239-51778-00	239-51778-00
26	Heat Trap Insert Kit (Optional)	265-51572-00	265-51572-00	265-51572-00	265-51572-00
27	Gas Valve Natural Gas♦♦	239-48795-01	239-48795-01	239-48795-02	239-48795-02
	Gas Valve LP Gas♦♦	239-48796-01	239-48796-01	239-48796-02	239-48796-02
28	Flammable Vapor Sensor Harness♦♦	239-49791-00	239-49791-00	239-49791-00	239-49791-00
29	FV Sensor and Thermal Switch Harness♦♦	239-50066-00	239-50066-00	239-50066-00	239-50066-00
30	Simulated Resistive Device Harness♦♦	239-49817-00	239-49817-00	239-49817-00	239-49817-00

*Applies to all warranties

**Ordering a complete burner assembly may increase delivery time.

Please order the specific component required for the quickest delivery.

Anode may need to be cut to length

▲ Order with item 10.

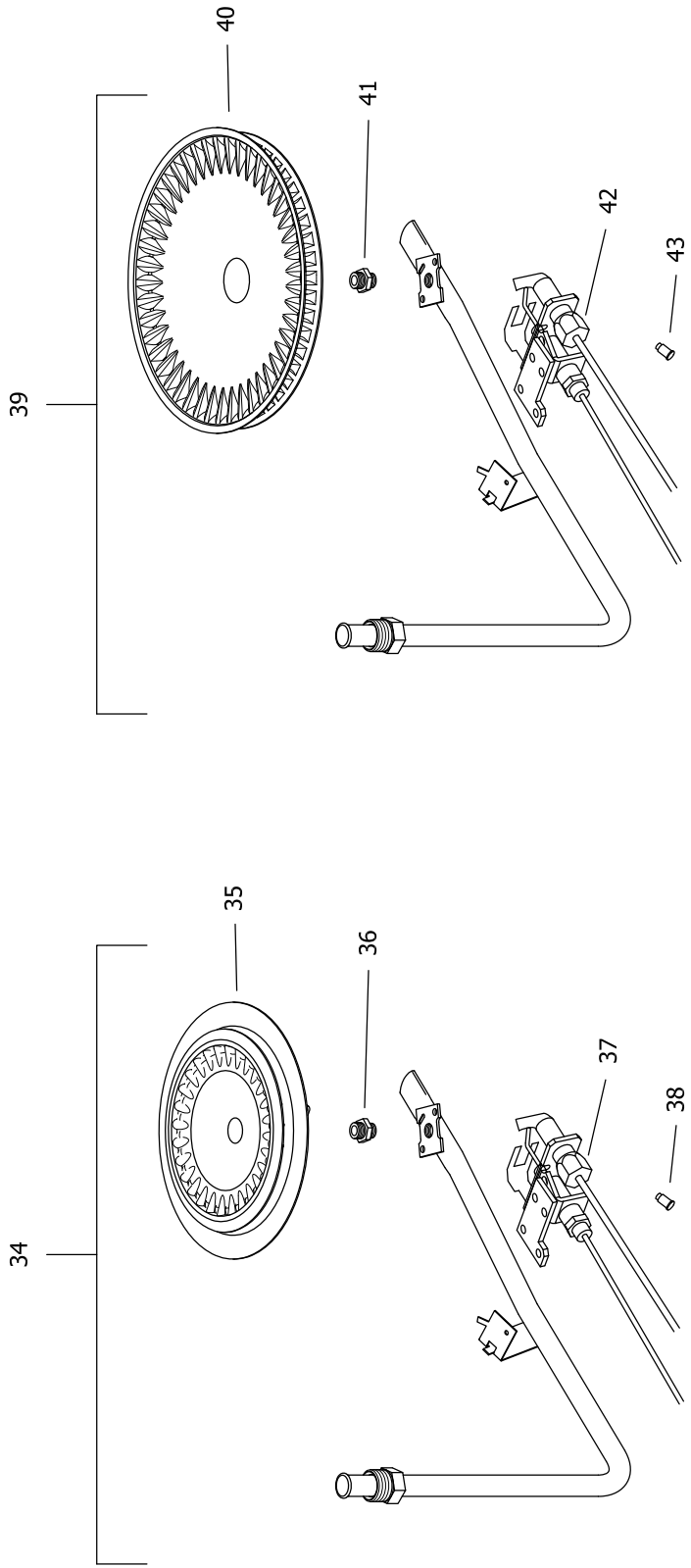
▲▲ Order with item 13.

¹ For 75 gal models with serial numbers prior to FD11847877.

² For 75 gal. models with serial number FD11847877 and after.

♦ For serial numbers beginning with "JM" or sooner

♦♦ For serial numbers beginning with "KA" or later



NATURAL GAS (BN) BURNER ASSEMBLY

LP GAS (SX) BURNER ASSEMBLY

LP GAS (SX) BURNER ASSEMBLY TO REPLACE LP GAS (CX) BURNER ASSEMBLY
ON ALL MODELS EXCEPT 75 & 100 GAL. MODELS

Item	Description	Model	Model	Model	Model
Natural Gas (BN) Burner Assembly		M1TW40S*(BN,CX)	M1TW50S*(BN,CX)	M2TW50T*(BN,CX)	M2TW65T*(BN,CX)
31	Nat. Gas (BN) Burner Assembly Complete**	265-47439-06-32	265-47439-09-32	265-47439-06-26	265-47439-09-26
32	Nat. Gas (BN) Burner Head	228-42506-00	228-42506-00	228-42506-00	228-42506-00
33	Nat. Gas (BN) Main Burner Orifice (0ft to 2000ft)	234-41034-32	234-41034-32	234-41034-26	234-41034-26
	Nat. Gas (BN) High Altitude Orifice (2001ft to 5000ft)	234-41034-33	234-41034-33	234-41034-30	234-41034-30
	Nat. Gas (BN) High Altitude Orifice (5001ft to 8000ft)	234-41034-35	234-41034-35	234-41034-30	234-41034-30
	Nat. Gas (BN) High Altitude Orifice (8001ft & above)	234-41034-38	234-41034-38	234-41034-31	234-41034-31
34	Nat. Gas Pilot Assembly w/Electrode	415-45653-05	415-45653-05	415-45653-05	415-45653-05
35	Nat. Gas Pilot Orifice	234-45869-01	234-45869-01	234-45869-01	234-45869-01
LP Gas (SX) Titanium Stabilized Stainless Steel Burner Assembly		Replacement for LP Gas (CX) Cast Iron Burner			
36	LP Gas (SX) Burner Assembly Complete**	265-47440-09-50	265-47440-15-50	265-47440-10-43	265-47440-16-43
37	LP Gas (SX) Burner Head	228-46964-00	228-46964-00	228-47000-00	228-47000-00
38	LP Gas (SX) Main Burner Orifice (0ft to 2000ft)	234-47064-50	234-47064-50	234-47064-43	234-47064-43
	LP Gas (SX) High Altitude Orifice (2001ft to 5000ft)	234-47064-51	234-47064-51	234-47064-46	234-47064-46
	LP Gas (SX) High Altitude Orifice (5001ft to 8000ft)	234-47064-52	234-47064-52	234-47064-47	234-47064-47
	LP Gas (SX) High Altitude Orifice (8001ft & above)	234-47064-53	234-47064-53	234-47064-47	234-47064-47
39	LP Gas Pilot Assembly w/Electrode	415-45653-04	415-45653-04	415-45653-04	415-45653-04
40	LP Gas Pilot Orifice	234-45869-02	234-45869-02	234-45869-02	234-45869-02
	- LP to Nat. Gas Conversion Kit (Norm. Alt.)	265-46493-01	265-46493-05	265-46493-10	265-46493-12
	- LP to Nat. Gas Conversion Kit (High Alt.)	265-46493-03	265-46493-07	265-46493-13	265-46493-15

*Applies to all warranties

**Ordering a complete burner assembly may increase delivery time.

Please order the specific component required for the quickest delivery.

▲ Order with item 10.

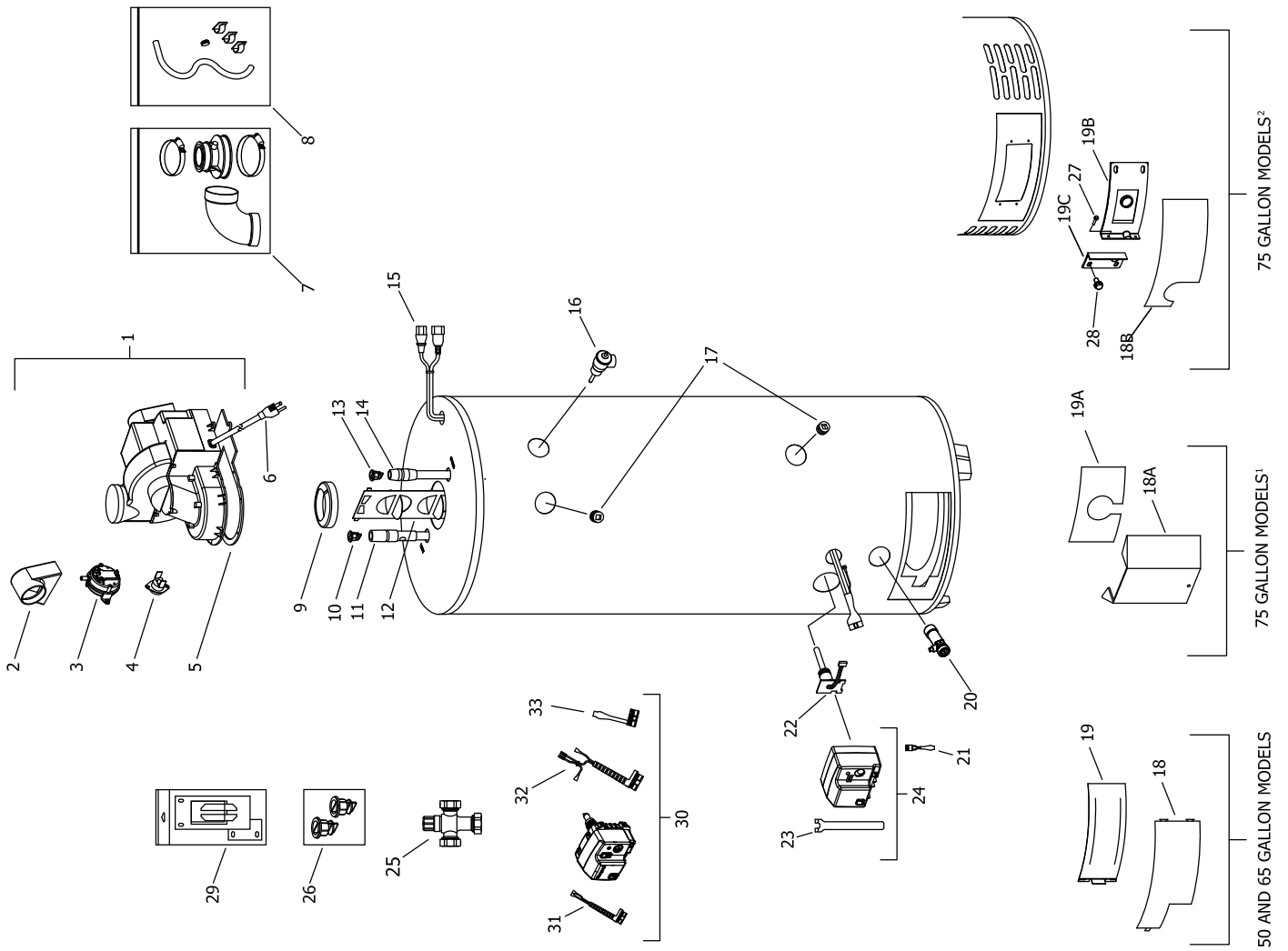
▲▲ Order with item 13.

¹ For 75 gal models with serial numbers prior to FD11847877.

² For 75 gal. models with serial number FD11847877 and after.

◆ For serial numbers beginning with "JM" or sooner

◆◆ For serial numbers beginning with "KA" or later



Item	Description	Model	Model	Model	Model
		M2TW75T*(BN,CX)	TW450S*(BN,CX)	TW465S*(BN,CX)	TW475S76*(BN,CX)
1	Blower Complete (0ft to 2000ft)	415-45583-00	415-45583-00	415-45583-00	415-45583-00
	Blower Complete High Altitude (Over 2000ft)	243-45986-00	243-45986-00	243-45986-00	243-45986-00
2	Air Mixing Inlet	239-45868-00	239-45868-00	239-45868-00	239-45868-00
3	Pressure Switch (0ft to 2000ft)	239-45867-02	239-45867-02	239-45867-02	239-45867-02
	Pressure Switch (Over 2000ft)	239-45867-04	239-45867-04	239-45867-04	239-45867-04
4	Blower Temperature Switch	415-48752-00	415-48752-00	415-48752-00	415-48752-00
5	Blower Gasket	239-45866-00	239-45866-00	239-45866-00	239-45866-00
6	Blower Power Cord	239-45990-00	239-45990-00	239-45990-00	239-45990-00
7	3" Vent Adaptor w/Vent Terminal	239-46264-00	239-46264-00	239-46264-00	239-46264-00
8	Condensate Hose Kit (Optional)	415-45875-00	415-45875-00	415-45875-00	415-45875-00
9	Flue Reducer	243-42572-00	243-42572-00	243-42572-00	243-42572-00
10	Heat Trap Outlet	415-45167-00	415-45167-00	415-45167-00	415-45167-00
11	Hot Water Outlet Anode (Magnesium) ▲	415-55482-00	415-55482-00	415-55482-00	415-55482-00
	Hot Water Outlet Anode (Aluminum) ▲	415-55484-00	415-55484-00	415-55484-00	415-55484-00
	Hot Water Outlet Anode (A420 Aluminum) ▲#	415-55486-00	415-55486-00	415-55486-00	415-55486-00
12	Flue Baffle	243-45373-00	243-45373-00	243-45373-00	243-45373-00
13	Heat Trap Inlet	415-45073-00	415-45073-00	415-45073-00	415-45073-00
14	Cold Water Inlet Dip Tube (PPDTA)▲▲	229-39625-05	415-45398-01	415-45398-02	229-39625-19
	Cold Water Inlet Dip Tube (PSDTA) (NC Code)▲▲	229-39628-05	415-45092-01	229-45092-03	229-39628-19
15	Blower Harness	239-45617-02	239-45617-02	239-45617-02	239-45617-02
16	T&P Relief Valve	415-40594-02	415-40594-02	415-40594-02	415-40594-02
17	3/4 NPT Pipe Plug	239-11638-00	239-11638-00	239-11638-00	239-11638-00

*Applies to all warranties

**Ordering a complete burner assembly may increase delivery time.

Please order the specific component required for the quickest delivery.

A420 Anode may need to be cut to length

▲ Order with item 10.

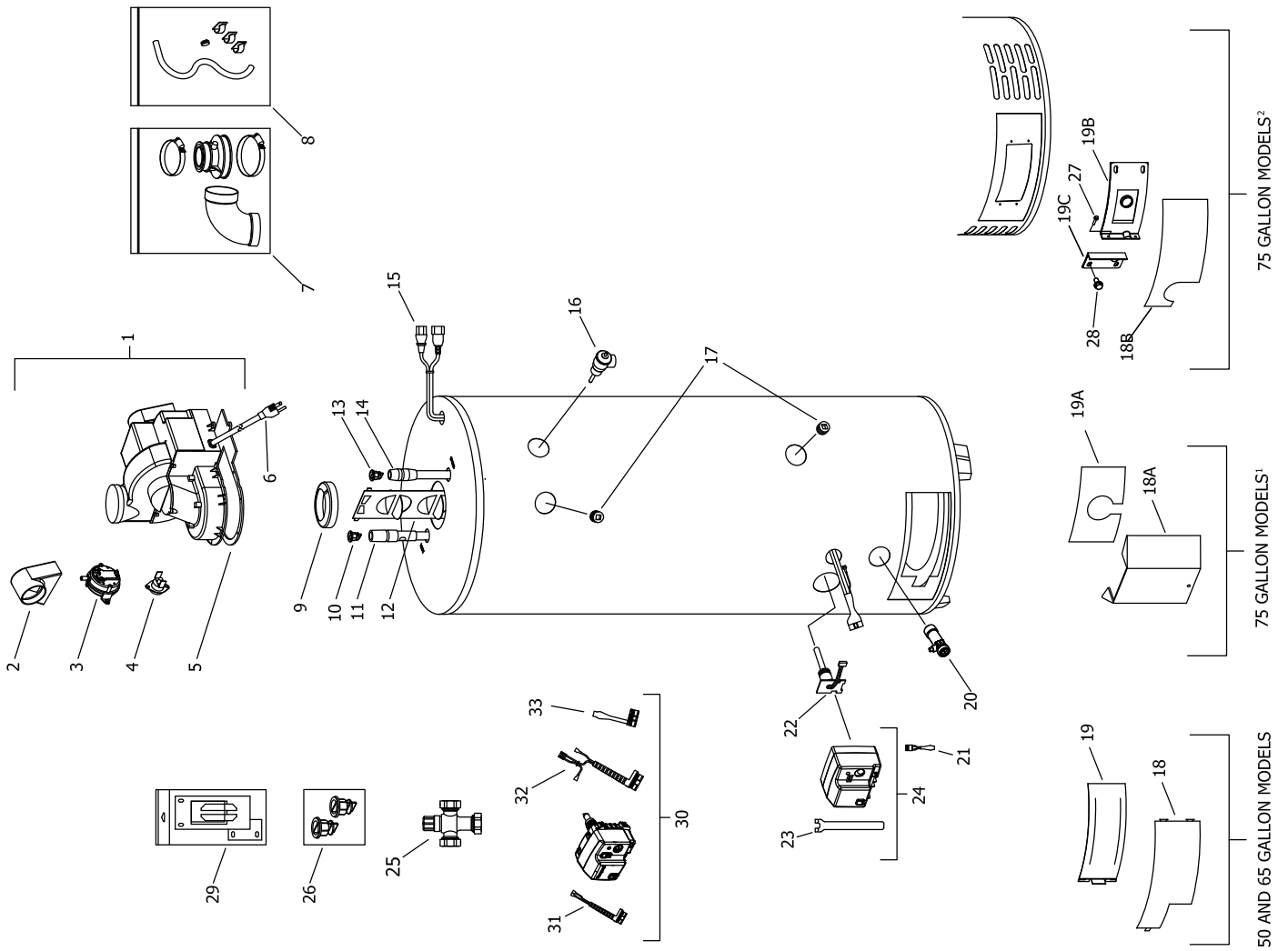
▲▲ Order with item 13.

¹ For 75 gal models with serial numbers prior to FD11847877.

² For 75 gal. models with serial number FD11847877 and after.

◆ For serial numbers beginning with "J" or sooner

◆◆ For serial numbers beginning with "K" or later



Item	Description	Model M2TW75T*(BN,CX)	Model TW450S*(BN,CX)	Model TW465S*(BN,CX)	Model TW475S76*(BN,CX)
18	Outer Door	---	243-41061-00	243-41061-00	---
18A	Outer Door	243-37177-00 ¹	---	---	243-37177-00 ¹
18B	Outer Door	243-43962-00 ²	---	---	243-43962-00 ²
19	Inner Door Complete (Sliding)	---	243-36739-02	243-36739-02	---
19A	Inner Door Complete (Some 75 gal. models) ¹	243-39207-00 ¹	---	---	243-39207-00 ¹
19B	Right Side Inner Door Complete	239-47504-22 ²	---	---	239-47504-22 ²
19C	Left Side Inner Door Complete	239-43968-20 ²	---	---	239-43968-20 ²
20	Brass Drain Valve	415-48070-02	415-48070-02	415-48070-02	415-48070-02
21	Simulated Resistive Device♦	239-45949-00	239-45949-00	239-45949-00	239-45949-00
22	Thermowell♦	233-45651-02	233-45651-02	233-45651-01	233-45651-02
23	Gas Control Valve Service Tool♦	239-45991-00	239-45991-00	239-45991-00	239-45991-00
24	Kit-Gas Control Valve Nat. w/Service Tool♦	415-45613-01	---	---	---
	Kit-Gas Control Valve LP w/Service Tool♦	415-45614-01	415-45614-02	415-45614-02	415-45614-02
25	ASSE Approved Mixing Valve	239-43740-01	239-43740-01	239-43740-01	239-43740-01
26	Heat Trap Insert Kit (Optional)	265-45419-00	265-45419-00	265-45419-00	265-45419-00
27	Screw - 10-12X3/4 Hex/ Washer	239-52581-00 ²	---	---	239-52581-00 ²
28	Screw - 8-15X3/4 Hex/ Washer	239-44195-00 ²	---	---	239-44195-00 ²
29	Inner Door Gasket Kit	239-47792-00	---	---	239-47792-00
30	Gas Valve Natural Gas♦♦	239-48795-02	239-48795-02	239-48795-04	239-48795-04
	Gas Valve LP Gas♦♦	239-48796-02	239-48796-02	239-48796-04	239-48796-04
31	Flammable Vapor Sensor Harness♦♦	239-49791-00	239-49791-00	239-49791-00	239-49791-00
32	FV Sensor and Thermal Switch Harness♦♦	239-50066-00	239-50066-00	239-50066-00	239-50066-00
33	Simulated Resistive Device Harness♦♦	239-49817-00	239-49817-00	239-49817-00	239-49817-00

*Applies to all warranties

**Ordering a complete burner assembly may increase delivery time.

Please order the specific component required for the quickest delivery.

A420 Anode may need to be cut to length

▲ Order with item 10.

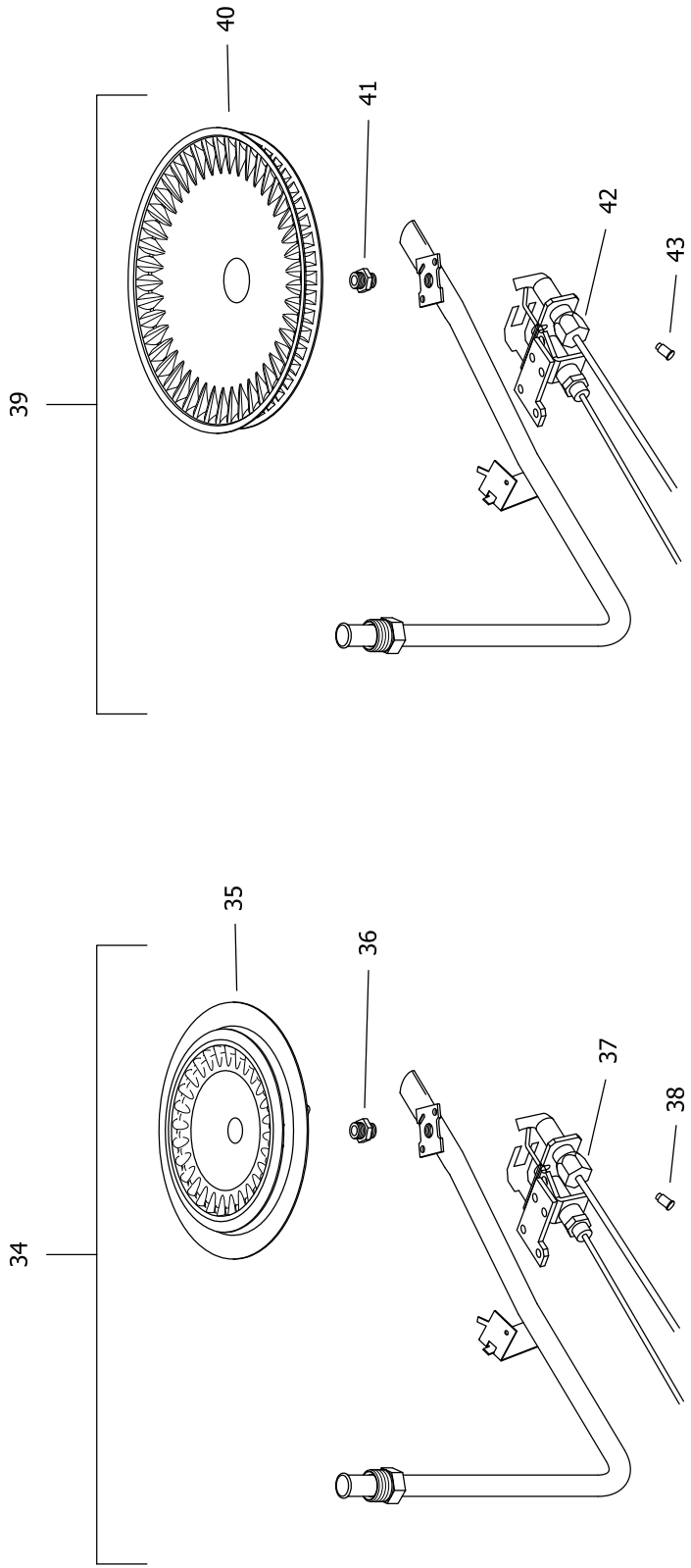
▲▲ Order with item 13.

¹ For 75 gal models with serial numbers prior to FD11847877.

² For 75 gal. models with serial number FD11847877 and after.

♦ For serial numbers beginning with "JM" or sooner

♦♦ For serial numbers beginning with "KA" or later



NATURAL GAS (BN) BURNER ASSEMBLY

LP GAS (SX) BURNER ASSEMBLY

LP GAS (SX) BURNER ASSEMBLY TO REPLACE LP GAS (CX) BURNER ASSEMBLY
ON ALL MODELS EXCEPT 75 & 100 GAL. MODELS

Item	Description	Model	Model	Model	Model
Natural Gas (BN) Burner Assembly		M2TW75T*(BN,CX)	TW450S*(BN,CX)	TW465S*(BN,CX)	TW475S76*(BN,CX)
34	Nat. Gas (BN) Burner Assembly Complete**	265-45652-03-21 ¹	265-47439-06-26	265-47439-09-26	265-45652-03-21 ¹
35	Nat. Gas (BN) Burner Head	228-42506-00 ¹	228-42506-00	228-42506-00	228-42506-00 ¹
36	Nat. Gas (BN) Main Burner Orifice (0ft to 2000ft)	234-41034-21	234-41034-26	234-41034-26	234-41034-21
	Nat. Gas (BN) High Altitude Orifice (2001ft to 5000ft)	234-41034-24	234-41034-30	234-41034-30	234-41034-24
	Nat. Gas (BN) High Altitude Orifice (5001ft to 8000ft)	234-41034-29	234-41034-30	234-41034-30	234-41034-29
	Nat. Gas (BN) High Altitude Orifice (8001ft & above)	234-41034-31	234-41034-31	234-41034-31	234-41034-31
37	Nat. Gas Pilot Assembly w/Electrode	233-45653-05	233-45653-05	233-45653-05	233-45653-05
38	Nat. Gas Pilot Orifice	234-45869-01	234-45869-01	234-45869-01	234-45869-01
LP Gas (SX) Titanium Stabilized Stainless Steel Burner Assembly		Replacement for LP Gas (CX) Cast Iron Burner			
39	LP Gas (SX) Burner Assembly Complete**	265-47112-01-41 ¹	265-47440-10-43	265-47440-16-42	265-47112-01-41 ¹
40	LP Gas (SX) Burner Head	228-46938-00	228-47000-00	228-47000-00	228-46938-00
41	LP Gas (SX) Main Burner Orifice (0ft to 2000ft)	234-47064-41 ¹	234-47064-43	234-47064-42	234-47064-41 ¹
	LP Gas (SX) High Altitude Orifice (2001ft to 5000ft)	234-47064-44	234-47064-46	234-47064-46	234-47064-44
	LP Gas (SX) High Altitude Orifice (5001ft to 8000ft)	234-47064-44	234-47064-47	234-47064-47	234-47064-44
	LP Gas (SX) High Altitude Orifice (8001ft & above)	234-47064-45	234-47064-47	234-47064-47	234-47064-45
42	LP Gas Pilot Assembly w/Electrode	233-45653-04	233-45653-04	233-45653-04	233-45653-04
43	LP Gas Pilot Orifice	234-45869-02	234-45869-02	234-45869-02	234-45869-02
	- LP to Nat. Gas Conversion Kit (Norm. Alt.)	265-46493-18 ¹	265-46493-38	265-46493-40	265-46493-22 ¹
	- LP to Nat. Gas Conversion Kit (High Alt.)	265-46493-19 ¹	265-46493-39	265-46493-41	265-46493-28 ¹
	- LP to Nat. Gas Conversion Kit (Norm. Alt.)	265-46493-63 ²	265-46493-38	265-46493-40	265-46493-65 ²
	- LP to Nat. Gas Conversion Kit (High Alt.)	265-46493-64 ²	265-46493-39	265-46493-41	265-46493-66 ²

*Applies to all warranties

**Ordering a complete burner assembly may increase delivery time.

Please order the specific component required for the quickest delivery.

▲ Order with item 10.

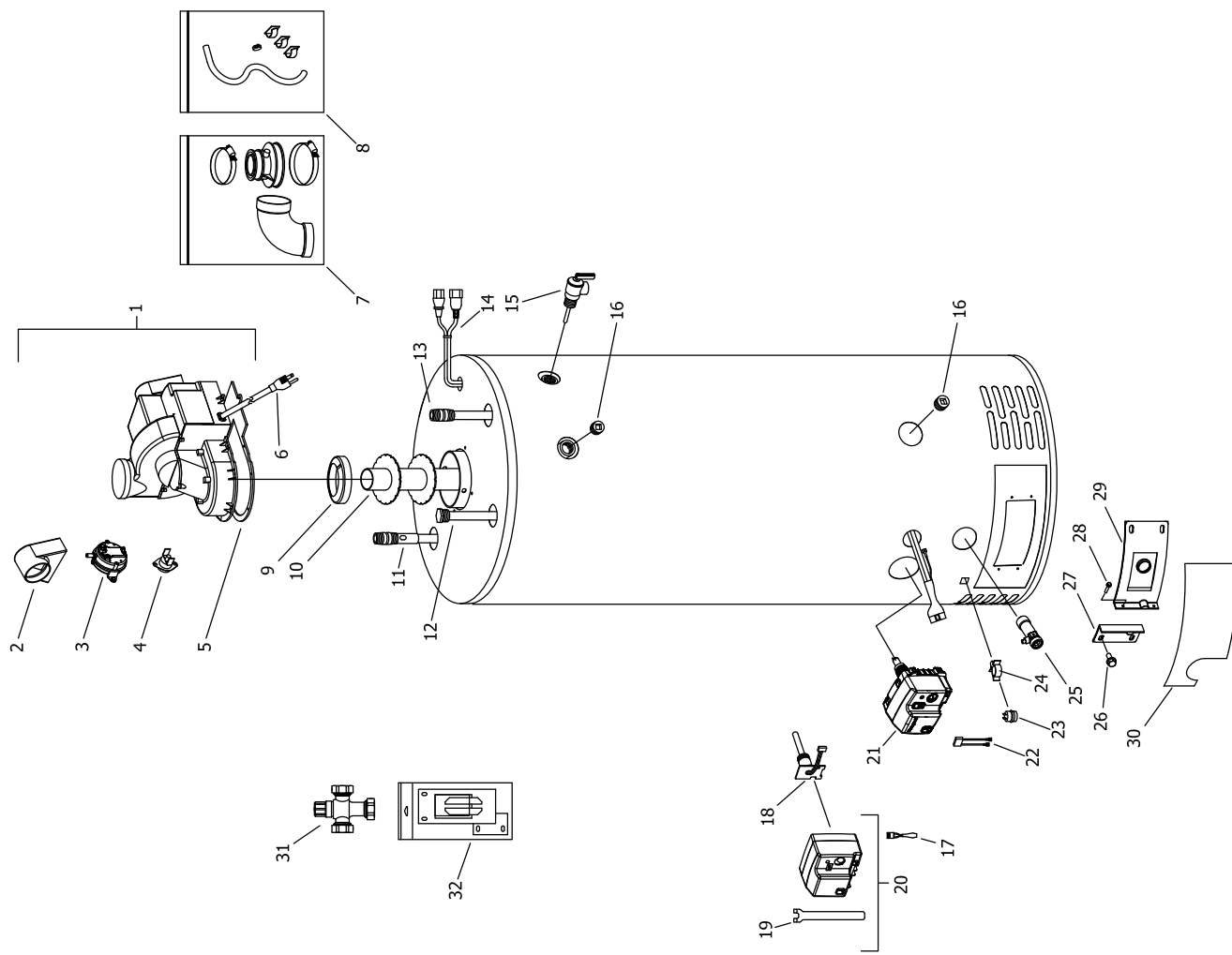
▲▲ Order with item 13.

¹ For 75 gal models with serial numbers prior to FD11847877.

² For 75 gal. models with serial number FD11847877 and after.

◆ For serial numbers beginning with "JM" or sooner

◆◆ For serial numbers beginning with "KA" or later



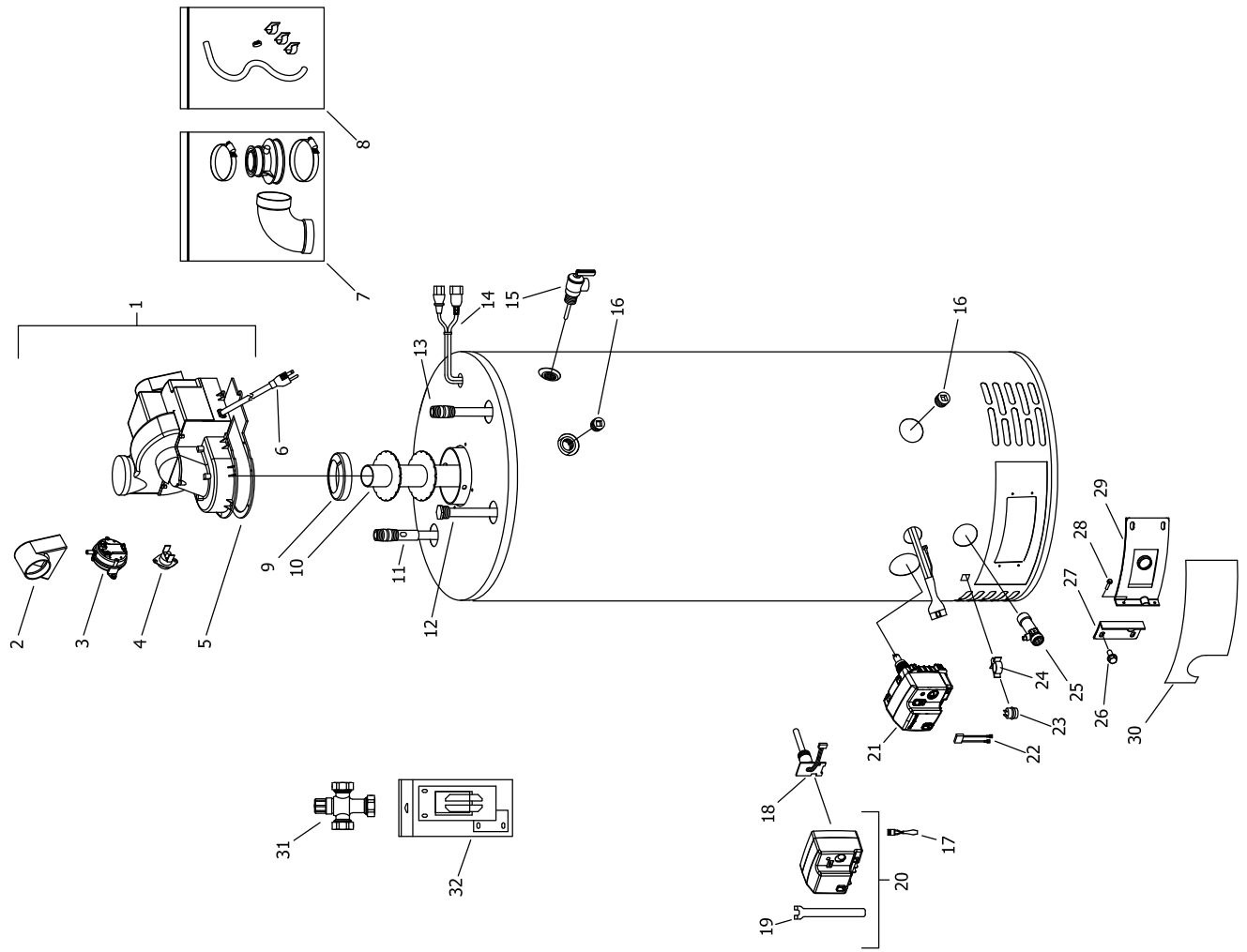
Item	Description	Model	Model	Model	Model
		GX2TW25S*(BN,SX)	GX1TW55S*(BN,SX)	TW25X76(B,S)3(N,X)	TW55X78(B,S)3(N,X)
1	Blower Complete (0ft to 2000ft)	239-47659-00	239-47659-00	239-47659-00	239-47659-00
	Blower Complete High Altitude (Over 2000ft)	243-47660-00	239-45583-00	243-47660-00	243-47660-00
2	Air Mixing Inlet	239-45868-00	239-45868-00	239-45868-00	239-45868-00
3	Pressure Switch (0ft to 2000ft)	415-47815-01	415-47815-01	415-47815-01	415-47815-01
	Pressure Switch (Over 2000ft)	415-47815-02	415-47815-02	415-47815-02	415-47815-02
4	Blower Temperature Switch	415-48752-00	415-48752-00	415-48752-00	415-48752-00
5	Blower Gasket	239-45866-00	239-45866-00	239-45866-00	239-45866-00
6	Blower Power Cord	239-45990-00	239-45990-00	239-45990-00	239-45990-00
7	3" Vent Adaptor w/Vent Terminal	239-46264-00	239-45639-00	239-46264-00	239-46264-00
8	Condensate Hose Kit (Optional)	415-45875-00	415-45875-00	415-45875-00	415-45875-00
9	Flue Reducer	243-42572-00	243-42572-00	---	---
10	Flue Core	239-47658-00	239-47658-00	239-47658-00	239-47658-00
11	Hot Water Outlet Anode (Magnesium) #	415-55482-00	415-55482-00	415-55482-00	415-55482-00
	Hot Water Outlet Anode (Aluminum) #	415-55484-00	415-55484-00	415-55484-00	415-55484-00
	Hot Water Outlet Anode (A420 Aluminum) #	415-55486-00	415-55486-00	415-55486-00	415-55486-00
12	Hex Head Anode (Magnesium) #	415-55483-00	415-55483-00	---	---
	Hex Head Anode (Aluminum) #	224-38508-01	224-38508-01	---	---
	Hex Head Anode (A420 Aluminum) #	415-55487-00	415-55487-00	---	---
13	Cold Water Inlet Dip Tube (NC Code)	415-45092-02	415-45092-02	415-45092-02	415-45092-02
14	Blower Harness	239-45617-02	239-45617-02	239-45617-02	239-45617-02
15	T&P Relief Valve	415-40594-03	415-40594-01	415-40594-02	415-40594-02
16	3/4 NPT Pipe Plug	239-11638-00	239-11638-00	239-11638-00	239-11638-00

*Applies to all warranties

**Ordering a complete burner assembly may increase delivery time.

Please order the specific component required for the quickest delivery.

Anode may need to be cut to length

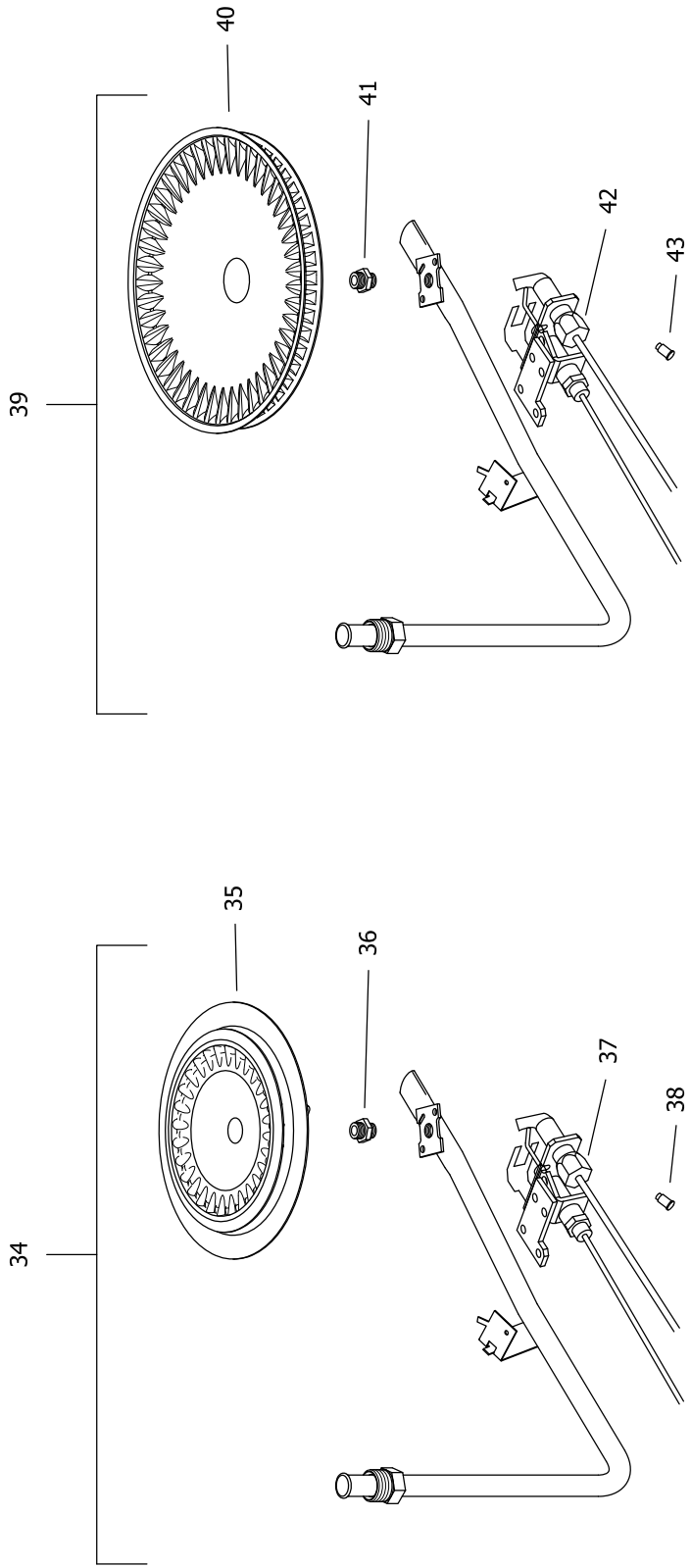


Item	Description	Model	Model	Model	Model
		GX2TW25S*(BN,SX)	GX1TW55S*(BN,SX)	TW25X76(B,S)3(N,X)	TW55X78(B,S)3(N,X)
17	Simulated Resistive Device♦	---	---	239-45949-00	239-45949-00
18	Thermowell♦	---	---	233-45651-02	233-45651-01
19	Gas Control Valve Service Tool♦	---	---	239-45991-00	239-45991-00
20	Kit-Gas Control Valve Nat. w/Service Tool♦	---	---	415-45613-01	415-45613-01
	Kit-Gas Control Valve LP w/Service Tool♦	---	---	415-45614-01	415-45614-01
21	Gas Valve Natural Gas♦♦	239-48795-04	239-48795-02	239-48795-02	239-48795-04
	Gas Valve LP Gas♦♦	239-48796-04	415-45614-02	415-45614-02	415-45614-02
22	Flammable Vapor Sensor Harness♦♦	239-49791-00	239-49791-00	239-49791-00	239-49791-00
23	FV Sensor	239-45560-00	239-49817-00	239-49817-00	239-49817-00
24	Sensor clip	239-45648-00	239-50066-00	239-50066-00	239-50066-00
25	Brass Drain Valve	415-48070-02	415-48070-01	415-48070-02	415-48070-01
26	Screw - 10-12X3/4 Hex/ Washer	239-44113-00	239-44113-00	239-44116-00	239-44116-00
27	Left Side Inner Door Complete	239-43968-14	239-43968-20	239-43968-14	239-43968-20
28	Screw - 8-15X3/4 Hex/ Washer	239-44195-00	239-44195-00	239-44195-00	239-44195-00
29	Right Side Inner Door Complete	239-43963-15	239-45642-20	239-43963-15	239-45642-20
30	Outer Door	243-41061-00	243-41061-00	243-43962-00	243-43962-00
31	ASSE Approved Mixing Valve	239-51778-00	239-51778-00	239-51778-00	239-51778-00
32	Inner Door Gasket Kit	239-44078-00	239-44078-00	239-44078-00	239-44078-00

*Applies to all warranties

♦ For serial numbers beginning with "JM" or sooner

♦♦ For serial numbers beginning with "KA" or later



NATURAL GAS (BN) BURNER ASSEMBLY

LP GAS (SX) BURNER ASSEMBLY

LP GAS (SX) BURNER ASSEMBLY TO REPLACE LP GAS (CX) BURNER ASSEMBLY
ON ALL MODELS EXCEPT 75 & 100 GAL. MODELS

Item	Description	Model	Model	Model	Model
Natural Gas (BN) Burner Assembly					
		GX2TW25S*(BN,SX)	GX1TW55S*(BN,SX)	TW25X76(B,S)3(N,X)	TW55X78(B,S)3(N,X)
33	Nat. Gas (BN) Burner Assembly Complete**	265-47439-14-25	265-45652-07-24	265-47439-14-25	265-47439-15-24
34	Nat. Gas (BN) Burner	228-47000-00	228-47000-00	228-47000-00	228-47000-00
35	Nat. Gas (BN) Main Burner Orifice (0ft to 2000ft)	234-41034-25	234-41034-24	234-41034-25	234-41034-24
	Nat. Gas (BN) High Altitude Orifice (2001ft to 5000ft)	234-41034-28	234-41034-26	234-41034-28	234-41034-26
	Nat. Gas (BN) High Altitude Orifice (5001ft to 8000ft)	234-41034-28	234-41034-26	234-41034-28	234-41034-26
	Nat. Gas (BN) High Altitude Orifice (8001ft & above)	234-41034-28	234-41034-26	234-41034-28	234-41034-26
36	Nat. Gas Pilot Assembly w/Electrode	415-45653-05	415-45653-05	415-45653-05	415-45653-05
37	Nat. Gas Pilot Orifice	234-45869-01	234-45869-01	234-45869-01	234-45869-01
LP Gas (SX) Titanium Stabilized Stainless Steel Burner Assembly					
38	LP Gas (SX) Burner Assembly Complete**	265-47440-24-41	243-47119-02	265-47440-24-41	265-47440-10-40
39	LP Gas (SX) Burner Head	228-47000-00	228-47000-00	228-47000-00	228-47000-00
40	LP Gas (SX) Main Burner Orifice (0ft to 2000ft)	234-47064-41	234-47064-40	234-47064-41	234-47064-40
	LP Gas (SX) High Altitude Orifice (2001ft to 5000ft)	234-47064-45	234-47064-44	234-47064-45	234-47064-44
	LP Gas (SX) High Altitude Orifice (5001ft to 8000ft)	234-47064-45	234-47064-44	234-47064-45	234-47064-44
	LP Gas (SX) High Altitude Orifice (8001ft & above)	234-47064-45	234-47064-44	234-47064-45	234-47064-44
41	LP Gas Pilot Assembly w/Electrode	415-45653-04	415-45653-04	415-45653-04	415-45653-04
42	LP Gas Pilot Orifice	234-45869-02	234-45869-02	234-45869-02	234-45869-02
	- LP to Nat. Gas Conversion Kit (Norm. Alt.)	265-46493-44	265-46493-42	265-46493-44	265-46493-42
	- LP to Nat. Gas Conversion Kit (High Alt.)	265-46493-45	265-46493-43	265-46493-45	265-46493-43
	- LP to Nat. Gas Conversion Kit (Norm. Alt.)	265-46493-44	265-46493-42	265-46493-44	265-46493-42
	- LP to Nat. Gas Conversion Kit (High Alt.)	265-46493-45	265-46493-43	265-46493-45	265-46493-43

*Applies to all warranties

**Ordering a complete burner assembly may increase delivery time.



United States

Sales 1-800-523-2931
Technical Support 1-800-334-3393
Email techsupport@bradfordwhite.com
Warranty 1-800-531-2111
Email warranty@bradfordwhite.com
Service Parts 1-800-538-2020
Email parts@bradfordwhite.com

Canada

Sales 1-866-690-0961 1-905-203-0600
Fax 905-636-0666
Warranty 1-800-531-2111
Email warranty@bradfordwhite.com
Technical Support 1-800-334-3393
Email techsupport@bradfordwhite.com
Service Parts and Orders ca.orders@bradfordwhite.com

For U.S. and Canada field service, contact your professional installer or local Bradford White sales representative.

International

General Contact international@bradfordwhite.com