



COMMERCIAL GAS REPLACEMENT PARTS LIST

Ultra High Efficiency (eF) Series (60 and 100 gallon models)



Models Covered:

EF60T125(E)*(N,X)(A)2

EF60T150(E)*(N,X)(A)2

EF60T199(E)*(N,X)(A)2

EF100T150(E)*(N,X)(A)(2)

EF100T199(E)*(N,X)(A)(2)

EF100T250(E)*(N,X)(A)(2)

EF100T300(E)*(N,X)(A)(2)

EF100T399(E)*(N,X)(A)2

*Denotes warranty year

Includes Hydrojet®
Total Performance System

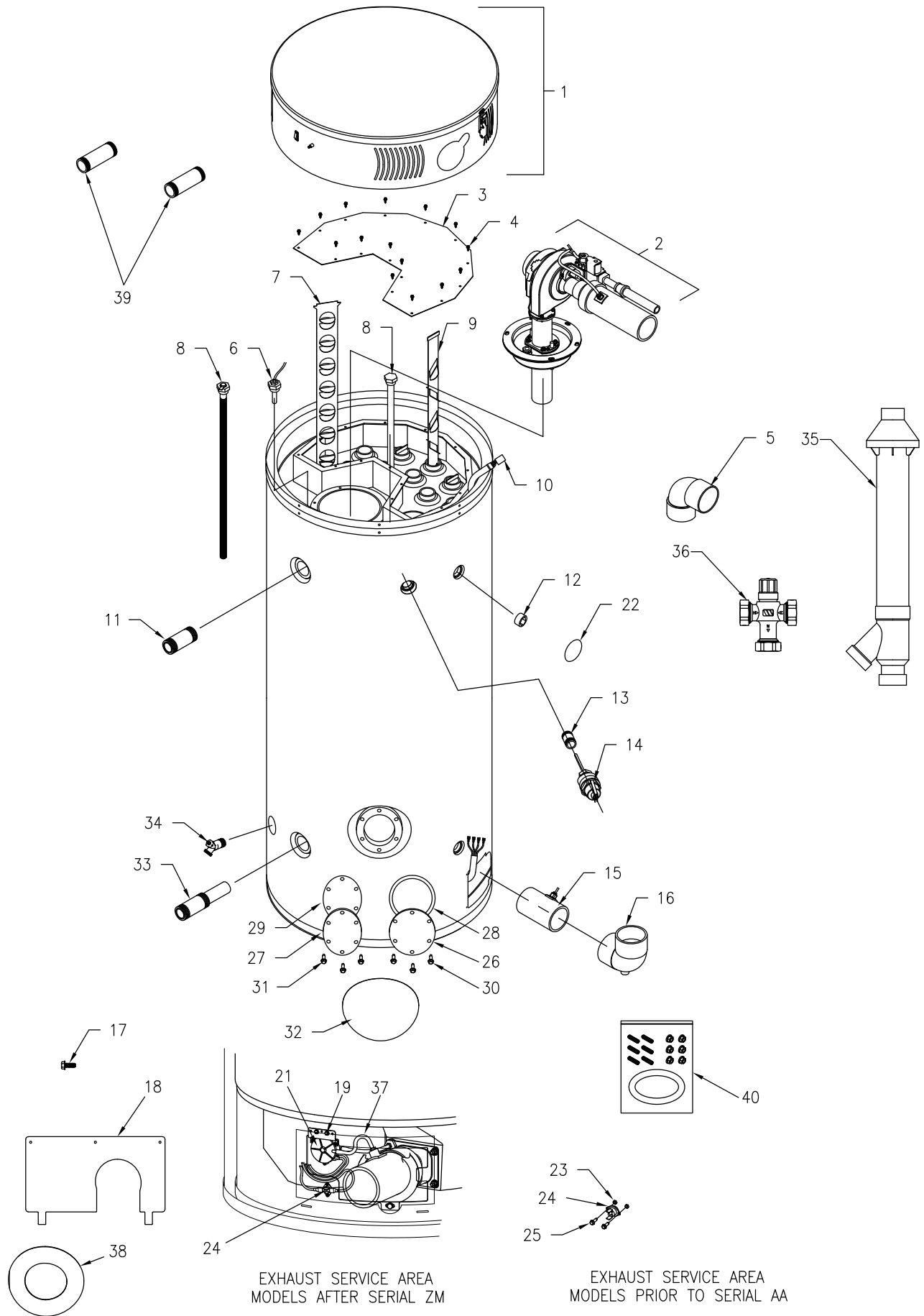
Effective: November, 2024
ECO 8780

**NOTE: BOTH MODEL AND SERIAL
NUMBERS ARE REQUIRED FOR
ORDERING REPLACEMENT PARTS**

Dimensions and specifications
subject to change without notice.



As required by the state of California Proposition 65.



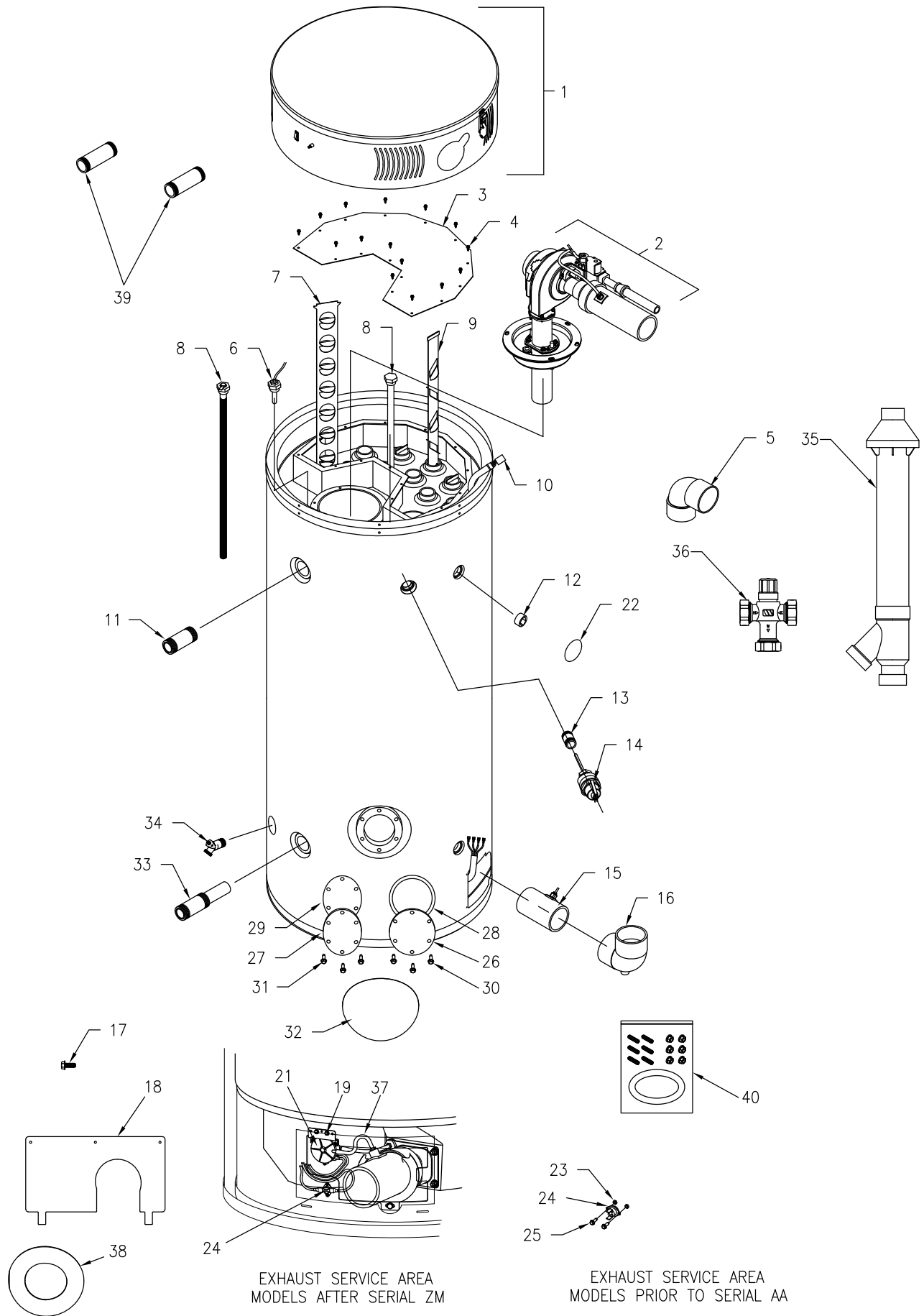
Item	Description	Model	Model	Model	Model
		EF60T125(E)*(N,X)(A)2	EF60T150(E)*(N,X)(A)2	EF60T199(E)*(N,X)(A)2	EF100T150(E)*(N,X)(A)(2)
1	Combustion Surround Assembly	See Page 14	See Page 14	See Page 14	See Page 14
2	Combustion System Assembly	See Page 10	See Page 10	See Page 10	See Page 10
3	Collector Cover Second Pass	239-43454-00	239-43454-00	239-43454-00	239-43454-00
4	Screw-Second Pass Collector Cover	239-44444-00	239-44444-00	239-44444-00	239-44444-00
5	Elbow-Vent Terminal (2 req'd)	415-40579-00	415-40579-00	415-40579-00	415-40579-00
6	Temperature Sensor	415-46553-02	415-46553-02	415-46553-02	415-46553-02
7	Baffle 4" Flue (2 req'd)	243-43304-00	243-43304-00	243-43304-00	---
8	Anode Rod (Magnesium) (4 req'd)#	415-55483-00	415-55483-00	415-55483-00	415-55483-00
	Anode Rod (Aluminium) (4 req'd)#	415-55485-00	415-55485-00	415-55485-00	---
	Anode Rod (A420 Aluminum) (4 req'd)#	415-55486-00	415-55486-00	415-55486-00	415-55486-00
9	Baffle 2" Flue (8 req'd)	239-45659-00	239-45659-00	239-45659-00	239-45658-00
10	Wire Harness-Service Panel	239-43358-02	239-43358-02	239-43358-02	239-43358-01
11	Nipple Hot Water Outlet Plasticsert (front connect)	229-40913-07	229-40913-07	229-40913-07	229-40913-07
12	Pipe Plug 1" NPT	239-02048-00	239-02048-00	239-02048-00	239-02048-00
13	Nipple Plasticsert 3/4" NPT x 2"	229-32762-02	229-32762-02	229-32762-02	229-32762-02
14	T&P Relief Valve	415-30246-00	415-30246-00	415-30246-00	415-30246-00
15	Exhaust Pipe (PVC) with Hose Barb	239-45971-00	239-45971-00	239-45971-00	239-45971-00
16	Condensate Elbow	415-43211-00	415-43211-00	415-43211-00	415-43211-00
17	Screw Service Panel	239-42637-00	239-42637-00	239-42637-00	239-42637-00
18	Outer Door EF series (serial after ZM)	243-44668-00	243-44668-00	243-44668-00	243-44668-00
19	Screw-Second Pass Collector Cover	239-44444-00	239-44444-00	239-44444-00	239-44444-00
20	Service Panel Bracket	See Note	See Note	See Note	See Note
21	Exhaust Pressure Switch:	---	---	---	---
	Pressure Switch 1.15 WC ▲	415-45222-04	415-45222-03	415-45222-01	415-45222-01
	Pressure Switch 1.15 WC ▲▲	415-44723-04	415-44723-03	415-44723-01	415-44723-02
	Pressure Switch 1.15 WC ◆	415-46037-01	415-46037-01	415-46037-01	415-46037-01
22	Hole Closure	239-31547-02	239-31547-02	239-31547-02	239-31547-02

* Applies to all warranties

Anode may need to be cut to length; see end of this parts list for further information
Service panel bracket no longer available.
Replace with external pressure switch kit for
Serial prior to AA (external pressure switch kit)▲
Serial AA thru CE7818522▲▲
Serial CE7818523 & after ◆

Item	Description	Model	Model	Model	Model
		EF60T125(E)*(N,X)(A)2	EF60T150(E)*(N,X)(A)2	EF60T199(E)*(N,X)(A)2	EF100T150(E)*(N,X)(A)(2)
23	Keps Nut	239-81844-00	239-81844-00	239-81844-00	239-81844-00
24	Resettable Limit Switch	415-43238-02	415-43238-02	415-43238-02	415-43238-02
25	Screw 6-32 x 3/8	239-81843-00	239-81843-00	239-81843-00	239-81843-00
26	Cleanout Cover	205-18428-00	205-18428-00	205-18428-00	205-18428-00
27	Cleanout Cover (ASME)	205-32941-00	205-32941-00	205-32941-00	205-32941-00
28	Cleanout Gasket	205-18427-00	205-18427-00	205-18427-00	205-18427-00
29	Cleanout Gasket (ASME)	205-32942-00	205-32942-00	205-32942-00	205-32942-00
30	Screw 5/16 - 18 x 1/2	239-82166-00	239-82166-00	239-82166-00	239-82166-00
31	Screw 5/16 - 18 x 3/4 (ASME)	239-32970-00	239-32970-00	239-32970-00	239-32970-00
32	Clean Out Access Cover	243-20299-00	243-20299-00	243-20299-00	243-20299-00
33	Inlet Tube Hydrojet (front connect)	415-44375-00	415-44375-00	415-44375-00	415-44375-00
	Cold Water Inlet Dip Tube ▲	---	---	---	229-46709-05
34	Drain Valve Brass (no handle)	415-42351-02	415-42351-02	415-42351-02	415-42351-02
35	Coaxial Vent Terminal Horz./Vert. 3"	415-44069-01	415-44069-01	415-44069-01	415-44069-01
36	ASSE Approved Mixing Valve (Optional)	239-51778-00	239-51778-00	239-51778-00	239-51778-00
37	Silicone Tubing 3/16" I.D.	239-41718-00	239-41718-00	239-41718-00	239-41718-00
38	Exhaust Escutcheon	239-43997-00	239-43997-00	239-43997-00	239-43997-00
39	Horizontal Inlet/Outlet Nipple (serial prior to AB)	---	---	---	229-40913-01
40	Kit-Cleanout (not for use with ASME tanks)	415-54256-00	415-54256-00	415-54256-00	415-54256-00

* Applies to all warranties
Serial prior to AB ▲



Item	Description	Model	Model	Model	Model
		EF100T199(E)*(N,X)(A)(2)	EF100T250(E)*(N,X)(A)(2)	EF100T300(E)*(N,X)(A)(2)	EF100T399(E)*(N,X)(A)2
1	Combustion Surround Assembly	See Page 16	See Page 16	See Page 16	See Page 16
2	Combustion System Assembly	See Page 12	See Page 12	See Page 12	See Page 12
3	Collector Cover Second Pass	239-43454-00	239-43454-00	239-43454-00	239-43454-00
4	Screw-Second Pass Collector Cover	239-44444-00	239-44444-00	239-44444-00	239-44444-00
5	Elbow-Vent Terminal (2 req'd)	415-40579-00	415-40579-00	415-40579-00	415-40579-00
6	Temperature Sensor	415-46553-02	415-46553-02	415-46553-02	415-46553-02
7	Baffle 4" Flue (2 req'd)	243-43304-00	243-43304-00	243-43304-00	239-46099-00
8	Anode Rod (Magnesium) (4 req'd)#	415-55483-00	415-55483-00	415-55483-00	415-55483-00
	Anode Rod (A420 Aluminum) (4 req'd)#	415-55486-00	415-55486-00	415-55486-00	415-55486-00
9	Baffle 2" Flue (8 req'd)	239-45658-00	239-45658-00	239-45658-00	239-45658-00
10	Wire Harness-Service Panel	239-43358-01	239-43358-01	239-43358-01	239-43358-01
11	Nipple Hot Water Outlet Plasticsert (front connect)	229-40913-07	229-40913-07	229-40913-07	229-40913-07
12	Pipe Plug 1" NPT	239-02048-00	239-02048-00	239-02048-00	239-02048-00
13	Nipple Plasticsert 3/4" NPT x 2"	229-32762-02	---	---	---
	Nipple FE Plasticsert 1" NPT x 2"	229-40913-07	229-40913-07	229-40913-07	229-40913-07
14	T&P Relief Valve	415-30246-00	415-33630-04	415-33630-04	415-33630-04
15	Exhaust Pipe (PVC) with Hose Barb	239-45971-00	239-45971-00	239-45971-00	---
16	Condensate Elbow	415-43211-00	415-43211-00	415-43211-00	415-46227-00
17	Screw Service Panel	239-42637-00	239-42637-00	239-42637-00	---
18	Outer Door EF series (serial after ZM)	243-44668-00	243-44668-00	243-44668-00	---
19	Screw-Second Pass Collector Cover	239-44444-00	239-44444-00	239-44444-00	239-44444-00
20	Service Panel Bracket (serial prior to AA)	See Note	See Note	See Note	---
21	Exhaust Pressure Switch:	---	---	---	---
	Pressure Switch 1.15 WC ▲	265-45222-03	---	---	---
	Pressure Switch 1.15 WC ▲▲	415-44723-03	415-44723-05	415-44723-05	---
	Pressure Switch 1.15 WC ◆	415-46037-01	415-46037-01	415-46037-01	415-46037-01
22	Hole Closure	239-31547-02	239-31547-02	239-31547-02	239-31547-02

* Applies to all warranties

Anode may need to be cut to length; see end of this parts list for further information

Service panel bracket no longer available.

Replace with external pressure switch kit for

Serial prior to AA (external pressure switch kit)▲

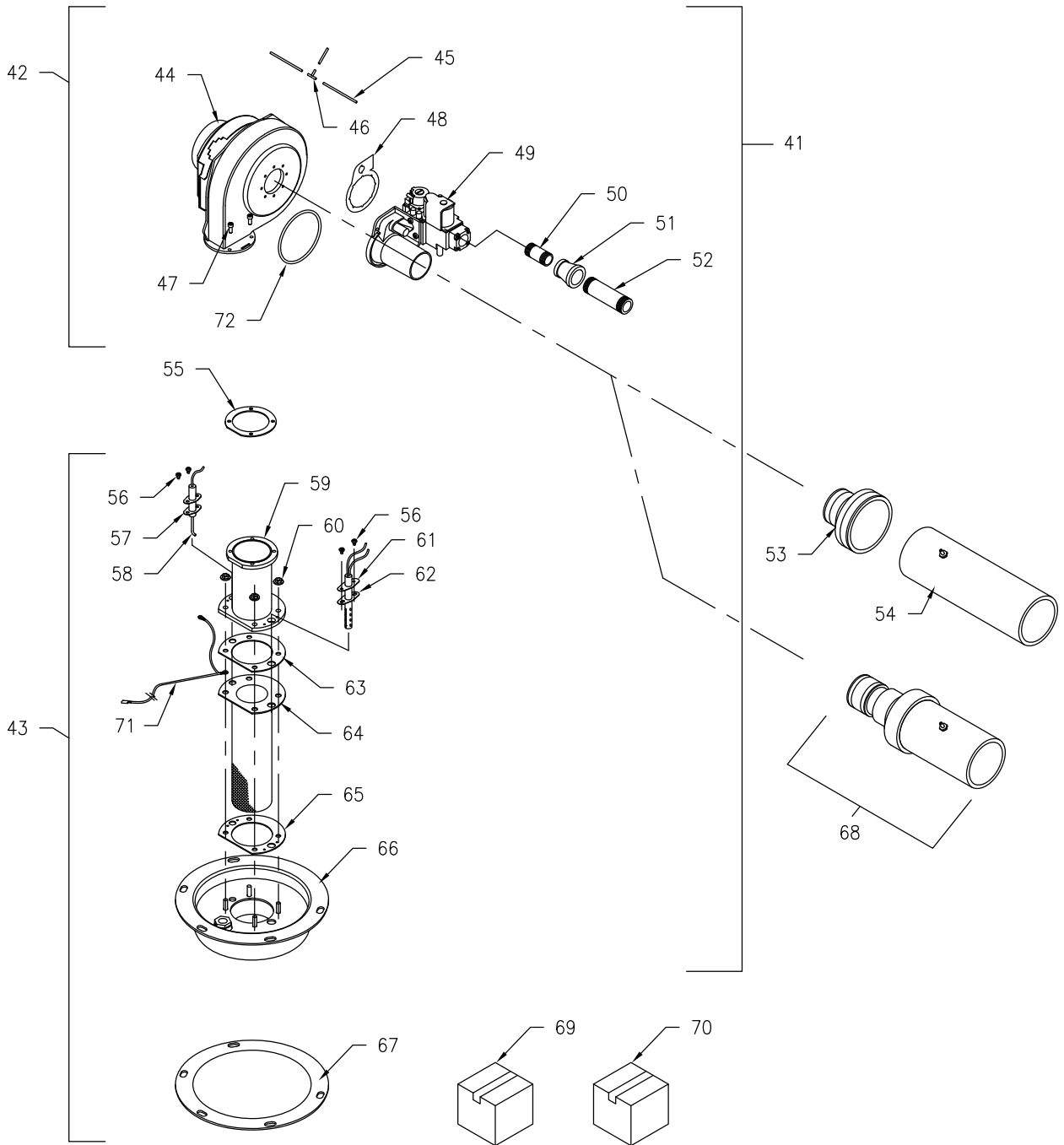
Serial AA thru CE7818522▲▲

Serial CE7818523 & after◆

Item	Description	Model	Model	Model	Model
		EF100T199(E)*(N,X)(A)2	EF100T250(E)*(N,X)(A)2	EF100T300(E)*(N,X)(A)2	EF100T399(E)*(N,X)(A)2
23	Keps Nut	239-81844-00	239-81844-00	239-81844-00	239-81844-00
24	Resettable Limit Switch	415-43238-02	415-43238-02	415-43238-02	415-43238-02
25	Screw 6-32 x 3/8	239-81843-00	239-81843-00	239-81843-00	239-81843-00
26	Cleanout Cover	205-18428-00	205-18428-00	205-18428-00	205-18428-00
27	Cleanout Cover (ASME)	205-32941-00	205-32941-00	205-32941-00	205-32941-00
28	Cleanout Gasket	205-18427-00	205-18427-00	205-18427-00	205-18427-00
29	Cleanout Gasket (ASME)	205-32942-00	205-32942-00	205-32942-00	205-32942-00
30	Screw 5/16 - 18 x 1/2	239-82166-00	239-82166-00	239-82166-00	239-82166-00
31	Screw 5/16 - 18 x 3/4 (ASME)	239-32970-00	239-32970-00	239-32970-00	239-32970-00
32	Clean Out Access Cover	243-20299-00	243-20299-00	243-20299-00	243-20299-00
33	Inlet tube Hydrojet (front connect)	415-44375-00	415-44375-00	415-44375-00	415-44375-00
34	Drain Valve Brass (no handle)	415-42351-02	415-42351-02	415-42351-02	415-42351-02
35	Coaxial Vent Terminal Horz./Vert. 3"	415-44069-01	415-44069-01	415-44069-01	415-44069-01
36	ASSE Approved Mixing Valve (Optional)	239-51778-00	239-51778-00	239-51778-00	239-51778-00
37	Silicone Tubing 3/16" I.D.	239-41718-00	239-41718-00	239-41718-00	---
38	Exhaust Escutcheon	239-43997-00	239-43997-00	239-43997-00	239-43997-00
39	Horizontal Inlet/Outlet Nipple (serial prior to AB)	229-40913-01	229-40913-01	229-40913-01	---
40	Kit-Cleanout (not for use with ASME tanks)	415-54256-00	415-54256-00	415-54256-00	415-54256-00

* Applies to all warranties

COMBUSTION SYSTEM ASSEMBLY

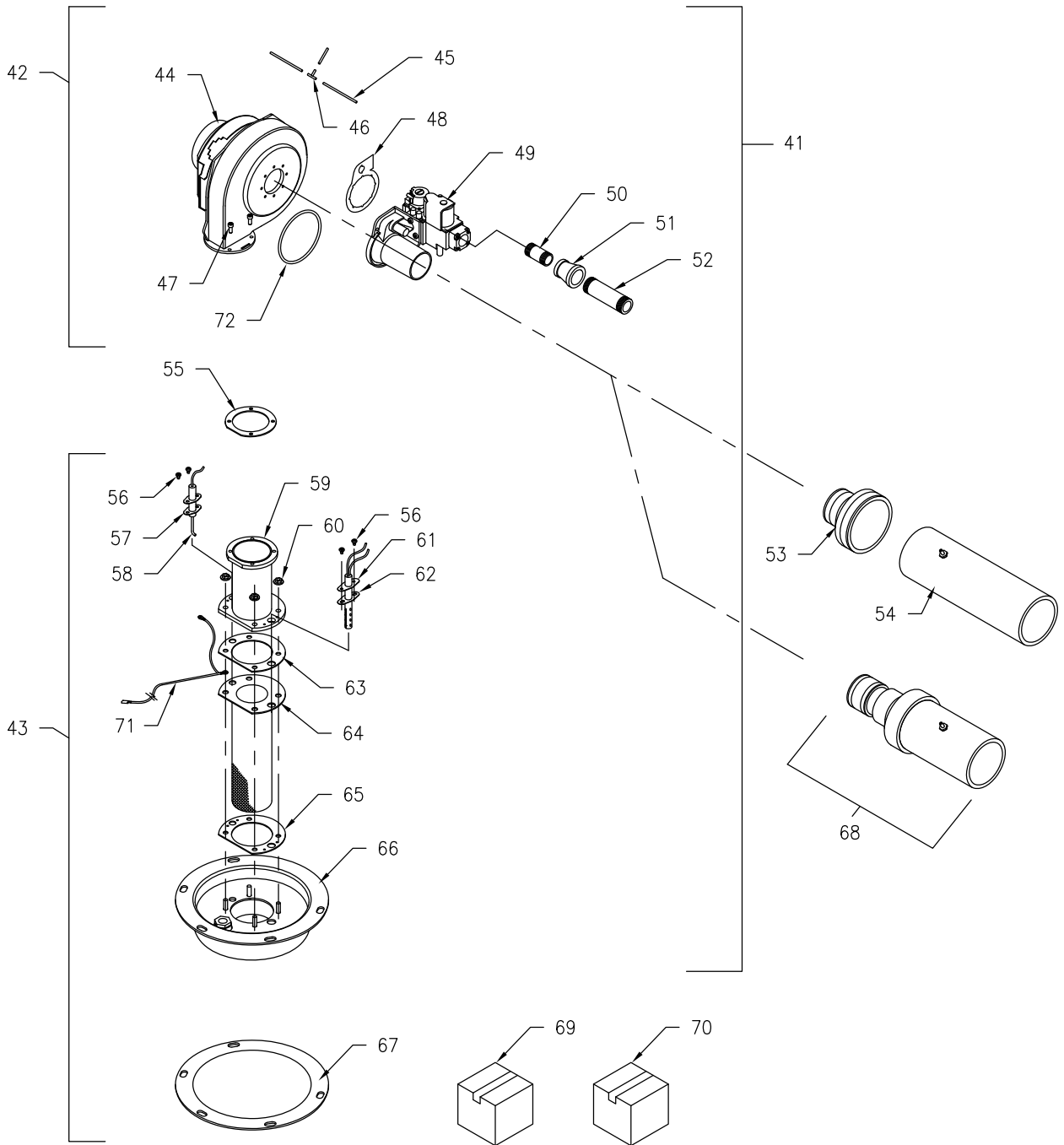


Item	Description	Model	Model	Model	Model
		EF60T125(E)*(N,X)(A)2	EF60T150(E)*(N,X)(A)2	EF60T199(E)*(N,X)(A)2	EF100T150(E)*(N,X)(A)(2)
41	Combustion System Assembly Complete (Natural):	265-46025-01	243-47153-01	265-46025-05	243-47153-01
	Combustion System Assembly Complete (LP):	265-46025-02	243-47153-02	265-46025-06	243-47153-02
42	Blower/Gas Valve Assembly (Natural):	243-46009-01	243-47152-01	243-46010-01	243-47152-01
	Blower/Gas Valve Assembly (LP):	243-46009-02	243-47152-02	243-46010-02	243-47152-02
43	Burner Assembly	265-46023-00	265-46023-00	265-46023-00	265-46023-00
44	Blower-FASCO (with Gasket)	415-51225-00	415-51225-00	415-54727-00	415-51225-00
45	Hose Tubing 3/16" I.D.	239-41718-00	239-41718-00	239-41718-00	239-41718-00
46	Tee Hose Connector	239-43446-00	239-43446-00	239-43446-00	239-43446-00
47	Screw 10-32 x 3/4 SHCS	239-43273-00	239-43273-00	239-43273-00	239-43273-00
48	Gasket Venturi to Blower	239-44654-00	239-44654-00	239-44654-00	239-44654-00
49	Gas Valve Assembly (Natural):	243-46007-01	243-47151-00	243-46007-02	243-47151-00
	Gas Valve Assembly (LP):	243-46008-01	243-47154-00	243-46008-02	243-47154-00
50	Nipple 1/2 NPT x 3"	239-37047-00	239-37047-00	239-37047-00	239-37047-00
51	Reducer 3/4 x 1/2 NPT	239-04474-00	239-04474-00	239-04474-00	239-04474-00
52	Nipple 3/4 NPT x 7"	239-43373-00	239-43373-00	239-43373-00	239-43373-00
53	2" x 3" Dia. Flex Reducer	239-40902-00	239-40902-00	239-40902-00	239-40902-00
54	Inlet Tube (PVC)	239-43364-01	239-43364-01	239-43364-01	239-43364-01
55	Gasket Blower Transition	239-43241-00	239-43241-00	239-43241-00	239-43241-00
56	Screw 8-32 x 1/4 RHCR	239-43272-00	239-43272-00	239-43272-00	239-43272-00
57	Gasket Flame Sensor	239-43371-00	239-43371-00	239-43371-00	239-43371-00
58	Flame Sensor W/Gasket	415-43232-00	415-43232-00	415-43232-00	415-43232-00
59	Weldment -Blower Transition	239-43201-00	239-43201-00	239-43201-00	239-43201-00
60	Nut 1/4-20 Hx/Washer serr.	239-43297-00	239-43297-00	239-43297-00	239-43297-00
61	Hot Surface Igniter with Gasket	415-45543-00	415-45543-00	415-45543-00	415-45543-00
62	Gasket-Hot Surface Igniter	239-43370-00	239-43370-00	239-43370-00	239-43370-00
63	Burner Mounting Gasket	239-43246-00	239-43246-00	239-43246-00	239-43246-00
64	Burner Tube with Gasket	415-53032-00	415-53032-00	415-53032-00	415-53032-00
65	Burner Mounting Gasket	239-43246-00	239-43246-00	239-43246-00	239-43246-00
66	Burner Mounting Insert	239-43167-00	239-43167-00	239-43167-00	239-43167-00
67	Gasket-Burner Mounting Insert**	239-43197-00	239-43197-00	239-43197-00	239-43197-00
68	Assembly Air Inlet Piping w/ Coupling 2" x 2"	---	---	---	---
69	Gas Regulator Kit (optional)	243-45517-00	243-45517-00	243-45517-00	243-45517-00
70	LP to Natural Gas Conversion Kit (optional)	265-46391-01	265-46391-02	265-46391-02	265-46391-02
71	Ground Wire	239-51994-00	239-51994-00	239-51994-00	239-51994-00

* Applies to all warranties

** Included in item 43

COMBUSTION SYSTEM ASSEMBLY



Item	Description	Model	Model	Model	Model
		EF100T199(E)*(N,X)(A)2	EF100T250(E)*(N,X)(A)2	EF100T300(E)*(N,X)(A)2	EF100T399(E)*(N,X)(A)2
41	Combustion System Assembly Complete (Natural):	265-46025-05	265-46025-07	265-46025-09	265-46156-01
	Combustion System Assembly Complete (LP):	265-46025-06	265-46025-08	265-46025-10	265-46156-02
42	Blower/Gas Valve Assembly (Natural):	243-46010-01	243-46010-03	243-46010-05	265-46153-01
	Blower/Gas Valve Assembly (LP):	243-46010-02	243-46010-04	243-46010-06	265-46153-02
43	Burner Assembly	265-46023-00	265-46024-00	265-46024-00	265-46024-00
44	Blower-FASCO (with Gasket)	415-54727-00	415-54727-00	415-54727-00	415-54727-00
	Blower-EBM	---	---	---	415-51310-00
45	Hose Tubing 3/16" I.D.	239-41718-00	239-41718-00	239-41718-00	239-41718-00
46	Tee Hose Connector	239-43446-00	239-43446-00	239-43446-00	---
47	Screw 10-32 x 3/4 SHCS	239-43273-00	239-43273-00	239-43273-00	239-43273-00
48	Gasket Venturi to Blower	239-44654-00	239-44654-00	239-44654-00	---
49	Gas Valve Assembly (Natural)	243-46007-02	243-46007-03	243-46007-04	243-46151-01
	Gas Valve Assembly (LP)	243-46008-02	243-46008-03	243-46008-04	243-46151-02
50	Nipple 1/2 NPT x 3"	239-37047-00	239-37047-00	239-37047-00	---
	Nipple 3/4 NPT x 3"	---	---	---	239-31811-00
51	Reducer 3/4 x 1/2 NPT	239-04474-00	239-04474-00	239-04474-00	239-04474-00
	Reducer 1 x 3/4 NPT	---	---	---	239-46144-00
52	Nipple 3/4 NPT x 7"	239-43373-00	239-43373-00	239-43373-00	---
	Nipple 1 NPT x 3 1/2"	---	---	---	239-81595-00
53	2" x 3" Dia. Flex Reducer	239-40902-00	239-40902-00	239-40902-00	---
54	Inlet Tube (PVC)	239-43364-01	239-43364-01	239-43364-01	---
55	Gasket Blower Transition	239-43241-00	239-43241-00	239-43241-00	239-43241-00
56	Screw 8-32 x 1/4 RHCR	239-43272-00	239-43272-00	239-43272-00	239-43272-00
57	Gasket Flame Sensor	239-43371-00	239-43371-00	239-43371-00	239-43371-00
58	Flame Sensor W/Gasket	415-43232-00	415-43232-00	415-43232-00	415-43232-00
59	Weldment -Blower Transition	239-43201-00	239-43201-00	239-43201-00	239-43201-00
60	Nut 1/4-20 Hx/Washer Serr	239-43297-00	239-43297-00	239-43297-00	239-43297-00
61	Hot Surface Igniter W/Gasket	415-45543-00	415-45543-00	415-45543-00	415-45543-00
62	Gasket-Hot Surface Igniter	239-43370-00	239-43370-00	239-43370-00	239-43370-00
63	Burner Mounting Gasket	239-43246-00	239-43246-00	239-43246-00	239-43246-00
64	Burner Tube with Gasket	415-53032-00	415-53033-00	415-53033-00	415-53033-00
65	Burner Mounting Gasket	239-43246-00	239-43246-00	239-43246-00	239-43246-00
66	Burner Mounting Insert	239-43167-00	239-43167-00	239-43167-00	239-43167-00
67	Gasket-burner Mounting Insert**	239-43197-00	239-43197-00	239-43197-00	239-43197-00
68	Assembly Air Inlet Piping w/Coupling 2"x2"	---	---	---	239-46147-00
69	Gas Regulator Kit (optional)	243-45517-00	243-45517-00	243-45517-00	---
70	LP to Natural Gas Conversion Kit (optional)	265-46391-02	265-46391-03	265-46391-04	265-46391-05
71	Ground Wire	239-51994-00	239-51994-00	239-51994-00	239-51994-00
72	O-ring Venturi to Blower	---	---	---	239-51397-00

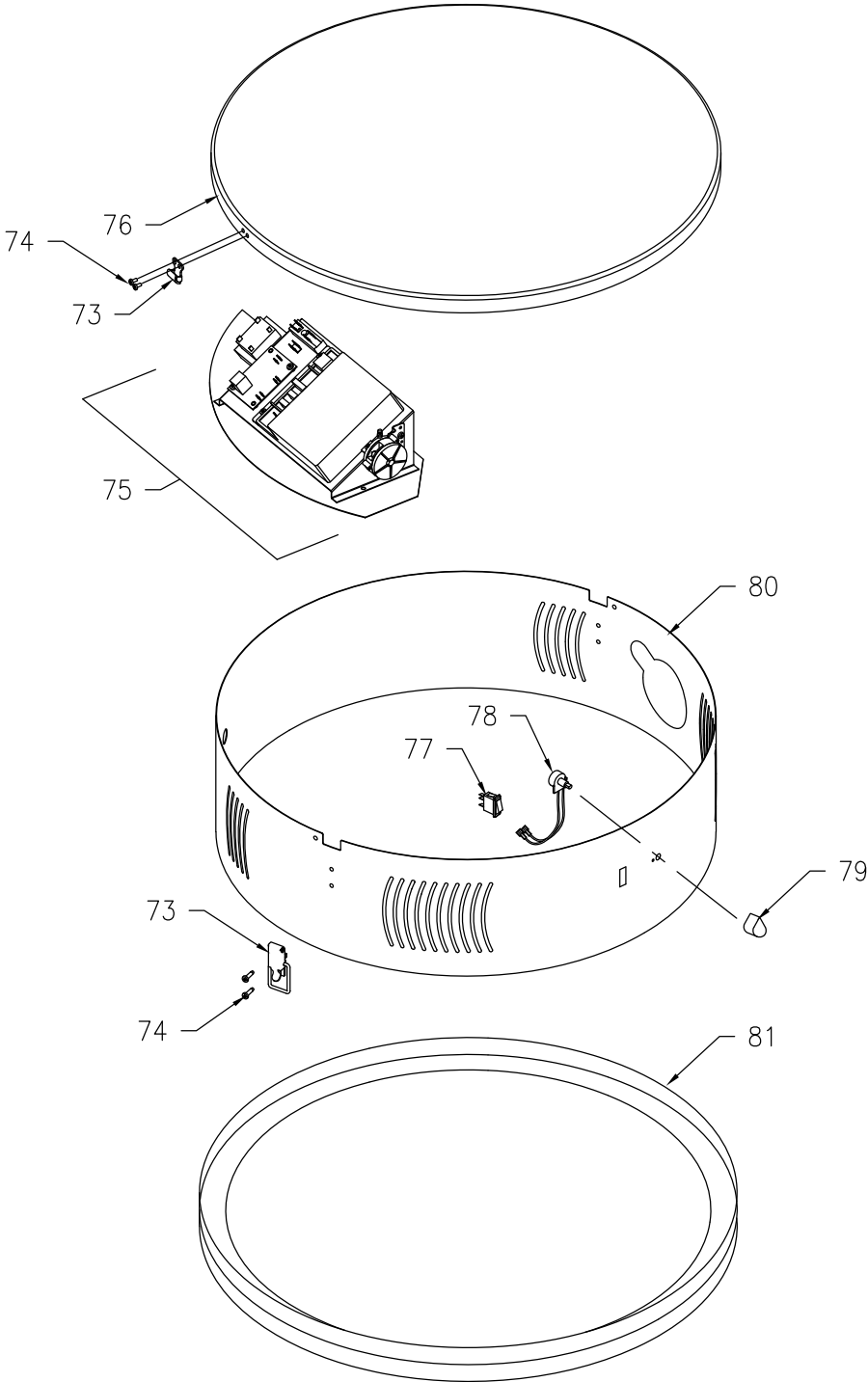
* Applies to all warranties

** Included in item 43

¹ For serial AH5039100 & after.

¹ For serial prior to AH5039100.

COMBUSTION SURROUND ASSEMBLY



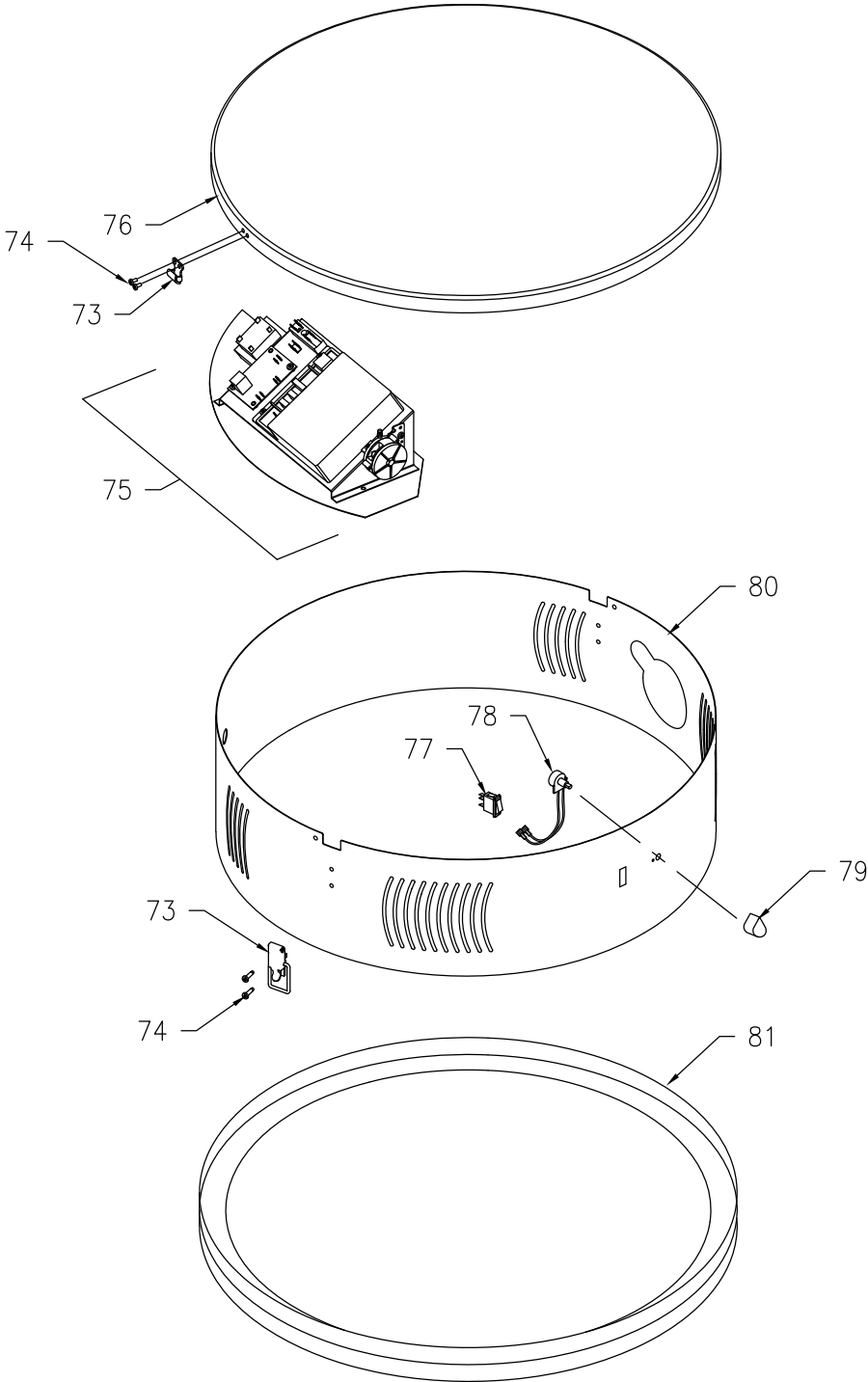
Item	Description	Model	Model	Model	Model
		EF60T125(E)*(N,X)(A)2	EF60T150(E)*(N,X)(A)2	EF60T199(E)*(N,X)(A)2	EF100T150(E)*(N,X)(A)(2)
73	Keeper Latch & Catch	239-43239-00	239-43239-00	239-43239-00	239-43239-00
74	Screw 8-32 x 1/2 RHCR	239-41715-00	239-41715-00	239-41715-00	239-41715-00
75	Ignition Control Assembly	See Page 10	See Page 10	See Page 10	See Page 20
76	Jacket Head	243-43240-02	243-43240-02	243-43240-02	243-43240-02
77	Main Power Switch	239-43234-00	239-43234-00	239-43234-00	239-43234-00
78	Temperature Control Potentiometer	415-82054-00	415-82054-00	415-82054-00	415-82054-00
79	Knob-Temperature Control	239-43235-00	239-43235-00	239-43235-00	239-43235-00
80	Combustion Surround ¹	239-46148-00	239-46148-00	239-46148-00	239-46148-00
81	Combustion Surround Base	239-51296-01	239-51296-01	239-51296-01	239-51296-01

* Applies to all warranties

Anode may need to be cut to length

¹ All 60 gal. Models, 100 gal models after serial AA

COMBUSTION SURROUND ASSEMBLY



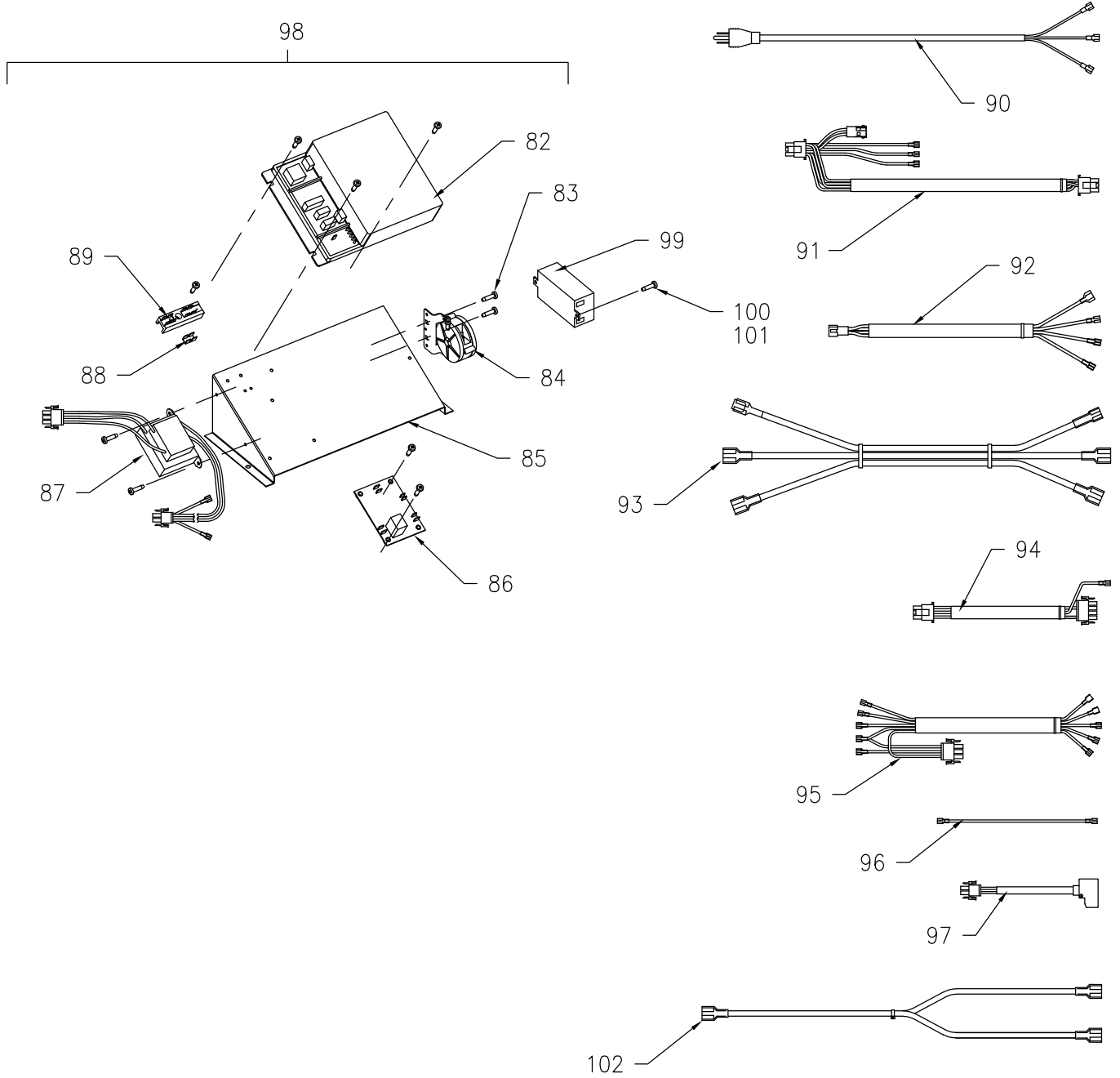
Item	Description	Model	Model	Model	Model
		EF100T199(E)*(N,X)(A)2	EF100T250(E)*(N,X)(A)2	EF100T300(E)*(N,X)(A)2	EF100T399(E)*(N,X)(A)2
73	Keeper Latch & Catch	239-43239-00	239-43239-00	239-43239-00	239-43239-00
74	Screw 8-32 x 1/2 RHCR	239-41715-00	239-41715-00	239-41715-00	239-41715-00
75	Ignition Control Assembly	See Page 20	See Page 20	See Page 20	See Page 20
76	Jacket Head	243-43240-02	243-43240-02	243-43240-02	243-43240-02
77	Main Power Switch	239-43234-00	239-43234-00	239-43234-00	239-43234-00
78	Temperature Control Potentiometer	415-82054-00	415-82054-00	415-82054-00	415-82054-00
79	Knob-Temperature Control	239-43235-00	239-43235-00	239-43235-00	239-43235-00
80	Combustion Surround ¹	239-46148-00	239-46148-00	239-46148-00	239-46148-00
81	Combustion Surround Base	239-51296-01	239-51296-01	239-51296-01	239-51296-01

* Applies to all warranties

Anode may need to be cut to length

¹ All 60 gal. Models, 100 gal models after serial AA

IGNITION CONTROL ASSEMBLY



Item	Description	Model	Model	Model	Model
		EF60T125(E)*(N,X)(A)2	EF60T150(E)*(N,X)(A)2	EF60T199(E)*(N,X)(A)2	EF100T150(E)*(N,X)(A)(2)
82	Electronic Control Module	415-46045-00	415-46045-00	415-46045-00	415-46045-00
83	Screw #8-32 x 1/2 (10 req'd)	239-41715-00	239-41715-00	239-41715-00	239-41715-00
84	Vacuum Switch-Intake	239-44724-01	239-44724-01	239-44724-01	239-44724-01
85	Control Mounting Panel	239-43268-00	239-43268-00	239-43268-00	239-43268-00
86	Thermostat Board	233-41346-00	233-41346-00	233-41346-00	233-41346-00
87	Transformer	415-43346-00	415-43346-00	415-43346-00	415-43346-00
88	Ground Terminal	239-80112-00	239-80112-00	239-80112-00	239-80112-00
89	Terminal Strip	239-80373-00	239-80373-00	239-80373-00	239-80373-00
90	Power Cord 96"	239-44466-00	239-44466-00	239-44466-00	239-44466-00
91	Wire Harness-Electronic Control Module:	---	---	---	---
	Harness-Controller ▲	239-43290-00	239-43290-00	239-43290-00	239-43290-00
	Harness-Controller ▲▲	Call Tech Support	Call Tech Support	Call Tech Support	Call Tech Support
92	Wire Harness-Thermostat & ECO	239-43291-00	239-43291-00	239-43291-00	239-43291-00
93	Harness Power Anode Control	---	---	---	---
94	Wire Harness-Blower	239-43292-00	239-43292-00	239-43292-00	239-43292-00
95	Wire Harness-Power Switch	239-43347-00	239-43347-00	239-43347-00	239-43347-00
96	Wire-Flame Sensor	239-38951-59	239-38951-59	239-38951-59	239-38951-59
97	Wire Harness-Gas Valve Rectifier	239-43571-00	239-43571-00	239-43571-00	239-43571-00
98	Ignition Control Assembly	243-43288-00	243-43288-00	243-43288-00	243-43288-00
99	Potentiostat for Power Anode	---	---	---	---
100	Screw #4-40 x 3/8 PHCR (2 req'd)	---	---	---	---
101	Nut #4-40 Hex Keps (2 req'd)(not shown)	---	---	---	---
102	Harness Power Anode	---	---	---	---

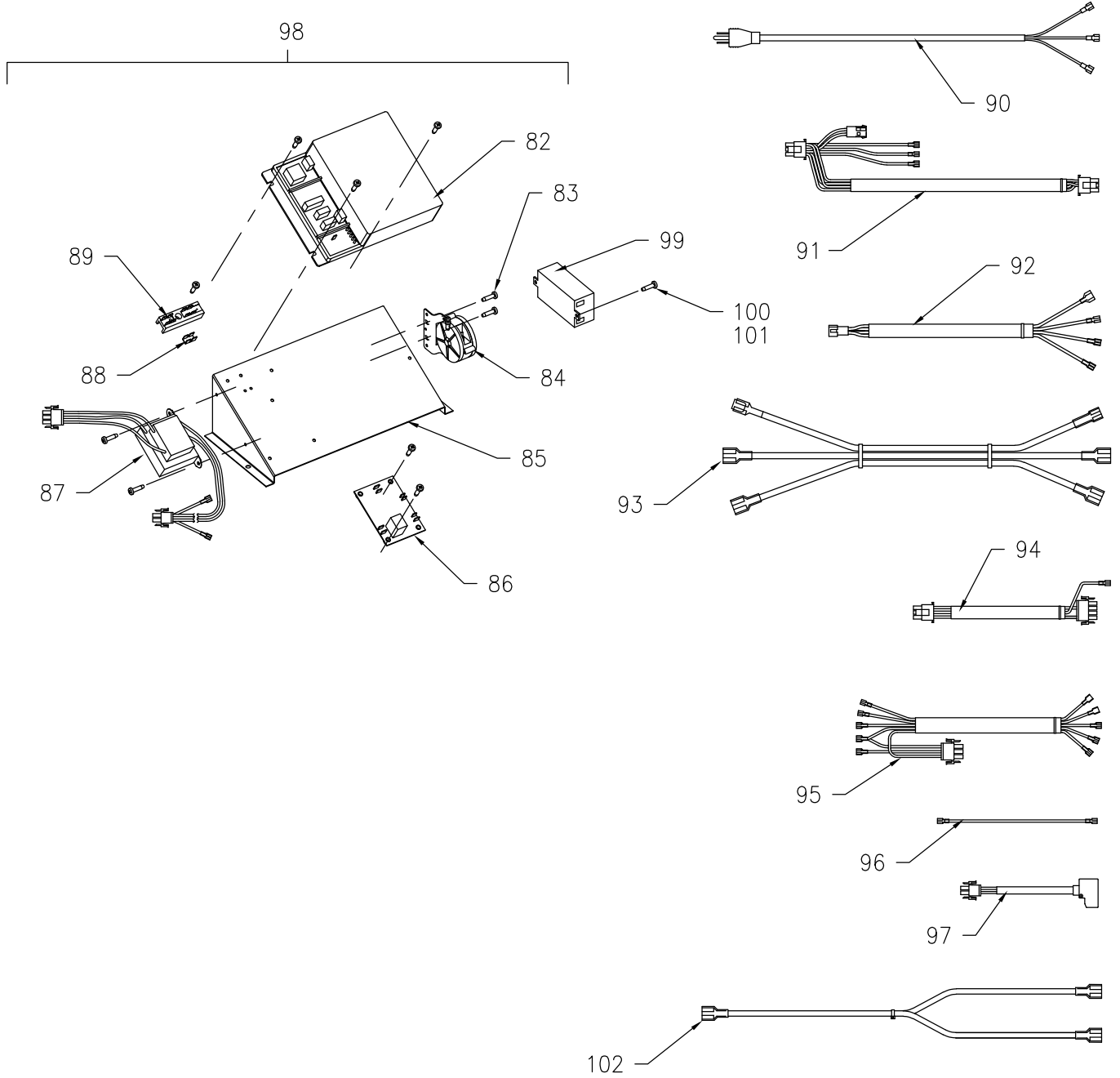
* Applies to all warranties.

¹ Models prior to serial CE7818523 only

Serial CE7818523 & after ▲

Serial Prior to CE7818523 ▲▲

IGNITION CONTROL ASSEMBLY



Item	Description	Model	Model	Model	Model
		EF100T199(E)*(N,X)(A)(2)	EF100T250(E)*(N,X)(A)(2)	EF100T300(E)*(N,X)(A)(2)	EF100T399(E)*(N,X)(A)2
82	Electronic Control Module	415-46045-00	233-46045-00	415-46045-00	415-46045-00
83	Screw #8-32 x 1/2 (10 req'd)	239-41715-00	239-41715-00	239-41715-00	---
84	Vacuum Switch-Intake	239-44724-01	239-44724-01	239-44724-01	239-44724-01
85	Control Mounting Panel	239-43268-00	239-43268-00	239-43268-00	239-43268-00
86	Thermostat Board	233-41346-00	233-41346-00	233-41346-00	233-41346-00
87	Transformer	415-43346-00	233-43346-00	415-43346-00	415-43346-00
88	Ground Terminal	239-80112-00	239-80112-00	239-80112-00	239-80112-00
89	Terminal Strip	239-80373-00	239-80373-00	239-80373-00	239-80373-00
90	Power Cord 96"	239-44466-00	239-44466-00	239-44466-00	239-44466-00
91	Wire Harness-Electronic Control Module:	---	---	---	---
	Harness-Controller ▲	239-43290-00	239-43290-00	239-43290-00	239-43290-00
	Harness-Controller ▲▲	Call Tech Support	Call Tech Support	Call Tech Support	Call Tech Support
92	Wire Harness-Thermostat & ECO	239-43291-00	239-43291-00	239-43291-00	239-43291-00
93	Harness Power Anode Control	---	---	---	239-46247-00
94	Wire Harness-Blower	239-43292-00	239-43292-00	239-43292-00	239-43292-00
95	Wire Harness-Power Switch	239-43347-00	239-43347-00	239-43347-00	239-43347-00
96	Wire-Flame Sensor	239-38951-59	239-38951-59	239-38951-59	239-38951-59
97	Wire Harness-Gas Valve Rectifier	239-43571-00	239-43571-00	239-43571-00	239-50266-00
98	Ignition Control Assembly	243-43288-00	243-43288-00	243-43288-00	243-46249-00
99	Potentiostat for Power Anode	---	---	---	239-46229-00
100	Screw #4-40 x 3/8 PHCR (2 req'd)	---	---	---	239-46061-00
101	Nut #4-40 Hex Keps (2 req'd)(not shown)	---	---	---	239-22263-00
102	Harness Power Anode	---	---	---	239-46070-00

* Applies to all warranties.

¹ Models prior to serial CE7818523 only

Serial CE7818523 & after ▲

Serial Prior to CE7818523 ▲▲



United States

Sales 1-800-523-2931
Technical Support 1-800-334-3393
Email techsupport@bradfordwhite.com
Warranty 1-800-531-2111
Email warranty@bradfordwhite.com
Service Parts 1-800-538-2020
Email parts@bradfordwhite.com

Canada

Sales 1-866-690-0961 1-905-203-0600
Fax 905-636-0666
Warranty 1-800-531-2111
Email warranty@bradfordwhite.com
Technical Support 1-800-334-3393
Email techsupport@bradfordwhite.com
Service Parts and Orders ca.orders@bradfordwhite.com

For U.S. and Canada field service, contact your professional installer or local Bradford White sales representative.

International

General Contact international@bradfordwhite.com