



RESIDENTIAL GAS REPLACEMENT PARTS LIST



Models Covered:

Through-The-Wall TTW1
Energy Saver (MI) Models
Dash Twelve, Thirteen, Fifteen
(-12, -13, -15)

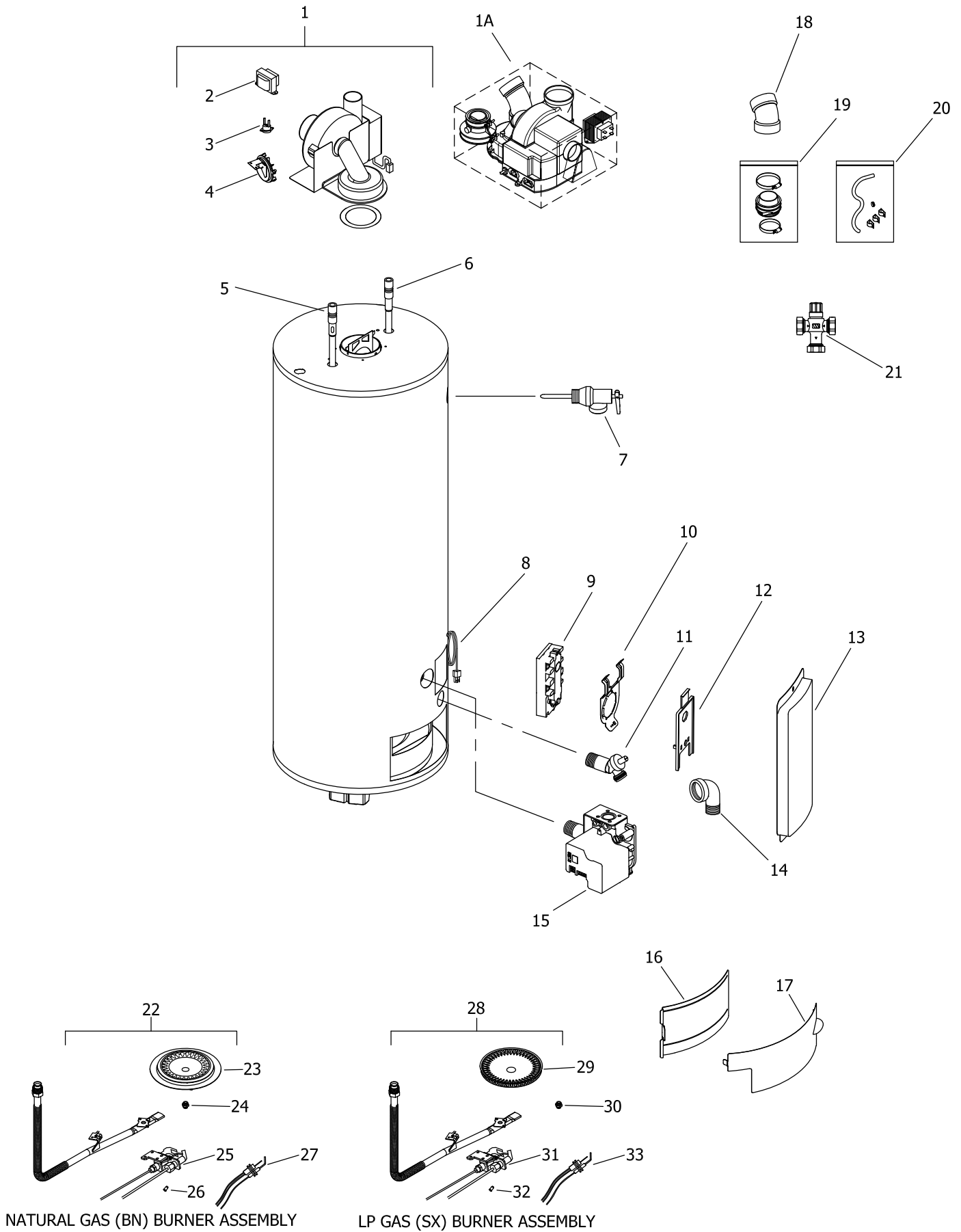
Effective: October, 2024
ECO 8780

**NOTE: BOTH MODEL AND SERIAL
NUMBERS ARE REQUIRED FOR
ORDERING REPLACEMENT PARTS**

Dimensions and specifications
subject to change without notice.



As required by the state of California Proposition 65.



LP GAS (SX) BURNER ASSEMBLY TO REPLACE LP GAS (CX) BURNER ASSEMBLY
ON ALL MODELS EXCEPT 75 & 100 GAL. MODELS

Item	Description	Model	Model
		MITW40L*(BN,EN,CX) (-12,-13,-15)	MITW50L*(BN,EN,CX) (-12,-13,-15)
1	Blower	415-41605-00	415-41605-00
1A	Universal SVC Blower Kit	415-47200-00	415-47200-00
2	Transformer	415-41863-00	415-41863-00
3	Temperature Switch	415-41831-00	415-41831-00
4	Pressure Switch	415-45460-00	415-45460-00
5	Hot Water Outlet Aluminum	415-55484-00	415-55484-00
	Hot Water Outlet A420 Aluminum	415-55486-00	415-55486-00
6	Cold Water Inlet Dip Tube Polypropylene	415-51230-17	415-51230-17
7	T&P Relief Valve	415-32920-01	415-32920-01
8	Power Cord	239-39772-00	239-39772-00
9	Thermostat	415-42034-00	415-42034-00
10	Thermostat Bracket	239-44478-00	239-44478-00
11	Brass Drain Valve	415-42351-02	415-42351-02
12	Thermostat Protector	223-40399-00	223-40399-00
13	Hand Hole Cover	243-36618-02	243-36618-02
14	Street Elbow	239-40779-00	239-40779-00
15	Gas Valve Natural Gas	415-40762-01	415-40762-01
	Gas Valve LP Gas	415-40762-02	415-40762-02
16	Inner Door Complete (Sliding)	243-36739-02	243-36739-02
17	Outer Door	243-41061-00	243-41061-00
18	Vent Terminal Elbow	239-39831-00	239-39831-00
19	2" Exhaust Adaptor Kit	239-45216-00	239-45216-00
20	Condensate Hose Kit (Optional)	415-43869-00	415-43869-00
21	ASSE Approved Mixing Valve (Optional)	239-51778-00	239-51778-00
	Natural Gas (BN) Burner Assembly	(Replacement for Natural Gas (EN) Burner)	
22	Nat. Gas (BN) Burner Assembly Complete**	265-47439-12-32	265-47439-12-32
23	Nat. Gas (BN) Burner	228-42506-00	228-42506-00
24	Nat. Gas (BN) Main Burner Orifice	234-41034-32	234-41034-32
	Nat. Gas (BN) High Altitude 2001 Ft. to 5000 Ft.	234-41034-36	234-41034-36
	Nat. Gas (BN) High Altitude 5001 Ft. to 8000 Ft.	234-41034-38	234-41034-38
	Nat. Gas (BN) High Altitude Over 8000 Ft.	234-41034-38	234-41034-38
25	Nat. Gas Pilot Assembly	233-40876-02	233-40876-02
26	Nat. Gas Pilot Orifice	234-45869-01	234-45869-01
27	Nat. Gas Igniter/Flame Sensor	415-40918-00	415-40918-00
	LP Gas (SX) Titanium Stabilized Stainless Steel Burner Assembly	(Replacement for LP Gas (CX) Cast Iron Burner)	
28	LP Gas (SX) Burner Assembly Complete**	265-47440-22-50	265-47440-22-50
29	LP Gas (SX) Burner	228-46964-00	228-46964-00
30	LP Gas (SX) Main Burner Orifice	234-47064-50	234-47064-50
	LP Gas (SX) High Altitude 2001 Ft. to 5000 Ft.	234-47064-51	234-47064-51
	LP Gas (SX) High Altitude 5001 Ft. to 8000 Ft.	234-47064-52	234-47064-52
	LP Gas (SX) High Altitude Over 8000 Ft.	234-47064-53	234-47064-53
31	LP Gas Pilot Assembly	233-40877-02	233-40877-02
32	LP Gas Pilot Orifice	234-45869-02	234-45869-02
33	LP Gas Igniter/Flame Sensor	415-40918-00	415-40918-00

*Applies to all warranties

**Ordering a complete burner assembly may increase delivery time. Please order the specific component required for the quickest delivery.



United States

Sales 1-800-523-2931
Technical Support 1-800-334-3393
Email techsupport@bradfordwhite.com
Warranty 1-800-531-2111
Email warranty@bradfordwhite.com
Service Parts 1-800-538-2020
Email parts@bradfordwhite.com

Canada

Sales 1-866-690-0961 1-905-203-0600
Fax 905-636-0666
Warranty 1-800-531-2111
Email warranty@bradfordwhite.com
Technical Support 1-800-334-3393
Email techsupport@bradfordwhite.com
Service Parts and Orders ca.orders@bradfordwhite.com

For U.S. and Canada field service, contact your professional installer or local Bradford White sales representative.

International

General Contact international@bradfordwhite.com