



RESIDENTIAL GAS REPLACEMENT PARTS LIST

Energy Saver (M-I) Models



Models Covered:

- MI30(T,S)*(EN,BN,LN,CX)
- MI303T*(EN,BN,LN,CX)
- MI40T*(EN,BN,LN,CX)
- MI403S*(EN,BN,LN,CX)
- MI404T*(EN,BN,LN,CX)
- MI503*(EN,BN,LN,CX)
- MI50L*(EN,BN,LN,CX)
- MI504S*(EN,BN,LN,CX)

*Denotes warranty year

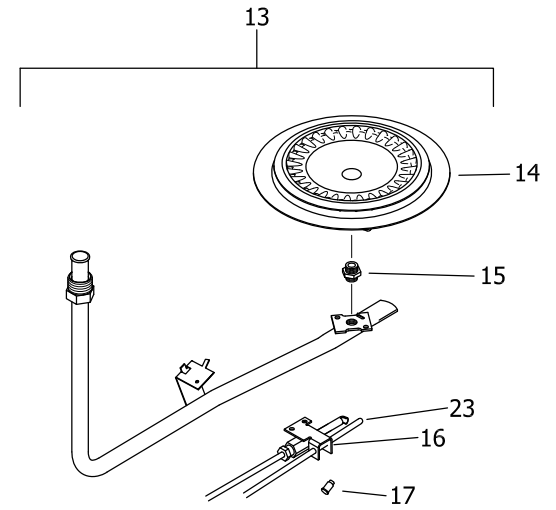
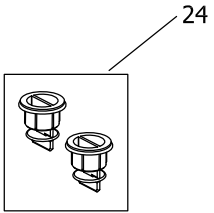
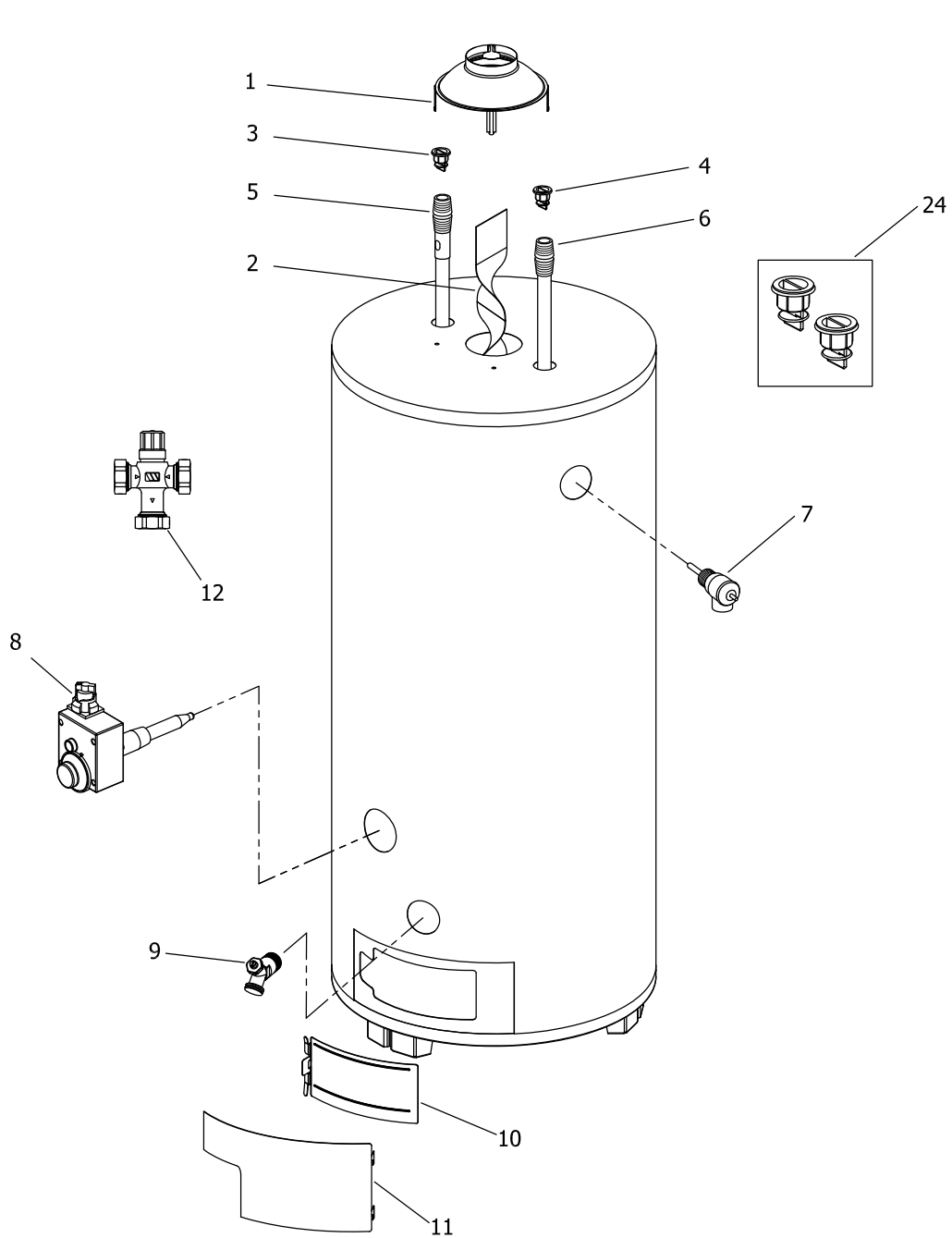
Effective: October, 2024
ECO 8780

**NOTE: BOTH MODEL AND SERIAL
NUMBERS ARE REQUIRED FOR
ORDERING REPLACEMENT PARTS**

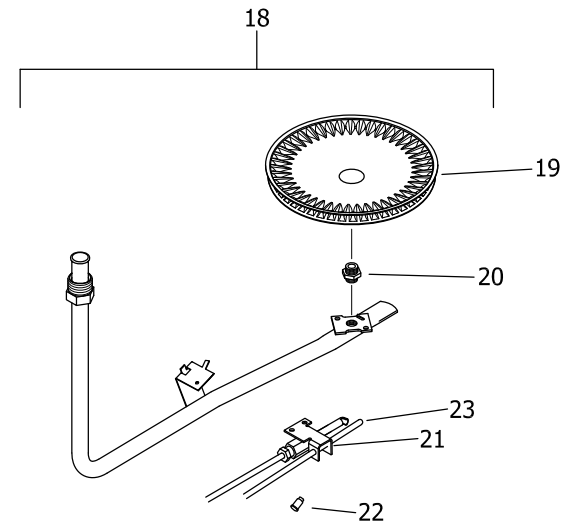
Dimensions and specifications
subject to change without notice.



As required by the state of California Proposition 65.



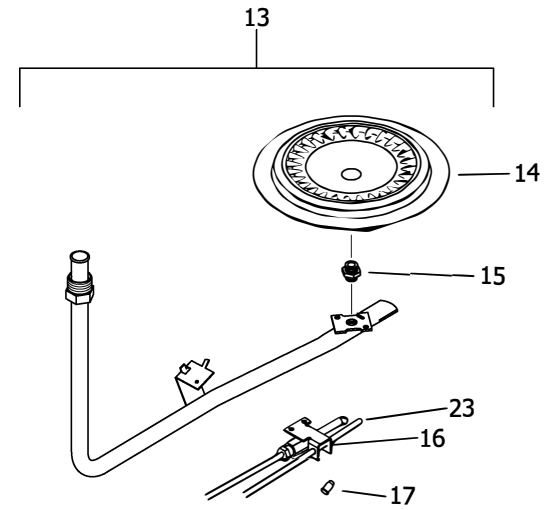
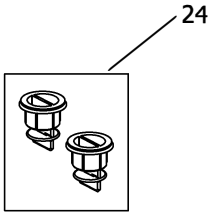
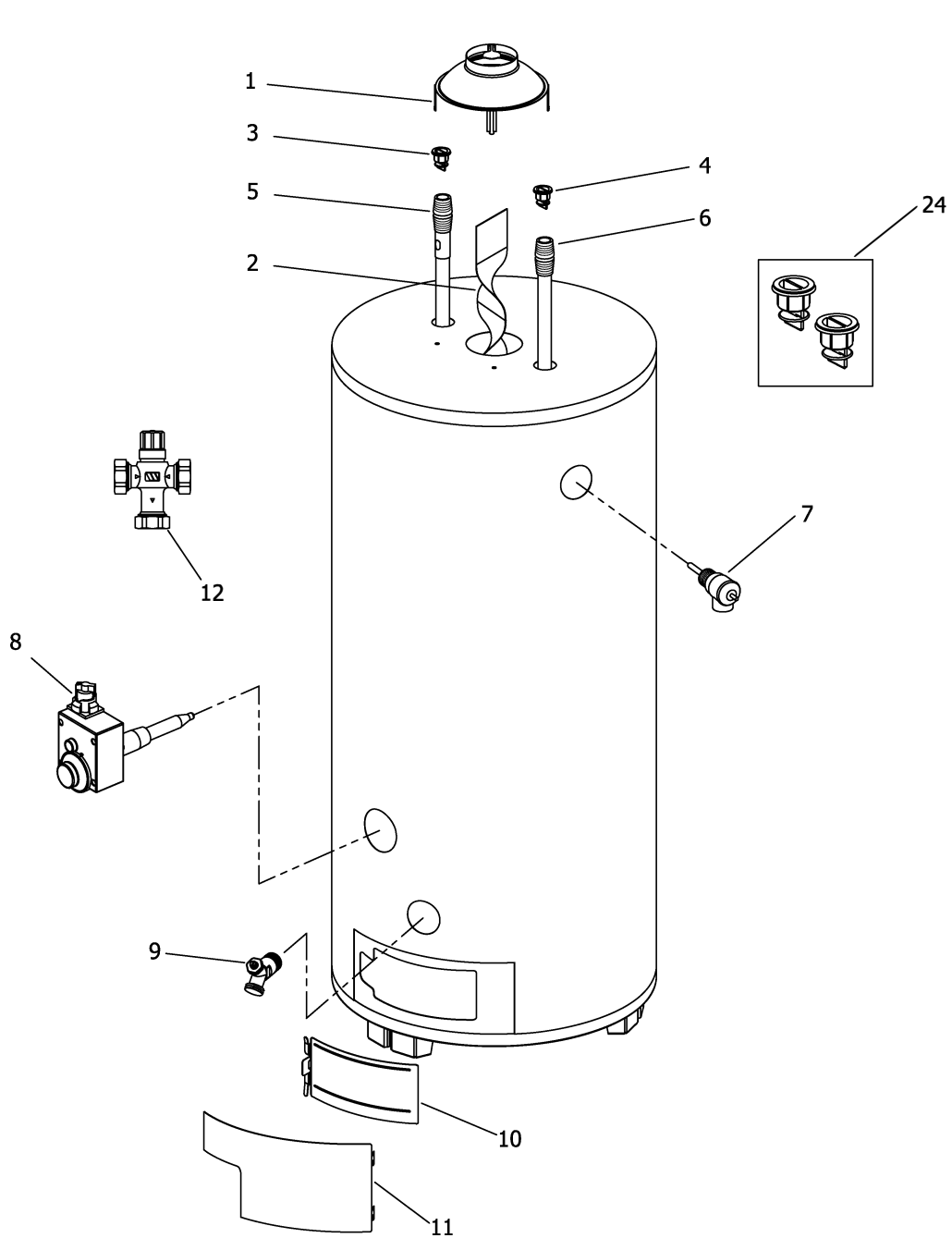
NATURAL GAS (BN) BURNER ASSEMBLY



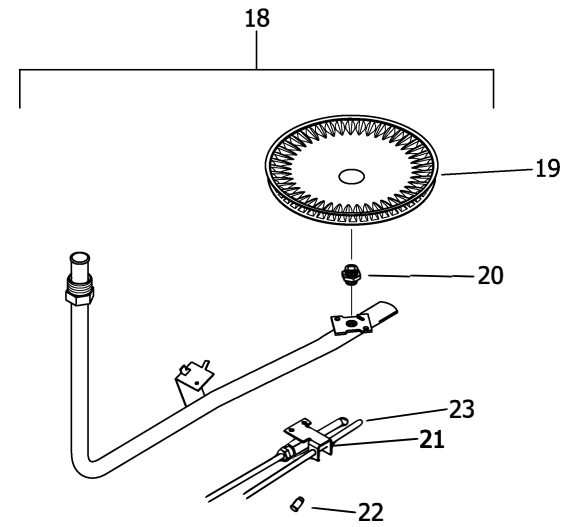
LP GAS (SX) BURNER ASSEMBLY

LP GAS (SX) BURNER ASSEMBLY TO REPLACE LP GAS (CX) BURNER ASSEMBLY
ON ALL MODELS EXCEPT 75 & 100 GAL. MODELS

Item	Description	Model	Model	Model
		MI30T*(EN,BN,LN,CX)(10,11)	MI30S*(EN,BN,LN,CX)(10,11)	MI303T*(EN,BN,LN,CX)(10,11)
1	Draft Diverter	239-45787-00	239-45787-00	239-45787-00
2	Flue Baffle	243-44639-00	243-45226-00	243-45224-00
3	Heat Trap Insert (Outlet)	239-45167-00	239-45167-00	239-45167-00
4	Heat Trap Insert (Inlet)	239-45073-00	239-45073-00	239-45073-00
5	Hot Water Outlet Anode Magnesium ▲#	415-47776-16	415-47776-15	415-47776-05
	Hot Water Outlet Anode Aluminum ▲#	415-32999-24	415-32999-38	415-55484-00
	Hot Water Outlet Anode A420 Aluminum ▲#	415-55486-00	415-55486-00	415-55486-00
6	Cold Water Inlet Diptube Polypropylene ▲▲	229-39628-07	415-51230-05	229-39628-07
	Cold Water Inlet Diptube Polysulfone (NC Code) ▲▲	415-51230-06	415-51230-05	415-51230-06
7	T&P Relief Valve	415-32920-01	415-32920-01	415-32920-01
8	Gas Valve Natural Gas	265-46181-01	265-46181-01	265-46181-01
	Gas Valve LP Gas	265-46182-01	265-46182-01	265-46182-01
9	Brass Drain Valve	415-42351-02	415-42351-02	415-42351-02
10	Inner Door Complete (Sliding)	243-36739-02	243-36739-02	243-36739-02
11	Outer Door	243-41061-00	243-41061-00	243-41061-00
12	ASSE Approved Mixing Valve (Optional)	239-51778-00	239-51778-00	239-51778-00
	Natural Gas (BN) Burner Assembly			
13	Nat. Gas Burner Assembly Complete**	265-47439-01-36	265-47439-03-38	265-47439-01-32
14	Nat. Gas (BN) Burner	228-42506-00	228-42506-00	228-42506-00
15	Nat. Gas (BN) Main Burner Orifice (0ft to 2000ft)	234-41034-36	234-41034-38	234-41034-32
	Nat. Gas (BN) High Altitude (2001ft to 5000ft)	234-41034-39	234-41034-41	234-41034-36
	Nat. Gas (BN) High Altitude (5001ft to 8000ft)	234-41034-41	234-41034-43	234-41034-38
	Nat. Gas (BN) High Altitude (8001ft & above)	234-41034-43	234-41034-43	234-41034-38
16	Nat. Gas Pilot Assembly	233-40248-05	233-40248-05	233-40248-05
17	Nat. Gas Pilot Orifice	234-33098-01	234-33098-01	234-33098-01
	LP Gas (SX) Titanium Stabilized Stainless Steel Burner Assembly			
18	LP Gas Burner Assembly Complete**	265-47440-01-60	265-47440-03-54	265-47440-01-52
19	LP Gas (SX) Burner	228-46964-00	228-46964-00	228-46964-00
20	LP Gas (SX) Main Burner Orifice (0ft to 2000ft)	234-47064-60	234-47064-54	234-47064-52
	LP Gas (SX) High Altitude (2001ft to 5000ft)	234-47064-54	234-47064-54	234-47064-53
	LP Gas (SX) High Altitude (5001ft to 8000ft)	234-47064-54	234-47064-54	234-47064-54
	LP Gas (SX) High Altitude (8001ft & above)	234-47064-54	234-47064-54	234-47064-54
21	LP Gas Pilot Assembly	233-40261-03	233-40261-03	233-40261-03
22	LP Gas Pilot Orifice	234-46502-01	234-46502-01	234-46502-01
23	Thermocouple	233-46501-24	233-46501-24	233-46501-24
24	Kit-Heat Trap Insert	265-45420-00	265-45420-00	265-45420-00
	Kit-LP to NAT conversion (0ft to 2000ft)	265-53745-01	265-53745-02	265-53745-03
	Kit-LP to NAT conversion (2000ft to 5000ft)	265-53745-13	265-53745-14	265-53745-15



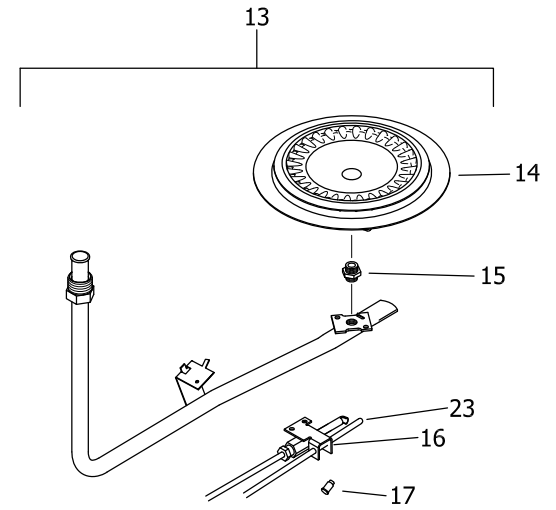
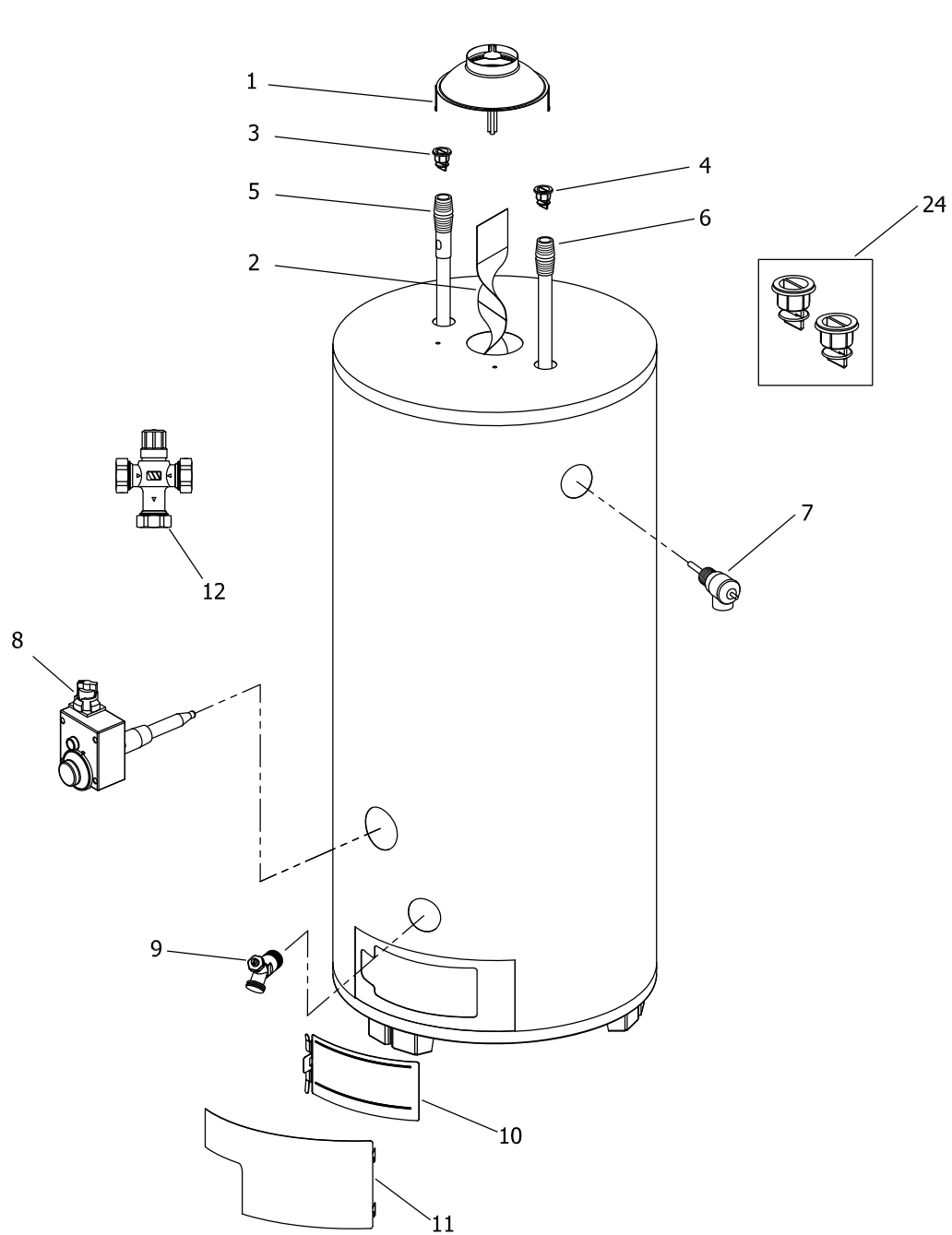
NATURAL GAS (BN) BURNER ASSEMBLY



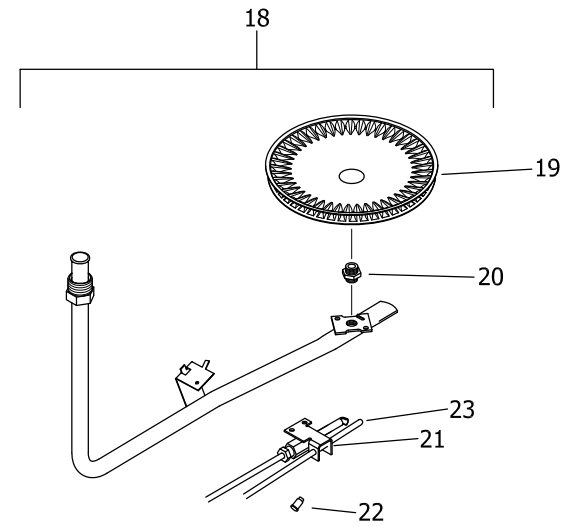
LP GAS (SX) BURNER ASSEMBLY

LP GAS (SX) BURNER ASSEMBLY TO REPLACE LP GAS (CX) BURNER ASSEMBLY
ON ALL MODELS EXCEPT 75 & 100 GAL. MODELS

Item	Description	Model	Model	Model
		MI40T*(EN,BN,LN,CX)(12,13)	MI403S*(EN,BN,LN,CX)(12,13)	MI404T*(EN,BN,LN,CX)(12,13)
1	Draft Diverter	239-45787-00	239-45787-00	243-33081-02-20
2	Flue Baffle	243-42283-00	243-45223-00	243-45225-00
3	Heat Trap Insert (Outlet)	239-45167-00	239-45167-00	239-45167-00
4	Heat Trap Insert (Inlet)	239-45073-00	239-45073-00	239-45073-00
5	Hot Water Outlet Anode Magnesium ▲#	415-47776-17	415-47776-05	415-47776-06
	Hot Water Outlet Anode Aluminum ▲#	415-32999-24	415-55484-00	415-55484-00
	Hot Water Outlet Anode A420 Aluminum ▲#	415-55486-00	415-55486-00	415-55486-00
6	Cold Water Inlet Diptube Polypropylene ▲▲	229-51230-08	229-51230-03	229-51230-06
	Cold Water Inlet Diptube Polysulfone (NC Code) ▲▲	229-51230-08	229-51230-03	229-51230-06
7	T&P Relief Valve	415-32920-01	415-32920-01	415-32920-01
8	Gas Valve Natural Gas	265-46181-01	265-46181-01	265-46181-01
	Gas Valve LP Gas	265-46182-01	265-46182-01	265-46182-01
9	Brass Drain Valve	415-42351-02	415-42351-02	415-42351-02
10	Inner Door Complete (Sliding)	243-36739-02	243-36739-02	243-36739-02
11	Outer Door	243-41061-00	243-41061-00	243-41061-00
12	ASSE Approved Mixing Valve (Optional)	239-51778-00	239-51778-00	239-51778-00
	Natural Gas (BN) Burner Assembly			
13	Nat. Gas Burner Assembly Complete**	265-47439-03-32	265-47439-05-32	265-47439-03-30
14	Nat. Gas (BN) Burner	228-42506-00	228-42506-00	228-42506-00
15	Nat. Gas (BN) Main Burner Orifice (0ft to 2000ft)	234-41034-32	234-41034-32	234-41034-30
	Nat. Gas (BN) High Altitude (2001ft to 5000ft)	234-41034-36	234-41034-36	234-41034-31
	Nat. Gas (BN) High Altitude (5001ft to 8000ft)	234-41034-38	234-41034-38	234-41034-32
	Nat. Gas (BN) High Altitude (8001ft & above)	234-41034-38	234-41034-38	234-41034-33
16	Nat. Gas Pilot Assembly	233-40248-05	233-40248-05	233-40248-05
17	Nat. Gas Pilot Orifice	234-33098-01	234-33098-01	234-33098-01
	LP Gas (SX) Titanium Stabilized Stainless Steel Burner Assembly			
18	LP Gas Burner Assembly Complete**	265-47440-03-52	265-47440-07-50	265-47440-04-47
19	LP Gas (SX) Burner	228-46964-00	228-46964-00	228-47000-00
20	LP Gas (SX) Main Burner Orifice (0ft to 2000ft)	234-47064-52	234-47064-50	234-47064-47
	LP Gas (SX) High Altitude (2001ft to 5000ft)	234-47064-53	234-47064-51	234-47064-49
	LP Gas (SX) High Altitude (5001ft to 8000ft)	234-47064-54	234-47064-52	234-47064-50
	LP Gas (SX) High Altitude (8001ft & above)	234-47064-54	234-47064-53	234-47064-51
21	LP Gas Pilot Assembly	233-40261-03	233-40261-03	233-40261-03
22	LP Gas Pilot Orifice	234-46502-01	234-46502-01	234-46502-01
23	Thermocouple	233-46501-24	233-46501-24	233-46501-24
24	Kit-Heat Trap Insert	265-45420-00	265-45420-00	265-45420-00
	Kit-LP to NAT conversion (0ft to 2000ft)	265-53745-04	265-53745-05	265-53745-06
	Kit-LP to NAT conversion (2000ft to 5000ft)	265-53745-16	265-53745-17	265-53745-18



NATURAL GAS (BN) BURNER ASSEMBLY



LP GAS (SX) BURNER ASSEMBLY

LP GAS (SX) BURNER ASSEMBLY TO REPLACE LP GAS (CX) BURNER ASSEMBLY
ON ALL MODELS EXCEPT 75 & 100 GAL. MODELS

Item	Description	Model	Model	Model
		MI503*(EN,BN,LN,CX)(10,11)	MI50L*(EN,BN,LN,CX)(10,11)	MI504S*(EN,BN,LN,CX)(10,11)
1	Draft Diverter	239-45787-00	239-45787-00	239-12950-00
2	Flue Baffle	243-44705-00	243-45223-00	243-45225-00
3	Heat Trap Insert (Outlet)	239-45167-00	239-45167-00	239-45167-00
4	Heat Trap Insert (Inlet)	239-45073-00	239-45073-00	239-45073-00
5	Hot Water Outlet Anode Magnesium ▲#	415-55482-00	415-47776-05	415-55482-00
	Hot Water Outlet Anode Aluminum ▲#	415-55484-00	415-55484-00	415-55484-00
	Hot Water Outlet Anode A420 Aluminum ▲#	415-55486-00	415-55486-00	415-55486-00
6	Cold Water Inlet Diptube Polypropylene ▲▲	415-51230-06	415-51230-05	415-51230-06
	Cold Water Inlet Diptube Polysulfone (NC Code) ▲▲	415-51230-06	415-51230-05	415-51230-06
7	T&P Relief Valve	415-32920-01	415-32920-01	415-32920-01
8	Gas Valve Natural Gas	265-46181-01	265-46181-01	265-46181-01
	Gas Valve LP Gas	265-46182-01	265-46182-01	265-46182-01
9	Brass Drain Valve	415-42351-02	415-42351-02	415-42351-02
10	Inner Door Complete (Sliding)	243-36739-02	243-36739-02	243-36739-02
11	Outer Door	243-41061-00	243-41061-00	243-41061-00
12	ASSE Approved Mixing Valve (Optional)	239-51778-00	239-51778-00	239-51778-00
Natural Gas (BN) Burner Assembly				
13	Nat. Gas Burner Assembly Complete**	265-47439-05-32	265-47439-08-32	265-47439-05-30
14	Nat. Gas (BN) Burner	228-42506-00	228-42506-00	228-42506-00
15	Nat. Gas (BN) Main Burner Orifice (0ft to 2000ft)	234-41034-32	234-41034-32	234-41034-30
	Nat. Gas (BN) High Altitude (2001ft to 5000ft)	234-41034-36	234-41034-36	234-41034-31
	Nat. Gas (BN) High Altitude (5001ft to 8000ft)	234-41034-38	234-41034-38	234-41034-32
	Nat. Gas (BN) High Altitude (8001ft & above)	234-41034-38	234-41034-38	234-41034-33
16	Nat. Gas Pilot Assembly	233-40248-05	233-40248-05	233-40248-05
17	Nat. Gas Pilot Orifice	234-33098-01	234-33098-01	234-33098-01
LP Gas (SX) Titanium Stabilized Stainless Steel Burner Assembly				
18	LP Gas Burner Assembly Complete**	265-47440-07-51	265-47440-13-50	265-47440-08-47
19	LP Gas (SX) Burner	228-46964-00	228-46964-00	228-47000-00
20	LP Gas (SX) Main Burner Orifice (0ft to 2000ft)	234-47064-51	234-47064-50	234-47064-47
	LP Gas (SX) High Altitude (2001ft to 5000ft)	234-47064-53	234-47064-51	234-47064-49
	LP Gas (SX) High Altitude (5001ft to 8000ft)	234-47064-53	234-47064-52	234-47064-50
	LP Gas (SX) High Altitude (8001ft & above)	234-47064-54	234-47064-53	234-47064-51
21	LP Gas Pilot Assembly	233-40261-03	233-40261-03	233-40261-03
22	LP Gas Pilot Orifice	234-46502-01	234-46502-01	234-46502-01
23	Thermocouple	233-46501-24	233-46501-24	233-46501-24
24	Kit-Heat Trap Insert	265-45420-00	265-45420-00	265-45420-00
	Kit-LP to NAT conversion (0ft to 2000ft)	265-53745-05	265-53745-07	265-53745-08
	Kit-LP to NAT conversion (2000ft to 5000ft)	265-53745-17	265-53745-19	265-53745-20



United States

Sales 1-800-523-2931
Technical Support 1-800-334-3393
Email techsupport@bradfordwhite.com
Warranty 1-800-531-2111
Email warranty@bradfordwhite.com
Service Parts 1-800-538-2020
Email parts@bradfordwhite.com

Canada

Sales 1-866-690-0961 1-905-203-0600
Fax 905-636-0666
Warranty 1-800-531-2111
Email warranty@bradfordwhite.com
Technical Support 1-800-334-3393
Email techsupport@bradfordwhite.com
Service Parts and Orders ca.orders@bradfordwhite.com

For U.S. and Canada field service, contact your professional installer or local Bradford White sales representative.

International

General Contact international@bradfordwhite.com