



RESIDENTIAL GAS REPLACEMENT PARTS LIST

Energy Saver Direct Fired CombiCor® (M2) Models



Models Covered:
M2C504T*(CX,EN)-12
M2C75T*(CX,CN)-12
*Denotes warranty year

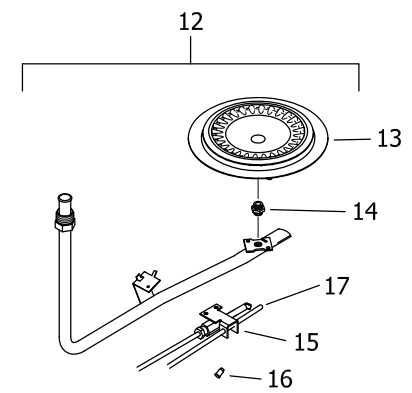
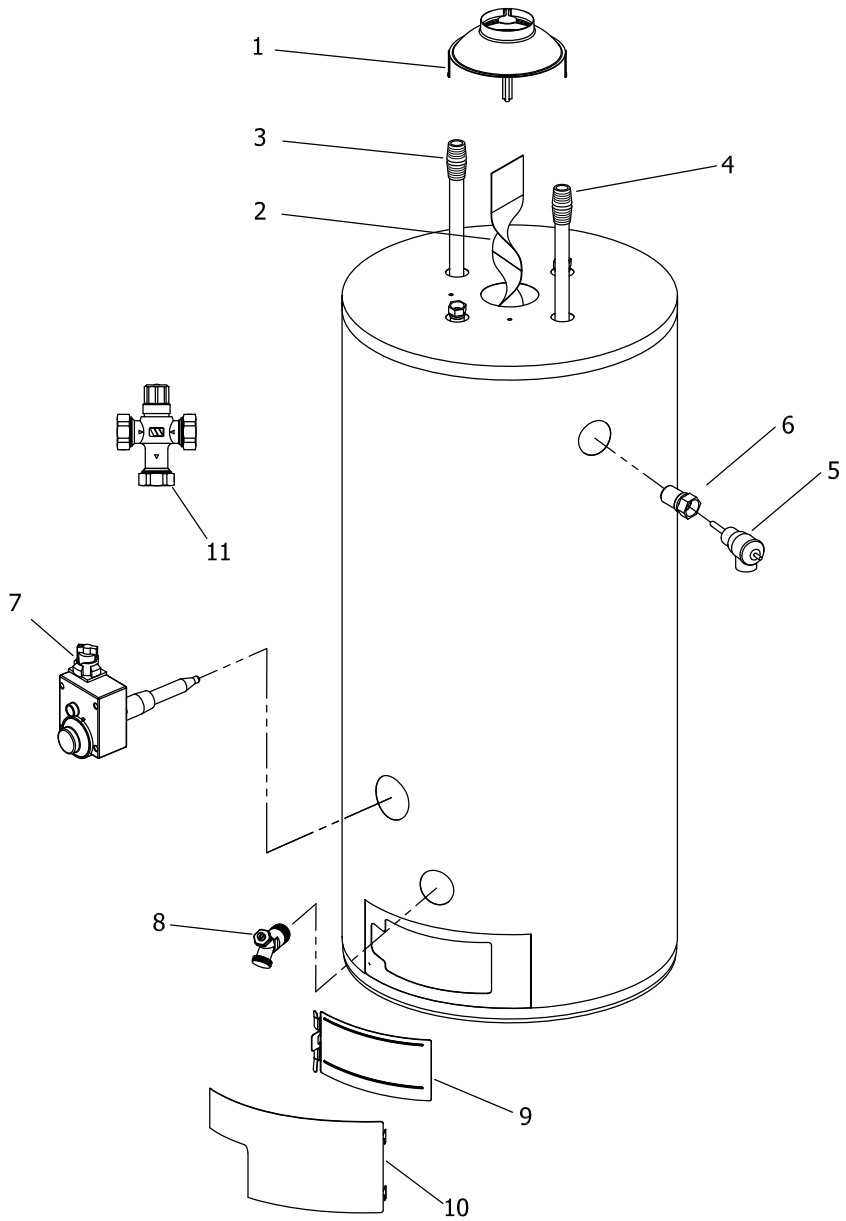
Effective: April, 2024
ECO 8780

**NOTE: BOTH MODEL AND SERIAL
NUMBERS ARE REQUIRED FOR
ORDERING REPLACEMENT PARTS**

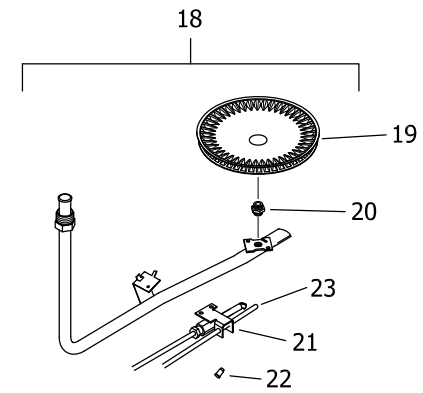
Dimensions and specifications
subject to change without notice.



As required by the state of California Proposition 65.



NATURAL GAS (BN) BURNER ASSEMBLY



LP GAS (SX) BURNER ASSEMBLY

LP GAS (SX) BURNER ASSEMBLY TO REPLACE
LP GAS (CX) BURNER ASSEMBLY ON ALL MODELS

Item	Description	Model	
		M2C504T*(CX,EN)-12	M2C75T*(CX,CN)-12
1	Draft Diverter	239-12950-00	239-12950-00
2	Flue Baffle	243-41037-00	243-47379-00
3	Hot Water Outlet Anode Magnesium #	415-55482-00	415-55482-00
	Hot Water Outlet Anode Aluminum #	415-55484-00	415-55484-00
	Hot Water Outlet Anode A420 Aluminum #	415-55486-00	415-55486-00
4	Cold Water Inlet Diptube	415-51230-16	415-51230-16
5	T&P Relief Valve	415-32920-01	415-32920-01
6	T&P Relief Valve Extender	229-19100-00	229-19100-00
7	Gas Valve Natural Gas	415-46365-02	415-46365-02
	Gas Valve LP Gas	415-46366-02	415-46366-02
8	Brass Drain Valve	415-42351-02	415-42351-02
9	Inner Door Complete (Sliding)	243-36739-02	243-39207-00
10	Outer Door	243-41061-00	243-37177-00
11	ASSE Approved Mixing Valve (Optional)	239-51778-00	239-51778-00

*All warranties

**Ordering a complete burner assy may increase delivery time. Please order the specific component req'd for the quickest delivery

#Anode may need to be cut to length.

Item	Description	Model	Model
		M2C504T*(CX,EN)-12	M2C75T*(CX,CN)-12
	Natural Gas (BN) Burner Assembly	(Replacement for Natural Gas (EN) Burner Assembly)	
12	Nat. Gas (BN) Burner Assembly Complete** ▲	265-47439-05-27	---
13	Nat. Gas (BN) Burner	228-42506-00	---
14	Nat. Gas (BN) Main Burner Orifice (0ft to 2000ft)	234-41034-27	---
	Nat. Gas (BN) High Altitude (2001ft to 5000ft)	234-41034-29	---
	Nat. Gas (BN) High Altitude (5001ft to 8000ft)	234-41034-30	---
	Nat. Gas (BN) High Altitude (8001ft & above)	234-41034-30	---
15	Nat. Gas Pilot Assembly	233-40248-05	---
16	Nat. Gas Pilot Orifice	234-46502-05	---
17	Thermocouple	415-46501-24	---
	LP Gas (SX) Titanium Stabilized Stainless Steel Burner Assembly	(Replacement for LP Gas (CX) Cast Iron Burner M2C504T Only)	
18	LP Gas (SX) Burner Assembly Complete** ▲	265-47440-08-43	---
19	LP Gas (SX) Burner	228-47000-00	---
20	LP Gas (SX) Main Burner Orifice (0ft to 2000ft)	234-47064-43	---
	LP Gas (SX) High Altitude (2001ft to 5000ft)	234-47064-46	---
	LP Gas (SX) High Altitude (5001ft to 8000ft)	234-47064-47	---
	LP Gas (SX) High Altitude (8001ft & above)	234-47064-47	---
21	LP Gas Pilot Assembly	233-40261-02	---
22	LP Gas Pilot Orifice	234-46502-02	---
23	Thermocouple	415-46501-24	---

*All warranties

**Ordering a complete burner assy may increase delivery time. Please order the specific component req'd for the quickest delivery

▲ Replace entire cast iron burner assembly with universal stainless steel burner assembly.

Reference Chart of Anode Length by Model

Model	AOD Anode Cut Length (End to end)	
	Inches	Millimeters
M2C504T*(CX,EN)-12	47.5	1207
M2C75T*(CX,CN)-12	47.5	1207



United States

Sales 1-800-523-2931
Technical Support 1-800-334-3393
Email techsupport@bradfordwhite.com
Warranty 1-800-531-2111
Email warranty@bradfordwhite.com
Service Parts 1-800-538-2020
Email parts@bradfordwhite.com

Canada

Sales 1-866-690-0961 1-905-203-0600
Fax 905-636-0666
Warranty 1-800-531-2111
Email warranty@bradfordwhite.com
Technical Support 1-800-334-3393
Email techsupport@bradfordwhite.com
Service Parts and Orders ca.orders@bradfordwhite.com

For U.S. and Canada field service, contact your professional installer or local Bradford White sales representative.

International

General Contact international@bradfordwhite.com