



Installation and Instruction Manual

Outdoor Vent Kit

Model LT199NXX1 / LT199PXX1
 LT199NRX1 / LT199PRX1
 RTGS199N1 / RTGS199X1
 RTGR199N1 / RTGR199X1

FOR YOUR SAFETY: This product must be installed and serviced by a professional service technician, qualified in hot water boiler and heater installation and maintenance. Improper installation and/or operation could create carbon monoxide gas in flue gases which could cause serious injury, property damage, or death. Improper installation and/or operation will void the warranty.

⚠ WARNING

If the information in this manual is not followed exactly, a fire or explosion may result causing property damage, personal injury or loss of life.

Do not store or use gasoline or other flammable vapors and liquids in the vicinity of this or any other appliance.

WHAT TO DO IF YOU SMELL GAS

- Do not try to light any appliance.
- Do not touch any electrical switch; do not use any phone in your building.
- Immediately call your gas supplier from a nearby phone. Follow the gas supplier's instructions.
- If you cannot reach your gas supplier, call the fire department.

Installation and service must be performed by a qualified installer, service agency, or gas supplier.

⚠ AVERTISSEMENT

Assurez-vous de bien suivre les instructions données dans cette notice pour réduire au minimum le risque d'incendie ou d'explosion ou pour éviter tout dommage matériel, toute blessure ou la mort.


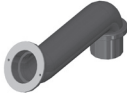



Ne pas entreposer ni utiliser d'essence ou ni d'autres vapeurs ou liquides inflammables dans le à proximité de cet appareil ou de tout autre appareil.




QUE FAIRE SI VOUS SENTEZ UNE ODEUR DE GAZ:

- Ne pas tenter d'allumer d'appareils.
- Ne touchez à aucun interrupteur. Ne pas vous servir des téléphones dans le bâtiment où vous vous trouvez.
- Appelez immédiatement votre fournisseur de gaz depuis un voisin. Suivez les instructions du fournisseur.
- Si vous ne pouvez rejoindre le fournisseur de gaz, appelez le service des incendies.

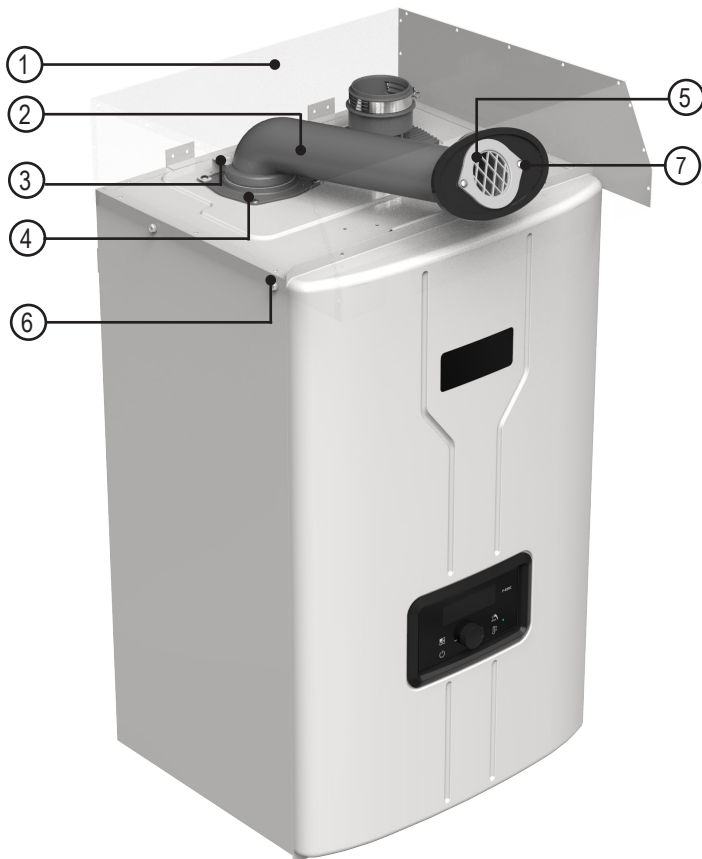
L'installation et l'entretien doivent être assurés par un installateur ou un service d'entretien qualifié ou par le fournisseur de gaz.

Included Items

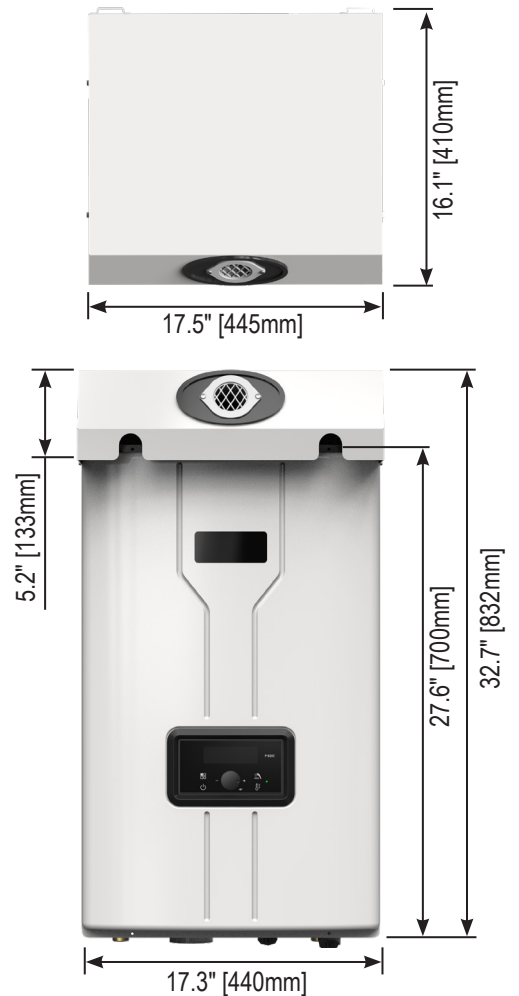
Part	Shape	Q'ty
① Outdoor Vent Cap (w/ Plate and Packing)		1
② Exhaust Pipe		1
③ Exhaust Pipe Retainer		1
④ VCK Exhaust Adapter (w/ P75 O-ring and Packing)		1
⑤ Bird Screen		1

Part	Shape	Q'ty
⑥ Hexagon Head with Flange Tapping Screw (M4 x12) (Outdoor Vent Cap)		4
⑦ Philips Head Tapping Screw (M4 x16) (Bird Screen)		2
Instruction Manual		1

Outdoor Kit Components



Outdoor Kit Dimension



Outdoor Installation Location

WARNING

Carefully consider installation when determining water heater location. Please read the entire installation manual and these instructions before attempting installation. Failure to properly take factors such as piping, condensate removal, venting, and wiring into account before installation could result in wasted time, money, and possible property damage, personal injury, or death.

The outdoor kit is meant for use in outdoor installations ONLY. DO NOT install the water heater with outdoor kit indoors. Installing the water heater with outdoor kit indoors will result in improper water heater operation and property damage, and WILL RESULT IN PERSONAL INJURY OR DEATH.

1. Outdoor Installation Area Operating Conditions.

- Prevent the air from becoming contaminated by the products, places, and conditions listed in the water heater installation manual.

WARNING

Incorrect ambient conditions can lead to damage to the heating system and put safe operation at risk. Ensure that the installation location adheres to the information included in this manual. Failure to do so could result in property damage, serious personal injury, or death. Failure of heater or components due to incorrect operating conditions IS NOT covered by product warranty.

The water heater must be installed as described in these instructions: Upright, with the supplied outdoor enclosure in the vertical position. DO NOT attempt to install the water heater in any other orientation. Failure to follow these instructions will result in improper water heater operation and property damage, and could result in serious personal injury or death.

2. Check for nearby connections to:

- System water piping
- Venting connections
- Gas supply piping
- Electrical power
- Condensate drain

Note:

The manufacturer reserves the right to make changes to the installation and instruction manual without notice.

CAUTION

Install the water heater where any leakage from the relief valve, related piping, or connections will not result in damage to surrounding areas, lower floors of the building, or pool on the ground and freeze.

The water heater should be located near a drain or piped to a drain. Leakage damages ARE NOT covered by warranty.

3. Check surroundings of water heater.

Remove any combustible materials, gasoline, and other flammable liquids.

WARNING

Failure to keep the water heater area clear and free of combustible materials, liquids, and vapors can result in substantial property damage, severe personal injury, or death.

4. If the water heater is to replace an existing heater, check for and correct any existing system problems, such as:

- System leaks
- Location that could cause the system and heater to freeze and leak
- Incorrectly sized expansion tank

5. Clean and flush system when installing a new water heater.

CAUTION

Do not connect the water heater to any heating systems or components that have been previously used for nonpotable applications. Do not introduce toxic chemicals, such as antifreeze or water heater treatments, into the water heater or any piping meant for potable purposes. Ensure that all piping and components connected to the water heater are suitable for potable water applications.

CAUTION

The water heater must be installed level in order for the condensate to properly flow out the collection system.

Installation Clearances

■ Outdoor Installation Clearances

[Table 1]

	Outdoor Installation
TOP	36" (914 mm)
BACK	1" (25.4 mm)
FRONT	24" (610 mm)
SIDE	4" (102 mm)
BOTTOM	12" (305 mm)

Note:

The outdoor enclosure for this appliance is approved for zero clearance to combustible construction.

If the water heater is installed in a narrow space or corner ensure that there is sufficient space for service.

In multiple water heater installations, ensure a minimum clearance of 32" from the top of one water heater to the bottom of the next water heater, and a minimum clearance of 4" from the side of water heater to the next water heater.

⚠ WARNING

Do not locate the water heater where exposed to prevailing winds.

Moisture will be produced by the exhaust vent. Take precautions when determining water heater location. Moisture may fall from the vent termination to the ground and turn to ice in freezing conditions. Moisture or ice can produce a hazardous condition.

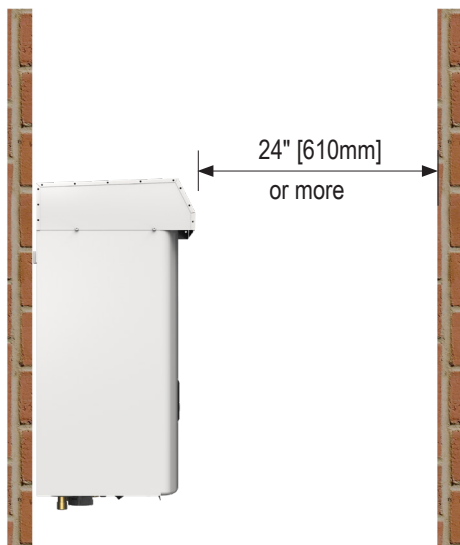
Exhaust condensate is acidic and could deteriorate the surface below the exhaust vent termination. Ensure this surface is in good repair (sealed, painted, etc.) to prevent deterioration. Failure to follow these instructions could result in substantial property damage, serious personal injury, or death.

■ Prevent Combustion Air Contamination

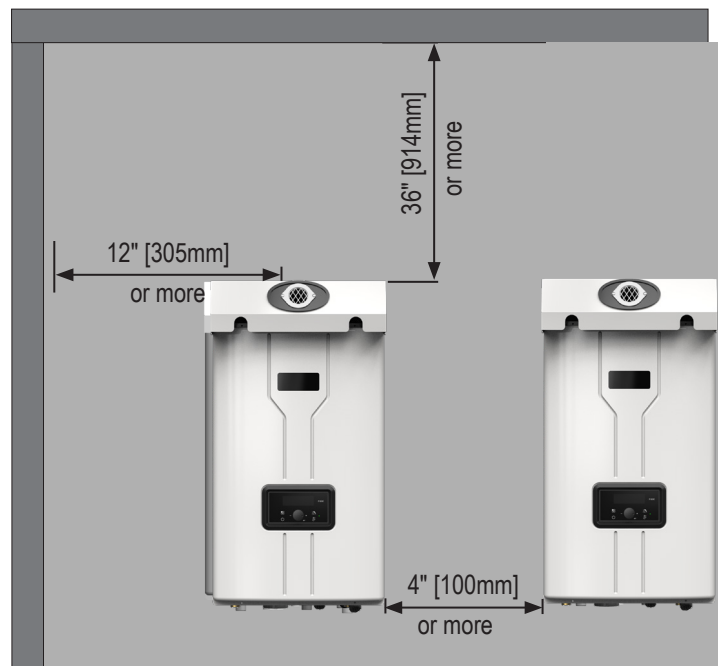
Do not install the outdoor water heater in locations that can allow contamination of fresh intake air.

Note:

See Table 2 to prevent combustion air contamination.



• Front Clearance from Wall



• Clearance from Wall and Ceiling

 **WARNING**

Ensure that the intake air will not contain any of the contaminants in Table 2. Contaminated air will damage the heater, resulting in possible substantial property damage, severe personal injury, or death. For example, do not pipe intake air near a swimming pool or laundry facilities. These areas always contain contaminants

[Table 2]

Products to Avoid		Areas Likely to Have Contaminants	
Spray cans containing fluorocarbons	Refrigerant leaks	Dry cleaning / laundry areas and establishments	Auto body shops
Permanent wave solutions	Paint or varnish removers	Swimming pools	Plastic manufacturing plants
Chlorinated waxes / cleaners	Hydrochloric or Muriatic acid	Metal fabrication plants	Furniture refinishing areas and establishments
Chlorine-based swimming pool chemicals	Cements and glues	Beauty shops	New building construction
Calcium chloride used for thawing Refrigeration	Antistatic fabric softeners used in clothes dryers	Refrigeration repair shops	Remodeling areas
Sodium chloride used for water softening	Chlorine-type bleaches, laundry detergents, and cleaning solvents	Photo processing plants	Garages and workshops
Adhesives used to fasten			

 **CAUTION**

DAMAGE TO THE HEATER CAUSED BY EXPOSURE TO CORROSIVE VAPORS IS NOT COVERED BY WARRANTY.
(Refer to the limited warranty for complete terms and conditions.)

■ Freeze Protection

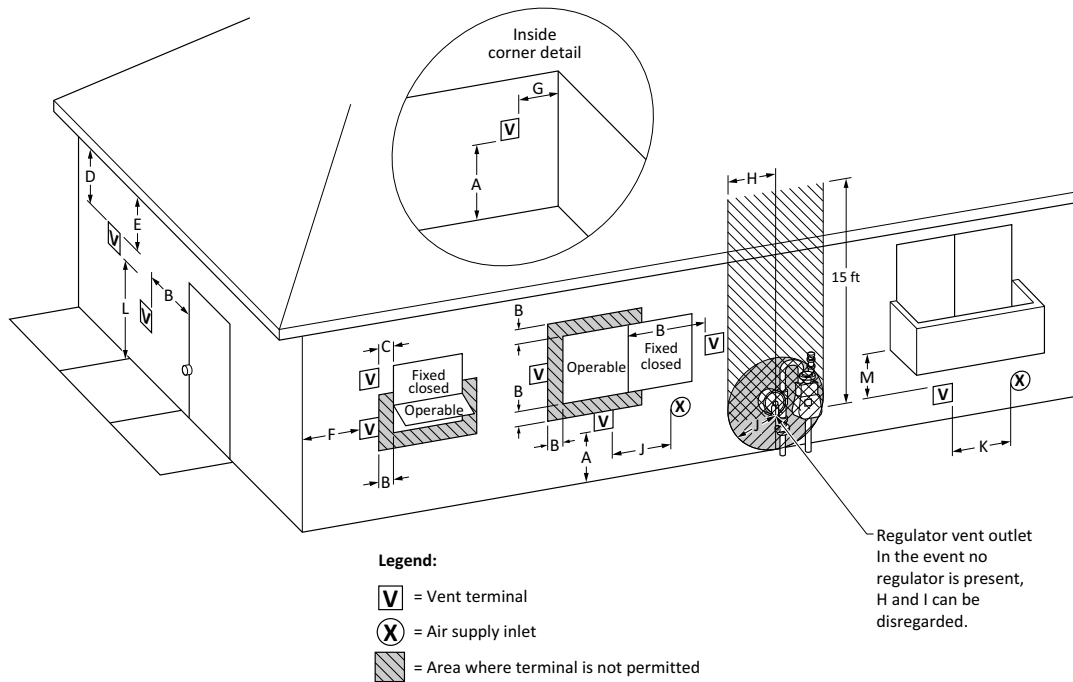
 **CAUTION**

This water heater is designed to automatically prevent freezing.
This freeze protection is not effective if the power fails. In order for freeze protection to operate, the water heater must have electrical power, gas, water and the main switch must be on.

Note:

Damages resulting from incorrect installation or from use of products not approved by the manufacturer ARE NOT covered by warranty.

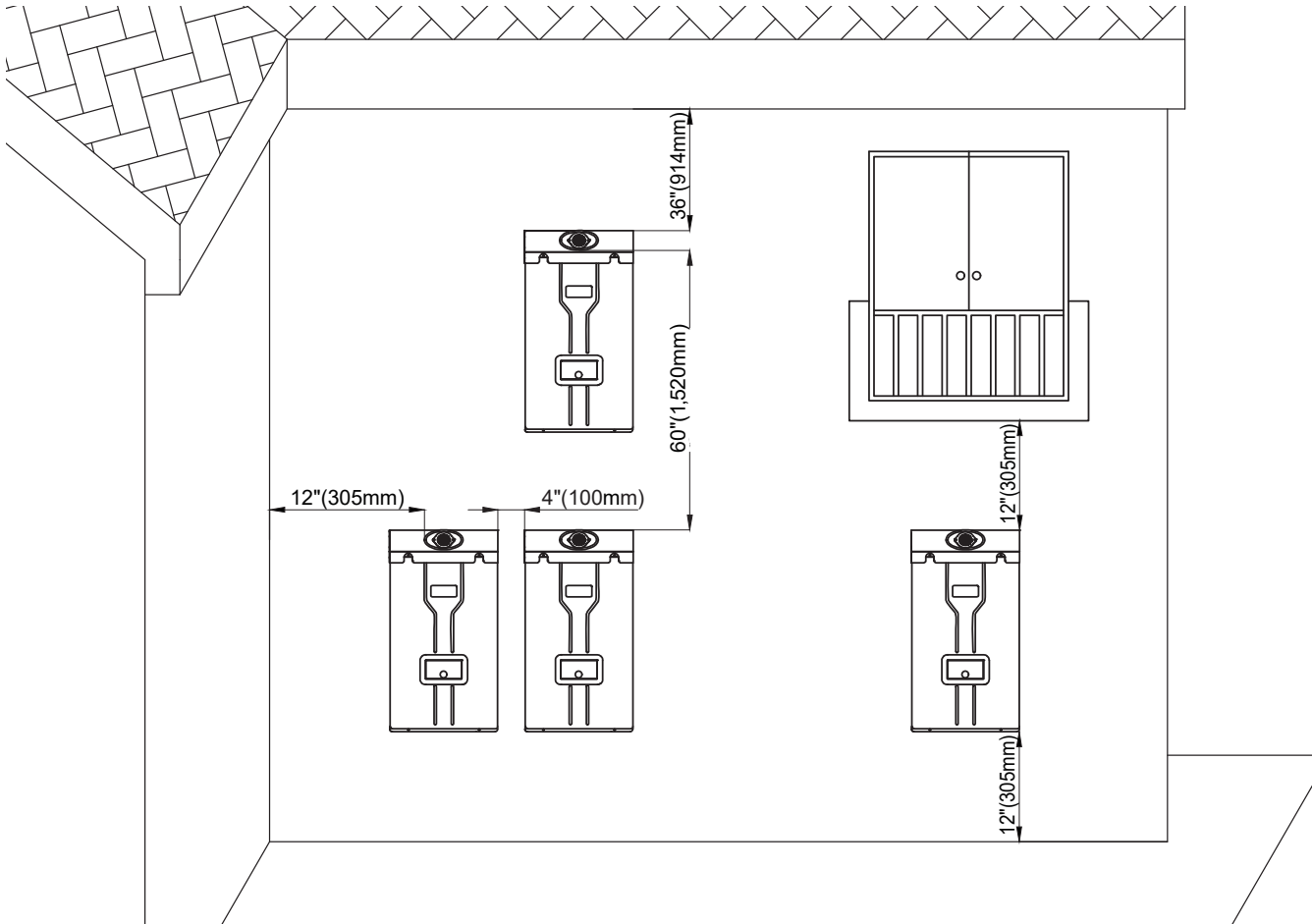
Clearance Requirements from Vent Terminations to Building Openings



■ Non-Direct Venting (Single Pipe) Clearances

	Description	US Non-Direct	Canadian Non-Direct
A =	Clearance above grade, veranda, porch, deck, or balcony	12 in (30 cm)	12 in (30 cm)
B =	Clearance to window or door that may be opened	48 in (120 cm) below or to side of opening; 12 in (30 cm) above opening	36 in (91 cm)
C =	Clearance to permanently closed window	*	*
D =	Vertical clearance to ventilated soffit located above the terminal within a horizontal distance of 2 feet from the center line of the termina	*	*
E =	Clearance to unventilated soffit	*	*
F =	Clearance to outside corner	*	*
G =	Clearance to inside corner	*	*
H =	Clearance to each side of center line extended above meter / regulator assembly	*	36 in (91 cm) within a height 15 ft (4.57 m) above the meter/ regulator assembly
I =	Clearance to service regulator vent outlet	*	36 in (91 cm)
J =	Clearance to non-mechanical air supply inlet to building or the combustion air inlet to any other appliance	48 in (120 cm) below or to side of opening; 12 in (30 cm) above opening	36 in (91 cm)
K =	Clearance to a mechanical air supply inlet	36 in (91 cm) above if within 10 ft (3 m) horizontally	6 ft (1.83 m)
L =	Clearance above paved sidewalk or paved driveway located on public property	*	7 ft (2.13 m)
M =	Clearance under veranda, porch, deck or balcony	*	12 in (30 cm)

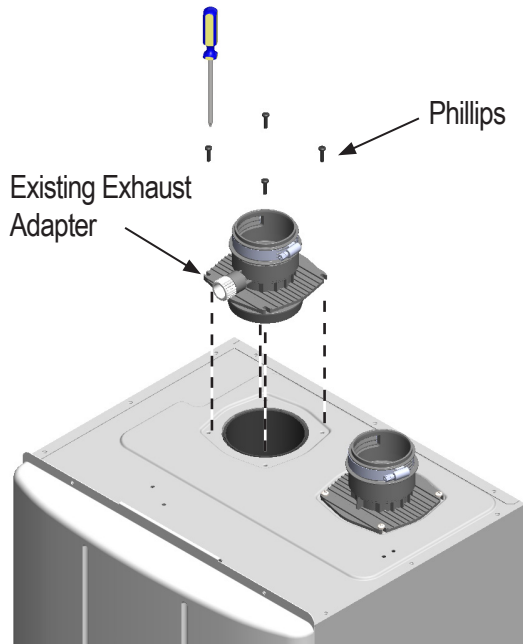
Additional Clearance



Descriptions	Minimum Distances
Clearance to ventilated or unventilated soffit or eve vent	36" (914 mm)
Clearance between vertical vents	60"(1,520mm)
Clearance to inside corner	12" (305 mm)
Clearance between horizontal water heaters	4" (100 mm)
Clearance under veranda, porch deck, or balcony.	12" (305 mm)
Clearance above ground	12" (305 mm)

Installing the Outdoor Enclosure

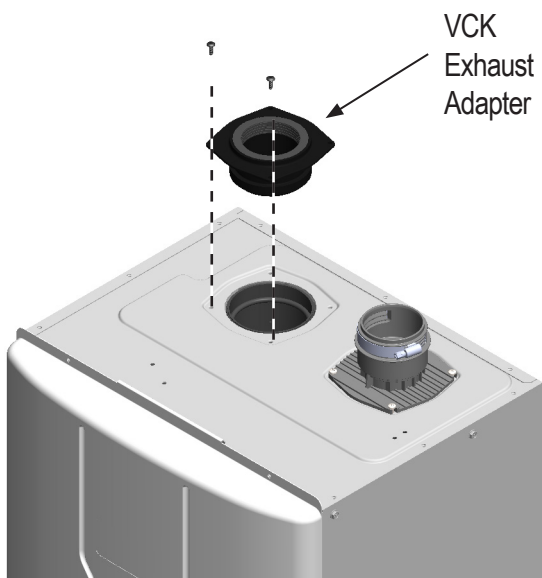
1. Remove the Existing Exhaust Adapter by removing the 4 screws and pulling up on the adapter.



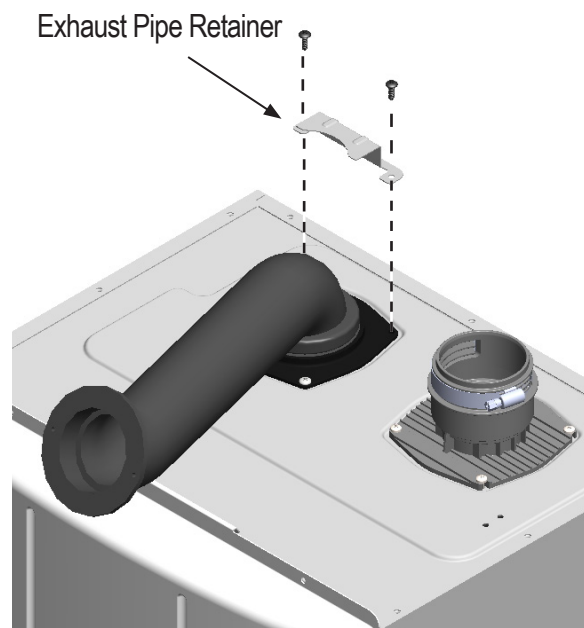
3. Insert the Exhaust Pipe into the VCK Exhaust Adapter.



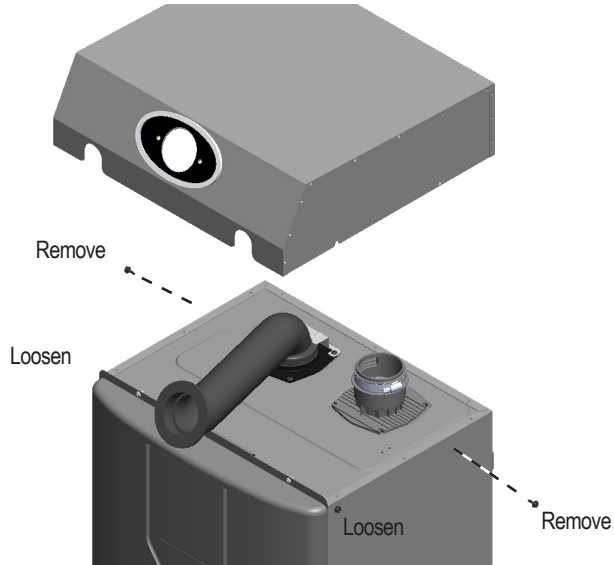
2. Insert the VCK Exhaust Adapter and secure the front 2 screws (re-use the 2 screws that were removed in Step 1)



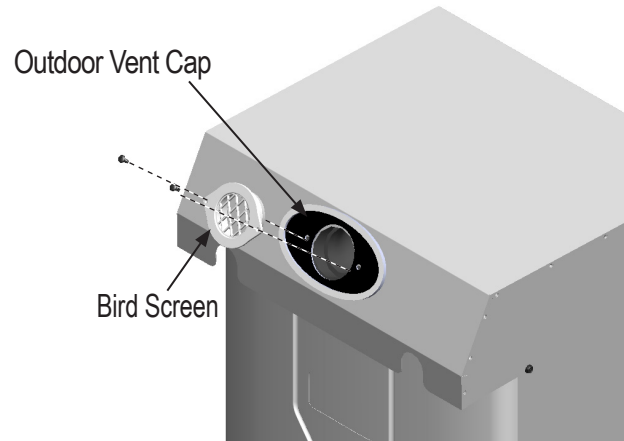
4. Install the Exhaust Pipe Retainer using 2 screws (re-use the 2 screws that were removed in Step 1), securing the Exhaust Pipe in place.



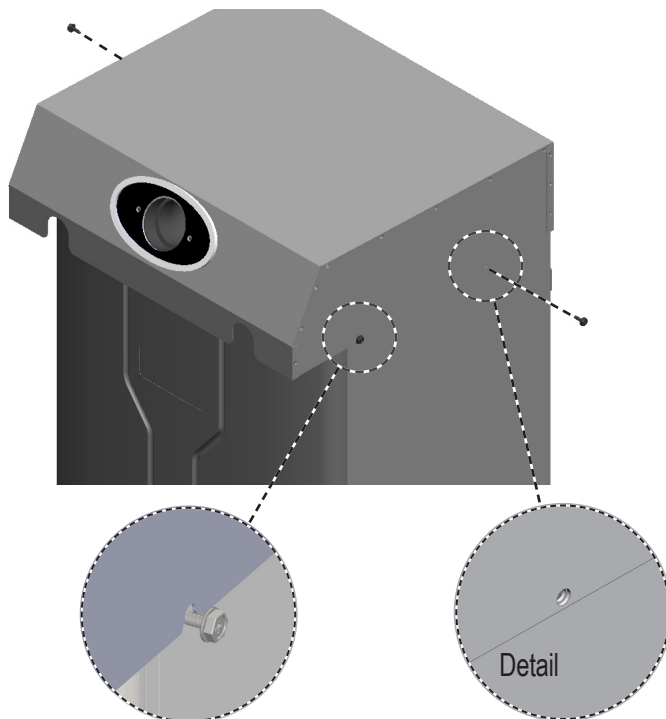
5. Use a Phillips screwdriver to loosen front 2 hex head screws and to remove back 2 hex head screws on side of the unit. Place the Outdoor Vent Cap on the unit. Make sure the gasket is applied inside of the Outdoor Vent Cap.



7. Insert the Bird Screen into the Exhaust Pipe and secure with 2 screws [⑦ Philips Head Tapping Screw (M4 x16)] to the Outdoor Vent Cap.



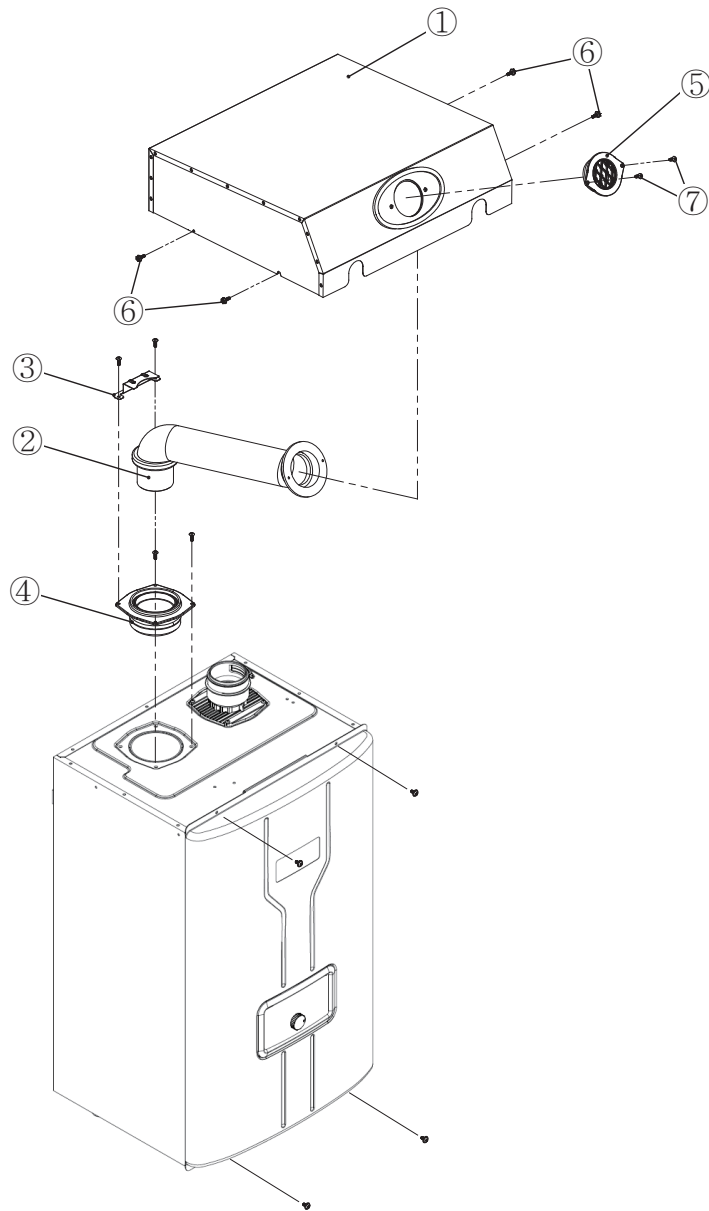
6. Use a Phillips screwdriver to tighten the 4 screws [⑥ Hexagon Head with Flange Tapping Screw (M4 x12)] to secure the Outdoor Vent Cap.



⚠ CAUTION

Do not overtighten. Use hand screwdrivers only.

Part List



No.	Description	Part Number	No.	Description	Part Number
①	Outdoor Vent Cap (w/ Plate and Packing)		⑤	Bird Screen with Finishing	
②	Exhaust Pipe		⑥	Hexagon Head with Flange Tapping Screw (M4 x12)	
③	Exhaust Pipe Retainer		⑦	Philips Head Tapping Screw (M4 x16)	
④	VCK Exhaust Adapter (w/ P75 O-ring and Packing)				

