

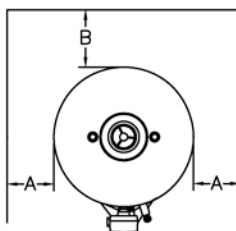
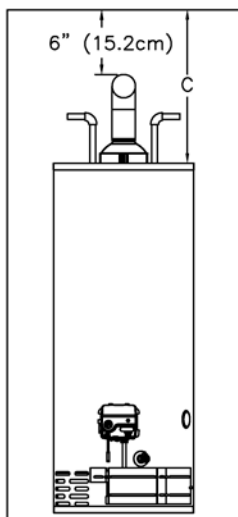
# 75 GALLON ULTRA LOW NO<sub>x</sub> SUPPLEMENT TO INSTRUCTION MANUAL P/N 238-51007-00 MINIMUM CLEARANCES (Replaces pg. 8 in instruction manual)

## ⚠ WARNING

**Failure to adhere to these installation and operating instructions may create a hazard to life and property and will nullify the warranty.**

This installation must allow access to the front of the water heater and adequate clearance must be provided for servicing and operating this water heater. The water heater may be installed on either a combustible or non-combustible floor. If the water heater is to be installed directly on carpeting, it must be installed on top of a metal or wood panel (or equivalent) extending beyond the full width and depth of the appliance by at least three (3) inches (7.6 cm) in any direction or, if the appliance is to be installed in an alcove or closet, the entire floor must be covered by the panel. **If the rating plate or the label on the front of the water heater specifies minimum clearances less than those listed in the below table, the water heater may be installed in accordance with the minimum clearances listed on the rating plate or the label on the front of the water heater.**

If it is necessary to install this water heater in an alcove, use the clearances listed in the following table and Figure 1.



Minimum Clearances from  
Combustible Materials for Alcove  
Installation

A	0" (0.0cm)
B	0" (0.0cm)
C	16" (40.6 cm)
VENT	6" (15.2cm)

**Figure 1**

# LIGHTING & SHUTDOWN INSTRUCTIONS FOR HONEYWELL GAS CONTROLS. (Replace pg. 18-19 in instruction manual)

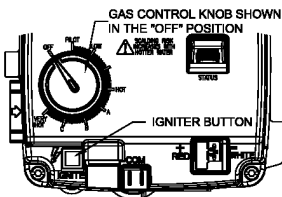
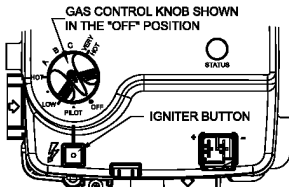
## FOR YOUR SAFETY READ BEFORE LIGHTING

**WARNING:** If you do not follow these instructions exactly, a fire or explosion may result causing property damage, personal injury or loss of life.

- A. This appliance has a pilot which is lit by an electric spark gas ignition system. Do not open the inner door and attempt to light the pilot by hand.
- B. **BEFORE LIGHTING** smell all around the appliance area for gas. Be sure to smell next to the floor because some gas is heavier than air and will settle on the floor.  
**WHAT TO DO IF YOU SMELL GAS.**
  - \* Do not try to light any appliance.
  - \* Do not touch any electric switch; do not use any phone in your building.
  - \* Immediately call your gas supplier from a neighbor's phone. Follow the gas supplier's instructions.
  - \* If you cannot reach your gas supplier, call the fire department.
- C. Use only your hand to push in or turn the gas control knob. Never use tools. If the knob will not push in or turn by hand, don't try to repair it, call a qualified service technician. Force or attempted repair may result in a fire or explosion.
- D. Do not use this appliance if any part has been under water. Immediately call a qualified service technician to inspect the appliance and to replace any part of the control system and any gas control which has been under water.

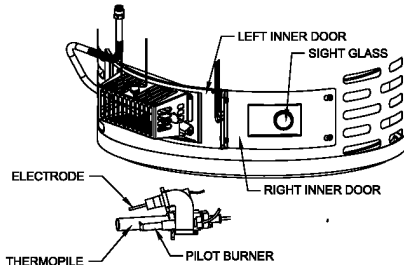
## LIGHTING INSTRUCTIONS

1. STOP! Read the safety information above.
2. Set the gas control knob to the "OFF" position.



3. Wait five (5) minutes to clear out any gas. Then smell for gas, including near the floor. If you smell gas, STOP! Follow "B" in the safety information above. If you don't smell gas, go to the next step.
4. Remove outer door.
5. Locate igniter button.
6. Look into sight glass window on right inner door to view pilot.

7. Turn the gas control knob clockwise to "PILOT" position.
8. Depress and hold in gas control knob. Immediately press igniter button until you hear a "click" sound, then release. Continue to hold down the gas control knob for about one (1) minute after the pilot is lit. Release the gas control knob it should pop back out. Check to see if the pilot is still lit through the sight glass. If the pilot goes out, repeat steps 2 through 8.
  - If gas control knob does not pop out when released, stop and immediately call your service technician or gas supplier.
  - If the pilot will not stay lit after several tries, turn the gas control knob to "OFF" and call your technician or gas supplier.



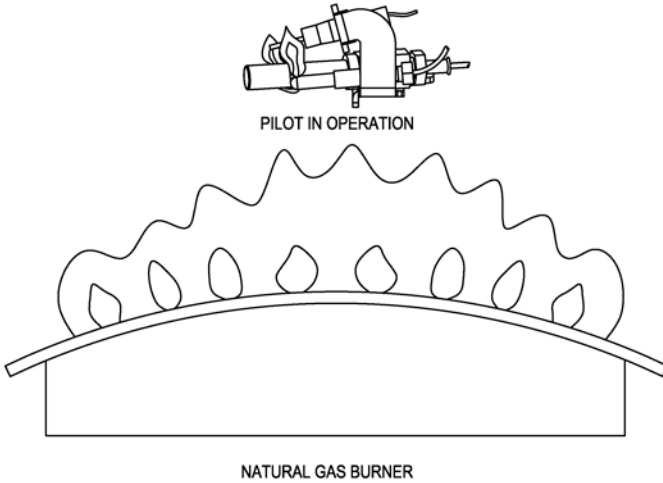
9. Replace outer door.
10. Turn gas control knob to desired setting.

## TO TURN OFF GAS TO APPLIANCE

1. Turn the gas control knob counterclockwise to the "OFF" position.

## **BURNER FLAME CHECKS** **(Replaces pg. 22 of instruction manual)**

These models are equipped with self-adjusting air mixture and do not have an adjustable air shutter. At periodic intervals, a visual check of the main burner and pilot flames should be made to determine if they are burning properly. The main burner flame should light smoothly from the pilot. The burner flame should be soft and undefined. After five minutes of burner operation the burner face should be glowing orange and emitting an orange flame.



**Figure 6**

***(Replaces pg. 28 of instruction manual)***

**Manufactured under one or more of the following U.S. Patents:  
5,277,171; 5,341,770; 5,372,185; 5,485,879; 5,574,822; 5,596,952;  
5,660,165; 5,682,666; 5,761,379; 5,943,984; 5,954,492; 5,988,117;  
6,056,542; 6,142,216; 6,442,178; 6,684,821; 6,935,280; 7,063,132;  
7,063,133; 7,007,748; 7,270,087; 7,334,419; 7,337,517; 7,409,925;  
7,458,341; 7,559,293; 7,621,238; 7,634,976; 7,650,859; 7,665,210;  
7,665,211; 7,699,026; 7,866,168; 7,900,589; 7,971,560; 7,992,526  
8,082,888; 8,146,772; Other U.S. and Foreign patent applications  
pending. Current Canadian Patents: 2,092,105; 2,107,012; 2,108,186;  
2,112,515; 2,143,031; 2,239,007; 2,262,174; 2,314,845; 2,409,271;  
2,476,685; 2,504,824; 2,548,958**

Complete the following information and retain for future reference:

Model No: \_\_\_\_\_

Serial No: \_\_\_\_\_

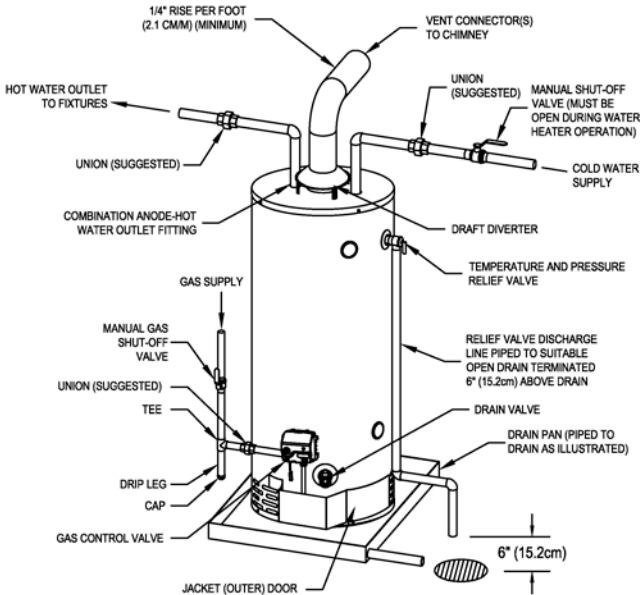
Service Phone

Days: \_\_\_\_\_ Nights: \_\_\_\_\_

Address: \_\_\_\_\_

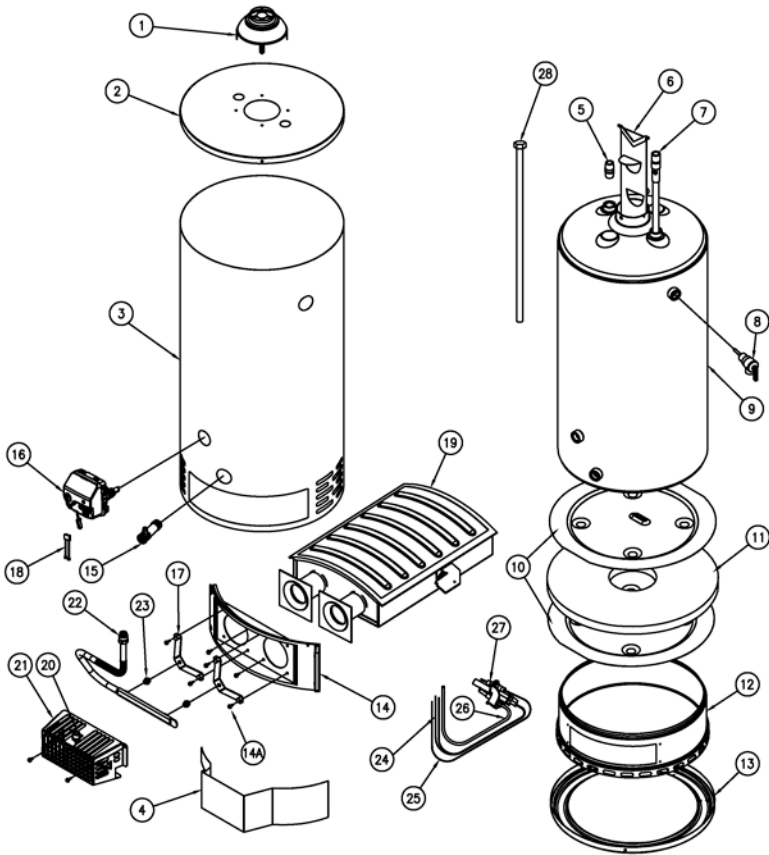
Supplier: \_\_\_\_\_

Supplier Phone No: \_\_\_\_\_



**Figure 7**

## PARTS LIST AND DRAWING (Replaces pg. 29 of instruction manual)

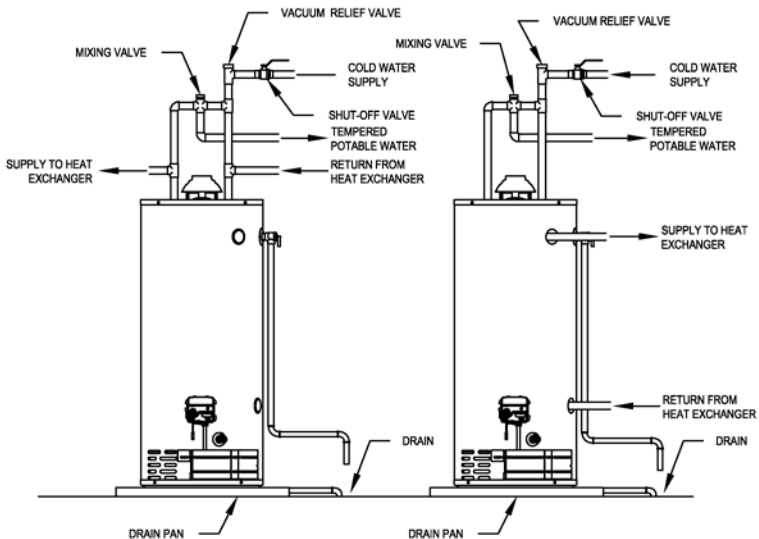


PART NAME AND DESCRIPTION	
1. Draft Diverter	15. Drain Valve
2. Jacket Head Pan	16. Gas Control Valve
3. Jacket	17. Manifold Bracket
4. Outer Door	18. Re-Settable Thermal Switch Wire Harness
5. Nipple-Hot Water Outlet	19. Burner Assembly
6. Flue Baffle Assembly	20. Re-settable Thermal Switch
7. Dip Tube-Cold Water Inlet	21. Burner Assembly Cover
8. Temperature and Pressure Relief Valve	22. Gas Feedline
9. Glass Lined Tank	23. Orifice
10. Heat Radiation Shield	24. Thermopile Wire
11. Foam Insulation	25. Igniter Wire
12. Combustion Chamber Assembly	26. Pilot Gas Feedline
13. Jacket Base Pan	27. Pilot Assembly
14. Inner Door Assembly	28. Magnesium Anode-Hex Head
14A. #8 x 3/4 screw	

**THE FOLLOWING INSTRUCTIONS ARE FOR INSTALLATION OF:  
GAS WATER HEATERS SUITABLE FOR WATER (POTABLE)  
HEATING AND SPACE HEATING  
(Replaces pg. 30 of instruction manual)**

1. All piping components connected to this water heater for space heating applications must be suitable for use with potable water. In Massachusetts, space heating piping length **must not** exceed 50 feet.
2. Toxic chemicals, such as those used for boiler treatment, **must not** be introduced into potable water used for space heating.
3. This water heater **must not** be connected to an existing heating system or component(s) previously used with a non-potable water heating appliance.
4. When the system requires water for space heating at temperatures higher than required for other uses, a means such as an ASSE approved mixing valve shall be installed to temper the water for those uses in order to reduce scald hazard potential.

Please refer to the illustrations below for the suggested piping arrangement.



## NOTES

## NOTES